



US00D920708S

(12) **United States Design Patent**  
**Scott**

(10) **Patent No.:** **US D920,708 S**

(45) **Date of Patent:** **\*\* Jun. 1, 2021**

(54) **HAMMOCK**

(71) Applicant: **Sport Squad, Inc.**, Rockville, MD (US)

(72) Inventor: **Greg Scott**, Lewisburg, PA (US)

(73) Assignee: **Sport Squad, Inc.**, Rockville, MD (US)

(\*\*) Term: **15 Years**

(21) Appl. No.: **29/684,994**

(22) Filed: **Mar. 25, 2019**

(51) **LOC (13) Cl.** ..... **06-02**

(52) **U.S. Cl.**  
USPC ..... **D6/385**

(58) **Field of Classification Search**  
USPC ..... D6/348, 361, 385–387, 718.1, 718.11,  
D6/718.12  
CPC ..... A45F 3/22; A45F 3/24; A45F 3/26; A47C  
3/029; A63B 9/00; A63B 9/006  
See application file for complete search history.

(56) **References Cited**

**U.S. PATENT DOCUMENTS**

- 1,979,716 A \* 11/1934 Terry ..... A63B 22/0076  
482/72
- D151,675 S \* 11/1948 Bird ..... D6/348
- D168,270 S \* 11/1952 Lamb ..... D6/348
- D168,342 S \* 12/1952 Goldberg ..... D6/361
- 2,768,828 A \* 10/1956 Pack ..... A63B 9/00  
482/35
- D185,563 S \* 6/1959 Parker ..... D6/385
- 2,983,930 A \* 5/1961 Porritt ..... A61G 13/009  
5/110
- D205,978 S \* 10/1966 Zavodny ..... D24/183
- D229,599 S \* 12/1973 Westrich ..... D6/387
- 4,919,481 A \* 4/1990 Garabedian ..... A47C 3/029  
297/271.6
- 4,997,234 A \* 3/1991 Royle ..... A47C 3/029  
297/271.6
- D361,107 S \* 8/1995 Meyer ..... D21/688
- D461,329 S \* 8/2002 Liu ..... D6/387

- D503,551 S \* 4/2005 Caldwell ..... D6/348
  - 7,011,373 B1 \* 3/2006 Hsieh ..... A47C 3/029  
297/452.17
  - 7,213,277 B1 \* 5/2007 Hsieh ..... A47C 3/029  
5/101
  - 7,276,033 B2 \* 10/2007 Phillips ..... A61H 1/003  
601/23
  - 7,553,261 B2 \* 6/2009 Carbone ..... A63B 22/0076  
482/51
  - 7,951,056 B2 \* 5/2011 Radzwill ..... A63B 21/154  
482/142
  - D848,193 S \* 5/2019 Furuland ..... D6/718
- (Continued)

**OTHER PUBLICATIONS**

Waikiki Lounge Chair by Walter Lamb, artsy.net, dated 1950s, site visited Jul. 24, 2020, available online at <https://www.artsy.net/artwork/walter-lamb-pair-of-waikiki-lounge-chairs-no-c4720-usa> (Year: 1950).\*

*Primary Examiner* — Mary Ann Calabrese  
*Assistant Examiner* — Katelin G Kloberg  
(74) *Attorney, Agent, or Firm* — Muskin and Farmer LLC

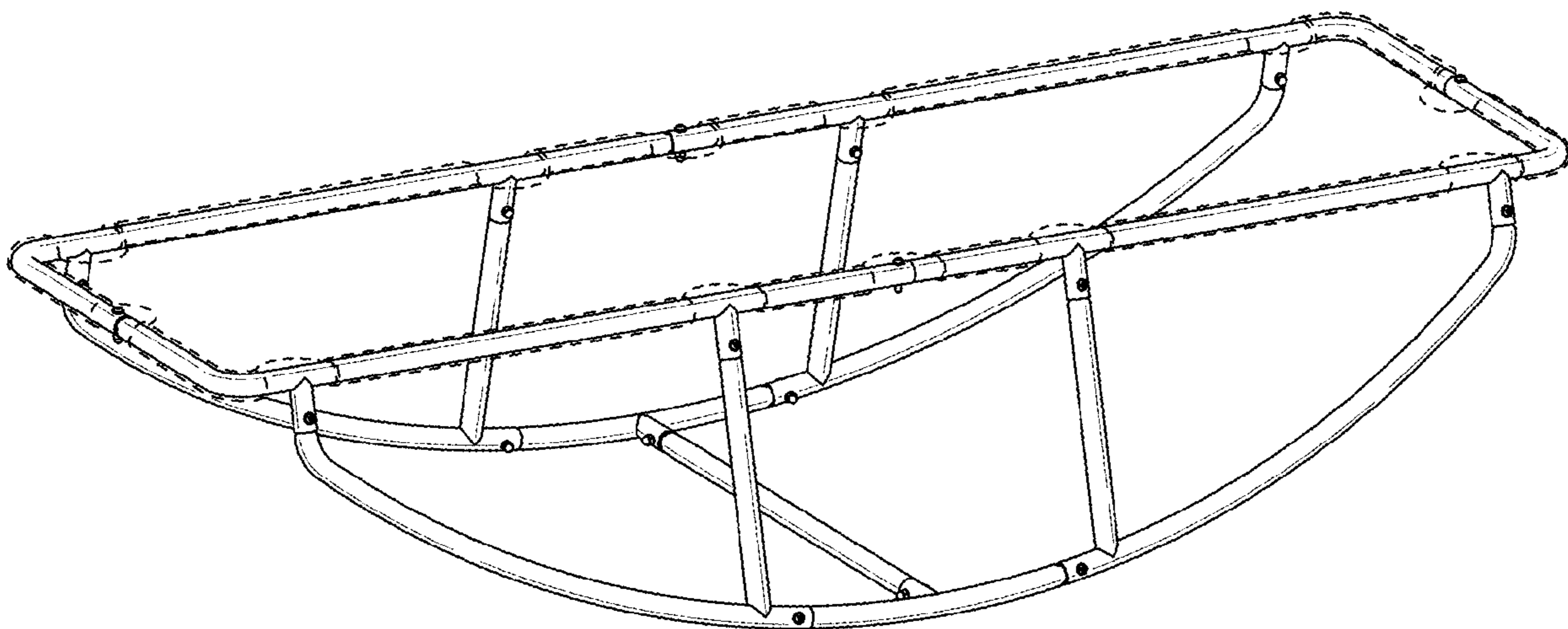
(57) **CLAIM**

The ornamental design for a hammock, as shown and described.

**DESCRIPTION**

FIG. 1 is an orthographic view of a hammock showing my new design;  
FIG. 2 is a front view of the new design;  
FIG. 3 is a right side view of the new design;  
FIG. 4 is a rear view of the new design;  
FIG. 5 is a left side view of the new design;  
FIG. 6 is a top view of the new design; and,  
FIG. 7 is a bottom view of the new design.  
The broken lines in the drawings illustrate portions of the hammock that form no part of the claimed design.

**1 Claim, 3 Drawing Sheets**



(56)

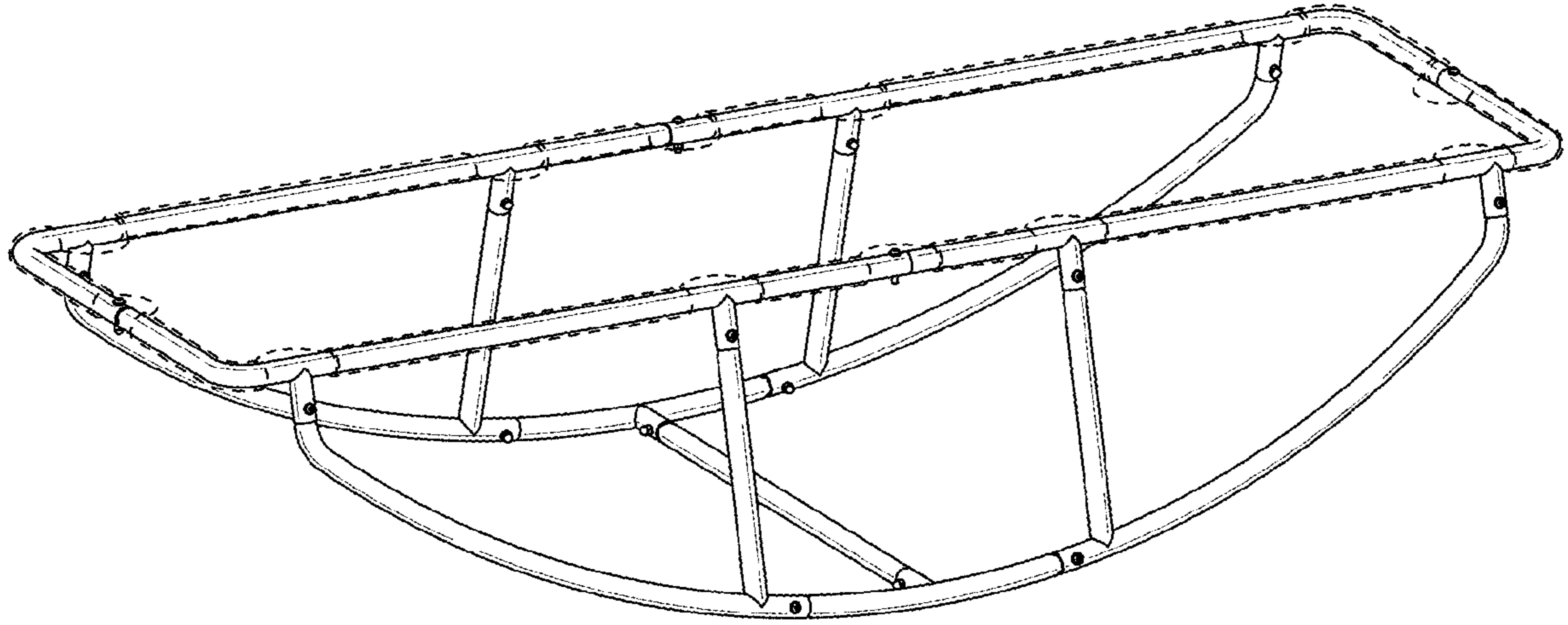
**References Cited**

U.S. PATENT DOCUMENTS

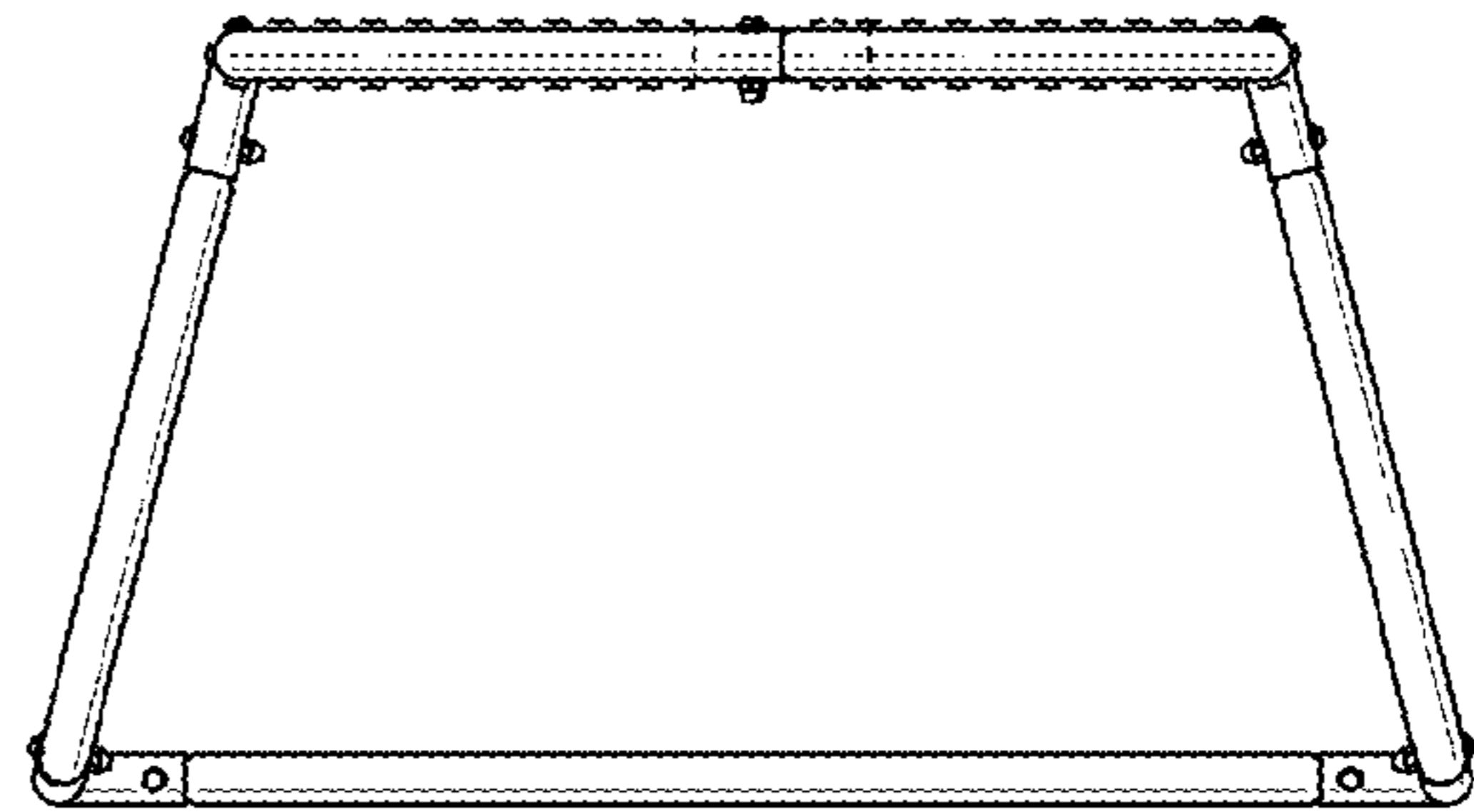
2007/0094793 A1\* 5/2007 Hsieh ..... A47C 3/029  
5/120  
2008/0217976 A1\* 9/2008 Habing ..... A47C 3/03  
297/270.1  
2011/0173748 A1\* 7/2011 Chu ..... A45F 3/24  
5/129  
2018/0055200 A1\* 3/2018 Fries ..... A45F 3/24

\* cited by examiner

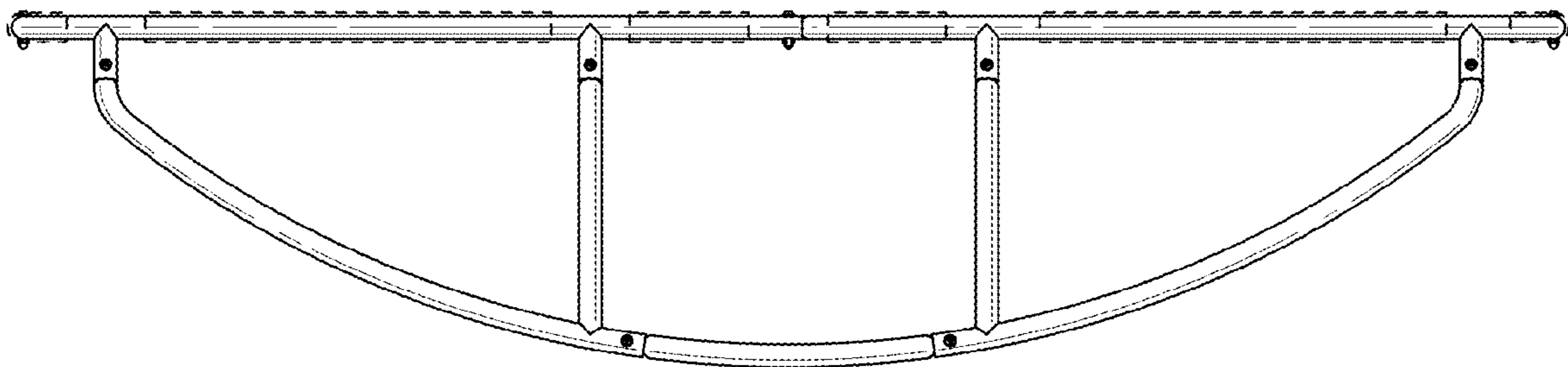
**FIG. 1**



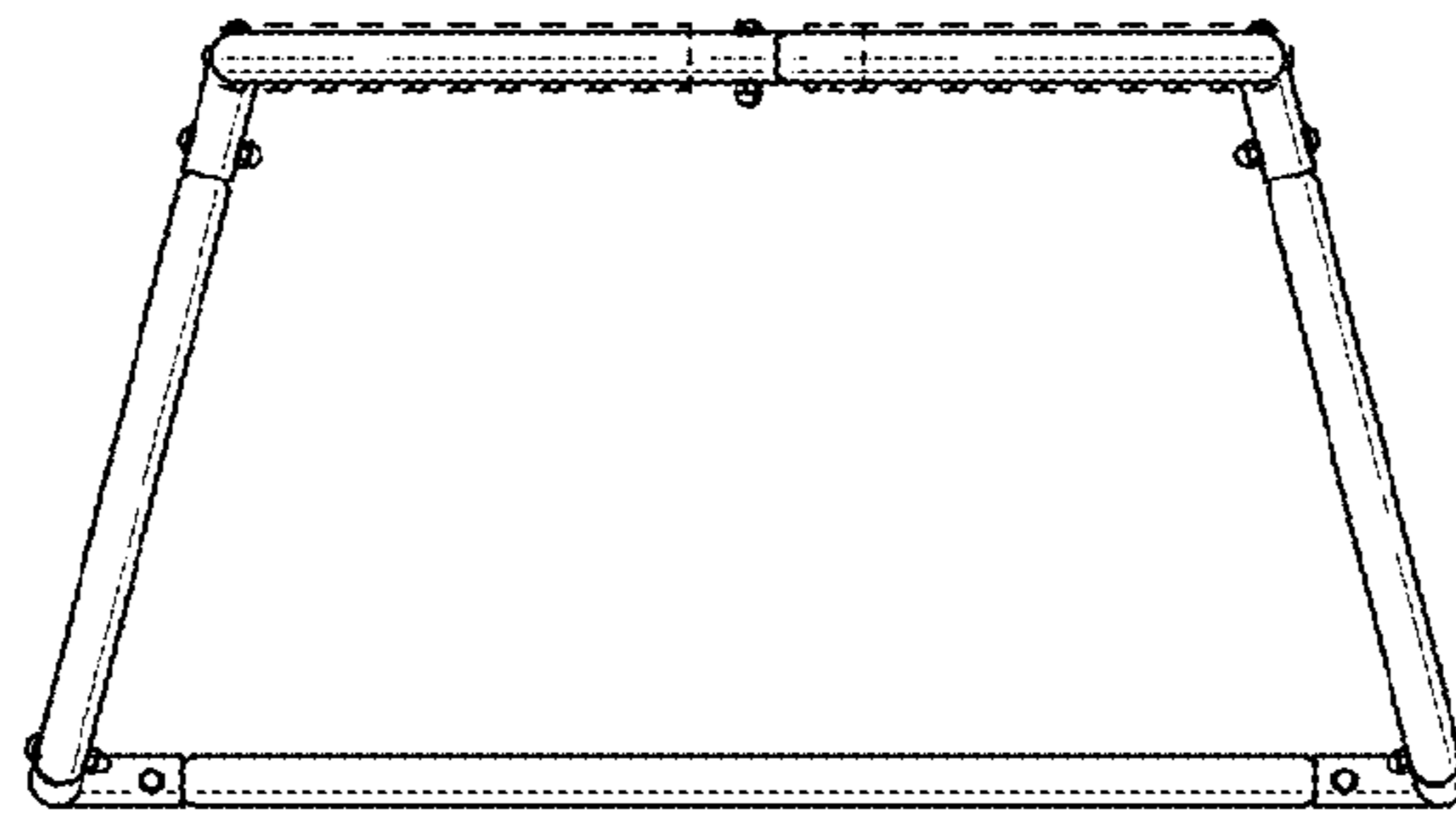
**FIG. 2**



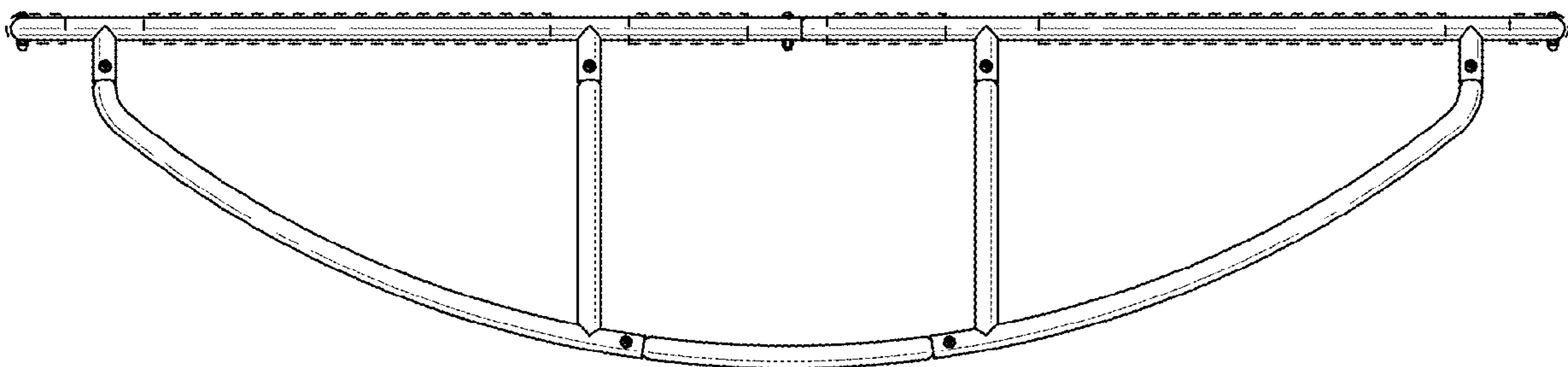
**FIG. 3**



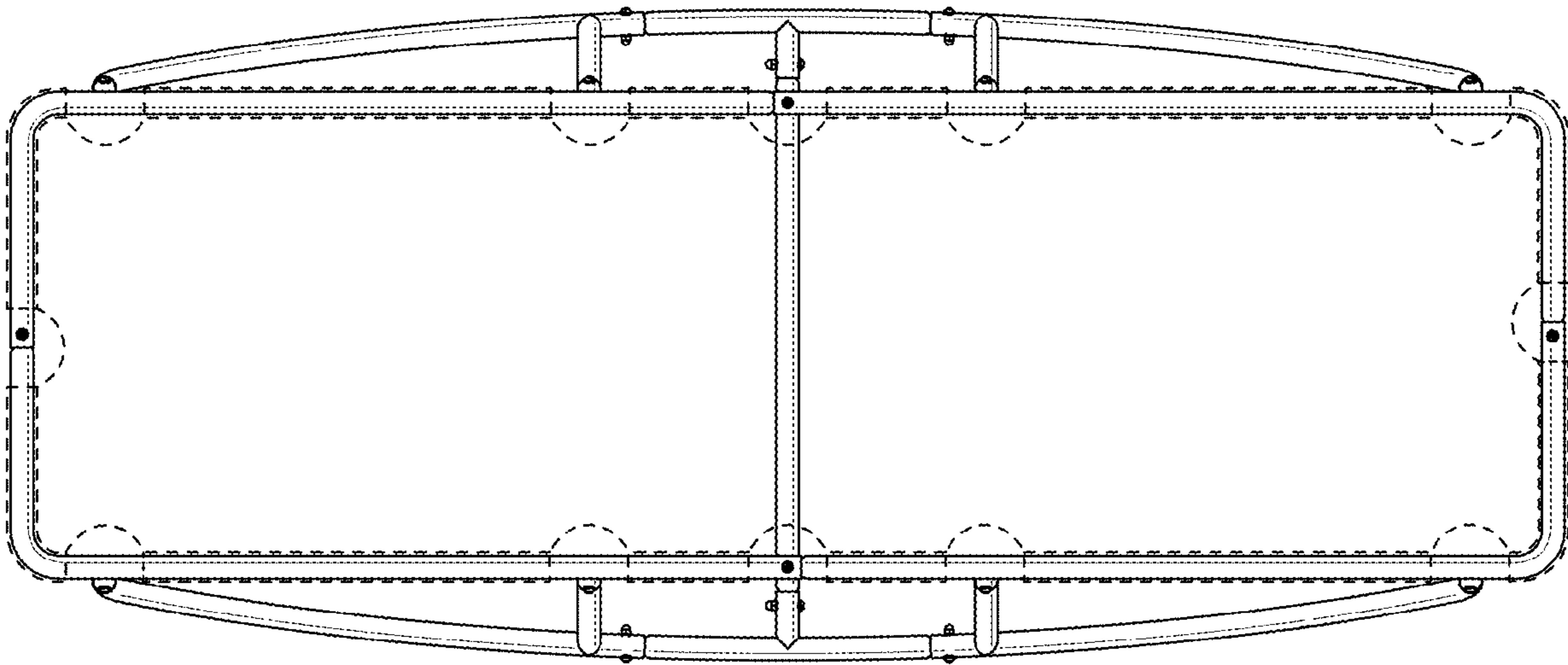
***FIG. 4***



***FIG. 5***



***FIG. 6***



***FIG. 7***

