



US00D920701S

(12) **United States Design Patent**  
**Li**

(10) **Patent No.:** **US D920,701 S**  
(45) **Date of Patent:** **\*\* Jun. 1, 2021**

(54) **CHAIR**

(71) Applicant: **HOMY CASA LIMITED**, Hong Kong (HK)

(72) Inventor: **YueHai Li**, Guangzhou (CN)

(73) Assignee: **HOMY CASA LIMITED**, Hong Kong (HK)

(\*\*) Term: **15 Years**

(21) Appl. No.: **29/697,676**

(22) Filed: **Jul. 10, 2019**

(51) **LOC (13) Cl.** ..... **06-01**

(52) **U.S. Cl.**  
USPC ..... **D6/374**

(58) **Field of Classification Search**  
USPC ..... D6/333, 334, 341, 348, 349, 350, 352, D6/353, 360, 364, 369, 370, 371, 373, D6/374, 375, 376, 377, 379, 380, 390, D6/677, 692, 700, 708, 708.16, 716, 363; D16/237; D21/412, 419, 521

CPC ..... A47C 1/124; A47C 3/34; A47C 4/028; A47C 4/02; A47C 5/12; A47C 5/125; A47C 7/506; A47C 9/007; A47C 13/005; A47C 13/023; A47C 31/113; B60R 2/0284; B60R 2/062; B60R 22/001; B60R 22/24; B60R 22/28; B60R 22/58; B60R 22/64; B60R 22/68; B60R 22/80; B60R 22/99; B60R 22/245; B60R 22/643; B60R 22/646; B60R 22/665; B60R 22/686; B60R 22/688; B60R 22/803; B60R 22/986; B60R 22/914; B60R 22/995

See application file for complete search history.

(56) **References Cited**

**U.S. PATENT DOCUMENTS**

D140,583 S \* 3/1945 Brunetti ..... D21/521  
D181,559 S \* 11/1957 Van Derweel ..... D6/334

D182,591 S \* 4/1958 Hirtle ..... D6/374  
D183,455 S \* 9/1958 Gould ..... D6/374  
D192,029 S \* 1/1962 Avedon ..... D6/375  
D213,190 S \* 1/1969 Watari ..... D6/334  
3,521,929 A \* 7/1970 Pearson ..... A47C 7/02  
297/452.14  
D220,950 S \* 6/1971 Sideri ..... D6/372  
3,851,920 A \* 12/1974 Harris ..... A47C 7/18  
297/452.55  
D549,971 S \* 9/2007 Jourdan ..... D6/344  
D577,215 S \* 9/2008 Kreiss ..... D6/374  
D579,224 S \* 10/2008 Fancelli ..... D6/372  
D644,448 S \* 9/2011 Li ..... D6/375  
D655,099 S \* 3/2012 Werner ..... D6/371  
D694,531 S \* 12/2013 Sofield ..... D6/349  
D730,669 S \* 6/2015 Kubryk ..... D6/716  
D799,873 S \* 10/2017 Swy ..... D6/716  
D808,669 S \* 1/2018 Li ..... D6/334  
D811,757 S \* 3/2018 Moscheri ..... D6/334  
D817,056 S \* 5/2018 Neil ..... D6/716

(Continued)

*Primary Examiner* — Kevin K Rudzinski  
*Assistant Examiner* — Paul D Bohannon  
(74) *Attorney, Agent, or Firm* — Hauptman Ham, LLP

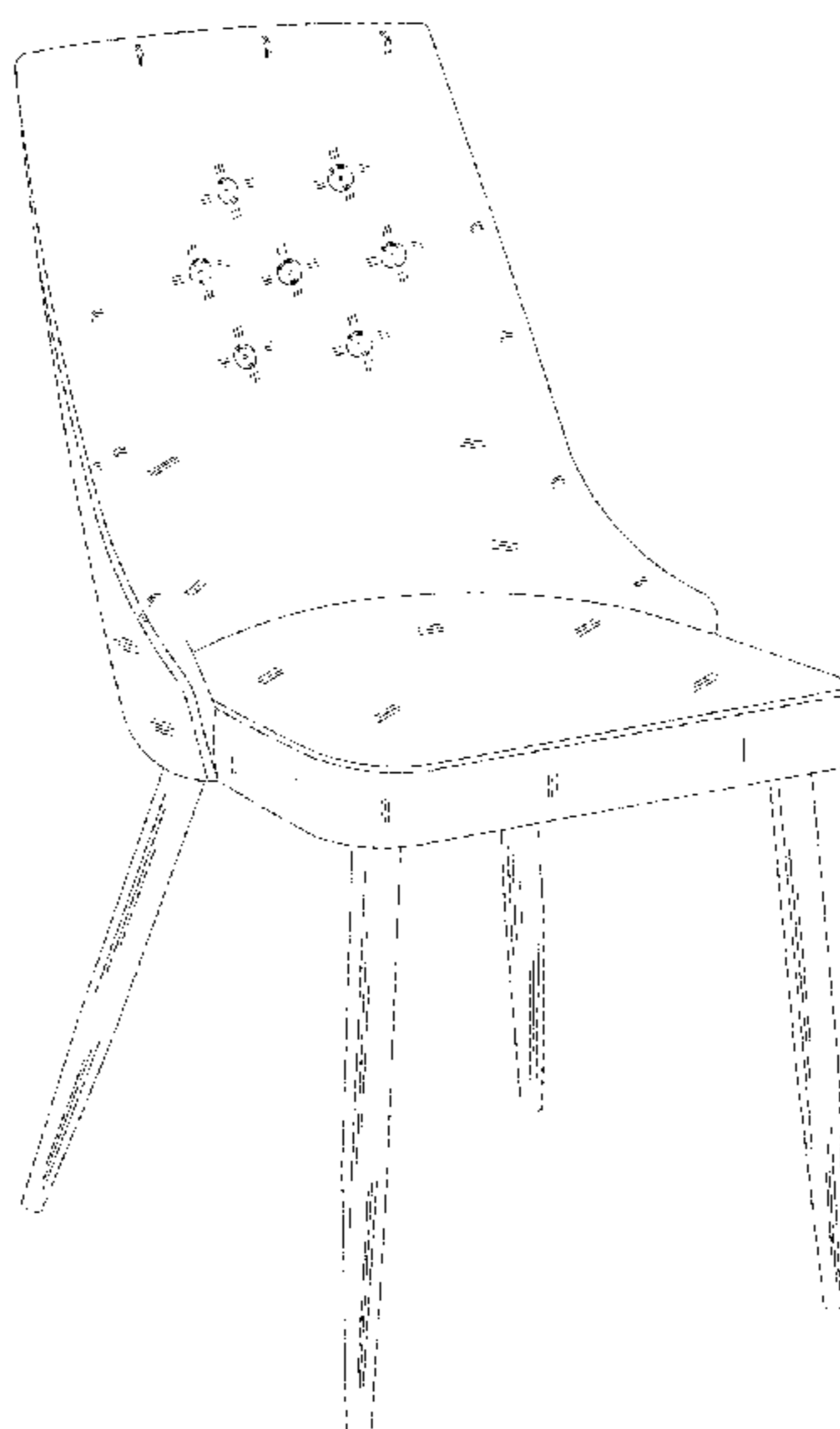
(57) **CLAIM**

The ornamental design for a chair, as shown and described.

**DESCRIPTION**

FIG. 1 is a front view of a chair bearing the design;  
FIG. 2 is a rear view thereof;  
FIG. 3 is a left side view thereof;  
FIG. 4 is a right side view thereof;  
FIG. 5 is a top view thereof;  
FIG. 6 is a bottom view thereof; and,  
FIG. 7 is a front-left perspective view thereof.  
The broken lines shown in the drawings are for the purpose of illustrating portions of the chair and form no part of the claimed design.

**1 Claim, 7 Drawing Sheets**



(56)

**References Cited**

U.S. PATENT DOCUMENTS

D821,774 S	*	7/2018	Hale	.....	D6/375
D831,989 S	*	10/2018	Gufler	.....	D6/334
D834,345 S	*	11/2018	Yuglich	.....	D6/374
D849,434 S	*	5/2019	Hale	.....	D6/364
D859,868 S	*	9/2019	Lievore	.....	D6/375
D869,190 S	*	12/2019	Lievore	.....	D6/375
D885,775 S	*	6/2020	Sumlin	.....	D6/334
D886,484 S	*	6/2020	Li	.....	D6/374

\* cited by examiner

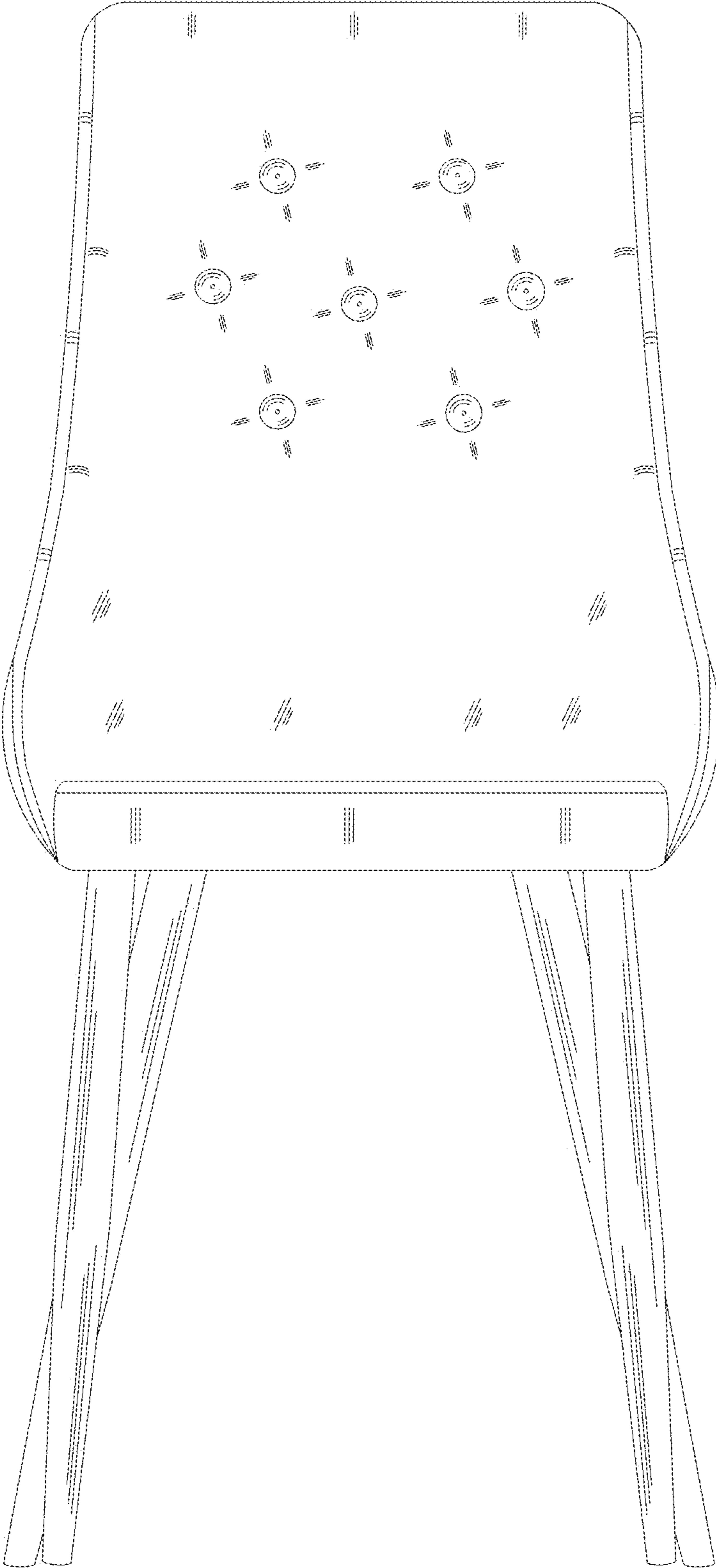


FIG. 1

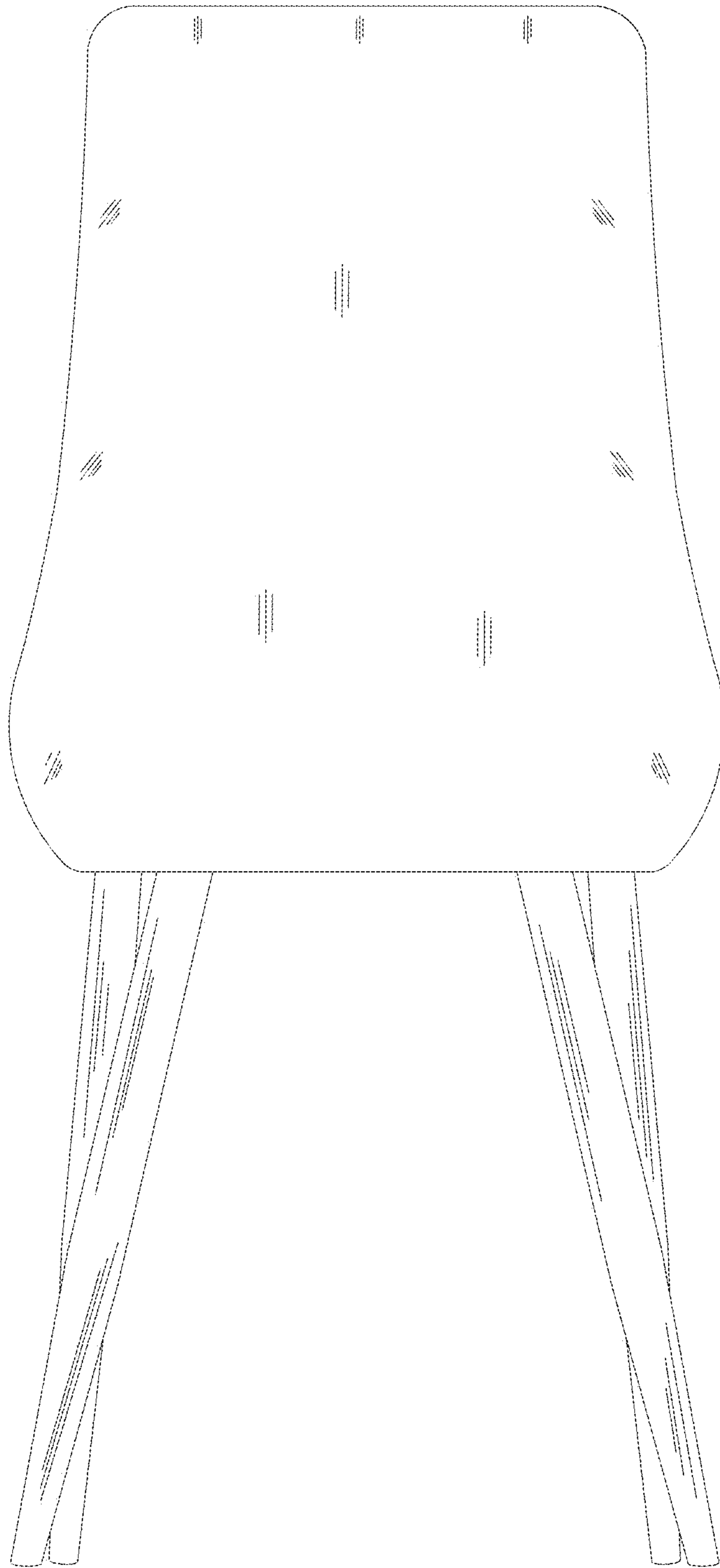


FIG. 2

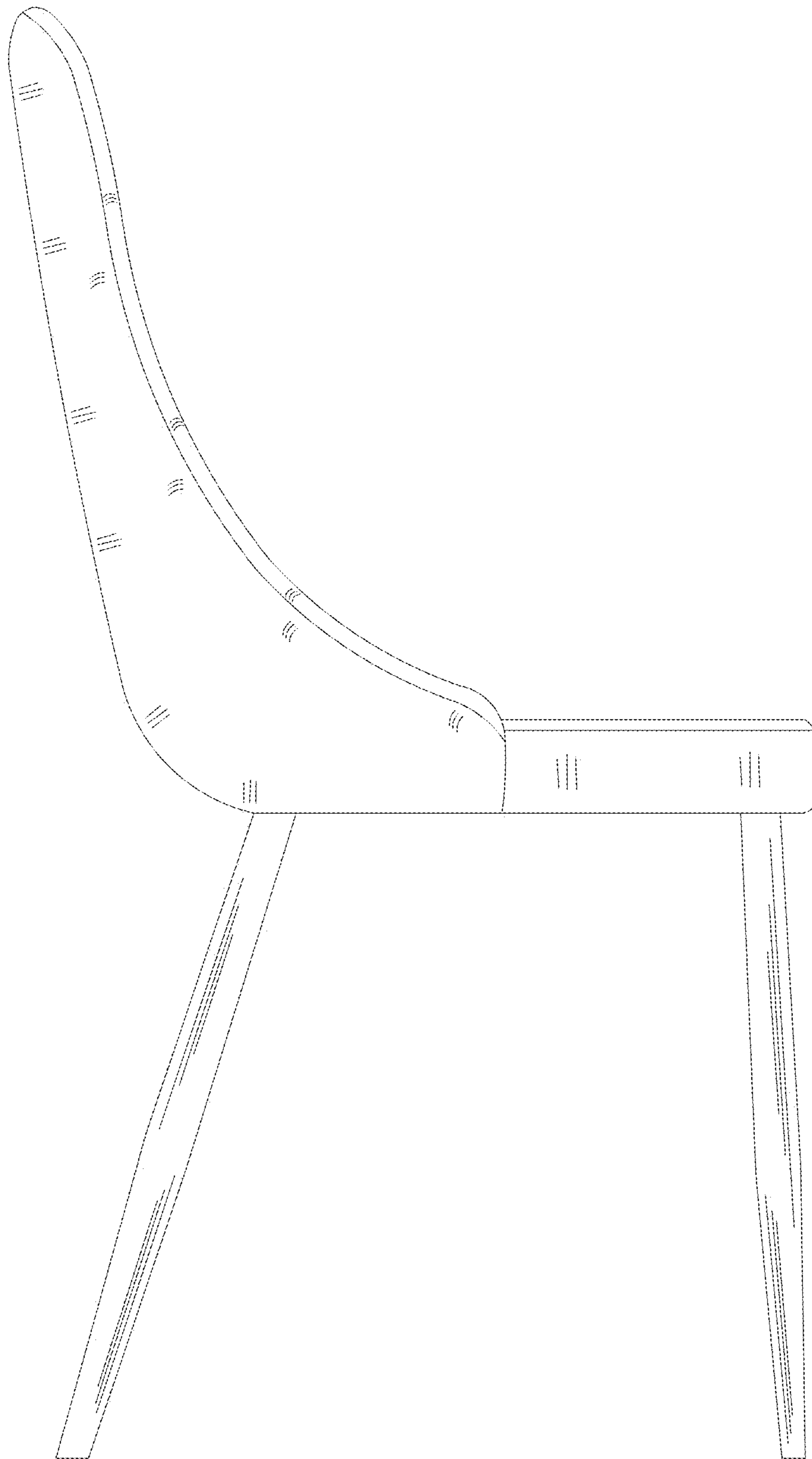


FIG. 3

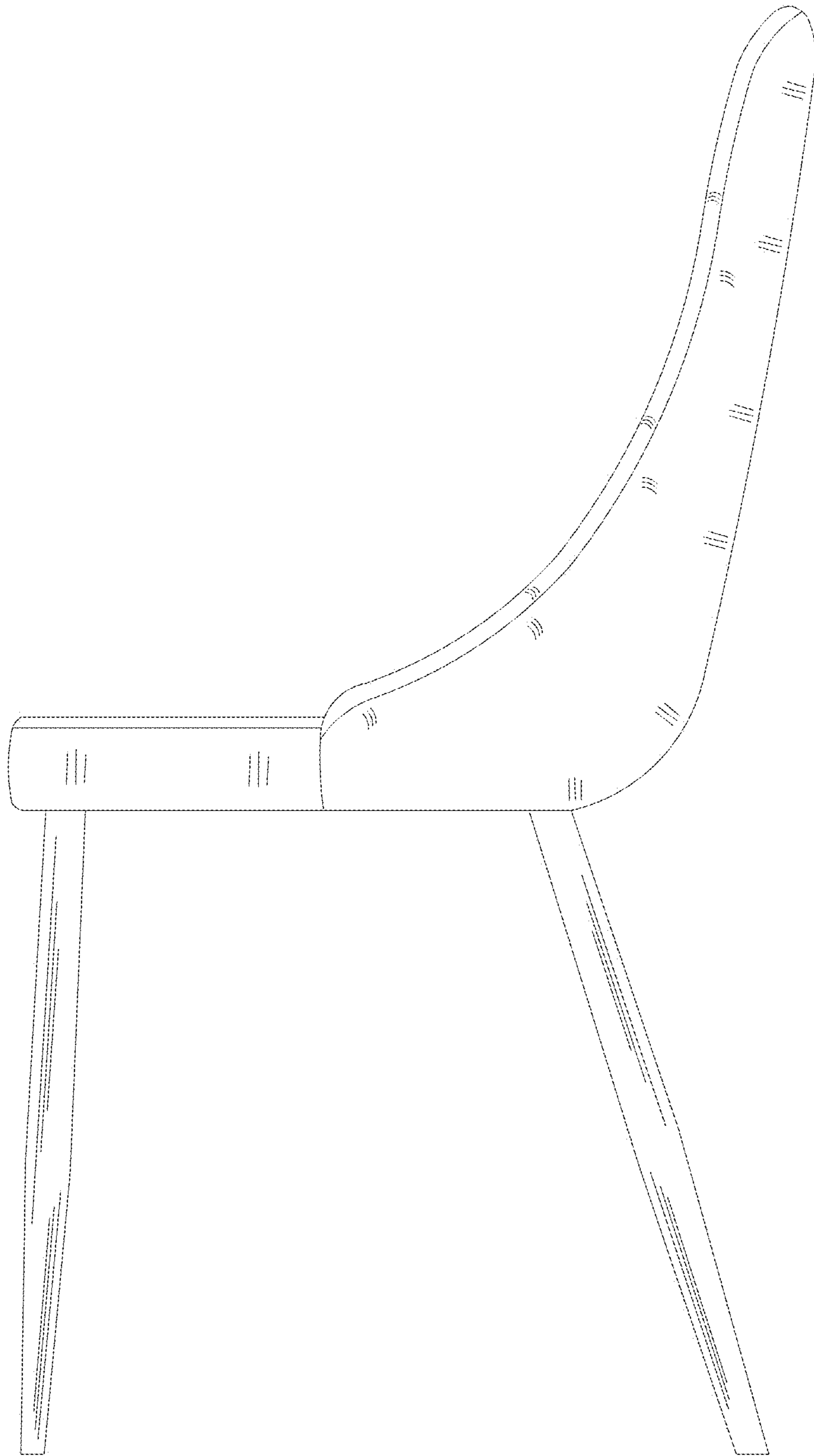


FIG. 4

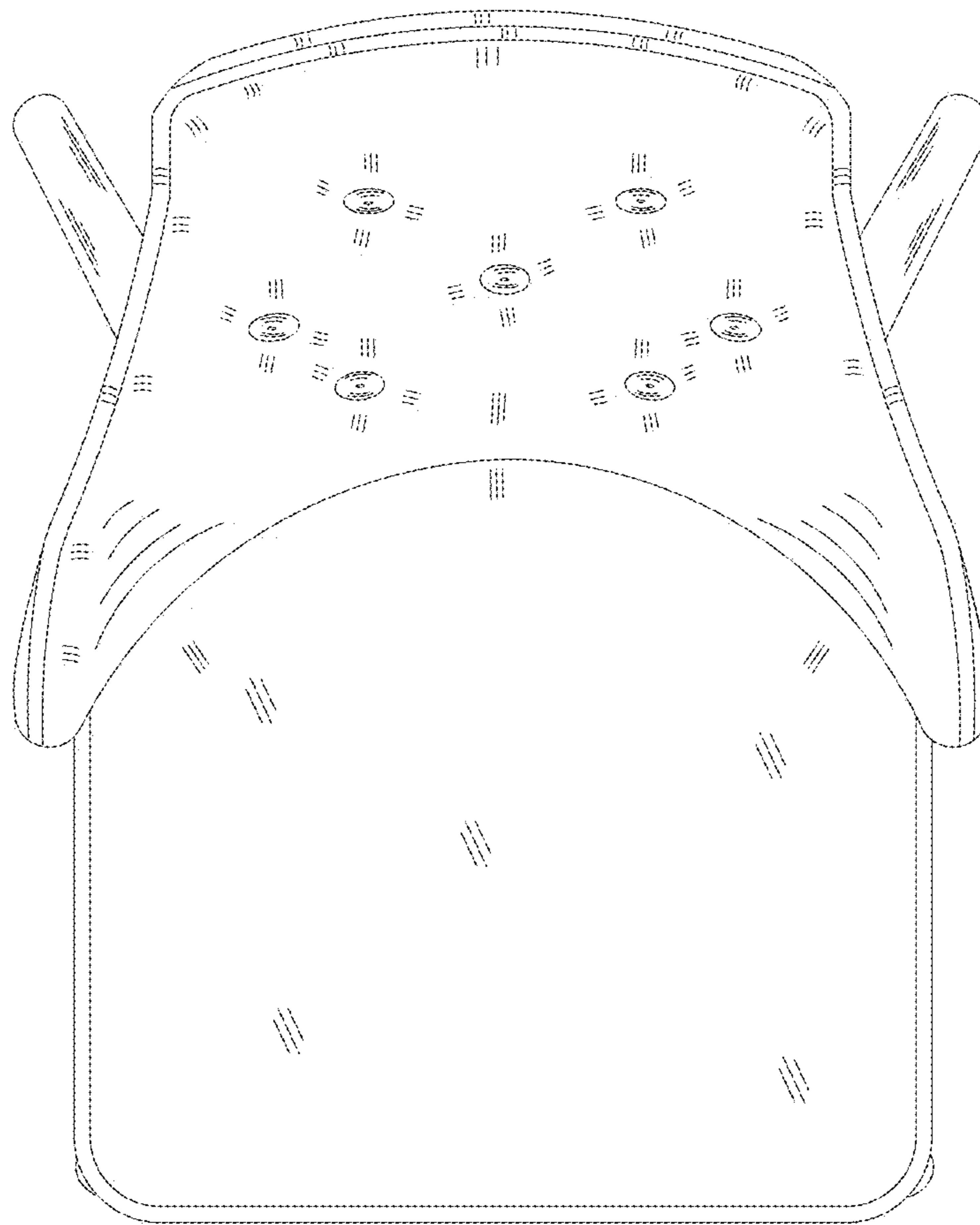


FIG. 5



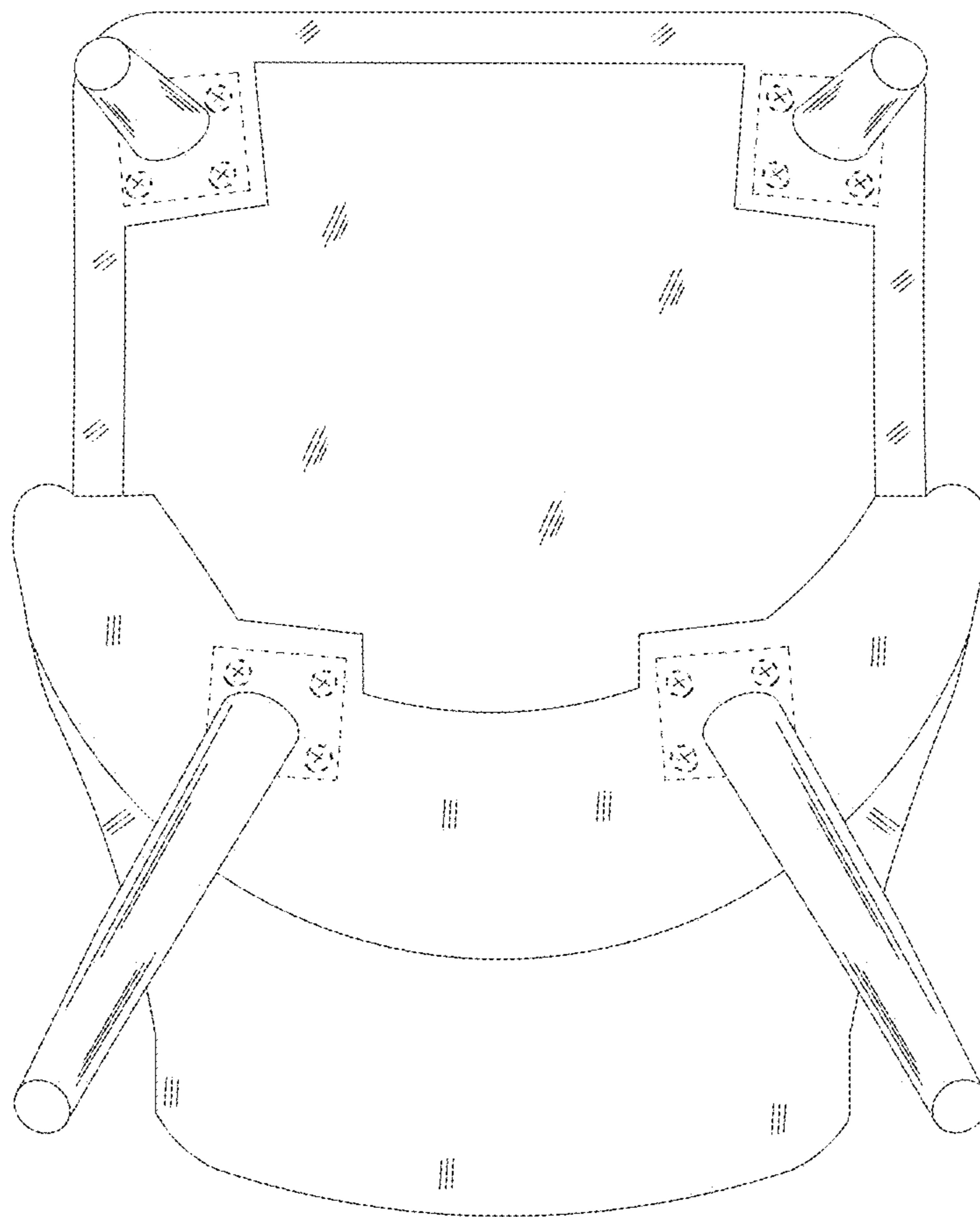


FIG. 6



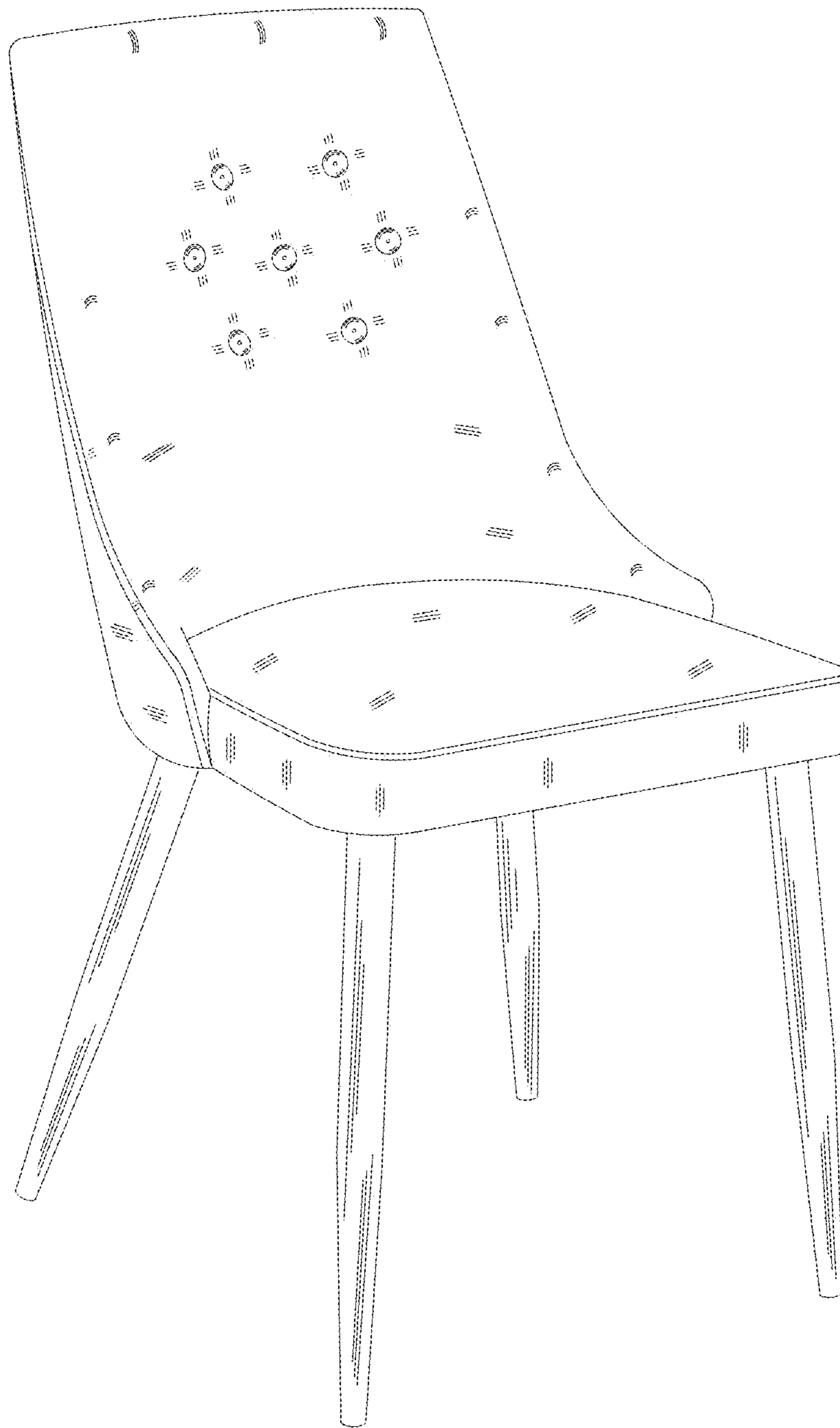


FIG. 7