



US00D920698S

(12) **United States Design Patent**
Li

(10) **Patent No.:** **US D920,698 S**

(45) **Date of Patent:** **** Jun. 1, 2021**

(54) **CHAIR**

(71) Applicant: **39F USA INC**, Rancho Cucamonga, CA (US)

(72) Inventor: **Yuehai Li**, Rancho Cucamonga, CA (US)

(**) Term: **15 Years**

(21) Appl. No.: **29/727,069**

(22) Filed: **Mar. 9, 2020**

(51) **LOC (13) Cl.** **06-01**

(52) **U.S. Cl.**
USPC **D6/366**

(58) **Field of Classification Search**
USPC D6/334, 364, 365, 366, 367, 369, 375, D6/379, 380
CPC A47C 3/00; A47C 3/18; A47C 3/20; A47C 3/026; A47C 1/00; A47C 1/02; A47C 1/022; A47C 1/037; A47C 7/24; A47C 7/36; A47C 7/46

See application file for complete search history.

(56) **References Cited**

U.S. PATENT DOCUMENTS

D683,570 S * 6/2013 Kubryk D6/716
D698,191 S * 1/2014 Kubryk D6/716

D730,669 S * 6/2015 Kubryk D6/716
D766,640 S * 9/2016 Kubryk D6/716
D808,669 S * 1/2018 Li D6/334
D817,056 S * 5/2018 Neil D6/716
D869,190 S * 12/2019 Lievore D6/375
D899,799 S * 10/2020 Li D6/366
D904,779 S * 12/2020 Li D6/366
D907,384 S * 1/2021 Li D6/366
D911,056 S * 2/2021 Altherr D6/366

* cited by examiner

Primary Examiner — R. Johnson

(74) *Attorney, Agent, or Firm* — Feng Qian

(57) **CLAIM**

The ornamental design for a chair, as shown and described.

DESCRIPTION

FIG. 1 is a front perspective view of a chair showing my new design;

FIG. 2 is a front elevation view thereof;

FIG. 3 is a rear elevation view thereof;

FIG. 4 is a left-side elevation view thereof;

FIG. 5 is a right-side elevation view thereof;

FIG. 6 is a top plan view thereof; and,

FIG. 7 is a bottom plan view thereof.

In FIGS. 1-7, the broken lines represent stitching.

1 Claim, 7 Drawing Sheets



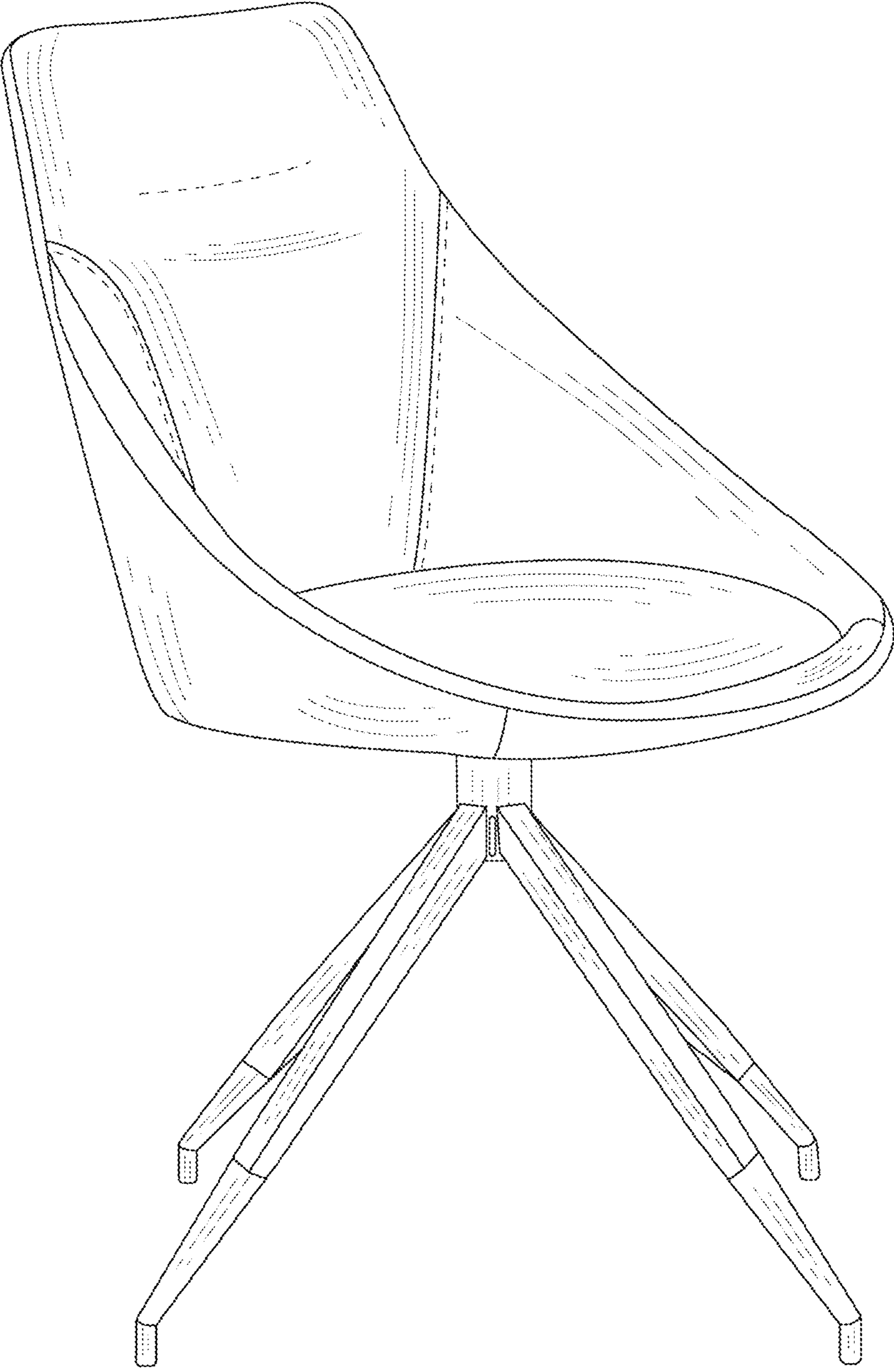


Fig.1

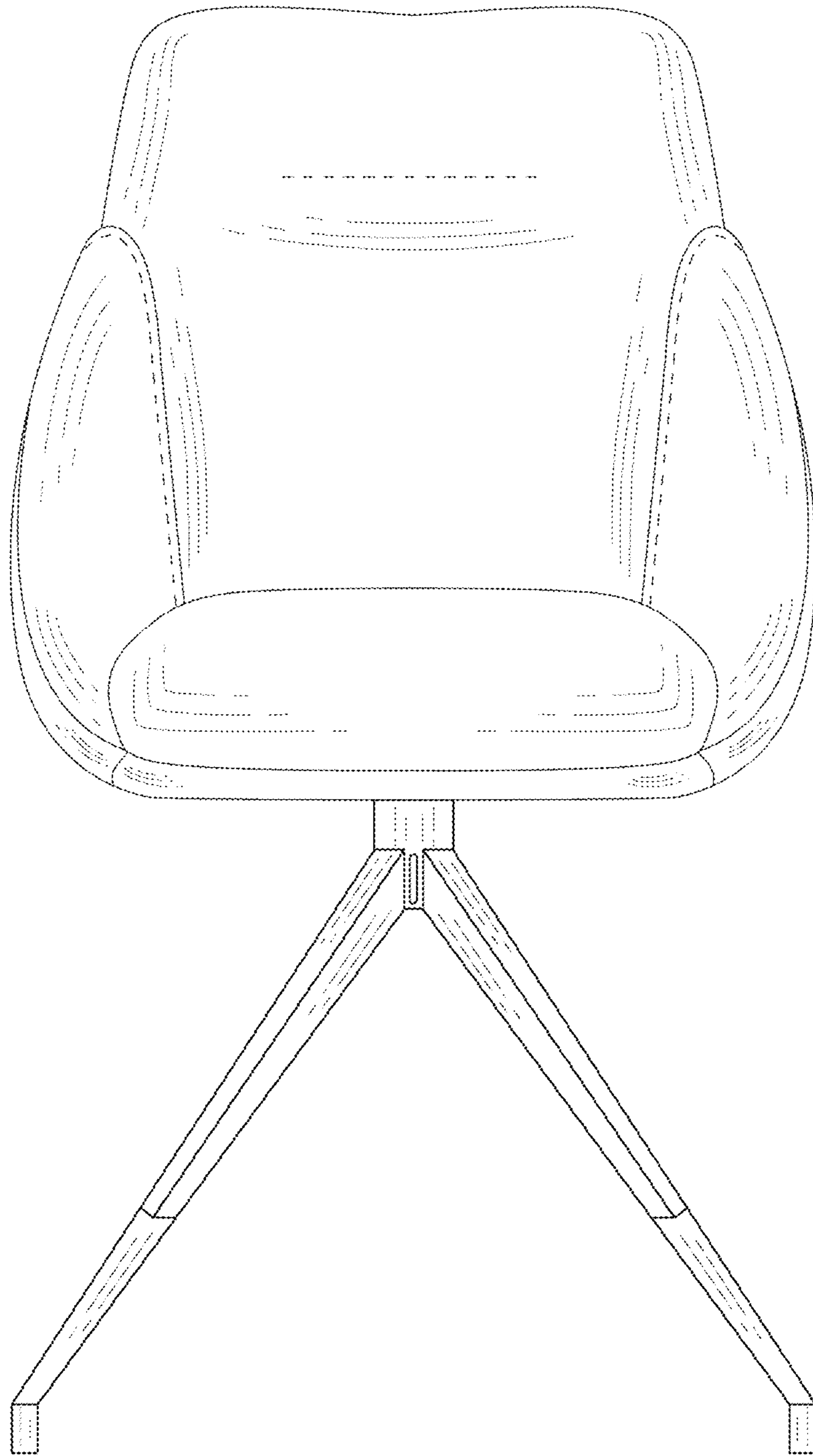


Fig.2

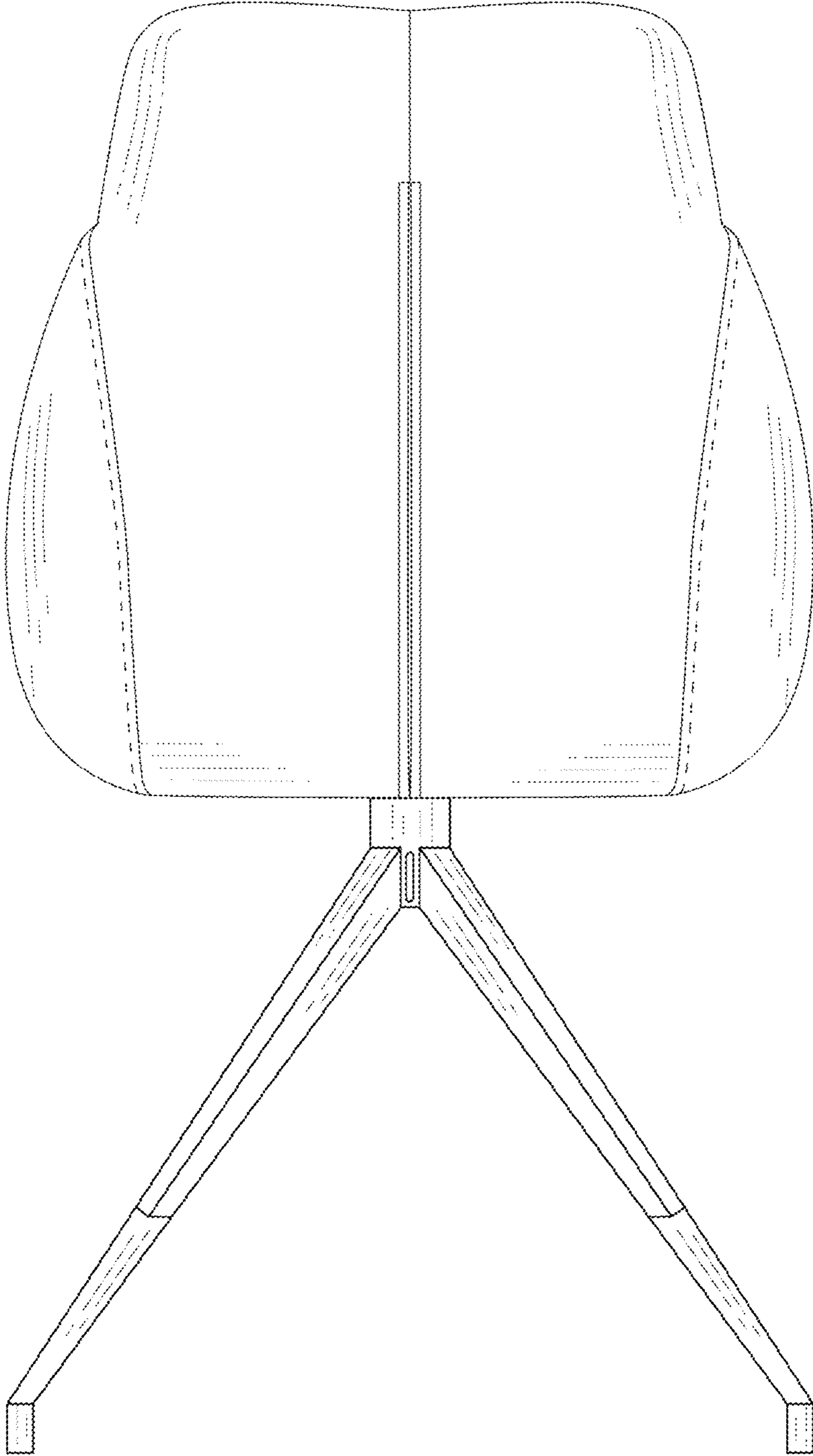


Fig.3

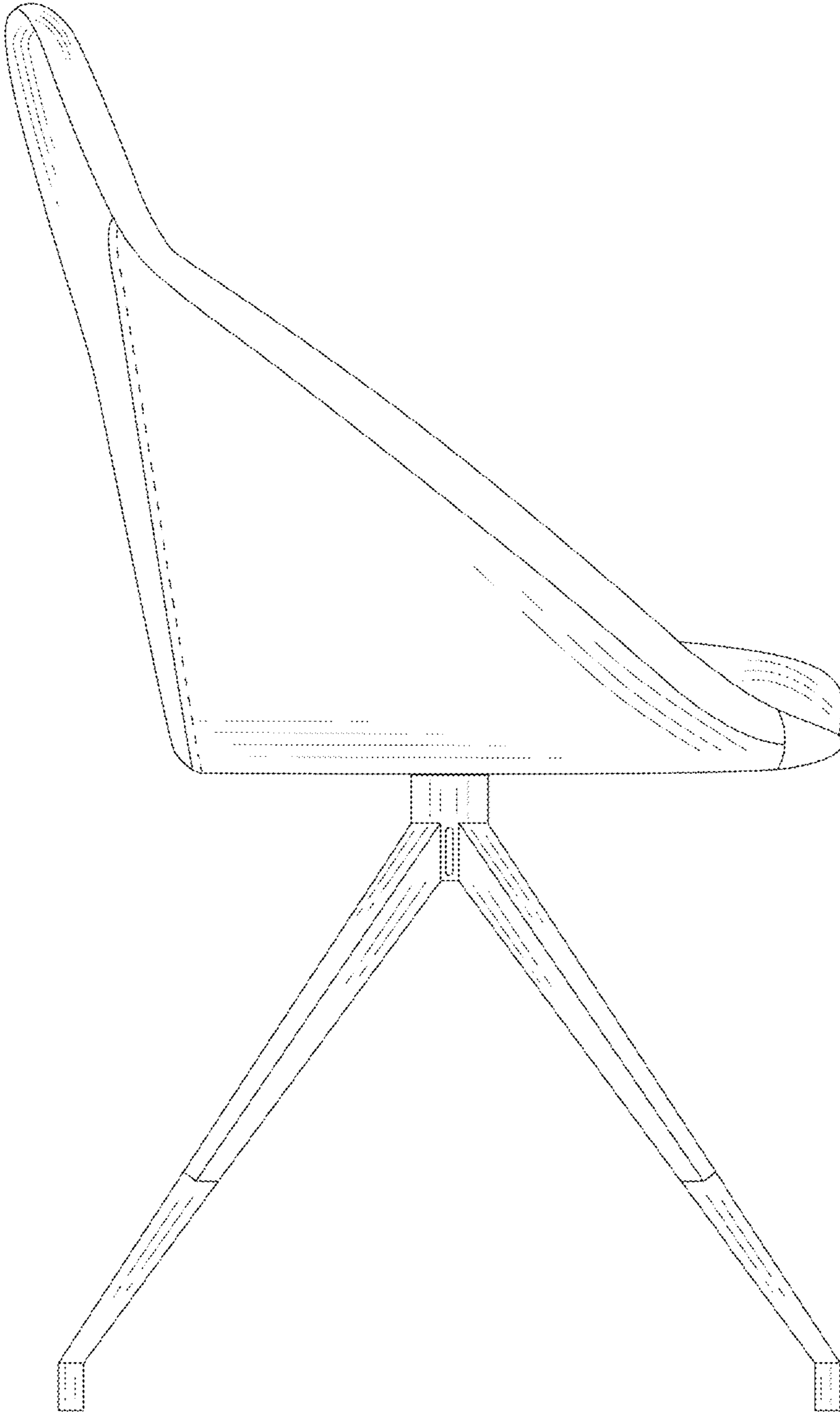


Fig.4

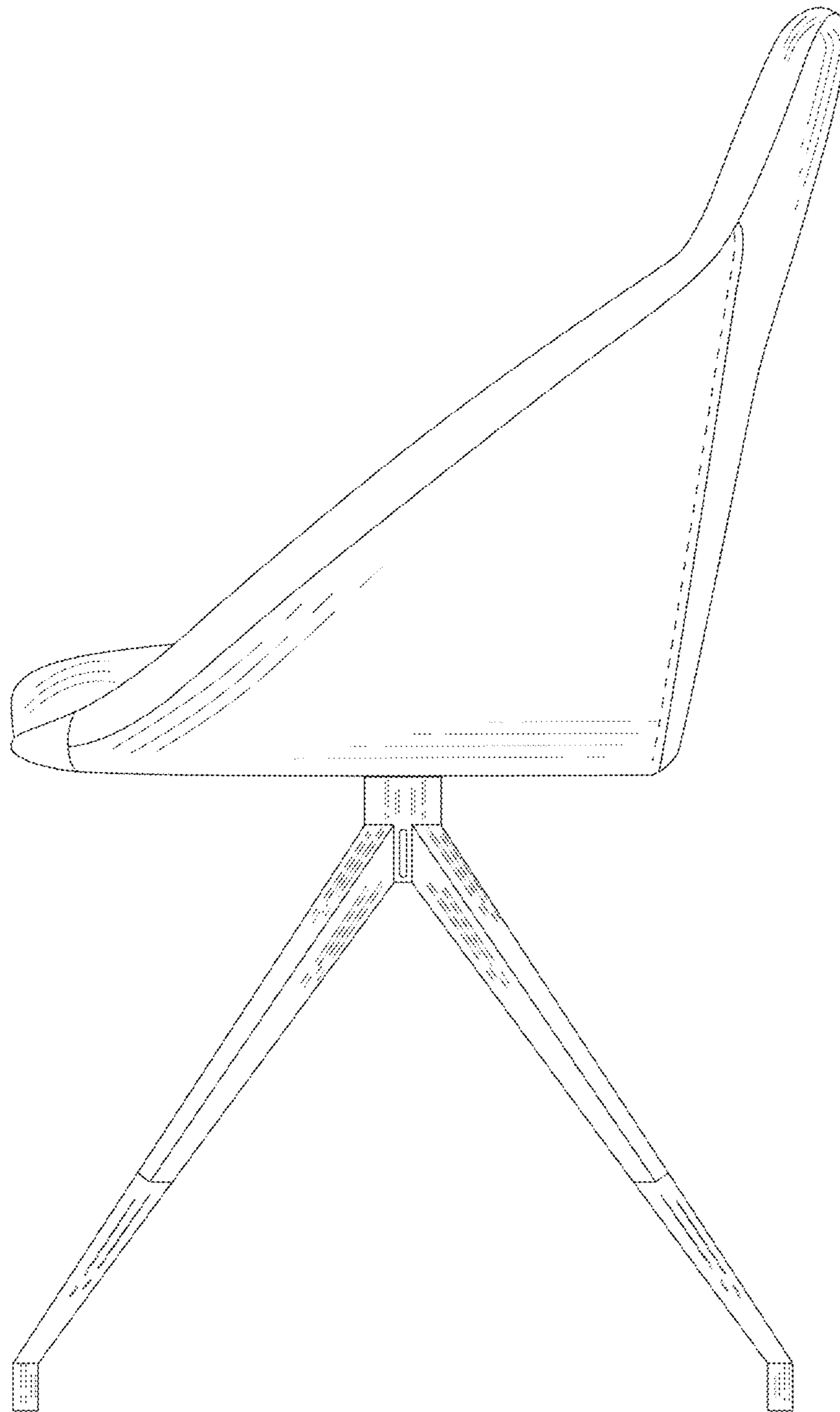


Fig.5

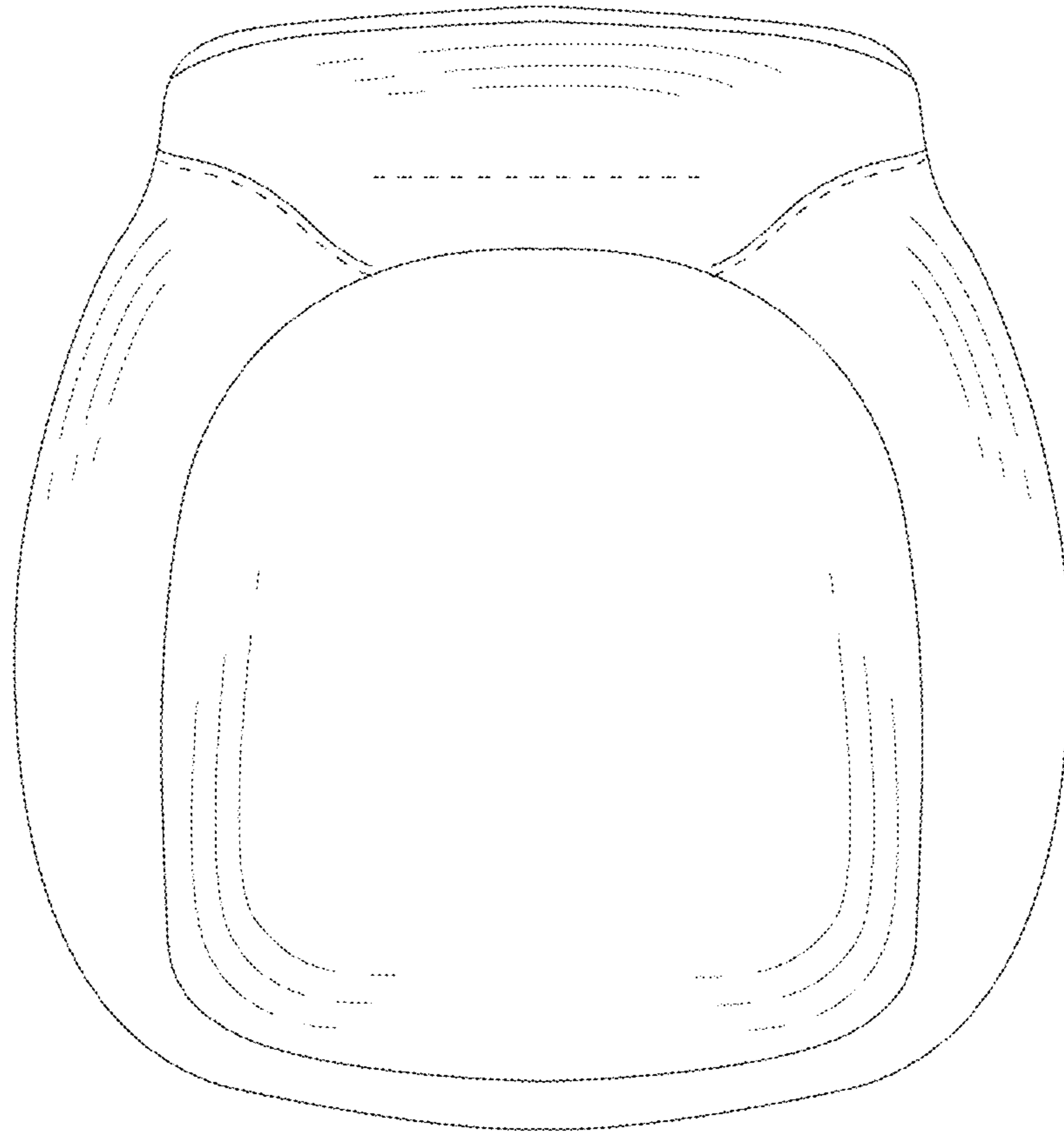


Fig.6

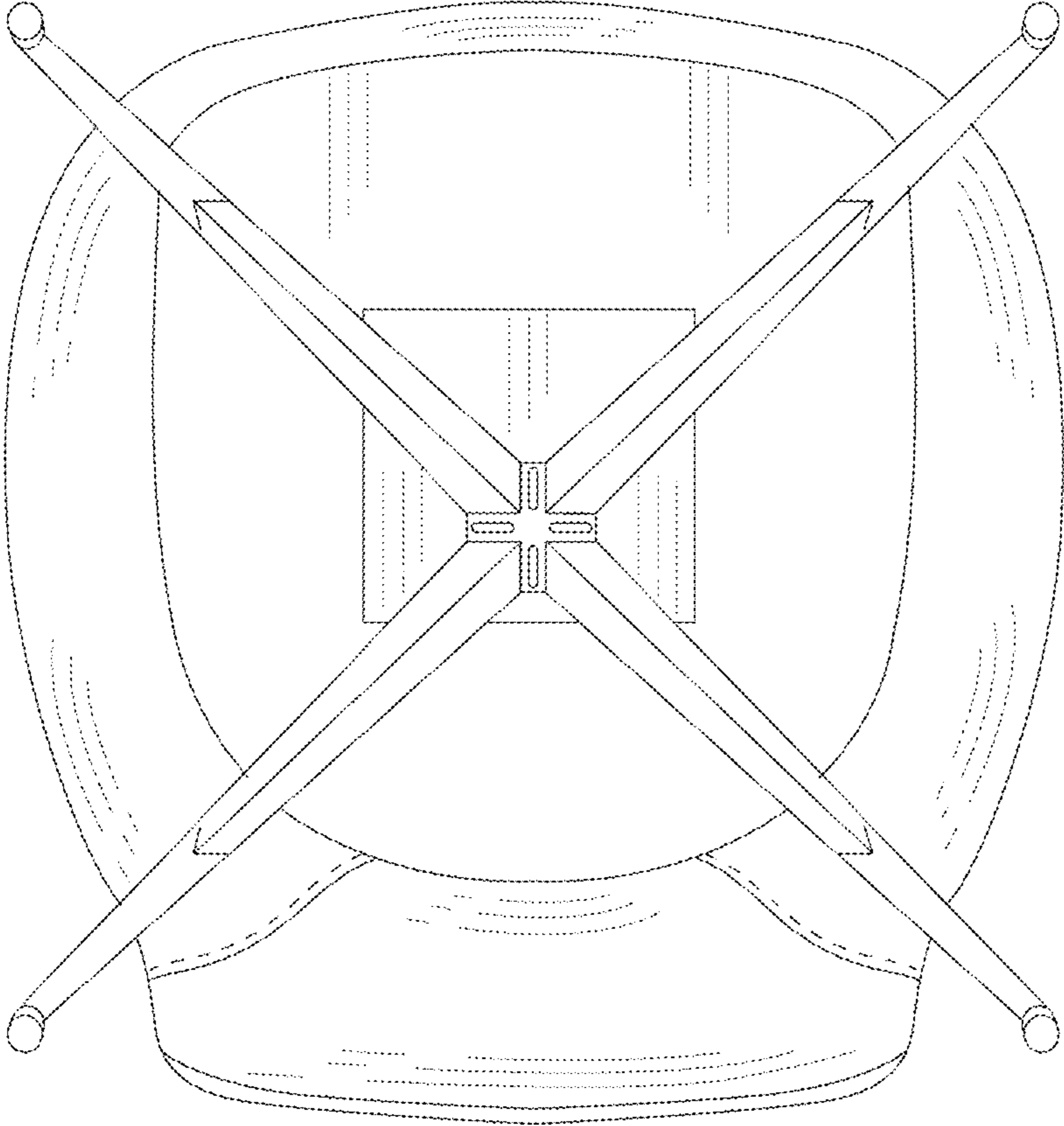


Fig.7