



US00D920697S

(12) **United States Design Patent**
Li

(10) **Patent No.:** **US D920,697 S**

(45) **Date of Patent:** **** Jun. 1, 2021**

(54) **CHAIR**

(71) Applicant: **39F USA INC**, Rancho Cucamonga, CA (US)

(72) Inventor: **Yuehai Li**, Rancho Cucamonga, CA (US)

(**) Term: **15 Years**

(21) Appl. No.: **29/715,896**

(22) Filed: **Dec. 5, 2019**

(51) **LOC (13) Cl.** **06-01**

(52) **U.S. Cl.**
USPC **D6/366**

(58) **Field of Classification Search**
USPC D6/334, 349, 357, 364, 365, 366, 367, D6/368, 369, 374, 375, 379, 381, 708.16, D6/716.1, 716.4, 716.7
CPC A47C 3/12; A47C 3/18; A47C 3/20; A47C 3/26; A47C 5/02; A47C 5/10; A47C 7/24; A47C 7/36; A47C 7/46; A47C 7/18; A47C 7/40; A47C 1/03255; A47C 4/42; A47C 4/44; A47C 11/00; A47C 11/05
See application file for complete search history.

(56) **References Cited**

U.S. PATENT DOCUMENTS

D178,888 S * 10/1956 Keal D6/334
D206,713 S * 1/1967 Leopold D6/334

D358,948 S * 6/1995 Klein D6/379
D569,640 S * 5/2008 Robson D6/370
D654,732 S * 2/2012 Kubryk D6/716
D698,191 S * 1/2014 Kubryk D6/716
D729,562 S * 5/2015 Kubryk D6/716
D730,669 S * 6/2015 Kubryk D6/716
D766,640 S * 9/2016 Kubryk D6/716
D767,318 S * 9/2016 Kubryk D6/716
D815,449 S * 4/2018 Hannoosh D6/374
D885,073 S * 5/2020 Wang D6/374
D885,775 S * 6/2020 Sumlin D6/334

* cited by examiner

Primary Examiner — R. Johnson

(74) *Attorney, Agent, or Firm* — Feng Qian

(57) **CLAIM**

The ornamental design for a chair, as shown and described.

DESCRIPTION

FIG. 1 is a front perspective view of a chair showing my new design;
FIG. 2 is a front elevation view thereof;
FIG. 3 is a rear elevation view thereof;
FIG. 4 is a left-side elevation view thereof;
FIG. 5 is a right-side elevation view thereof;
FIG. 6 is a top plan view thereof; and,
FIG. 7 is a bottom plan view thereof.
The broken lines shown in the drawings are for the purpose of illustrating portions of the article, and form no part of the claimed design.

1 Claim, 7 Drawing Sheets

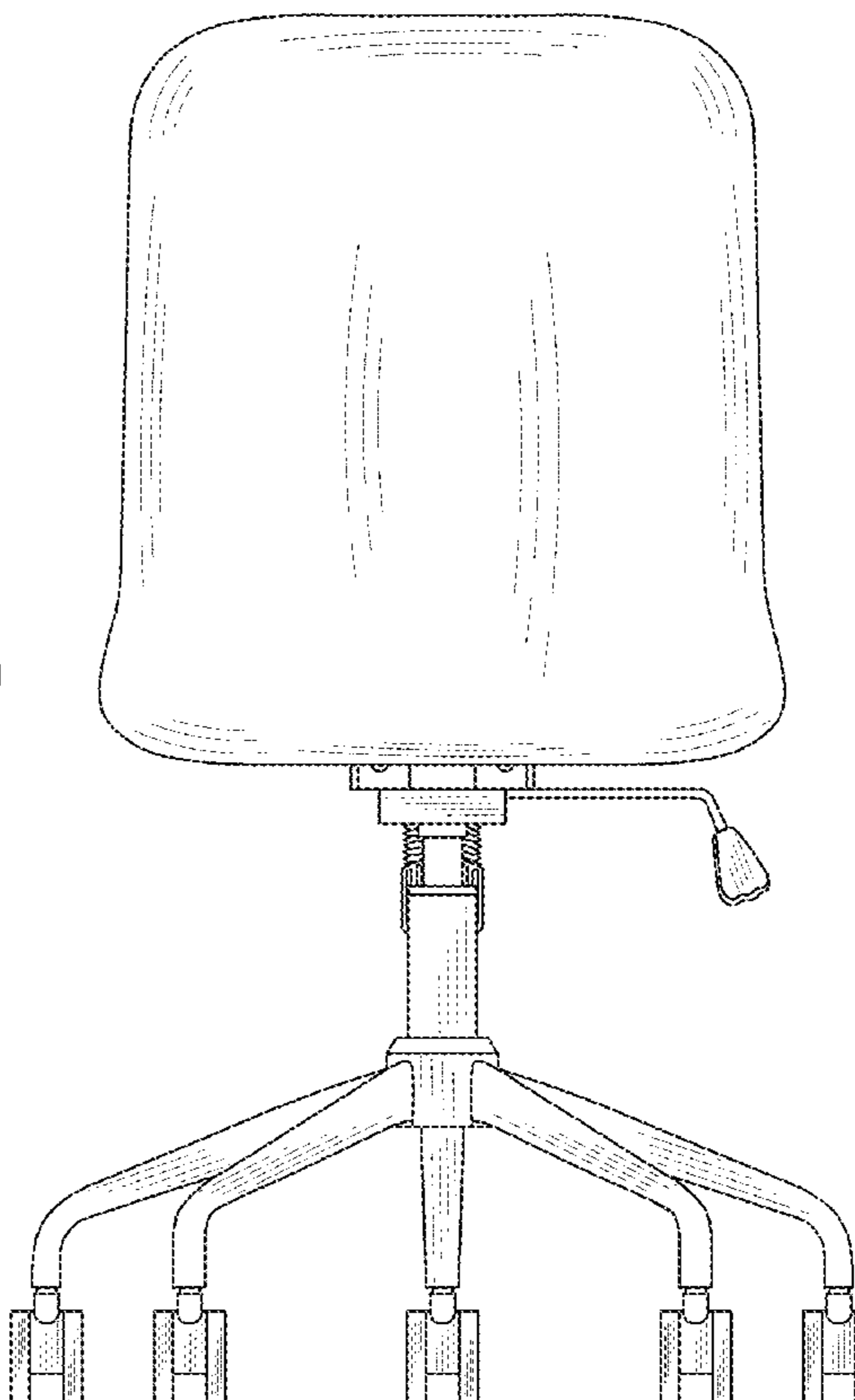




Fig. 1

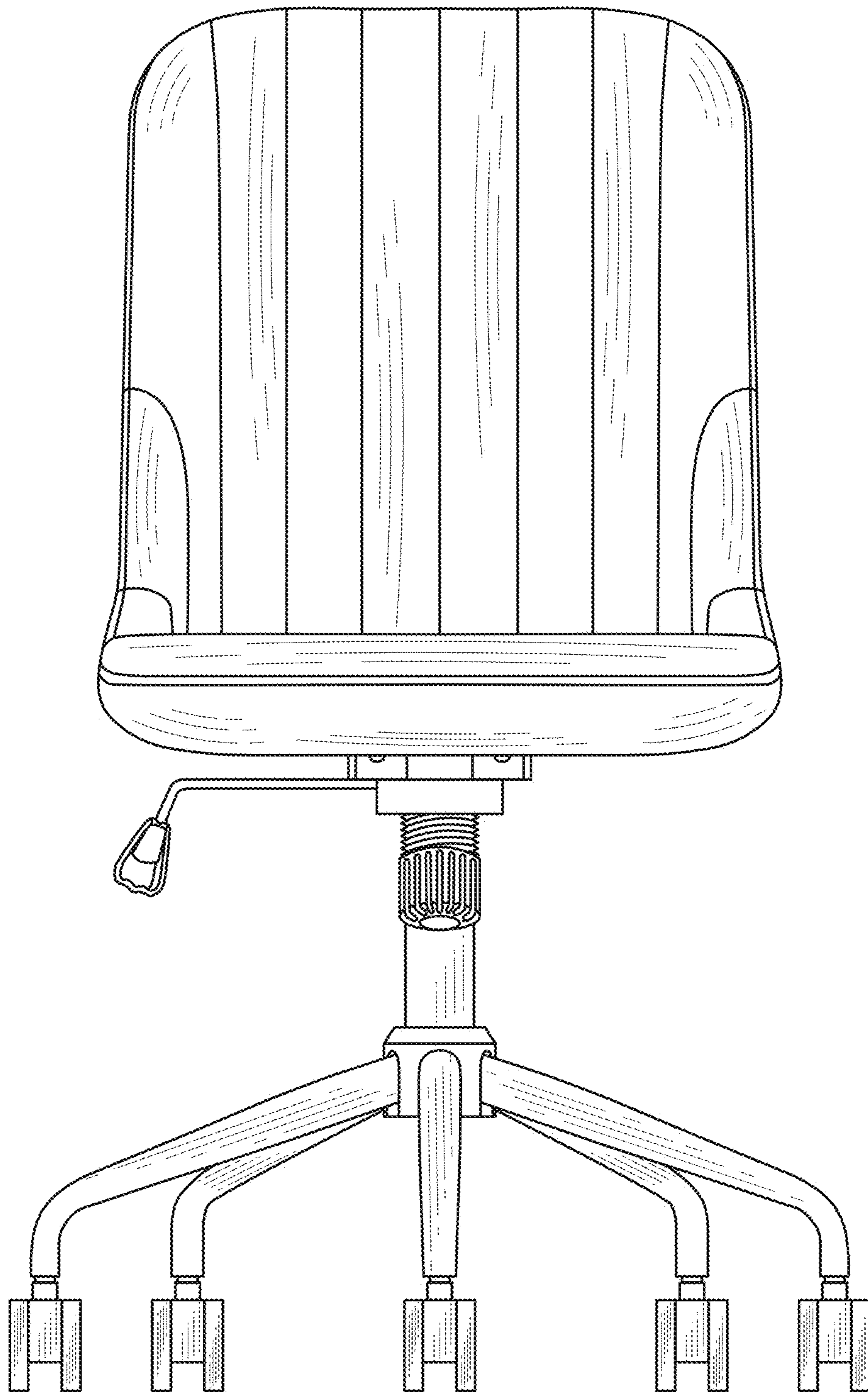


Fig. 2

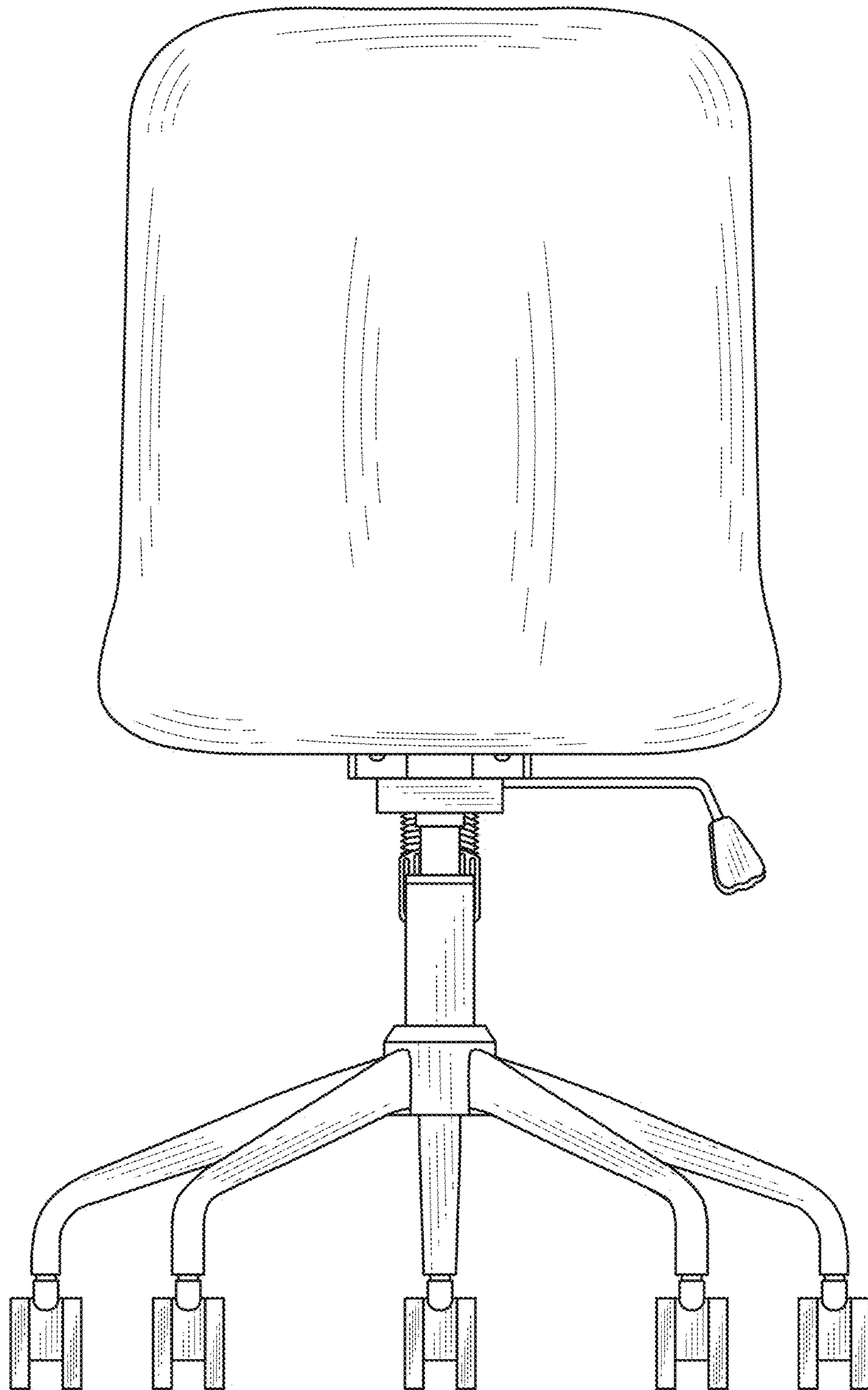


Fig. 3

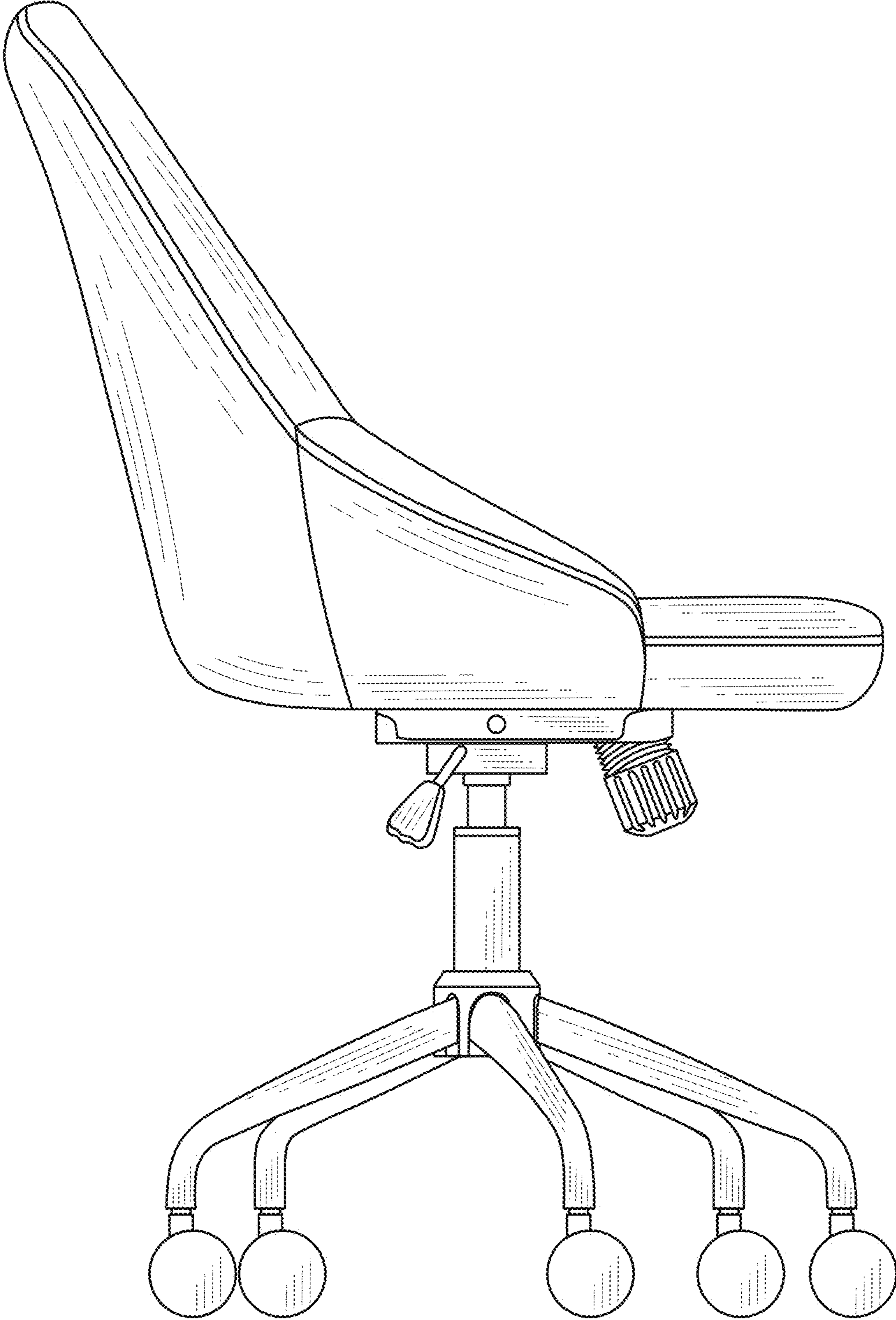


Fig. 4

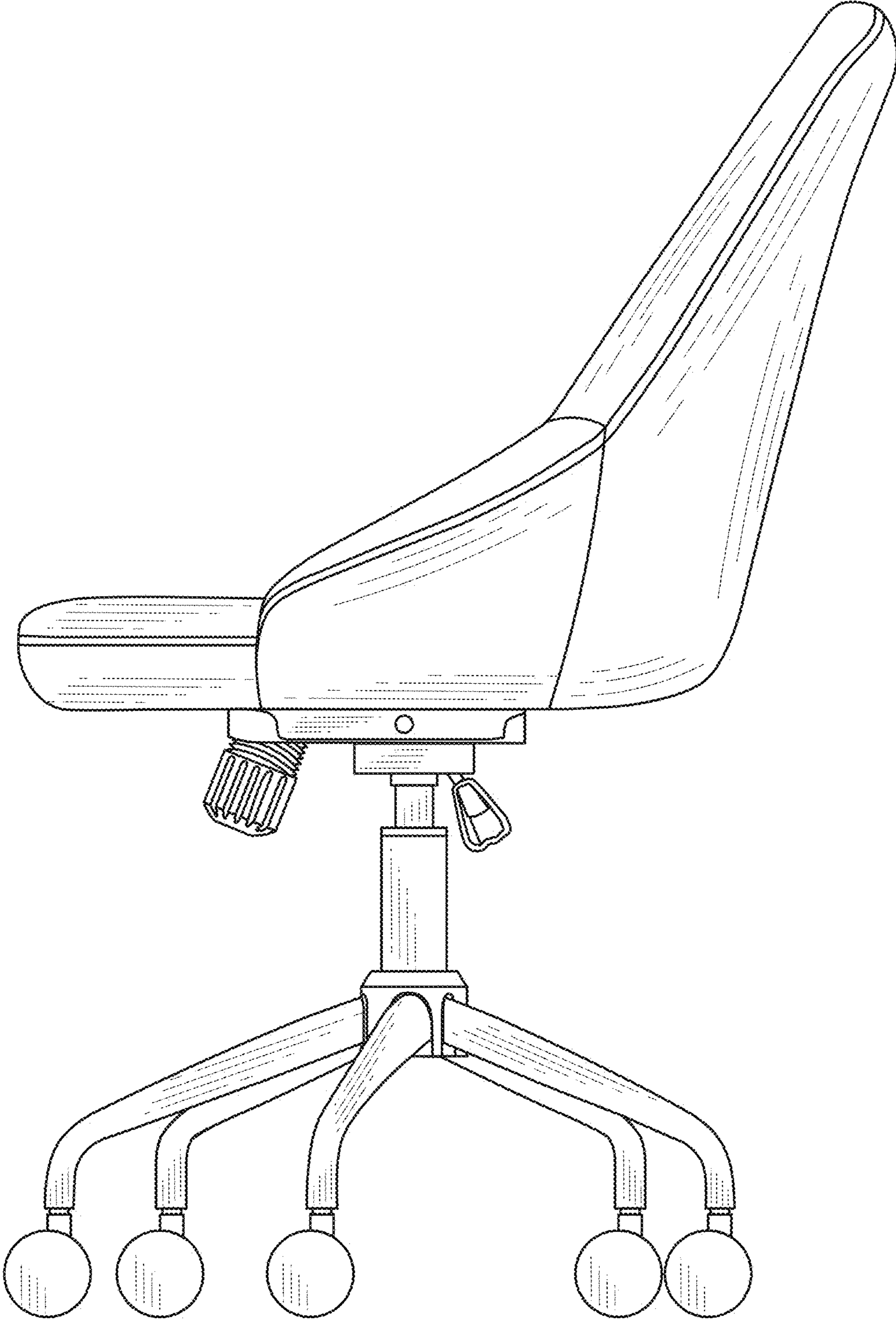


Fig. 5

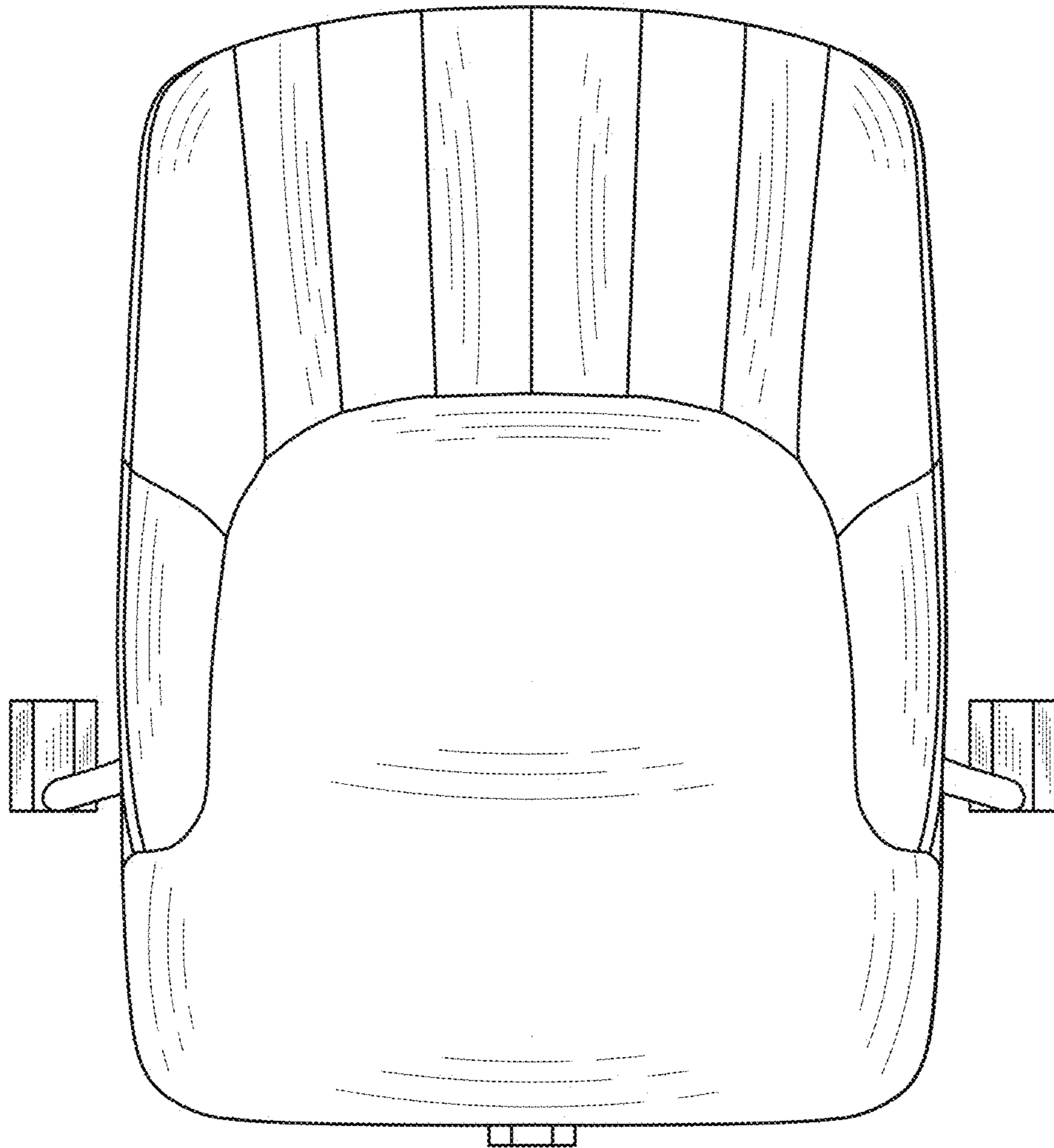


Fig. 6

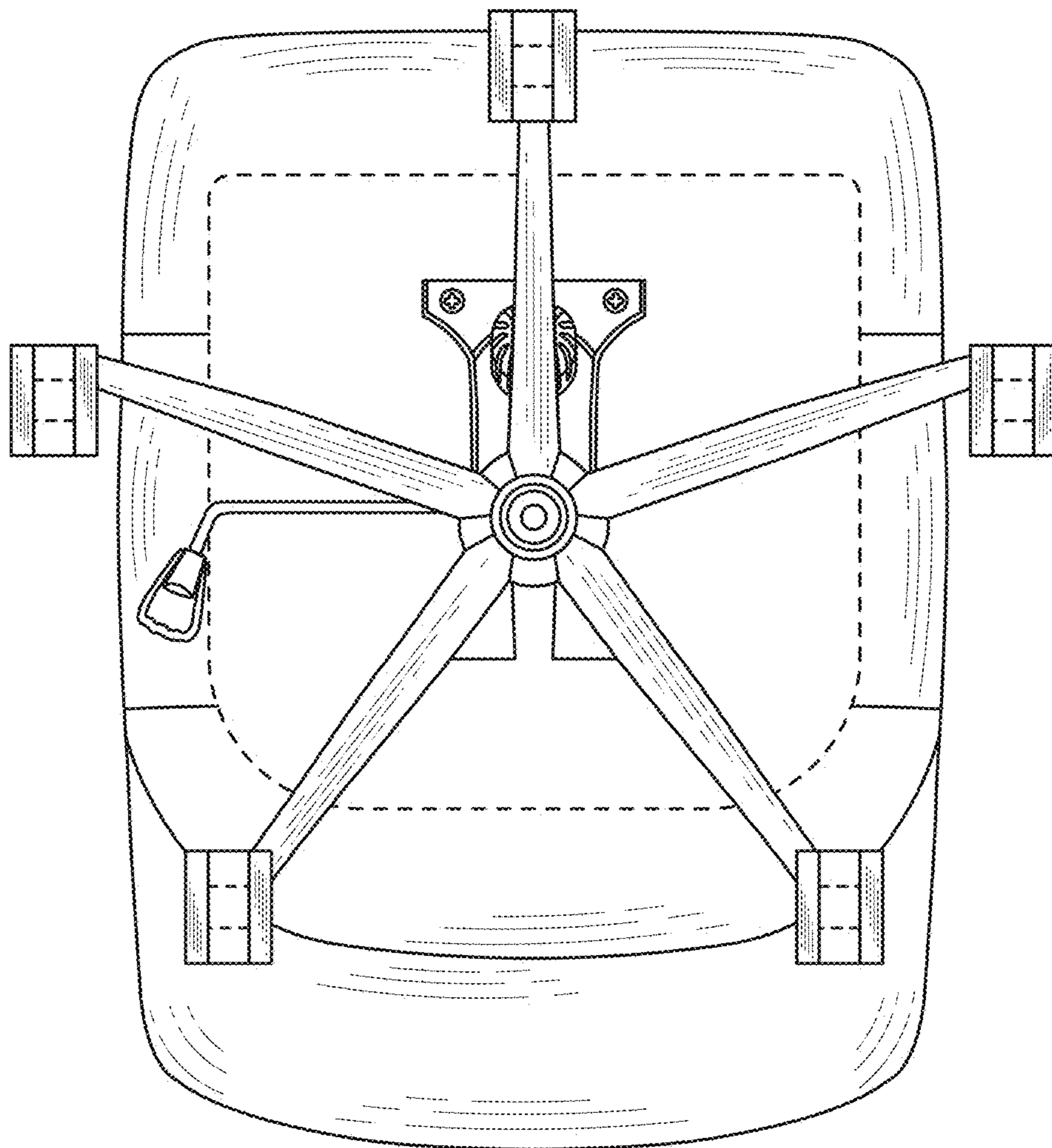


Fig. 7