



US00D920696S

(12) **United States Design Patent**  
**Su**

(10) **Patent No.:** **US D920,696 S**

(45) **Date of Patent:** **\*\* Jun. 1, 2021**

- (54) **CHAIR**
- (71) Applicant: **Tung-Hua Su**, Tainan (CN)
- (72) Inventor: **Tung-Hua Su**, Tainan (CN)
- (\*\*) Term: **15 Years**
- (21) Appl. No.: **29/706,272**
- (22) Filed: **Sep. 19, 2019**
- (51) **LOC (13) Cl.** ..... **06-01**
- (52) **U.S. Cl.**  
USPC ..... **D6/366**
- (58) **Field of Classification Search**  
USPC ..... D6/334-336, 364, 365, 366, 367, 374,  
D6/379, 380, 716, 716.1, 716.2, 716.4,  
D6/708.23, 708.24  
CPC ..... A47C 7/004; A47C 7/006; A47C 7/18;  
A47C 7/24; A47C 7/282; A47C 7/285;  
A47C 7/40; A47C 7/46; A47C 7/462;  
A47C 7/54; A47C 7/541  
See application file for complete search history.

|           |      |         |            |       |                         |
|-----------|------|---------|------------|-------|-------------------------|
| 8,029,066 | B2 * | 10/2011 | Su         | ..... | A47C 7/40<br>297/452.18 |
| D687,660  | S *  | 8/2013  | Hsuan-Chin | ..... | D6/716.4                |
| D714,070  | S *  | 9/2014  | Cvek       | ..... | D6/366                  |
| D728,291  | S *  | 5/2015  | Ooki       | ..... | D6/716.4                |
| D763,587  | S *  | 8/2016  | Neil       | ..... | D6/366                  |
| D766,605  | S *  | 9/2016  | Li         | ..... | D6/366                  |
| D773,199  | S *  | 12/2016 | Neil       | ..... | D6/366                  |
| D785,390  | S *  | 5/2017  | Tong       | ..... | D6/716                  |
| D816,362  | S *  | 5/2018  | Su         | ..... | D6/366                  |
| D878,788  | S *  | 3/2020  | Wang       | ..... | D6/366                  |
| D878,790  | S *  | 3/2020  | Wang       | ..... | D6/366                  |
| D907,423  | S *  | 1/2021  | Cross      | ..... | D6/716.4                |
| D909,084  | S *  | 2/2021  | Dai        | ..... | D6/366                  |

\* cited by examiner

*Primary Examiner* — Mimoso De

(74) *Attorney, Agent, or Firm* — Alan D. Kamrath; Karin L. Williams; Mayer & Williams PC

(57) **CLAIM**

The ornamental design for a chair, as shown and described.

**DESCRIPTION**

FIG. 1 is a perspective view of the chair showing my new design;

FIG. 2 is a front elevation view thereof;

FIG. 3 is a rear elevation view thereof;

FIG. 4 is a left side elevation view thereof;

FIG. 5 is a right side elevation view thereof;

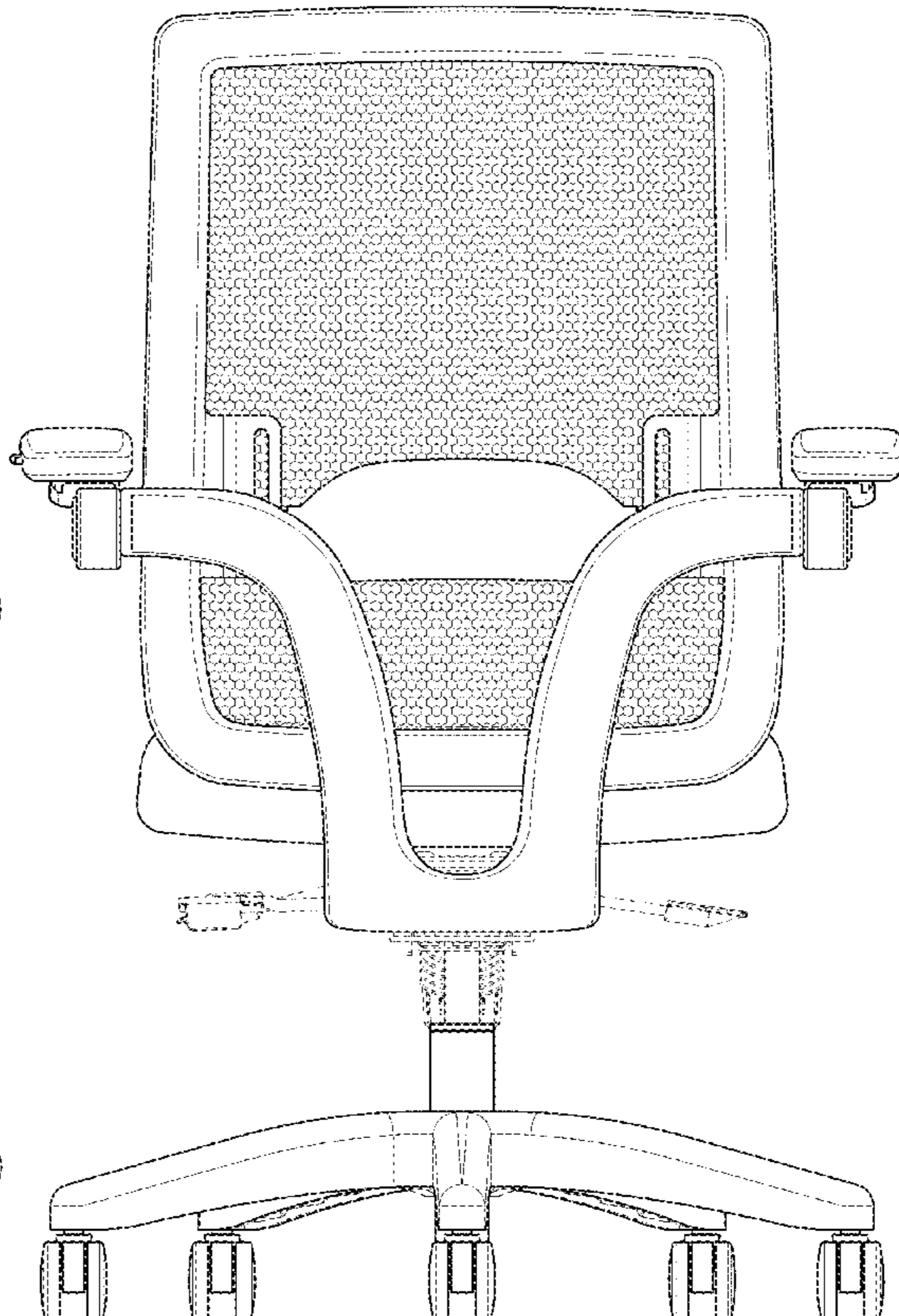
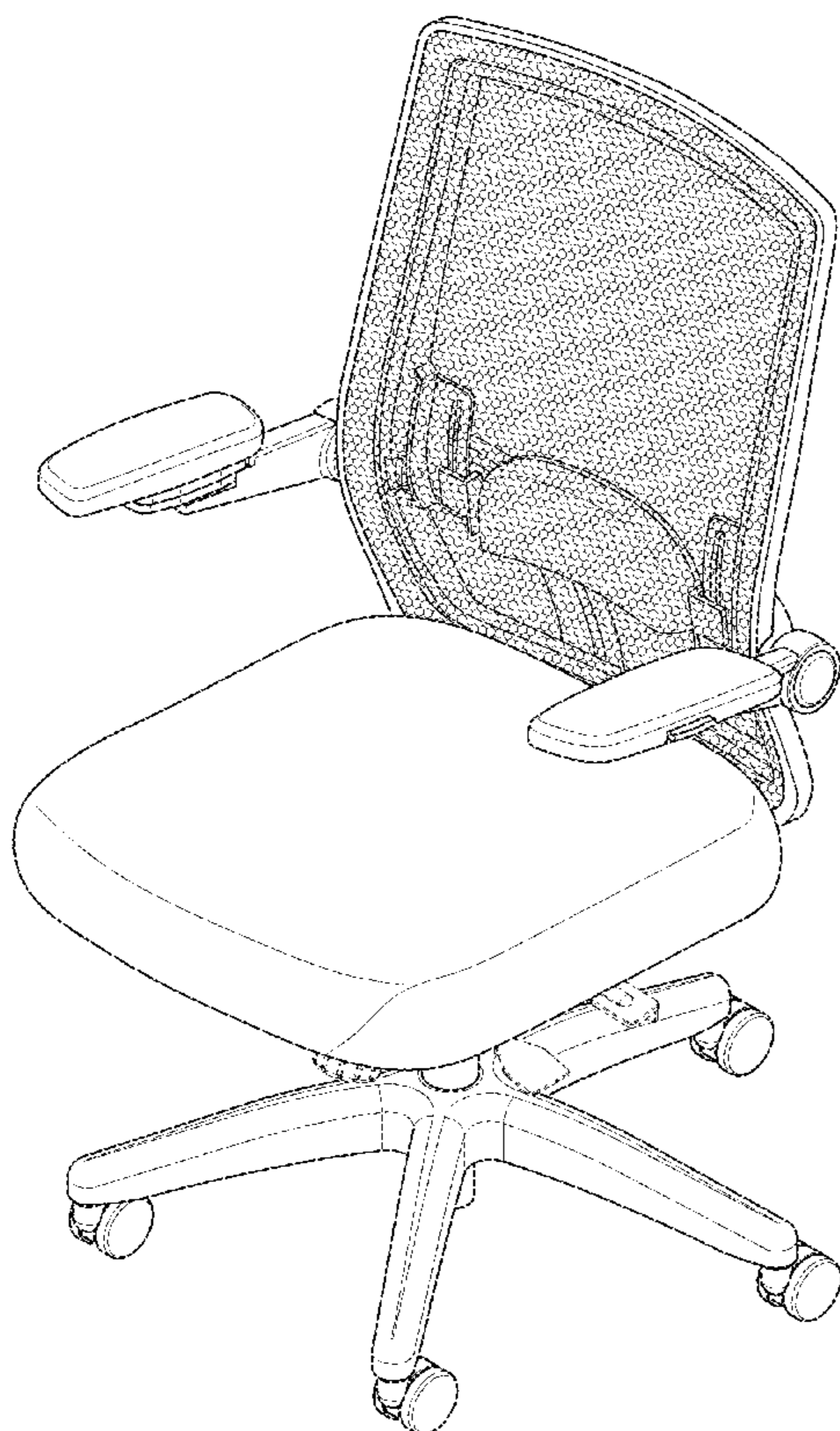
FIG. 6 is a top plan view thereof; and,

FIG. 7 is a bottom plan view thereof.

(56) **References Cited**  
U.S. PATENT DOCUMENTS

|          |     |        |        |       |        |
|----------|-----|--------|--------|-------|--------|
| D493,626 | S * | 8/2004 | James  | ..... | D6/366 |
| D534,384 | S * | 1/2007 | Su     | ..... | D6/366 |
| D540,080 | S * | 4/2007 | Su     | ..... | D6/366 |
| D600,462 | S * | 9/2009 | Ooki   | ..... | D6/366 |
| D636,614 | S * | 4/2011 | Sander | ..... | D6/366 |

**1 Claim, 7 Drawing Sheets**



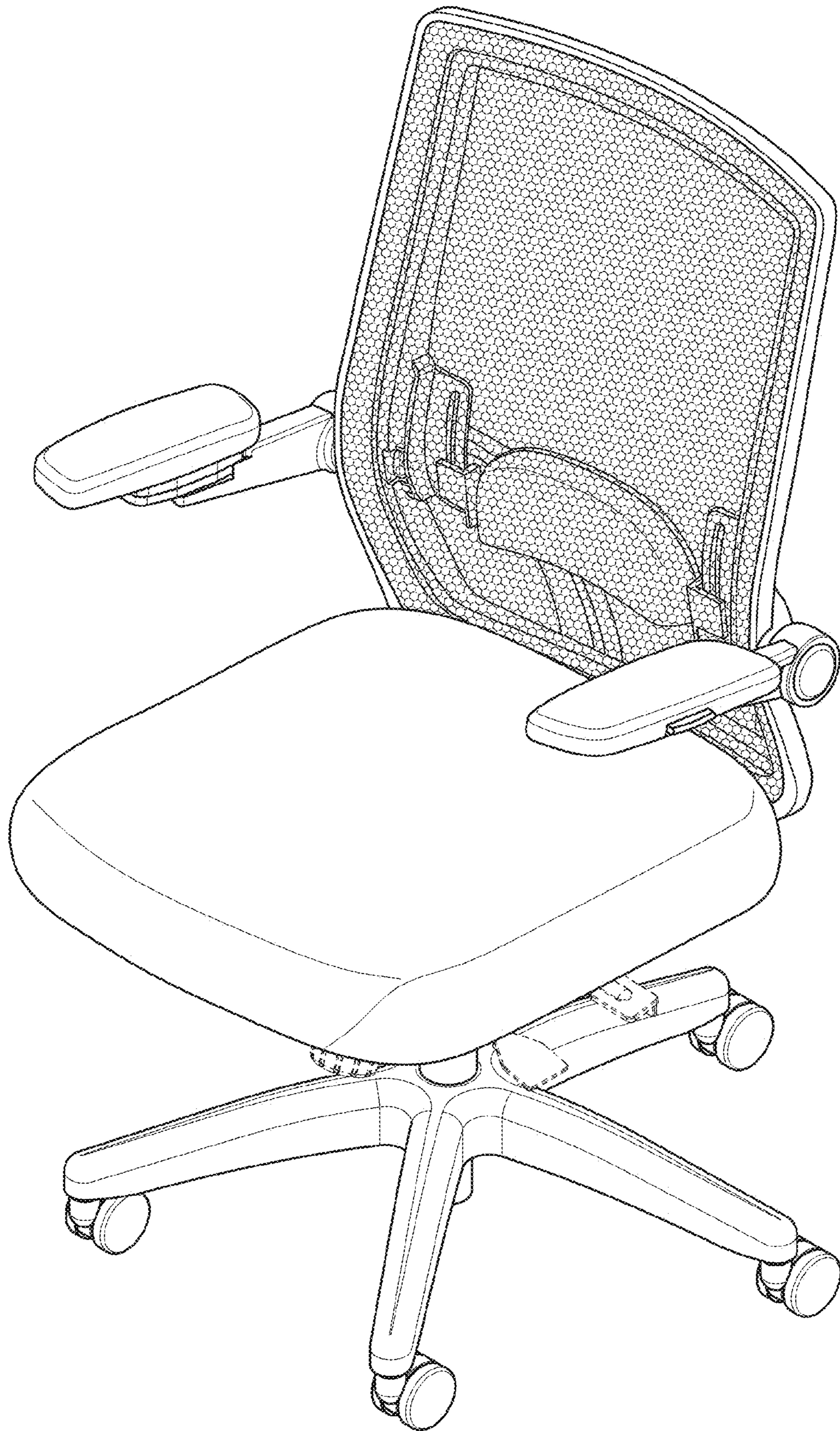


FIG. 1

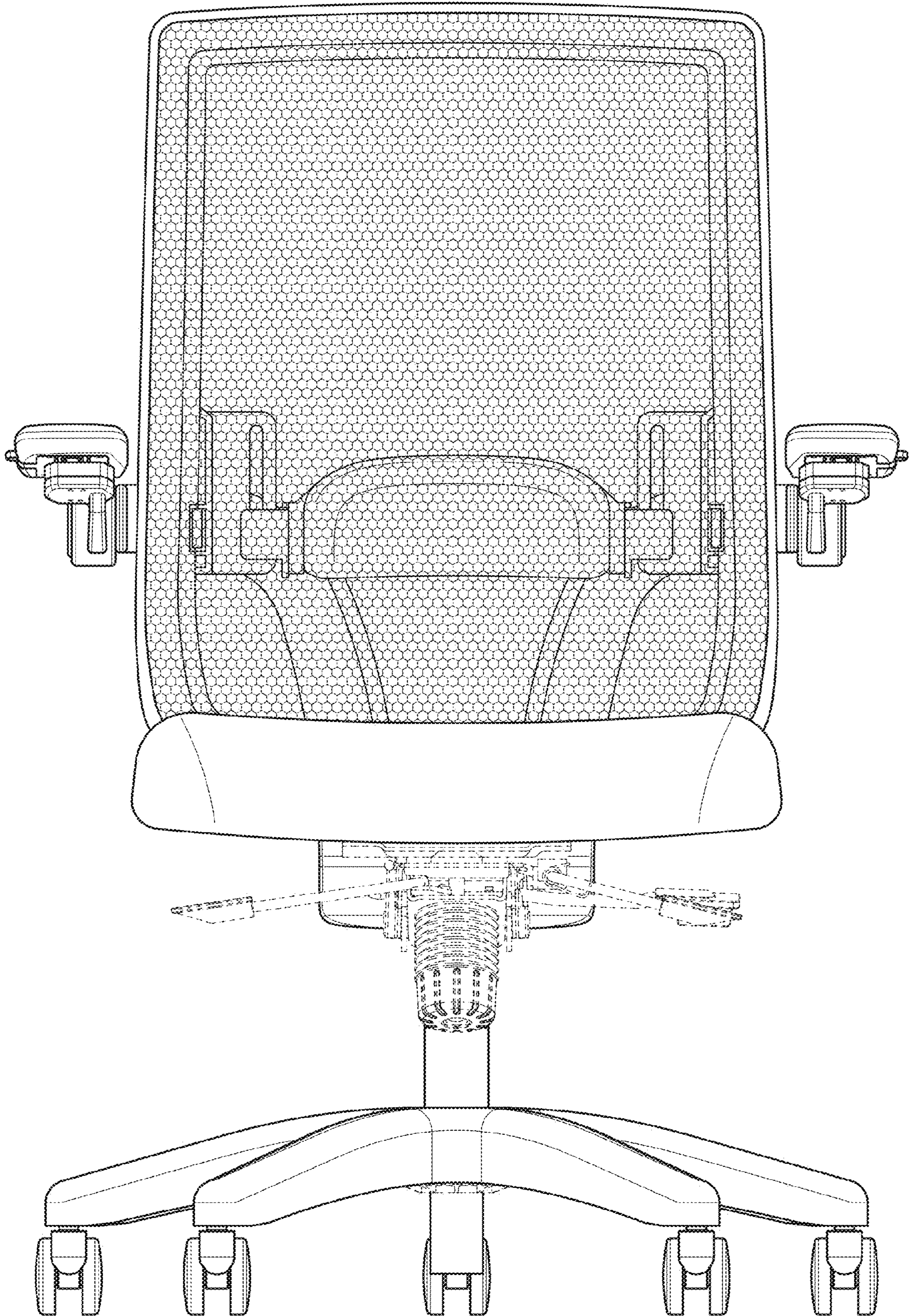


FIG. 2

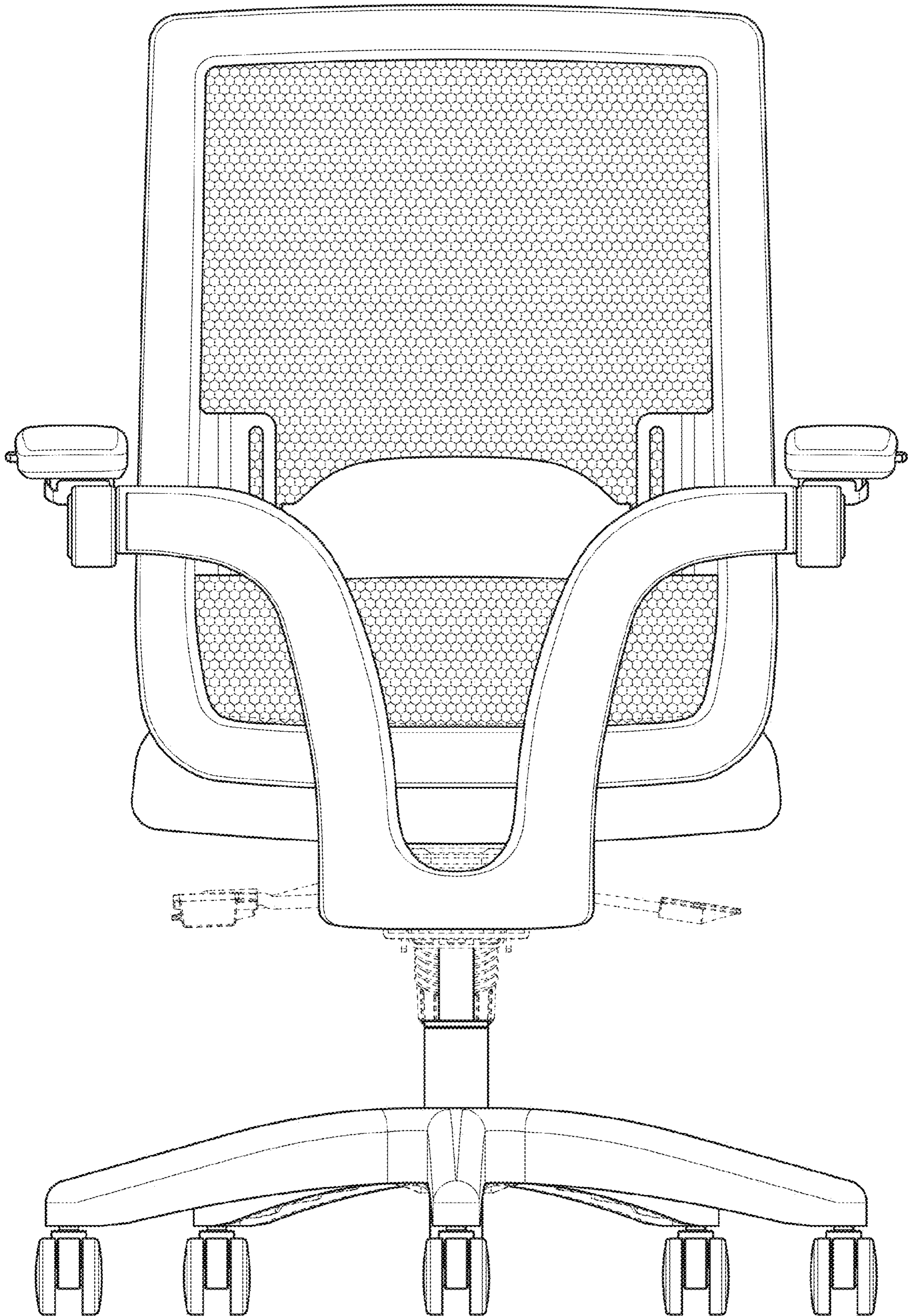
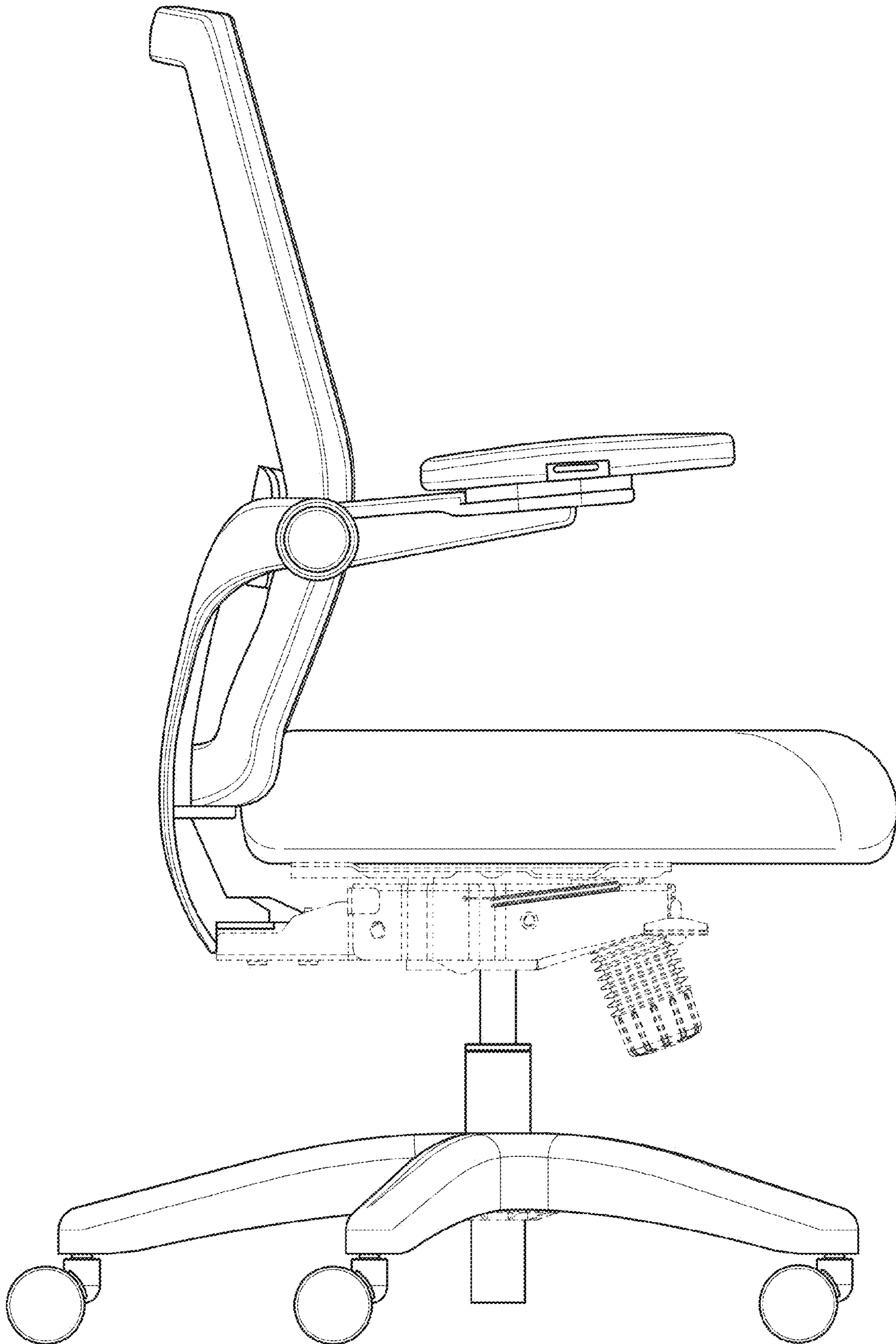


FIG. 3



F I G . 4

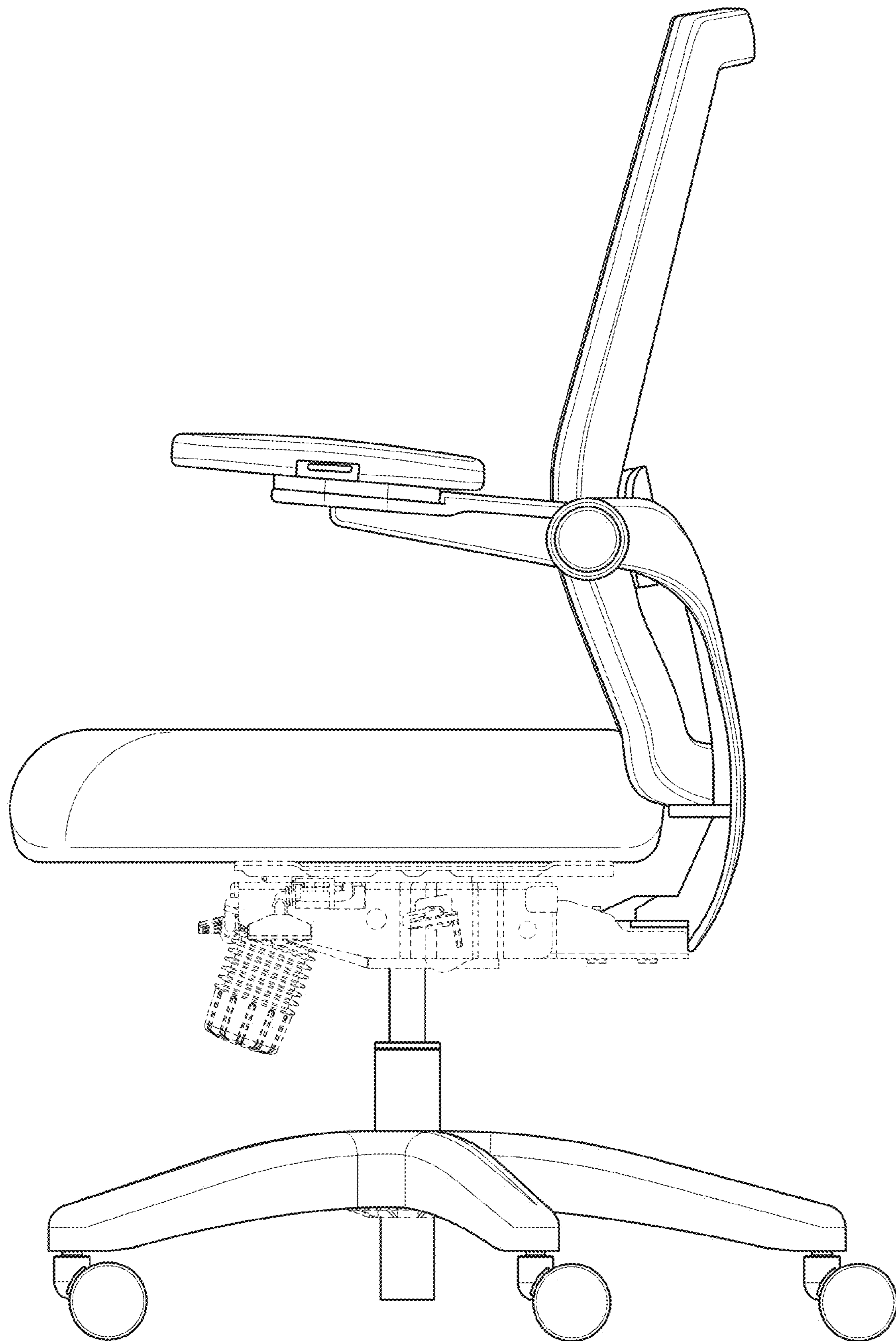


FIG. 5

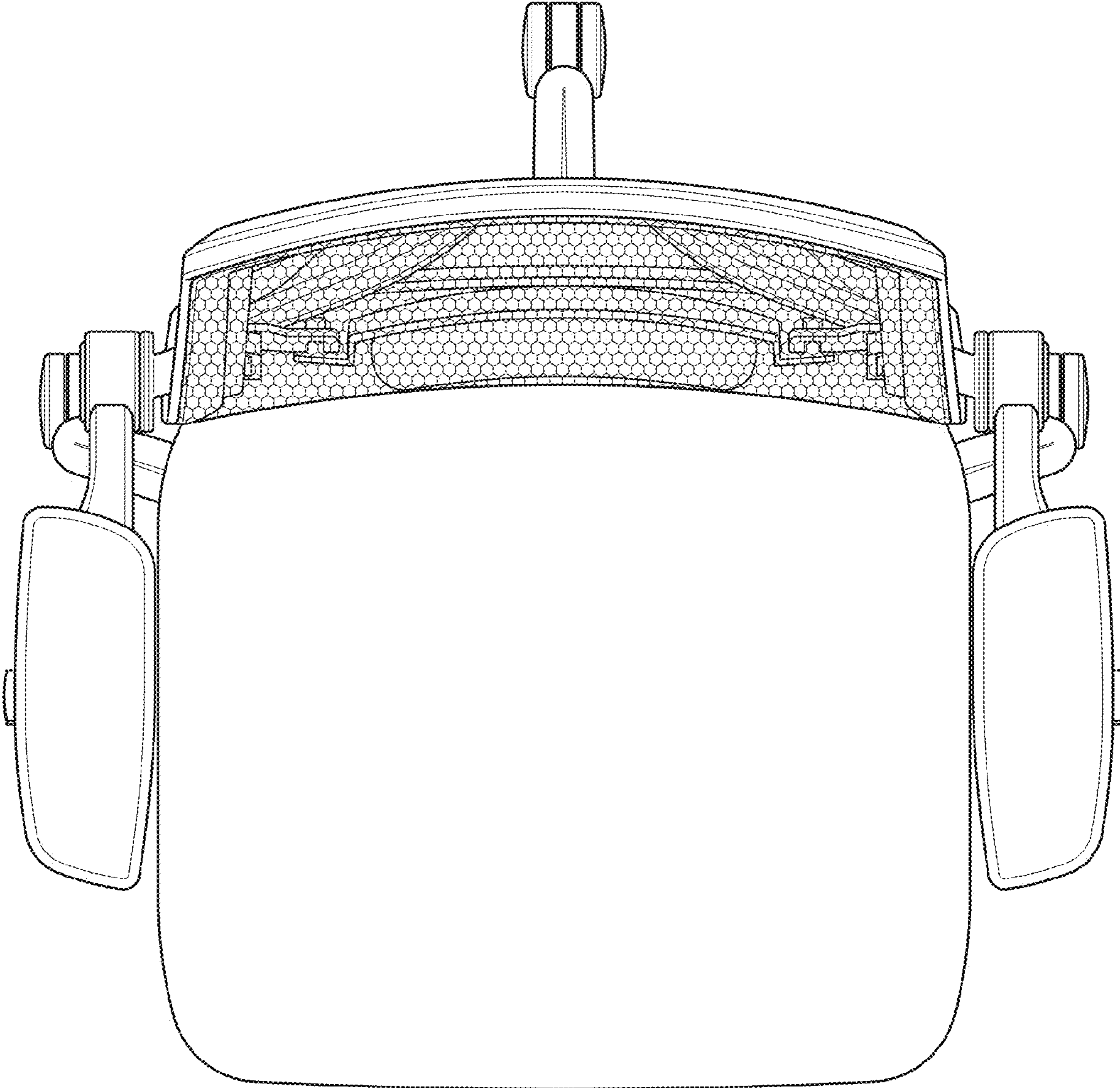
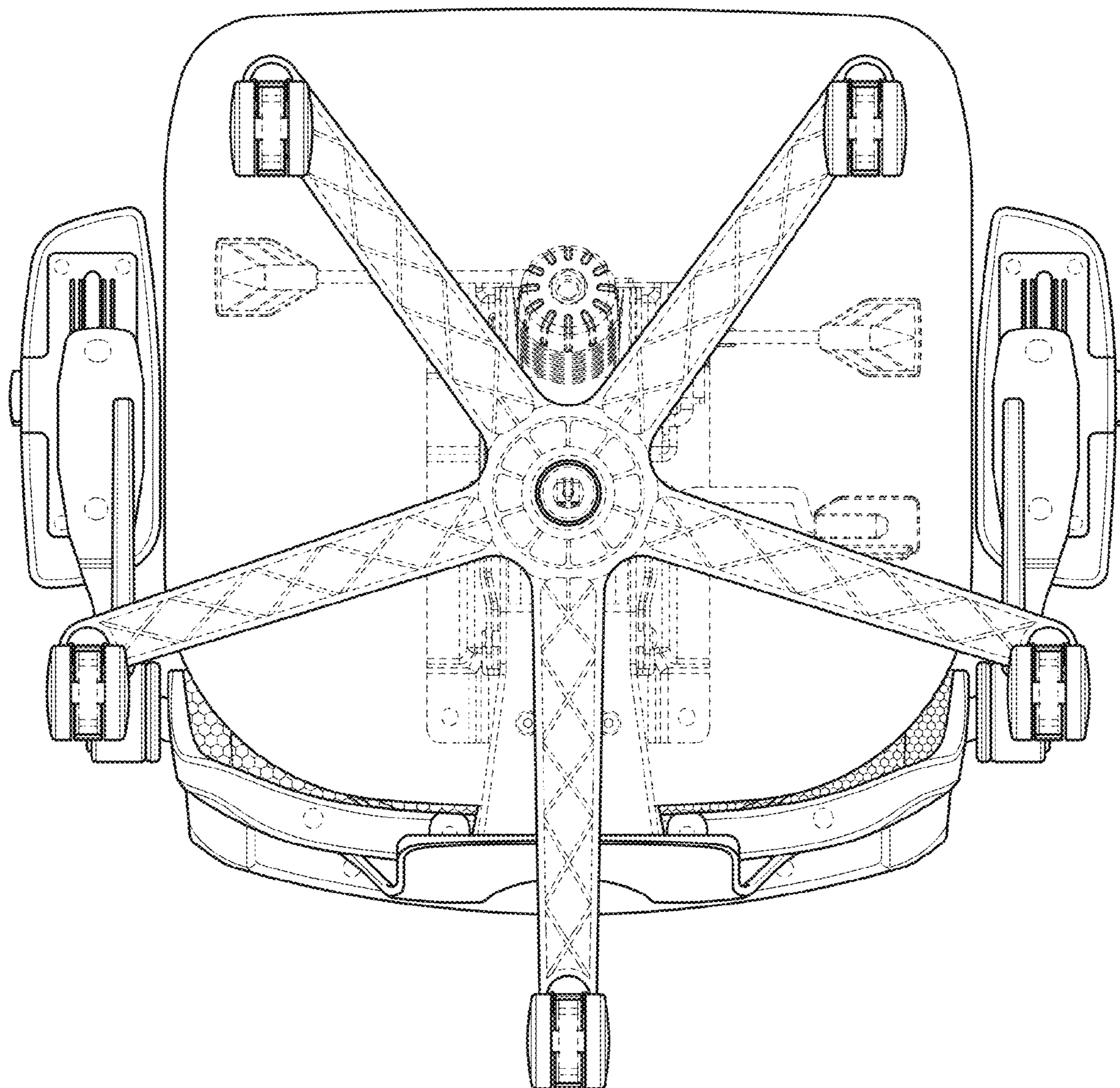


FIG. 6



F I G . 7