



US00D920695S

(12) **United States Design Patent** (10) **Patent No.:** **US D920,695 S**
Li (45) **Date of Patent:** **** Jun. 1, 2021**

(54) **CHAIR**
(71) Applicant: **39F USA INC**, Rancho Cucamonga, CA (US)
(72) Inventor: **Yuehai Li**, Rancho Cucamonga, CA (US)
(**) Term: **15 Years**
(21) Appl. No.: **29/697,400**
(22) Filed: **Jul. 8, 2019**
(51) **LOC (13) Cl.** **06-01**
(52) **U.S. Cl.**
USPC **D6/366**
(58) **Field of Classification Search**
USPC D6/334-336, 364, 365, 366, 367, 372, D6/373, 374, 375, 716, 716.1, 716.2, D6/716.4, 708.23, 708.24
CPC .. A47C 3/12; A47C 3/18; A47C 4/028; A47C 7/004; A47C 7/006; A47C 7/022; A47C 7/18; A47C 7/24; A47C 7/40; A47C 7/54; A47C 5/12; A47C 7/16
See application file for complete search history.

(56) **References Cited**
U.S. PATENT DOCUMENTS
3,408,106 A * 10/1968 Bolling A47C 5/12 297/452.14
3,521,929 A * 7/1970 Pearson A47C 7/18 297/452.14

D237,662 S *	11/1975	Subert	D6/334
D607,225 S *	1/2010	Bauchet	D6/375
D664,381 S *	7/2012	Kubryk	D6/716
D730,670 S *	6/2015	Kubryk	D6/716
D817,056 S *	5/2018	Neil	D6/716
D849,434 S *	5/2019	Hale	D6/364
D860,668 S *	9/2019	Magnusson	D6/366
D867,780 S *	11/2019	Krusin	D6/374
D886,483 S *	6/2020	Li	D6/374
D886,484 S *	6/2020	Li	D6/374
D888,449 S *	6/2020	Magnusson	D6/366
D899,799 S *	10/2020	Li	D6/366
D905,995 S *	12/2020	Li	D6/374
D906,708 S *	1/2021	Li	D6/366

* cited by examiner

Primary Examiner — Mimosa De
(74) *Attorney, Agent, or Firm* — Feng Qian

(57) **CLAIM**

The ornamental design for a chair, as shown and described.

DESCRIPTION

FIG. 1 is a front perspective view of a chair showing my new design;
FIG. 2 is a front elevation view thereof;
FIG. 3 is a rear elevation view thereof;
FIG. 4 is a left-side elevation view thereof;
FIG. 5 is a right-side elevation view thereof;
FIG. 6 is a top plan view thereof; and,
FIG. 7 is a bottom plan view thereof.
The broken lines shown in FIG. 7 depict portions of the chair that form no part of the claimed design.

1 Claim, 7 Drawing Sheets

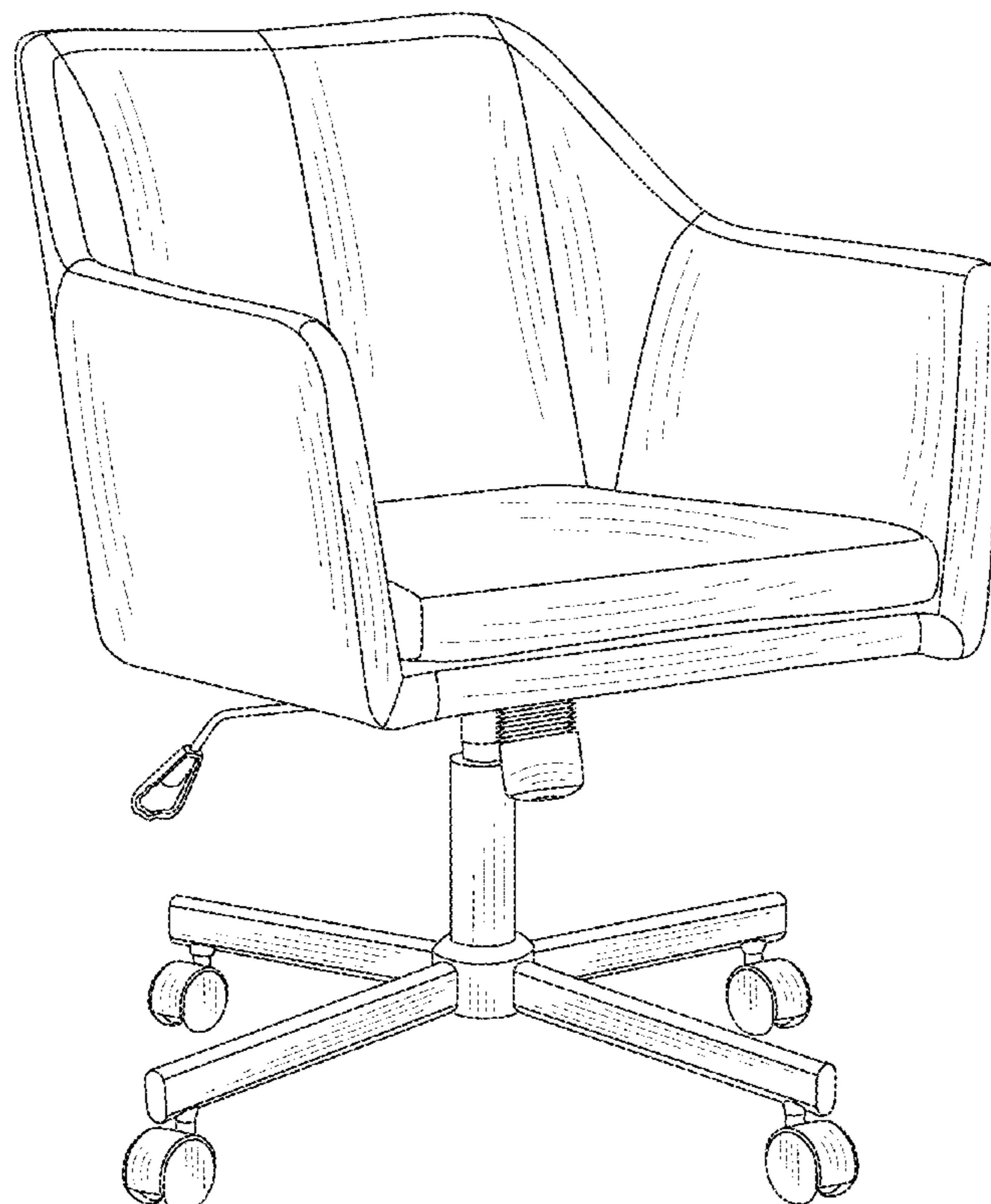




Fig. 1

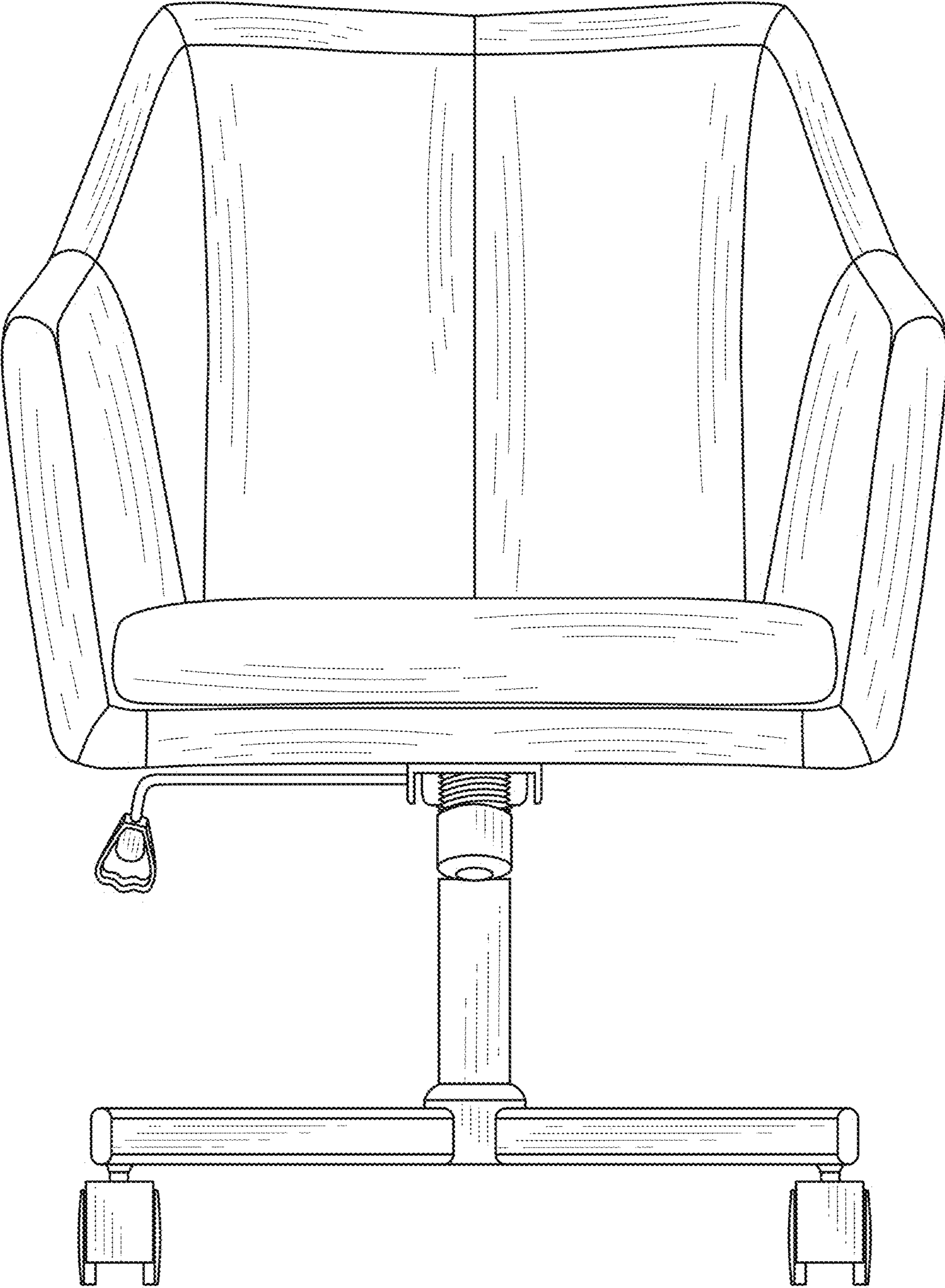


Fig. 2

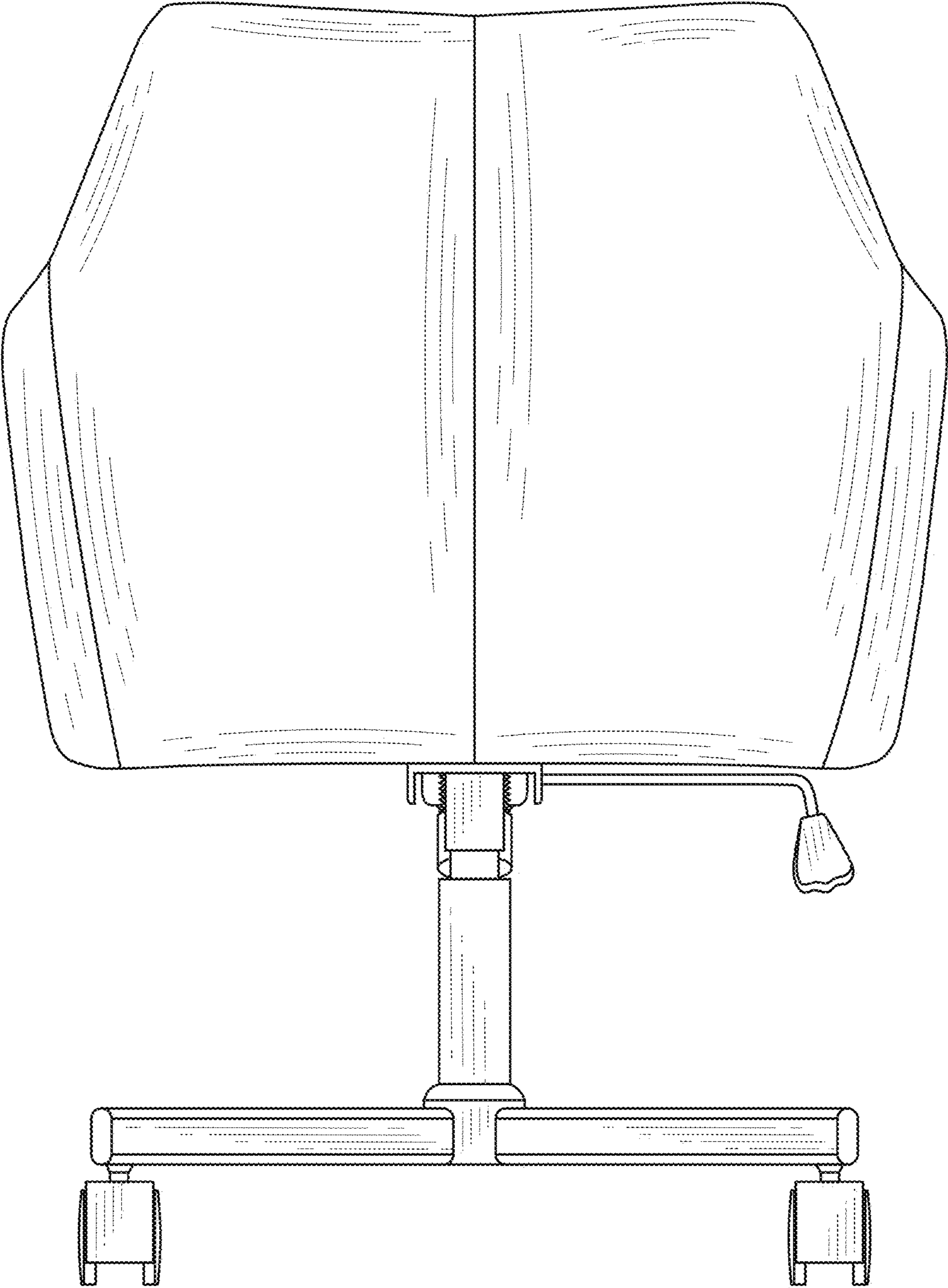


Fig. 3

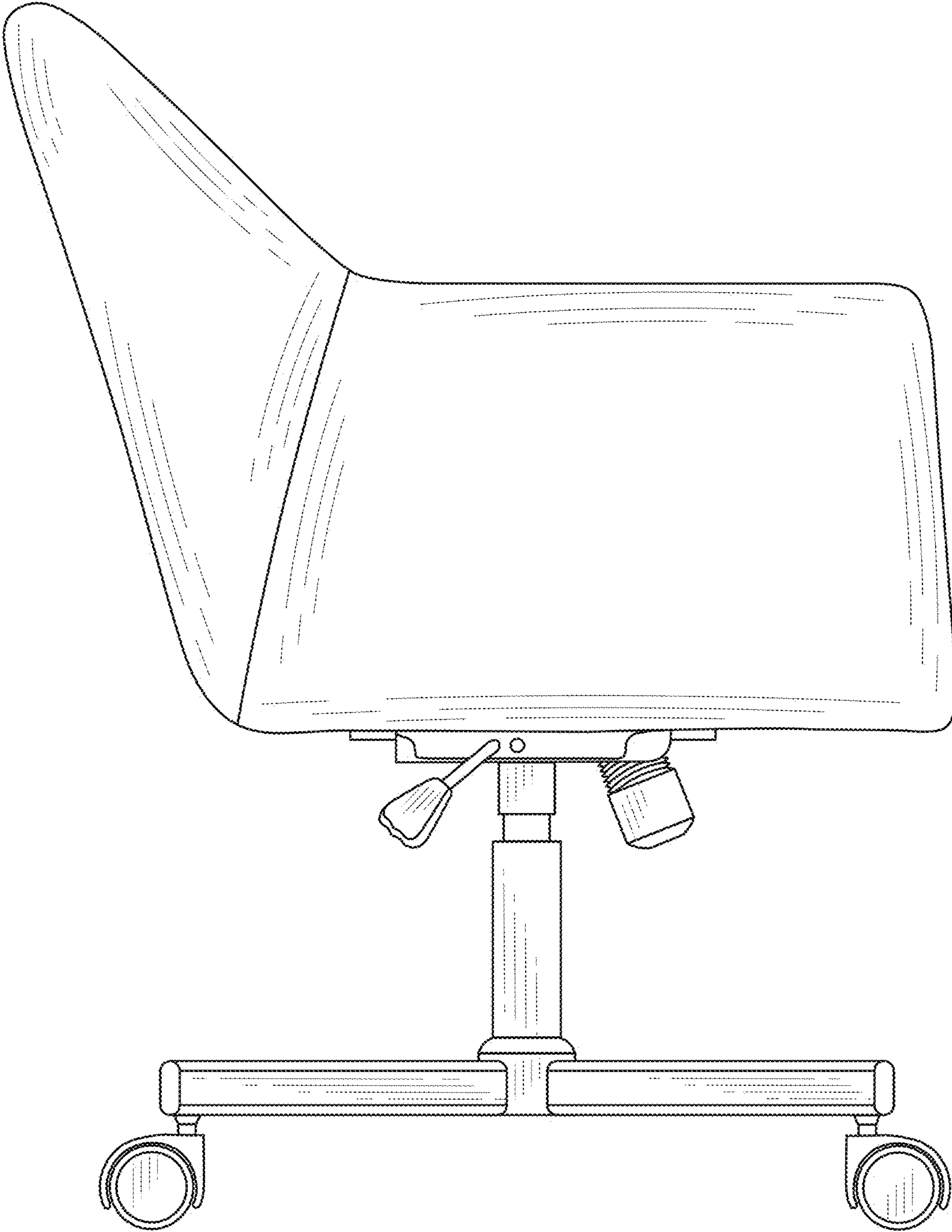


Fig. 4

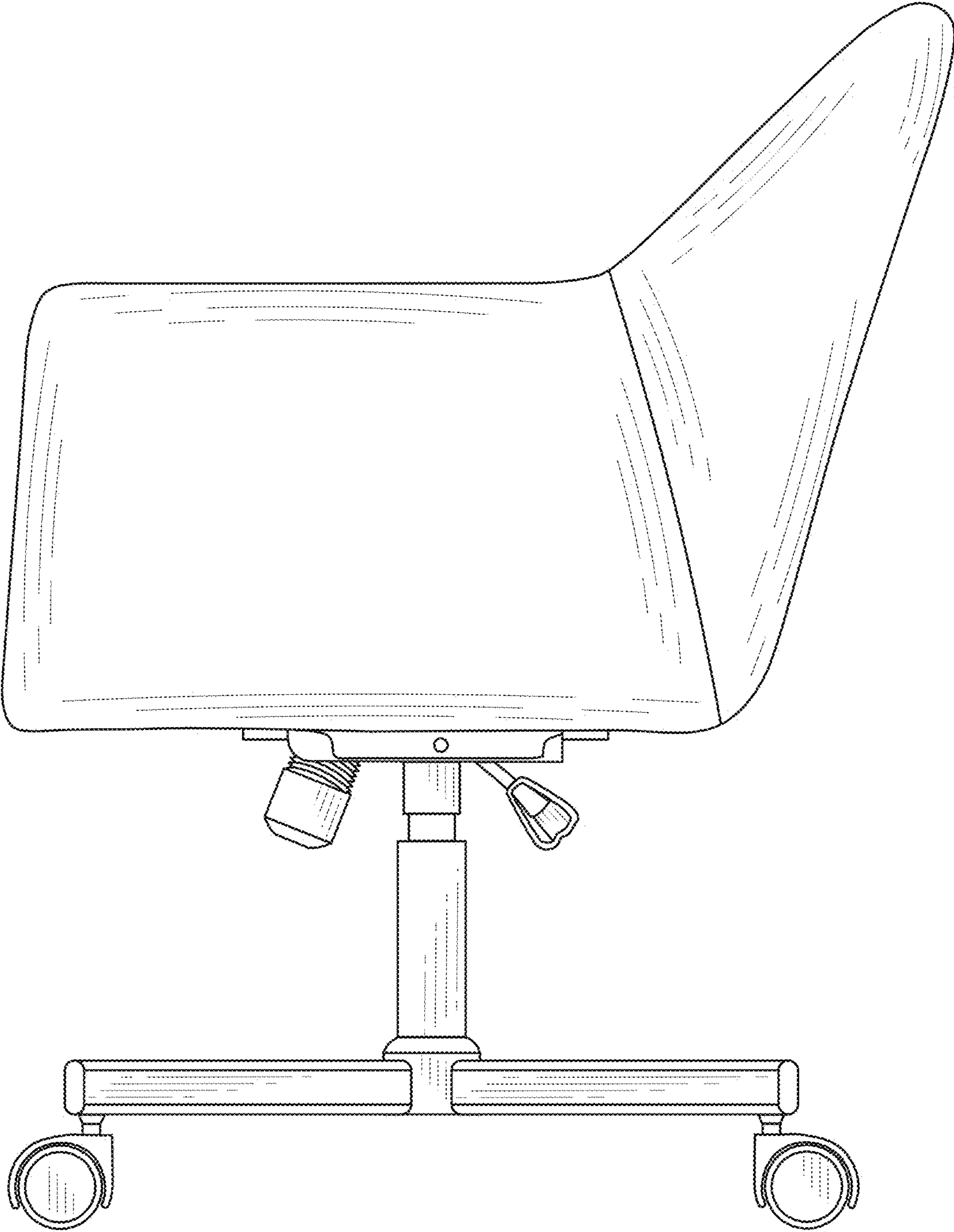


Fig. 5

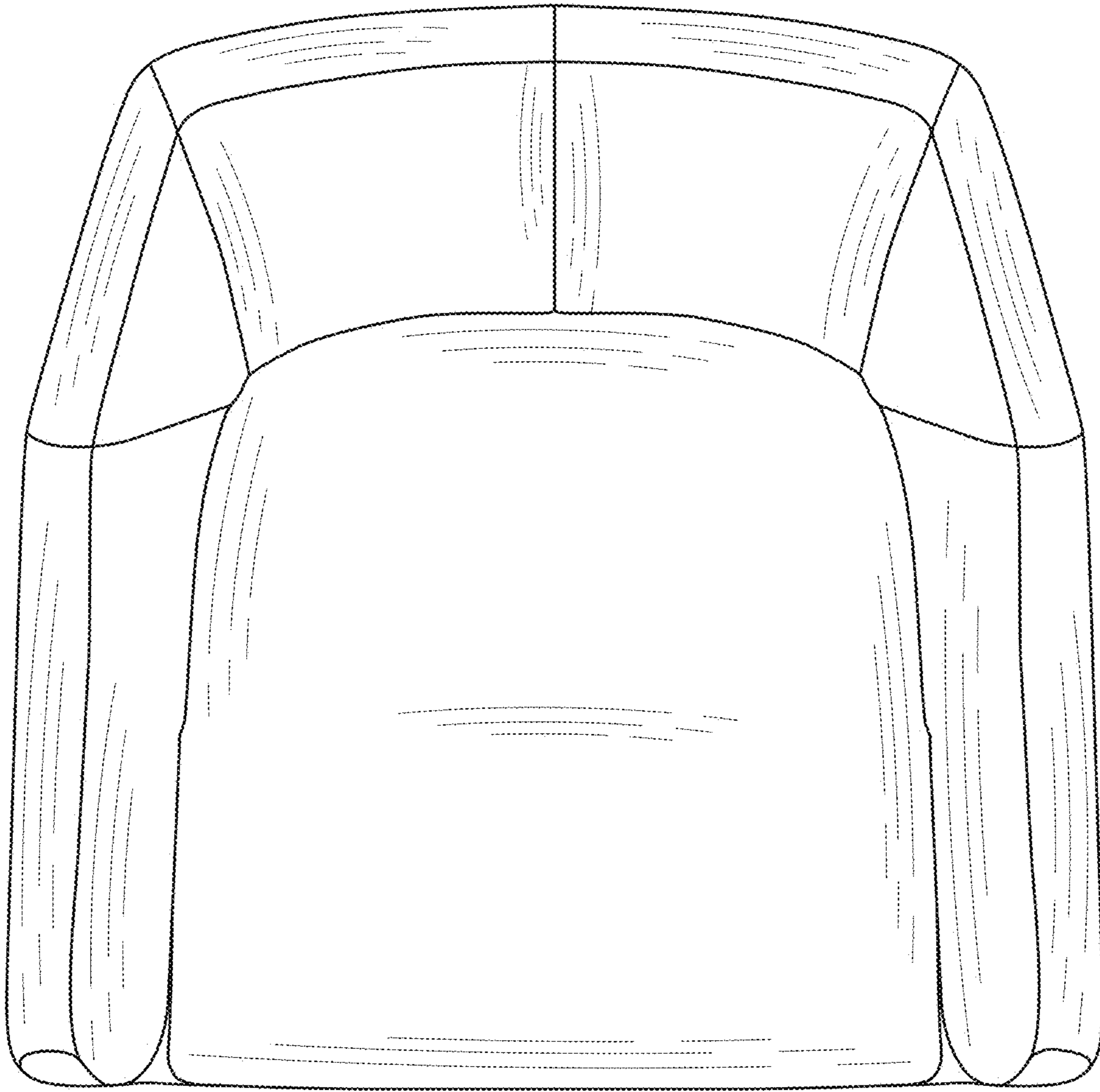


Fig. 6

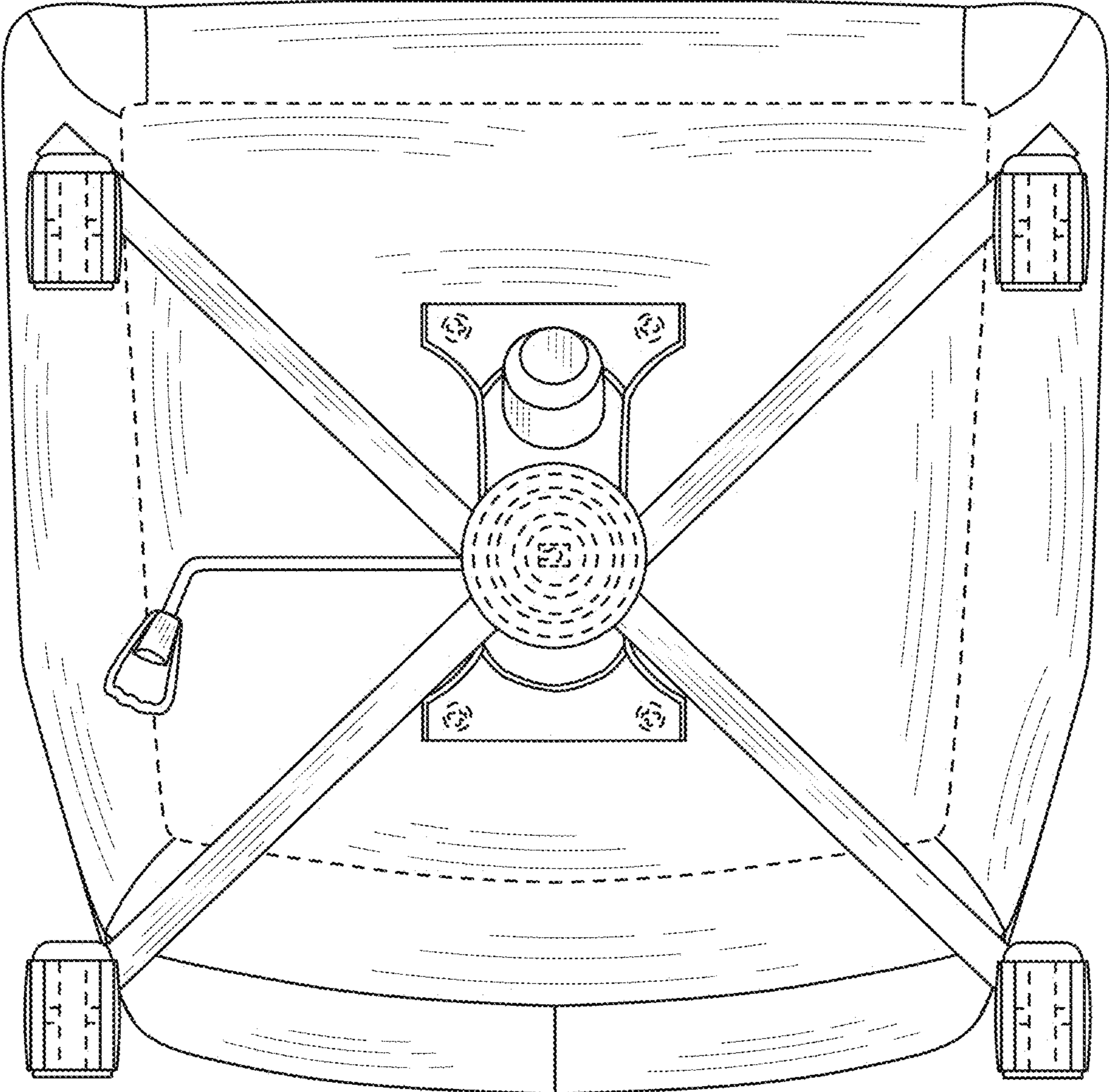


Fig. 7