



US00D920690S

(12) **United States Design Patent**
Leng

(10) **Patent No.:** **US D920,690 S**
(45) **Date of Patent:** **** Jun. 1, 2021**

- (54) **FOLDING TABLE**
- (71) Applicant: **New-Tec Integration (Xiamen) Co., Ltd.**, Xiamen (CN)
- (72) Inventor: **Luhao Leng**, Xiamen (CN)
- (73) Assignee: **New-Tec Integration (Xiamen) Co., Ltd.**, Xiamen (CN)
- (**) Term: **15 Years**
- (21) Appl. No.: **29/739,734**
- (22) Filed: **Jun. 29, 2020**

6,644,734 B1 * 11/2003 Tseng A47B 3/14
297/158.4
7,011,364 B2 * 3/2006 Meskill A47B 3/0912
108/127
10,206,496 B1 * 2/2019 Miller A47B 85/04
(Continued)

FOREIGN PATENT DOCUMENTS

EM 006269387-0001 * 2/2019
EM 006269387-0002 * 2/2019
(Continued)

OTHER PUBLICATIONS

Innovative and Sturdy Your Zone Folding Kid's Activity Table [online], [site visited Jul. 22, 2020]. Available from internet, URL:<https://www.amazon.com/Innovative-Activity-Homework-Wonderful-Classroom/dp/B07QP9796G/ref=sr_1_1?dchild=1&keywords=Yzone&qid=1595420529&sr=8-1> (Year: 2019).*

Primary Examiner — Cynthia Ramirez
Assistant Examiner — Xavier Marti-Santos
(74) *Attorney, Agent, or Firm* — Cooper Legal Group, LLC

Related U.S. Application Data

- (62) Division of application No. 29/681,734, filed on Feb. 27, 2019, now Pat. No. Des. 903,347.

Foreign Application Priority Data

Aug. 27, 2018 (CN) 201830477635.X

(51) **LOC (13) Cl.** **06-01**

(52) **U.S. Cl.**
USPC **D6/353**

(58) **Field of Classification Search**
USPC D6/334, 335-337, 340, 349, 353
CPC A47C 16/00; A47C 16/02; A47C 16/03;
A47C 16/04; A47C 13/00; A47C 11/00;
A47C 12/00; A47K 17/02; A47K 17/028;
A47B 7/00; A47B 7/01; A47B 7/02
See application file for complete search history.

References Cited

U.S. PATENT DOCUMENTS

(56) 6,186,590 B1 * 2/2001 Tseng A47B 3/14
297/108
D442,788 S * 5/2001 Nye D6/337
6,347,831 B1 * 2/2002 Nye A47B 3/14
297/118

(57) **CLAIM**

The ornamental design for a folding table, as shown and described.

DESCRIPTION

FIG. 1 is a left side view of a folding table showing my new design;
FIG. 2 is a right side view thereof;
FIG. 3 is a front view thereof;
FIG. 4 is a rear view thereof;
FIG. 5 is a top plan view thereof;
FIG. 6 is a bottom plan view thereof;
FIG. 7 is a perspective view thereof;
FIG. 8 is another perspective view thereof, showing half folded position; and,

(Continued)

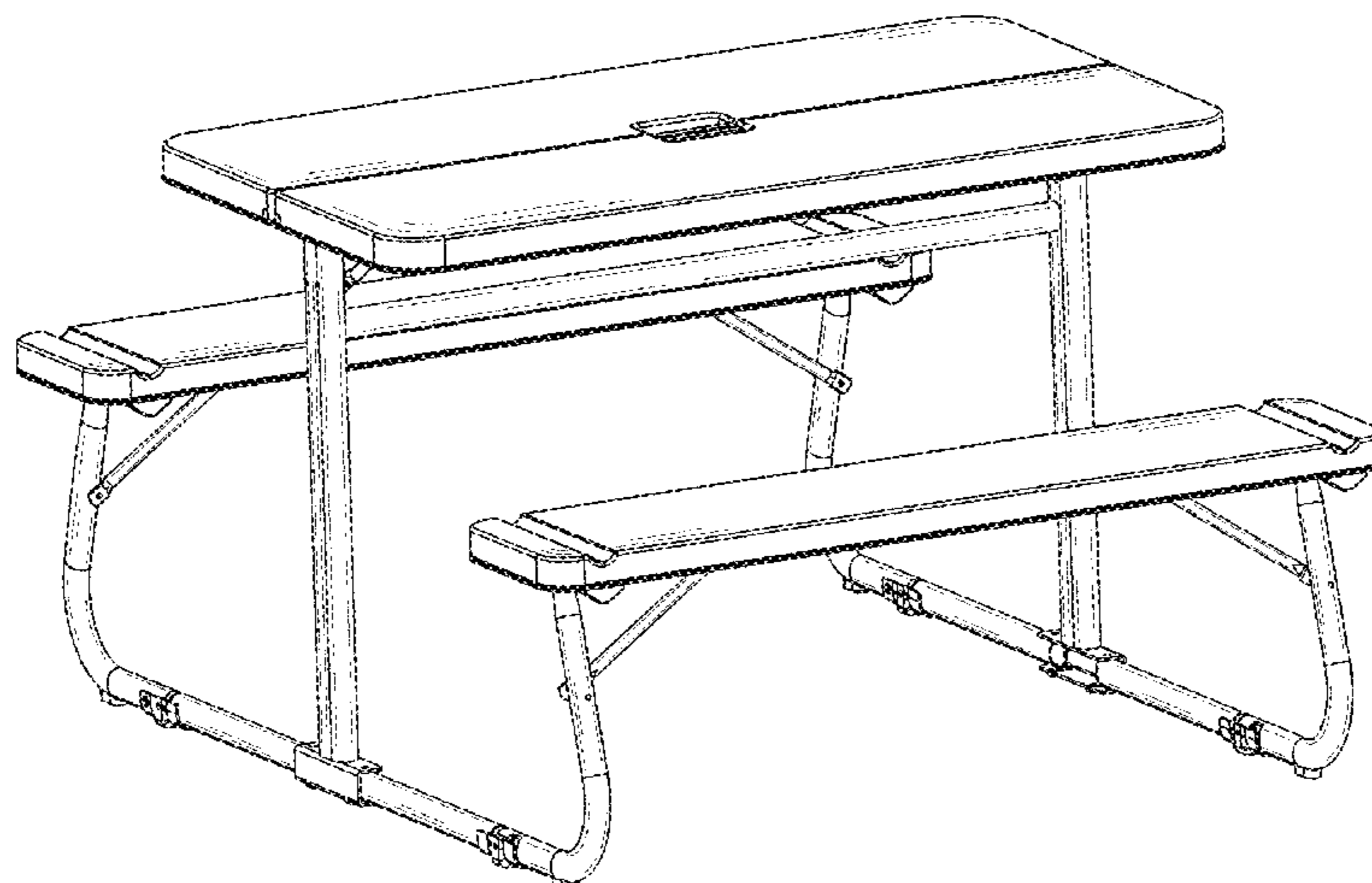


FIG. 9 is another perspective view thereof, showing fully folded position.

1 Claim, 9 Drawing Sheets

(56)

References Cited

U.S. PATENT DOCUMENTS

| | | | | | | |
|--------------|----|---|---------|------|-------|-----------|
| D845,011 | S | * | 4/2019 | Wang | | D6/337 |
| D893,898 | S | * | 8/2020 | Leng | | D6/337 |
| D895,345 | S | * | 9/2020 | Leng | | D7/337 |
| D900,490 | S | * | 11/2020 | Yu | | D6/337 |
| D903,347 | S | * | 12/2020 | Leng | | D6/353 |
| 2006/0181114 | A1 | * | 8/2006 | Nye | | A47B 3/14 |
| | | | | | | 297/158.3 |
| 2020/0170401 | A1 | * | 6/2020 | Leng | | A47B 3/14 |

FOREIGN PATENT DOCUMENTS

| | | | |
|----|----------|---|--------|
| JP | D1643238 | * | 2/2019 |
| JP | D1643239 | * | 2/2019 |

* cited by examiner

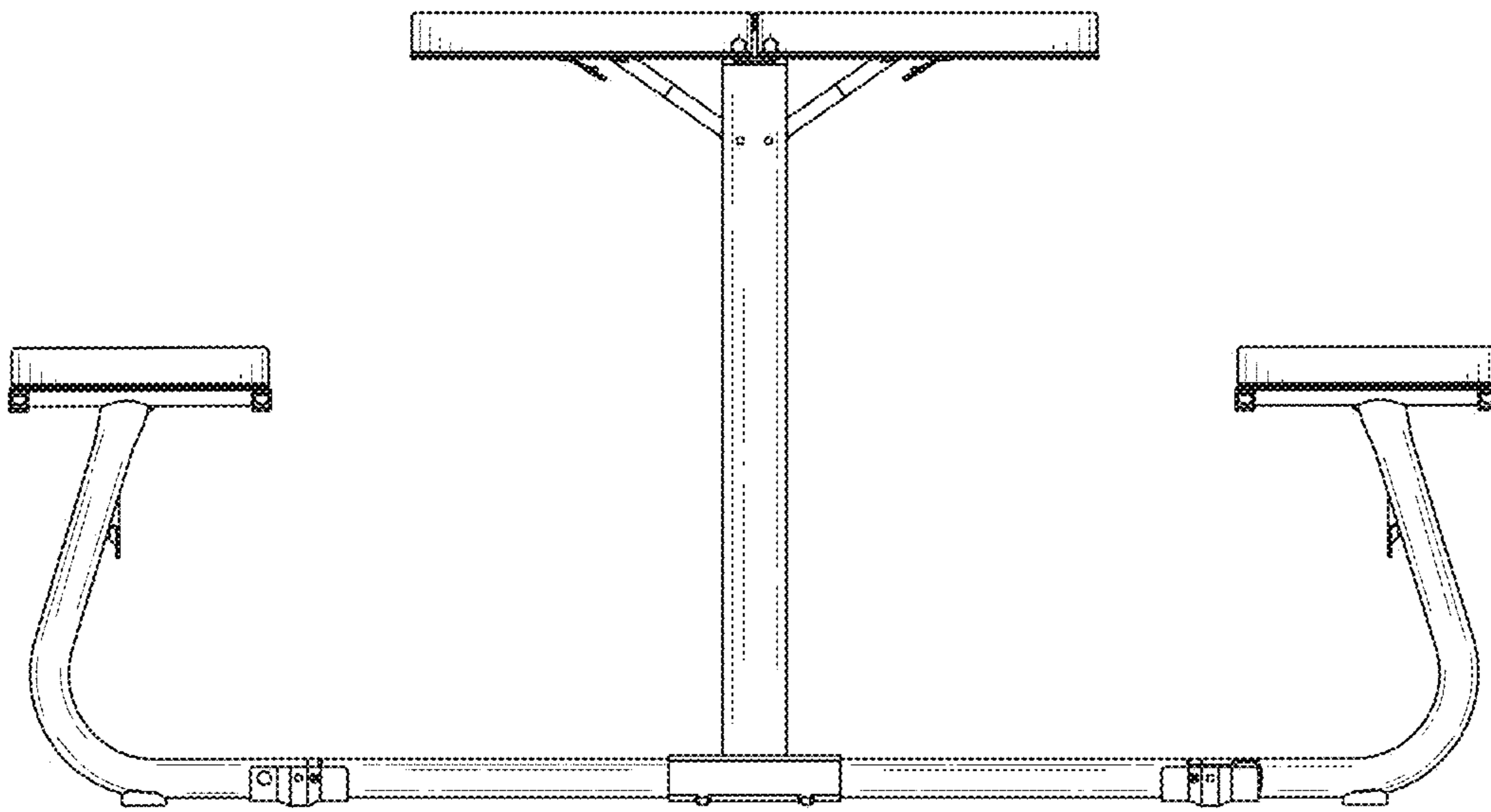


FIG. 1

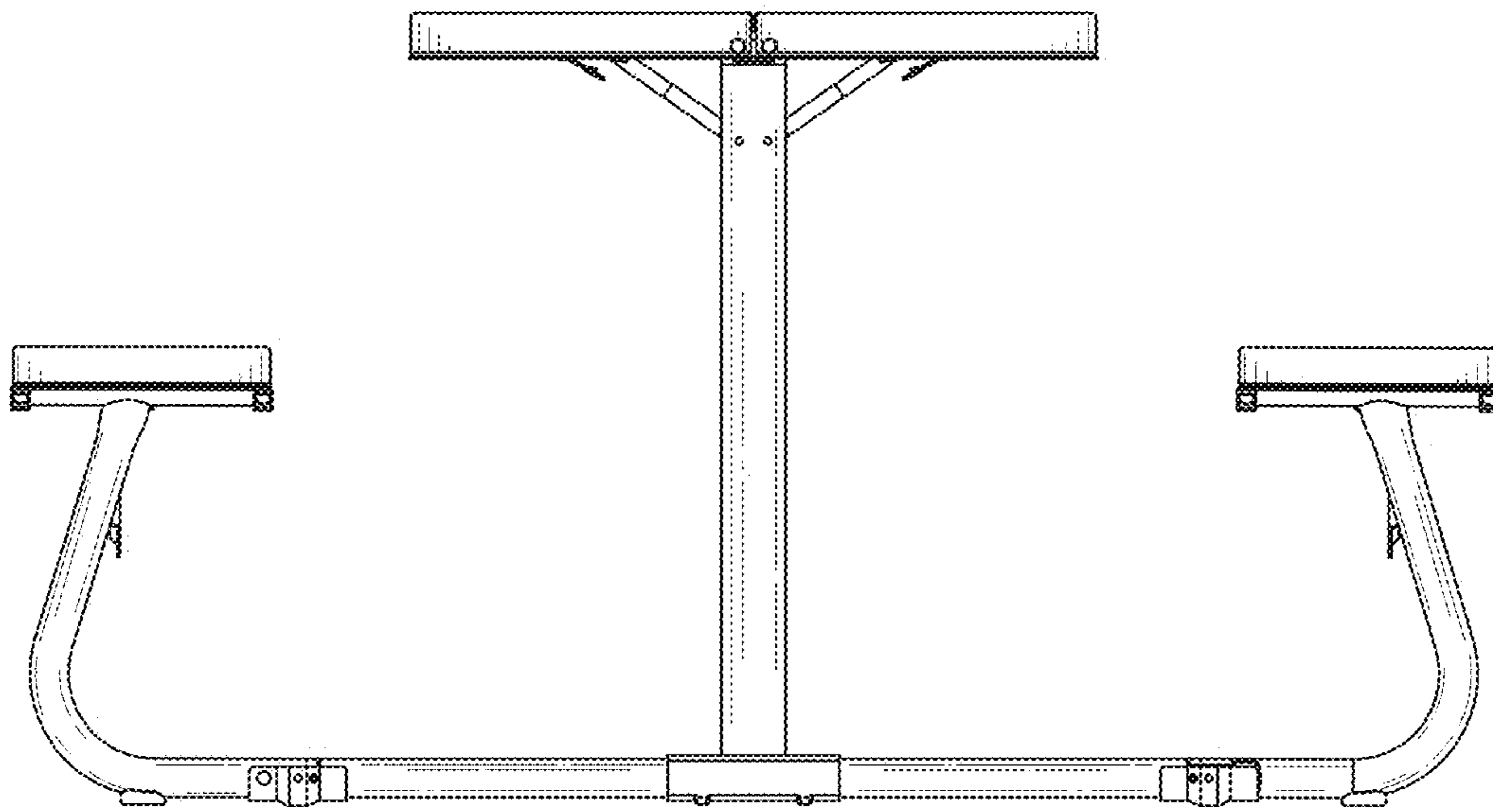


FIG. 2

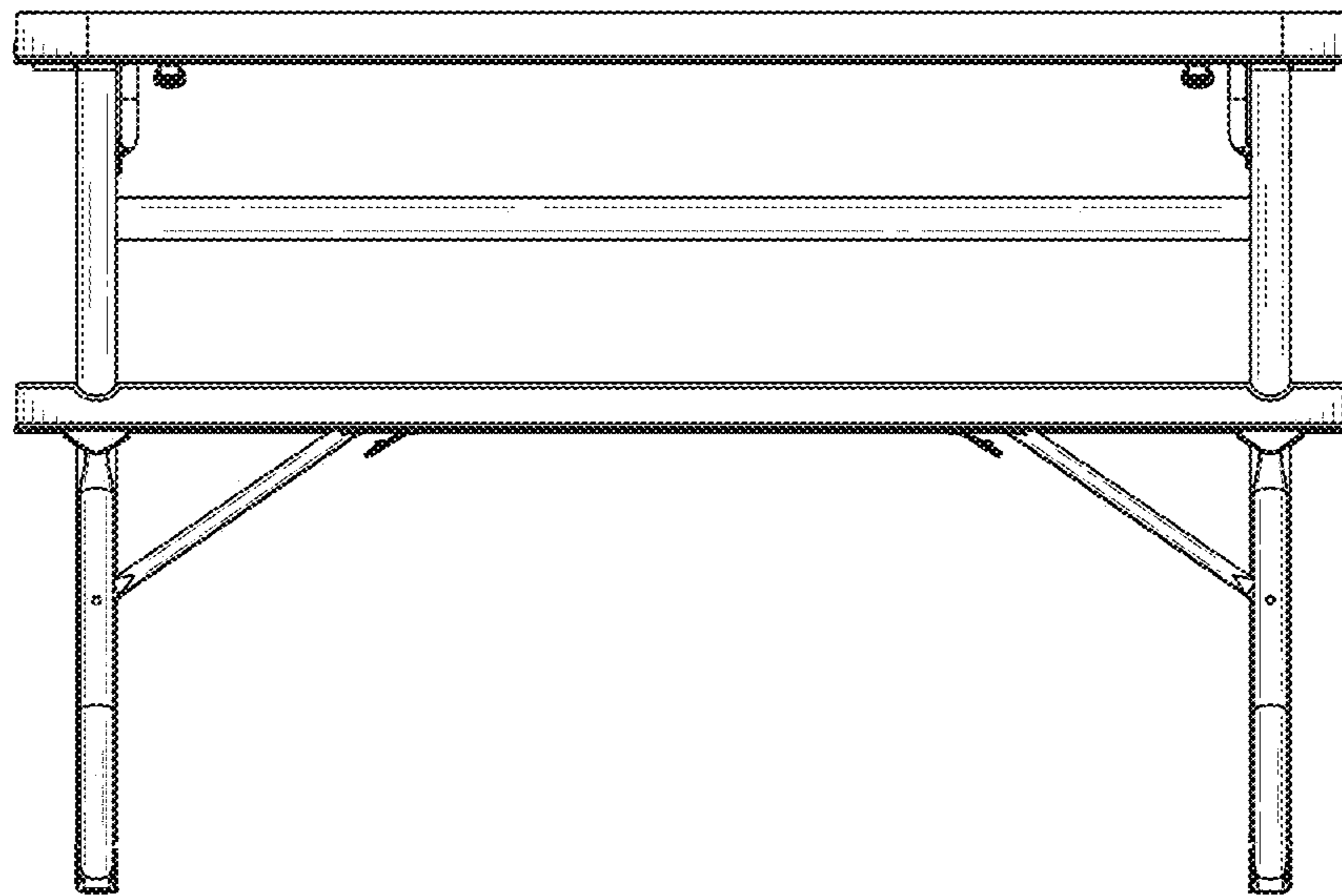


FIG. 3

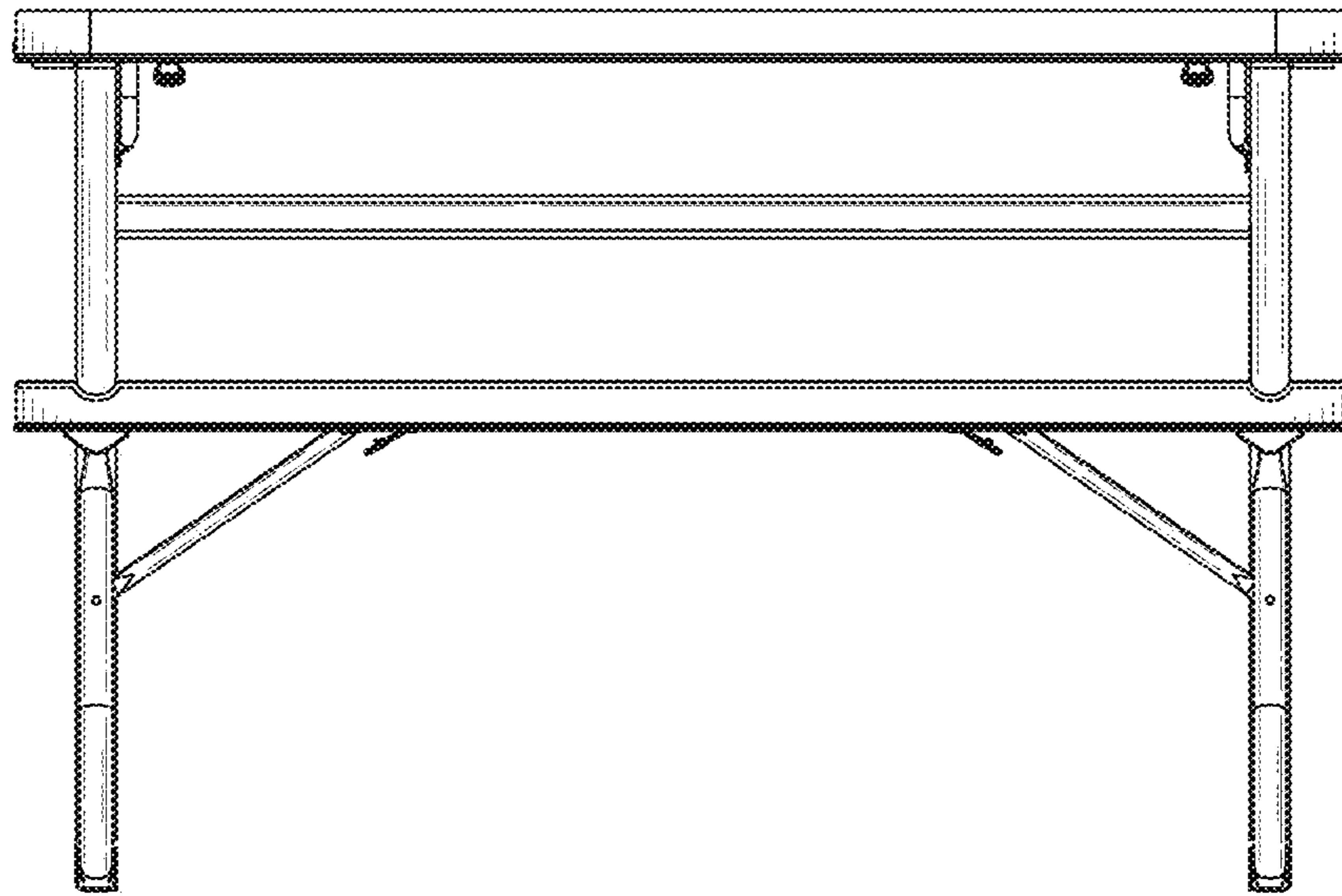


FIG. 4

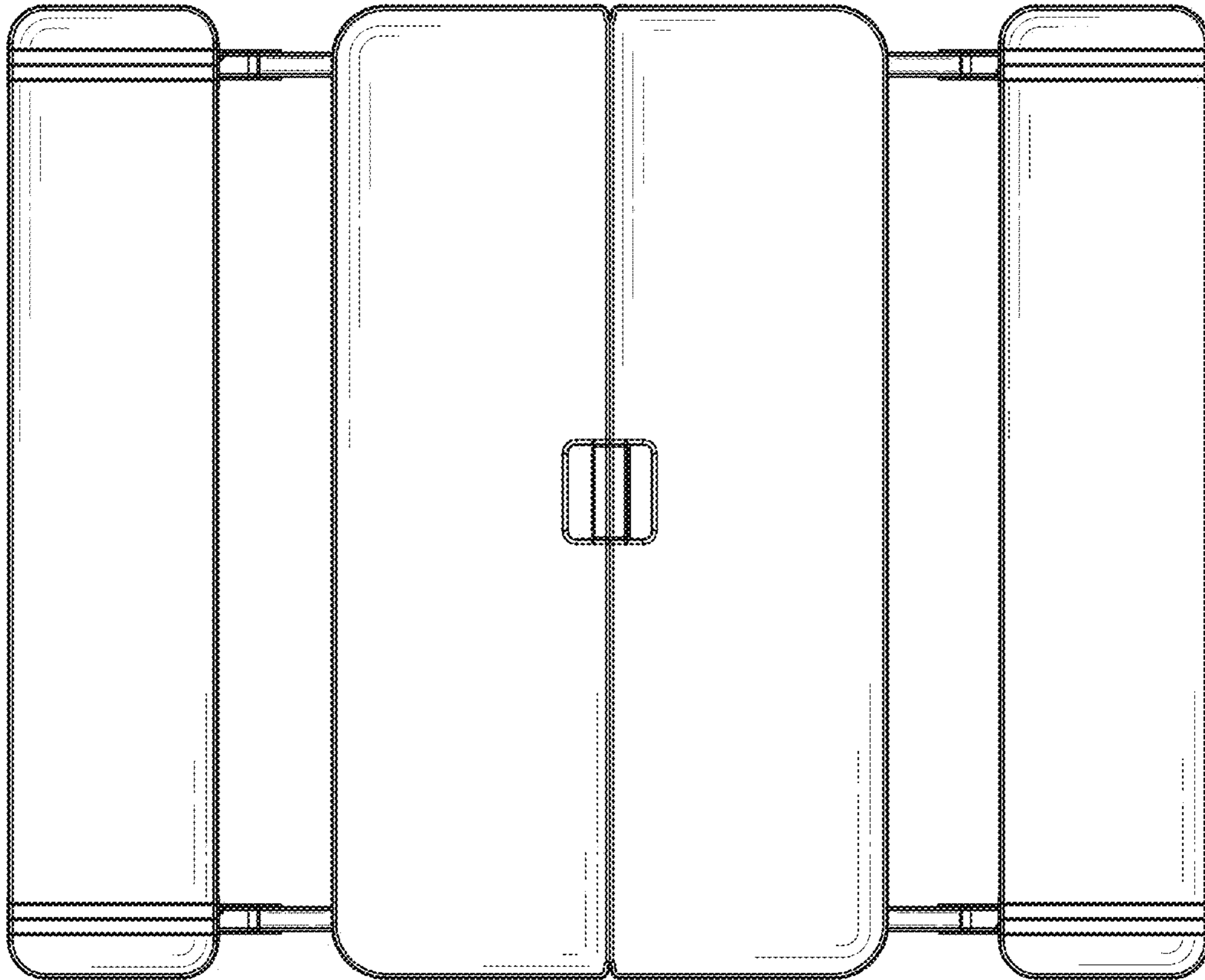


FIG. 5

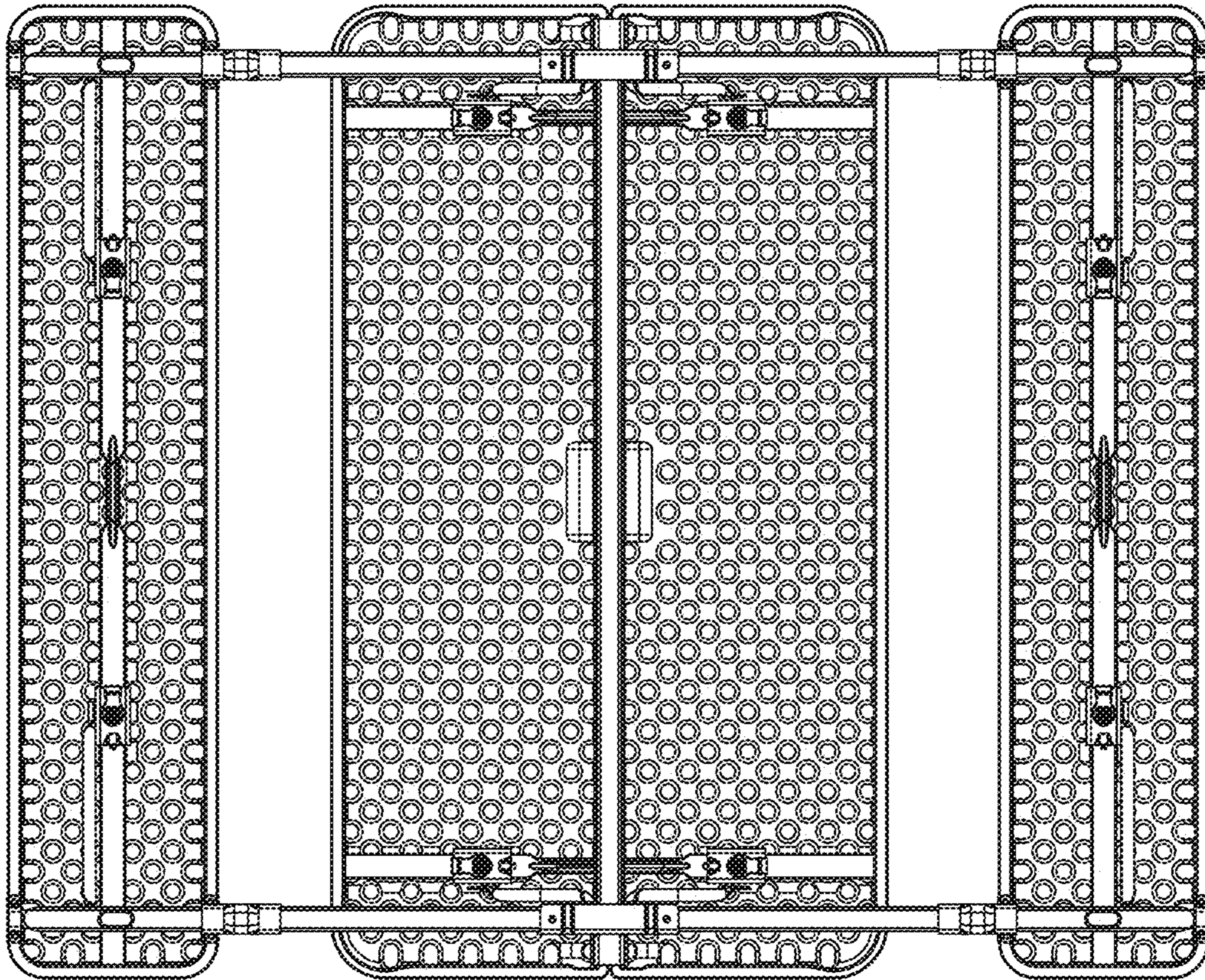


FIG. 6

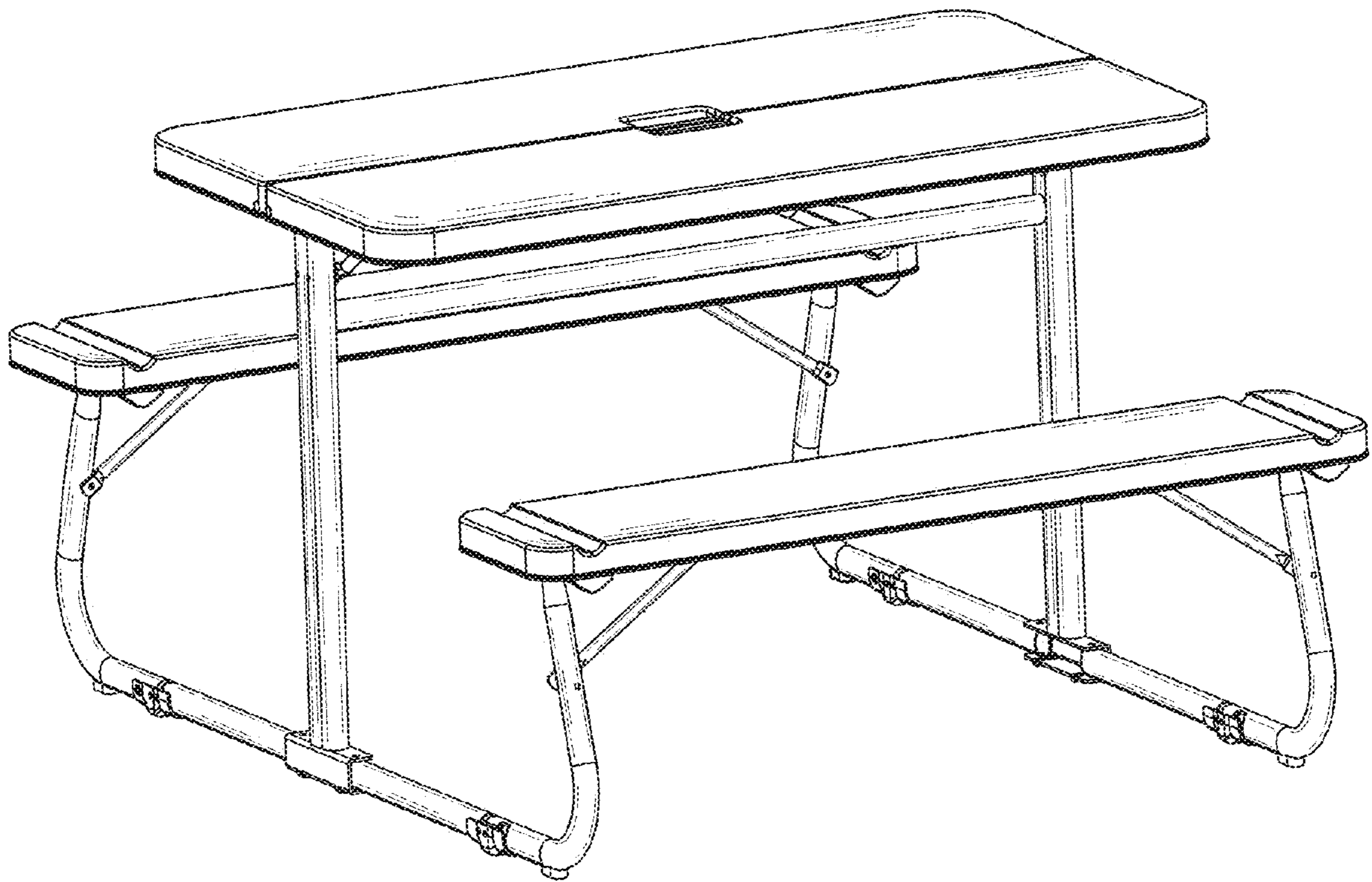


FIG. 7

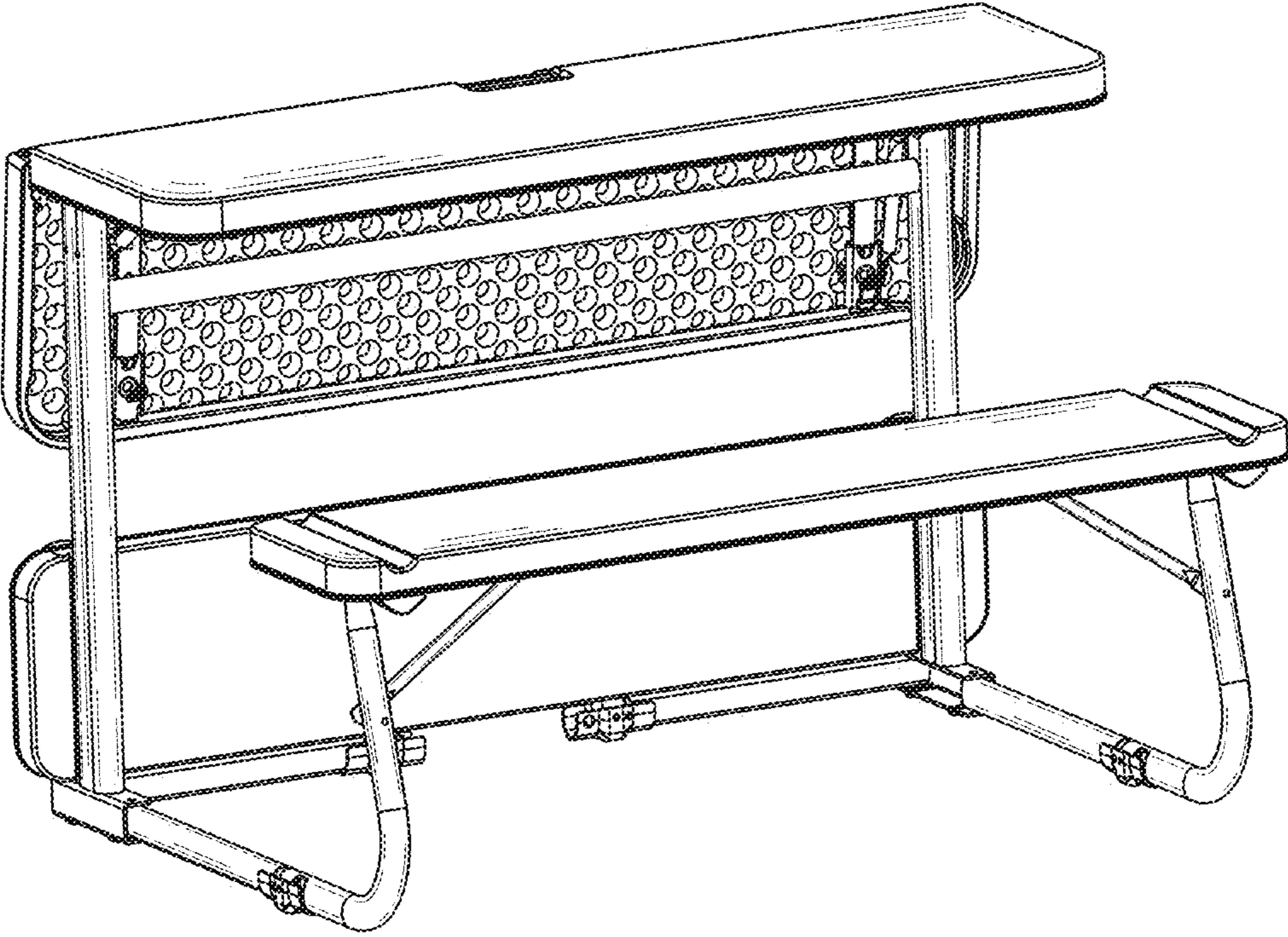


FIG. 8

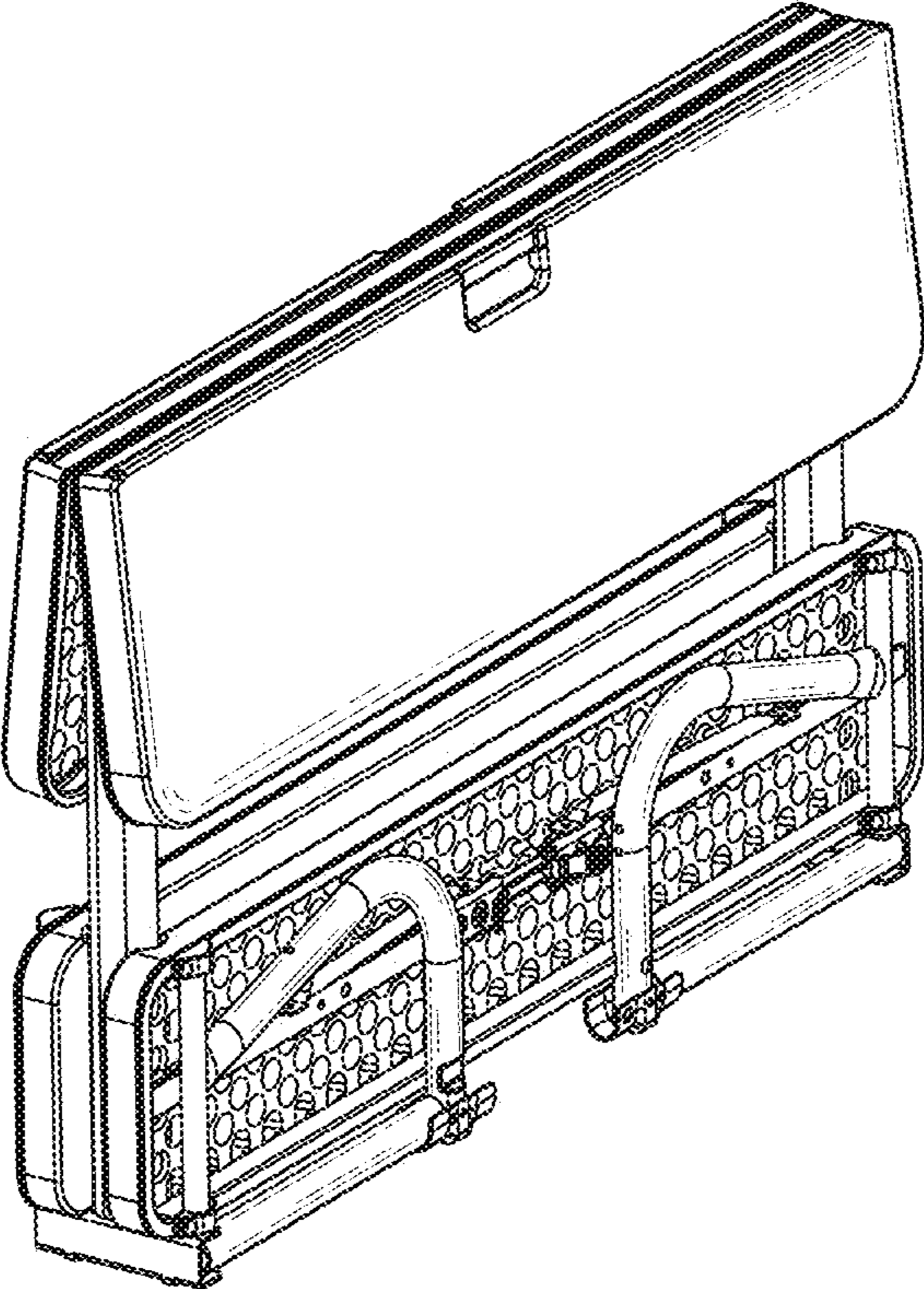


FIG. 9