



US00D920688S

(12) **United States Design Patent**
Kilburn

(10) **Patent No.:** **US D920,688 S**

(45) **Date of Patent:** **** Jun. 1, 2021**

- (54) **BENCH**
- (71) Applicant: **Krystal Marie Kilburn**, Provo, UT
(US)
- (72) Inventor: **Krystal Marie Kilburn**, Provo, UT
(US)
- (**) Term: **15 Years**
- (21) Appl. No.: **29/667,180**
- (22) Filed: **Oct. 19, 2018**
- (51) **LOC (13) Cl.** **06-01**
- (52) **U.S. Cl.**
USPC **D6/336**
- (58) **Field of Classification Search**
USPC D6/334-336, 374, 375, 381, 664, 667;
D8/331
CPC A47C 17/00; A47C 17/02; A47C 17/86;
A47C 13/00; A47C 13/005; A47C 7/628;
A47C 11/00; A47B 85/00
See application file for complete search history.

- D722,444 S * 2/2015 Lee D6/336
- D722,775 S 2/2015 Thuma et al.
- D724,328 S 3/2015 Thuma et al.
- D727,041 S 4/2015 Thuma et al.
- D728,250 S 5/2015 Thuma et al.
- D729,528 S 5/2015 Thuma et al.
- D790,319 S * 6/2017 Schneider D8/331
- 10,039,401 B1 * 8/2018 Romanucci A47C 7/628
- D869,199 S * 12/2019 Campbell D6/657
- 2019/0239650 A1 * 8/2019 Nelson E05D 3/12

* cited by examiner

Primary Examiner — Mary Ann Calabrese

Assistant Examiner — Katelin G Kloberg

(74) *Attorney, Agent, or Firm* — Amy Fiene PC

(57) **CLAIM**

The ornamental design for a bench, as shown.

DESCRIPTION

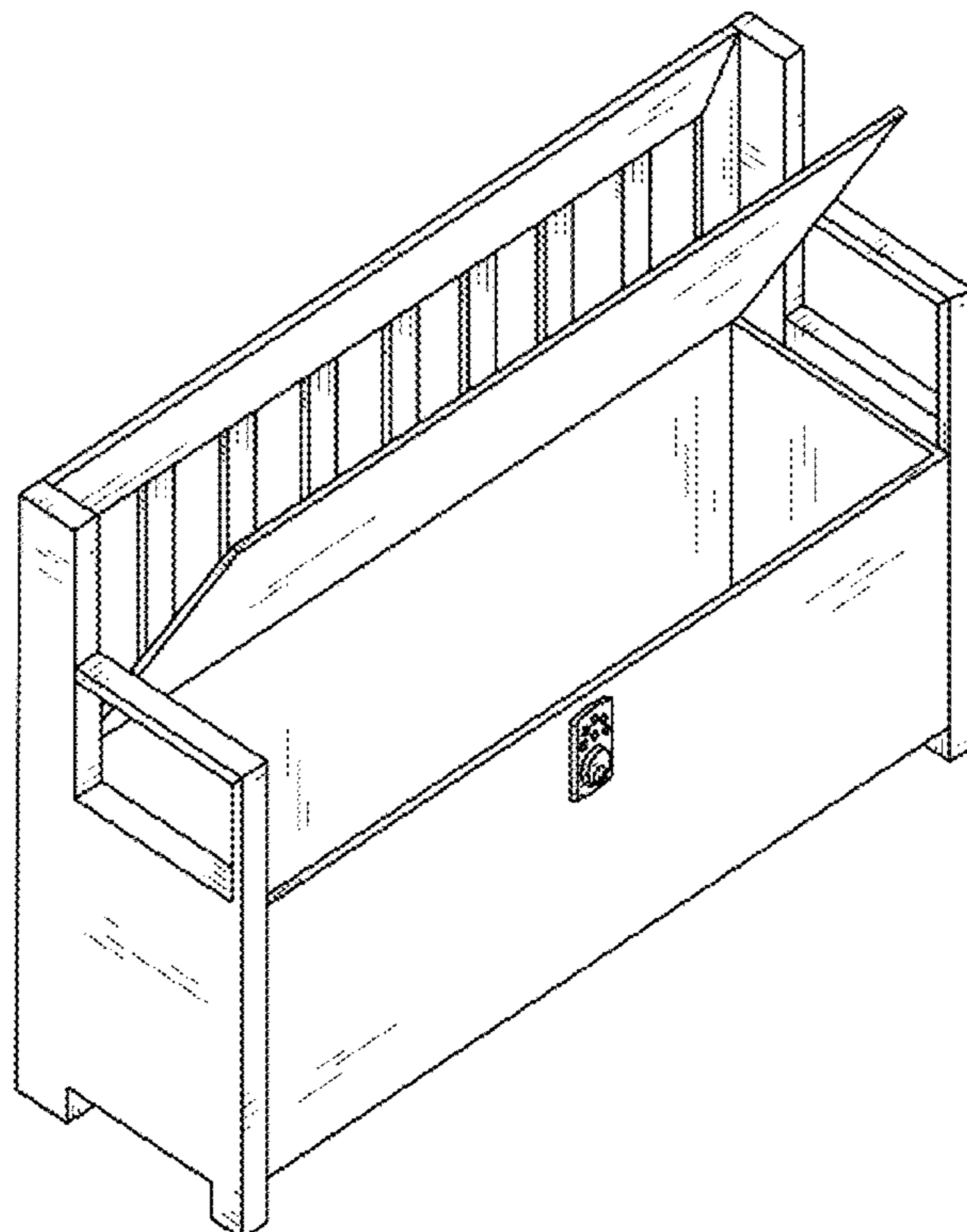
FIG. 1 is a perspective view showing my new design;
 FIG. 2 is an enlarged partial perspective view of the area identified in FIG. 1;
 FIG. 3 is a front view showing my new design;
 FIG. 4 is a back view showing my new design;
 FIG. 5 is a top view showing my new design; and
 FIG. 6 is a bottom view showing my new design.
 FIG. 7 is another perspective view thereof, but showing the bench seat lid in an opened position; and,
 FIG. 8 is a cross-section perspective view taken along line 8-8 in FIGS. 3 and 5.

1 Claim, 8 Drawing Sheets

(56) **References Cited**

U.S. PATENT DOCUMENTS

- 986,686 A * 3/1911 Carney A47B 85/04
297/123
- 2,682,915 A * 7/1954 Forti A47C 17/02
297/188.1
- D381,223 S * 7/1997 Brunner D6/664
- D427,788 S * 7/2000 Paul D6/336
- D509,075 S * 9/2005 Katz D6/336
- D597,336 S * 8/2009 Anderson D6/381



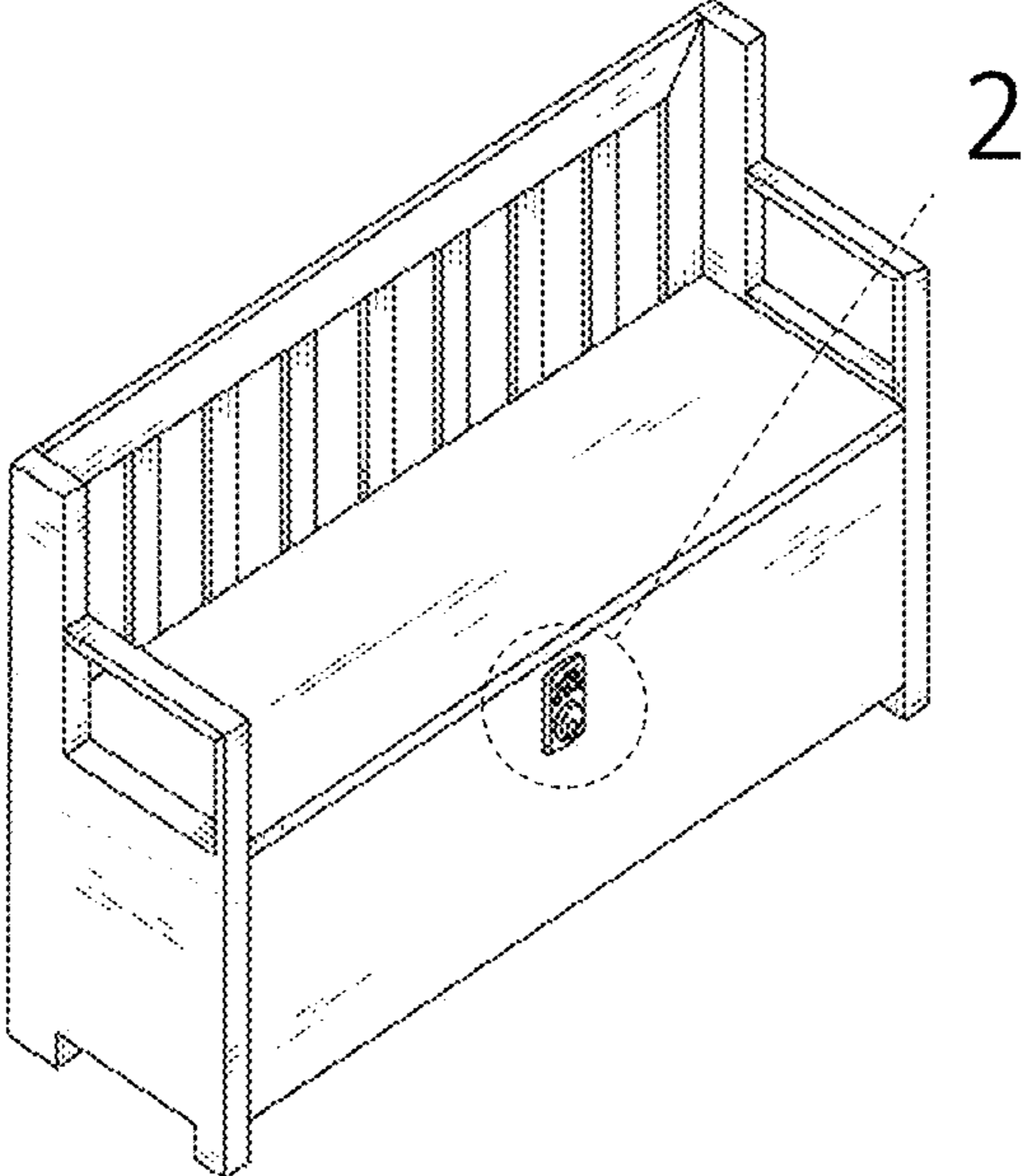


FIG. 1

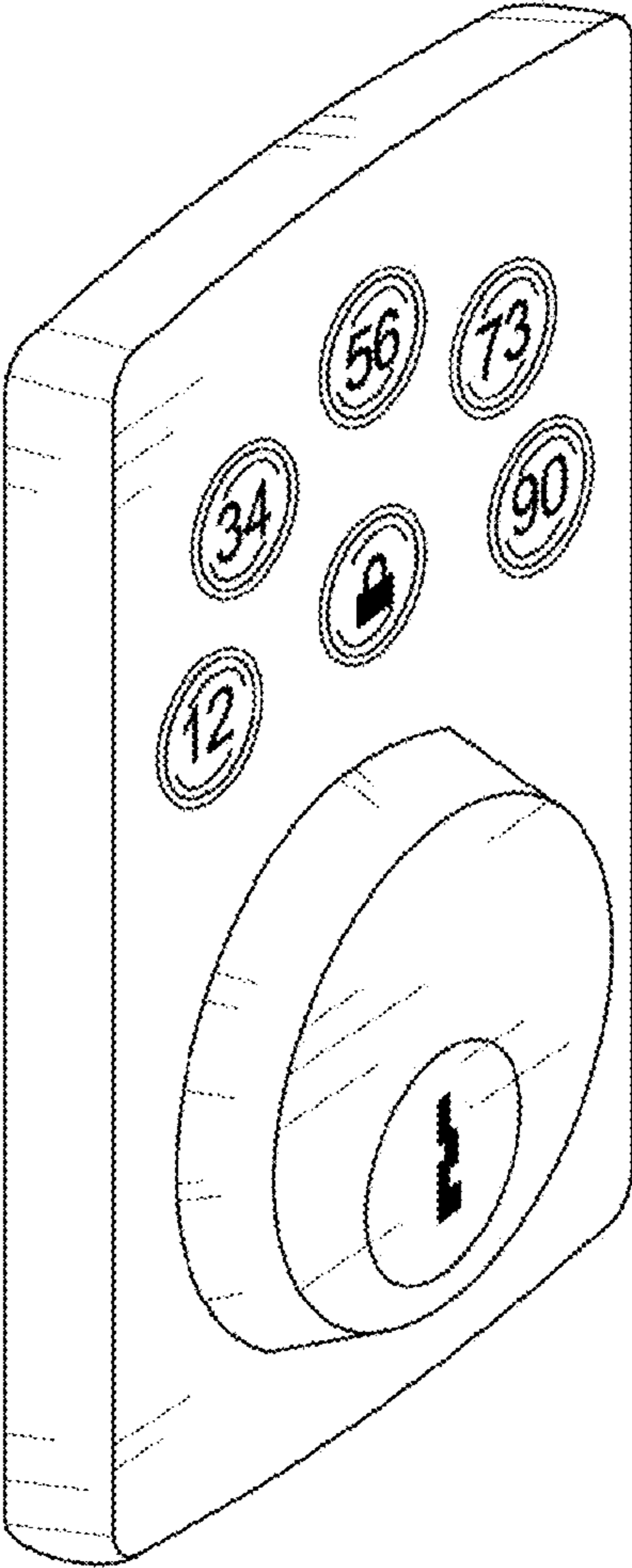


FIG. 2

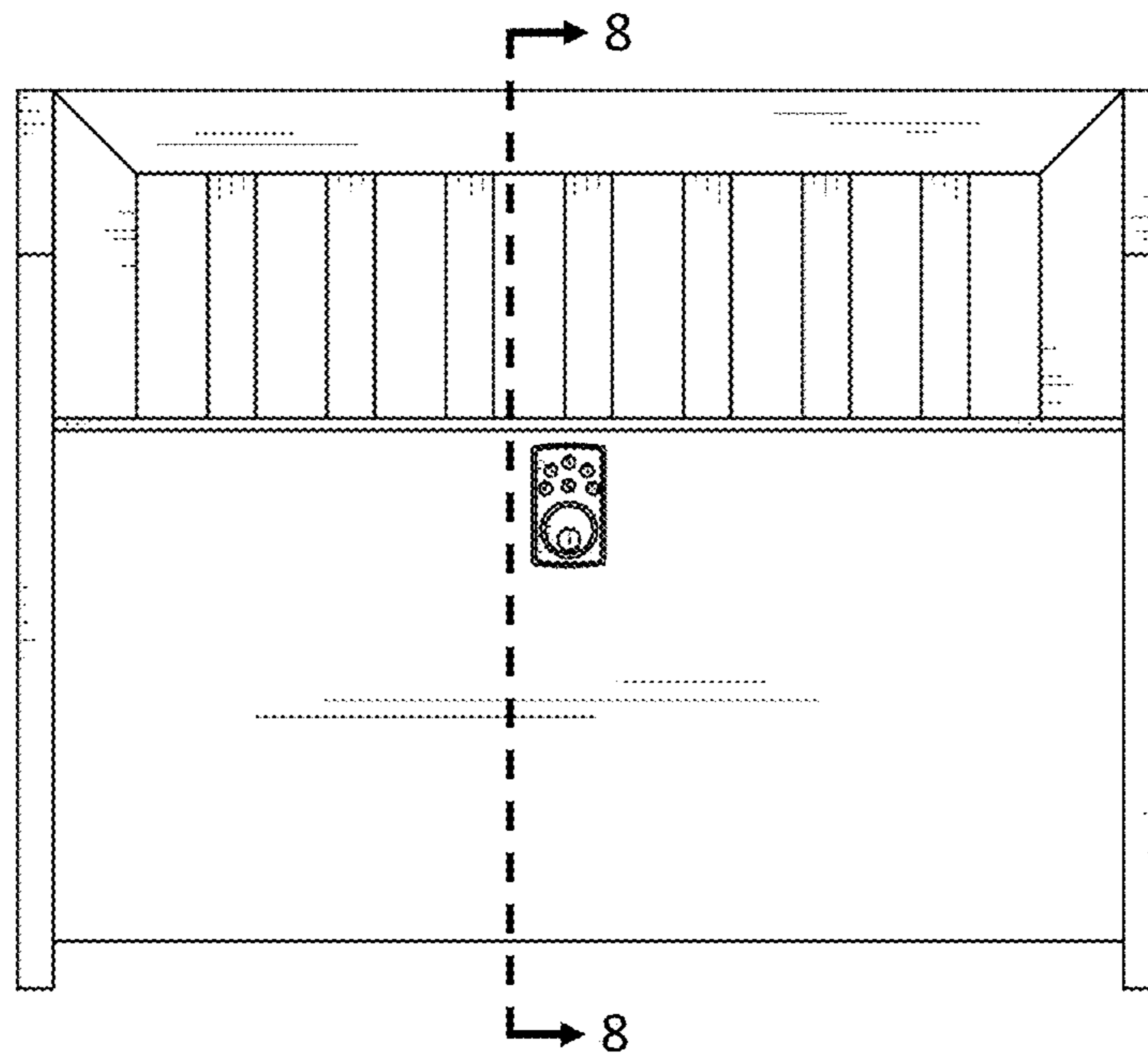


FIG. 3

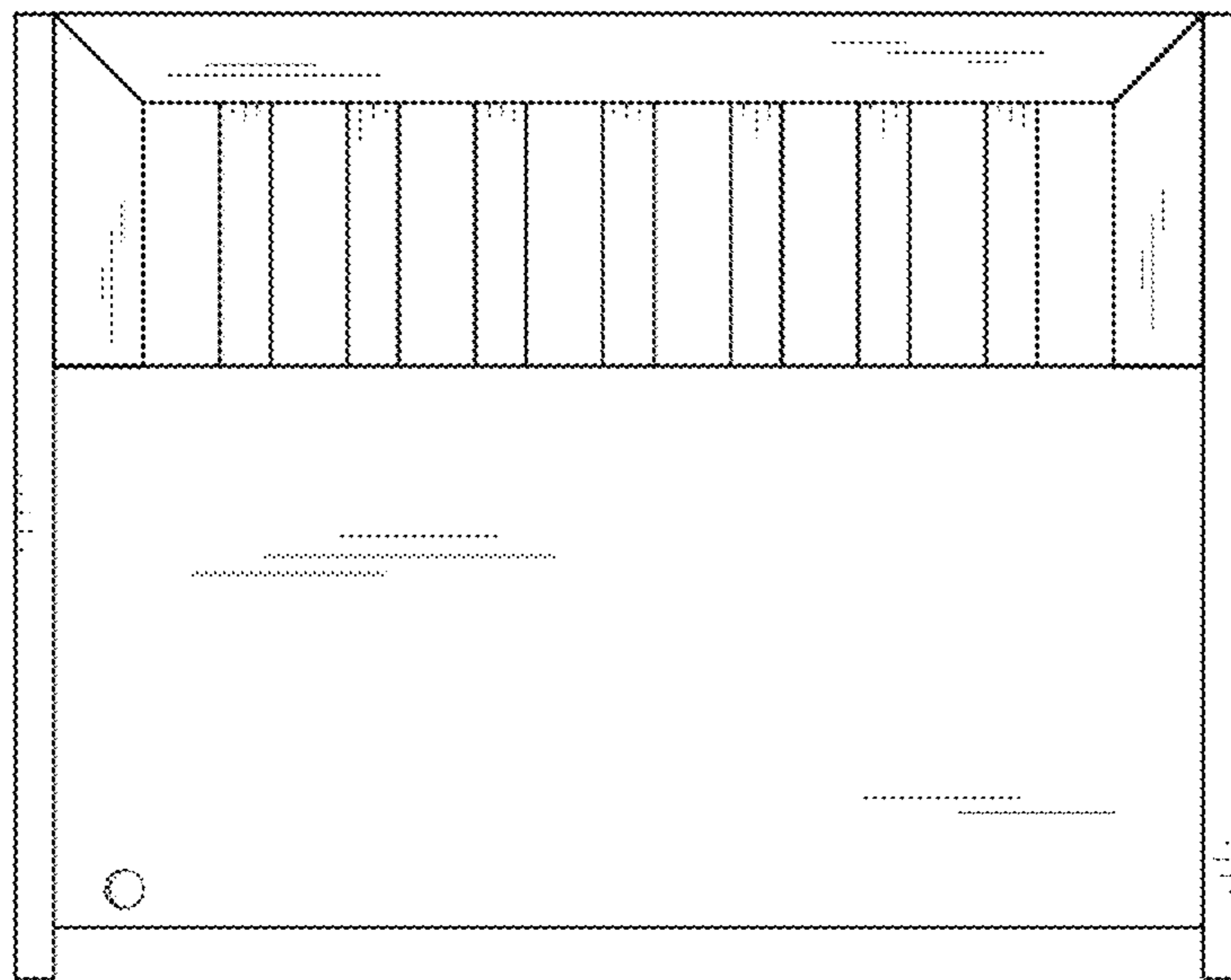


FIG. 4

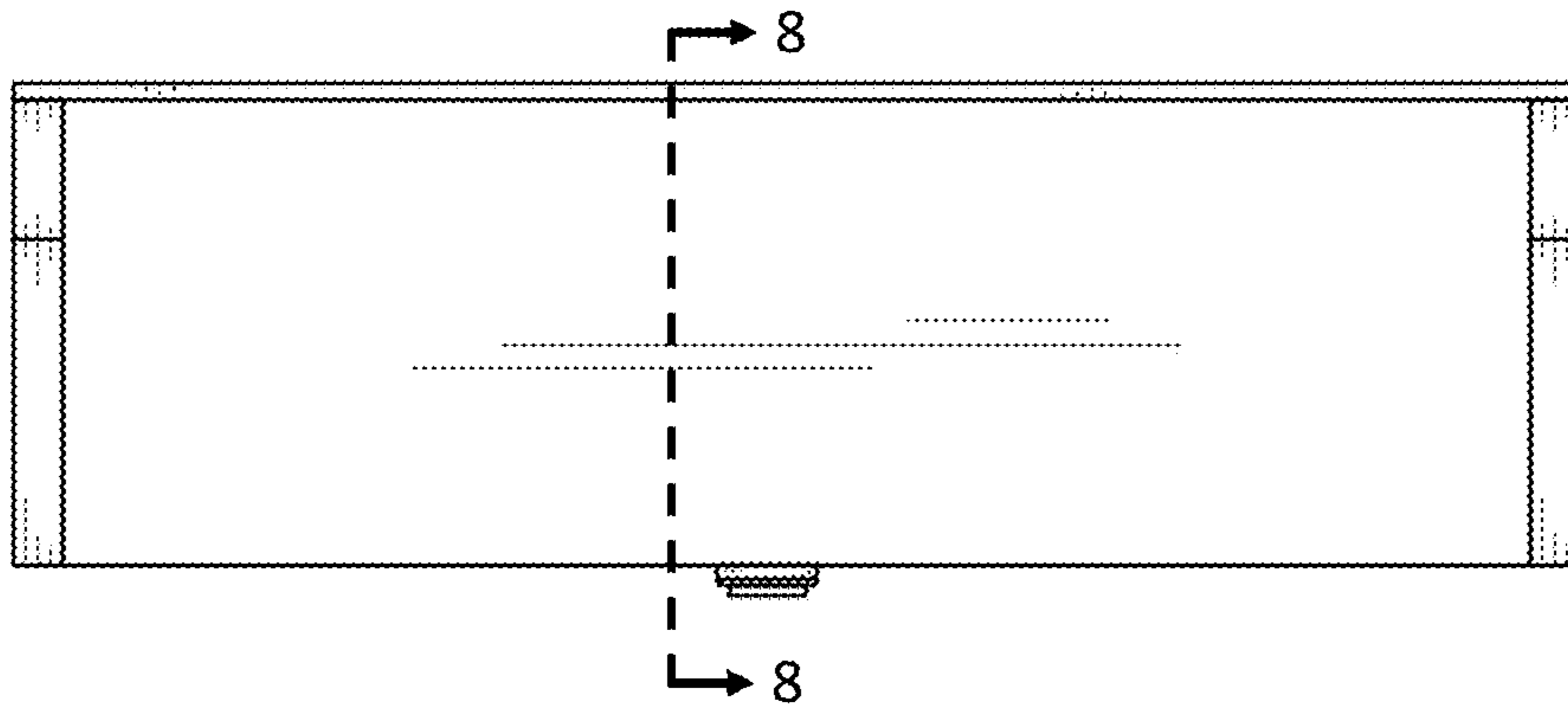


FIG. 5

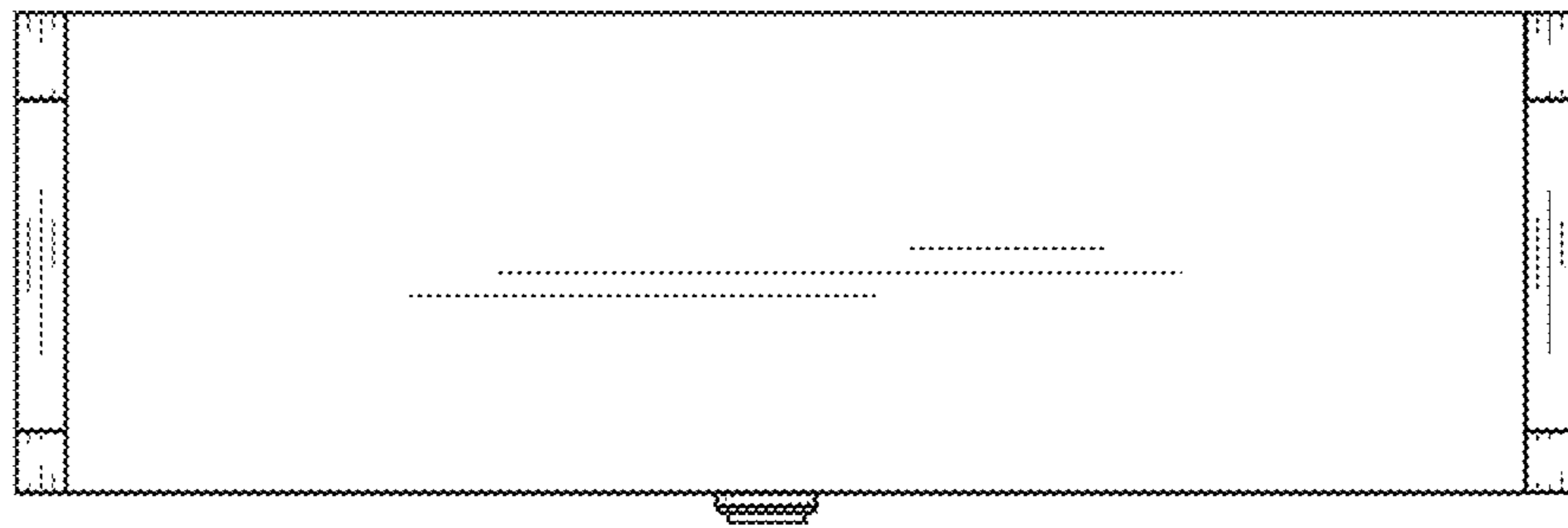


FIG. 6

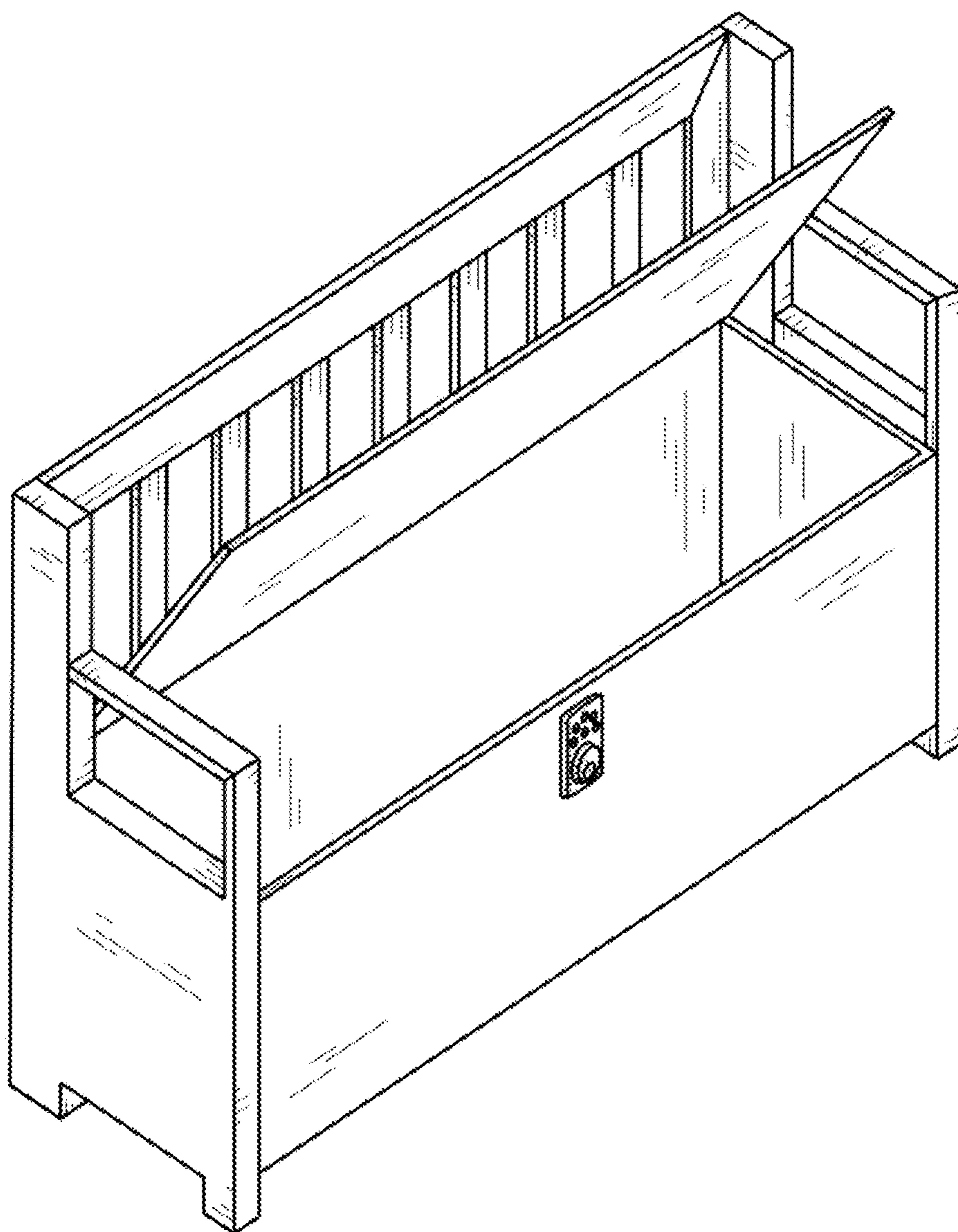


FIG. 7

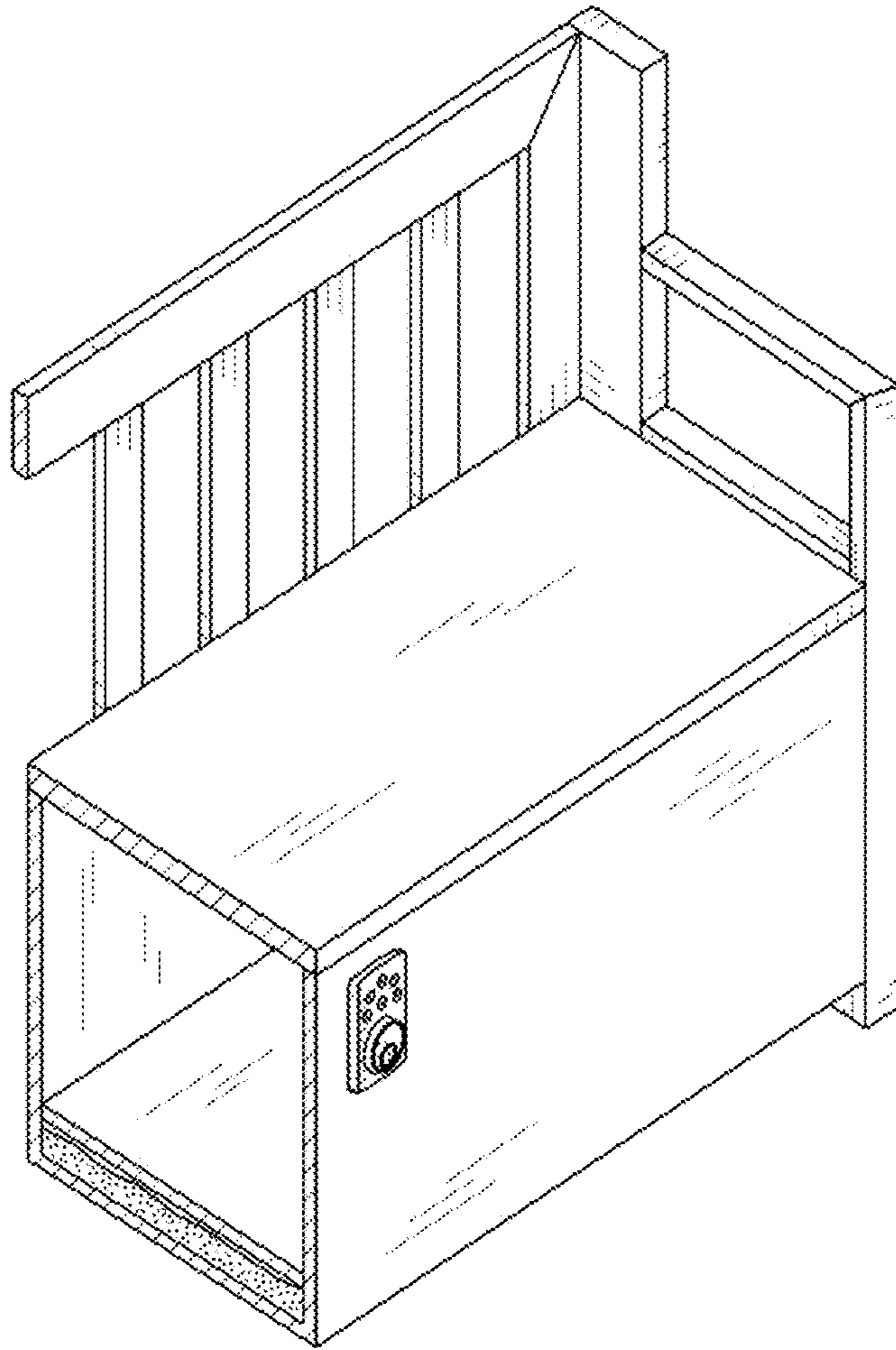


FIG. 8