



US00D920685S

(12) **United States Design Patent** (10) **Patent No.:** **US D920,685 S**
Lee (45) **Date of Patent:** **** Jun. 1, 2021**

(54) **DEVICE FOR CLOTHING CARE**
(71) Applicant: **IDEA CO., LTD.**, Gwangju (KR)
(72) Inventor: **Dae Hwa Lee**, Jeollanam-do (KR)
(73) Assignee: **IDEA CO., LTD.**, Gwangju (KR)
(**) Term: **15 Years**

D166,658 S * 5/1952 Cohen D6/681.1
D170,497 S * 9/1953 Ehrman D6/681.1
D195,184 S * 5/1963 Gelles D6/681.1
D196,347 S * 9/1963 Gelles D6/681.1
D199,357 S * 10/1964 Zierhut D6/681.1
D199,570 S * 11/1964 Van Dusen D6/681.1
D272,503 S * 2/1984 Delucchi D6/319
4,592,496 A * 6/1986 Nishi A41H 5/01
223/68
4,792,071 A * 12/1988 Scarpa A47F 8/02
223/120
D300,289 S * 3/1989 Walter D6/681.2
D642,387 S * 8/2011 Jeon, II D6/315

(21) Appl. No.: **29/718,480**
(22) Filed: **Dec. 24, 2019**

* cited by examiner

(30) **Foreign Application Priority Data**
Jun. 26, 2019 (KR) 30-2019-0030402

Primary Examiner — Lauren R Calve
(74) *Attorney, Agent, or Firm* — Hodgson Russ LLP

(51) **LOC (13) Cl.** **06-08**
(52) **U.S. Cl.**
USPC **D6/315**; D6/681.1
(58) **Field of Classification Search**
USPC D6/315, 316, 672, 674.1, 681, 681.1,
D6/675, 675.1, 675.3; D20/31-33;
D19/8
CPC A47G 25/90; A47G 25/20; A47G 25/06;
A47G 25/443; A47G 25/0664; A47F
8/00; A47F 8/02; A47F 7/19; A47F 5/04;
A47F 7/24
See application file for complete search history.

(57) **CLAIM**

The ornamental design for a device for clothing care, as shown and described.

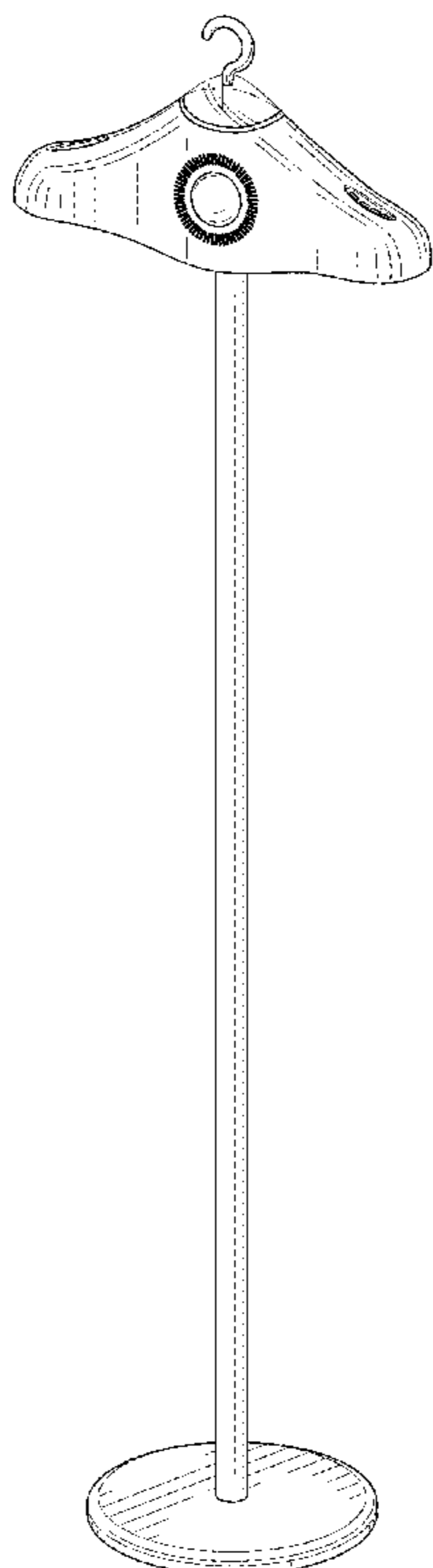
(56) **References Cited**
U.S. PATENT DOCUMENTS

DESCRIPTION

FIG. 1 is a perspective view of a device for clothing care showing my new design;
FIG. 2 is a front elevation view thereof;
FIG. 3 is a rear elevation view thereof;
FIG. 4 is a left side elevational view thereof;
FIG. 5 is a right side elevational view thereof;
FIG. 6 is a top view thereof; and,
FIG. 7 is a bottom view thereof.
The broken lines shown represent portions of the device for clothing care that form no part of the claimed design.

D78,823 S * 6/1929 Konikoff et al. D6/681
D166,615 S * 4/1952 Loughlin D6/681.1

1 Claim, 5 Drawing Sheets



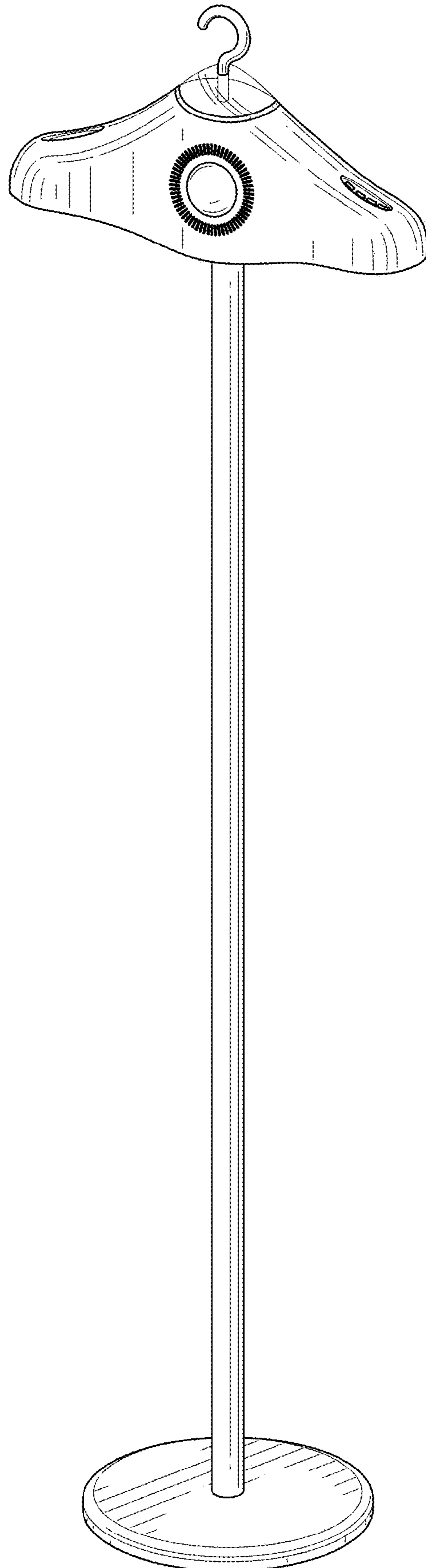


FIG. 1

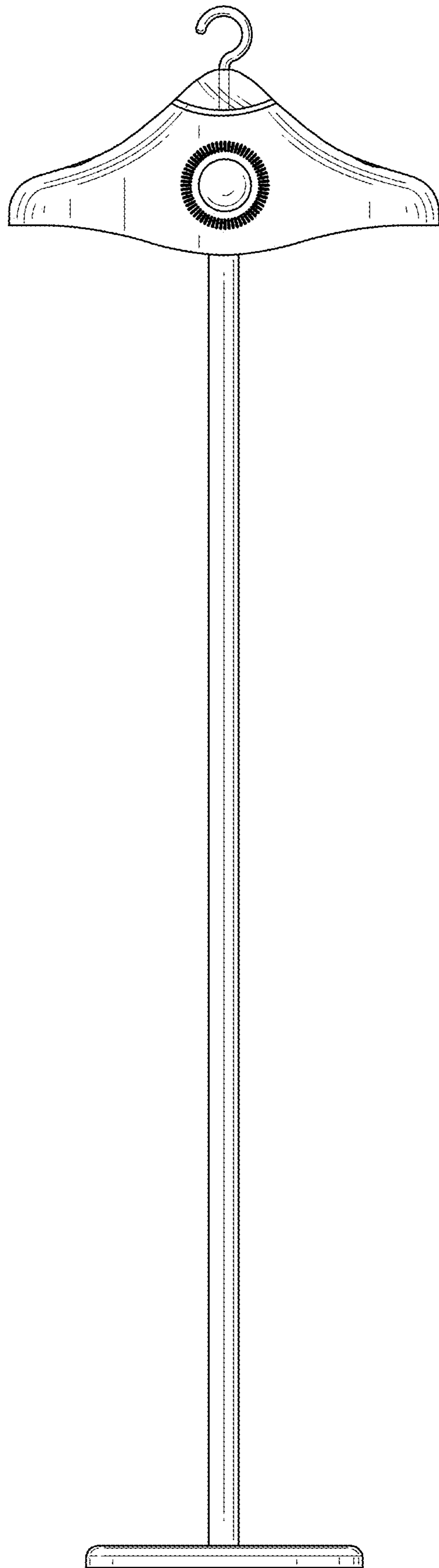


FIG. 2

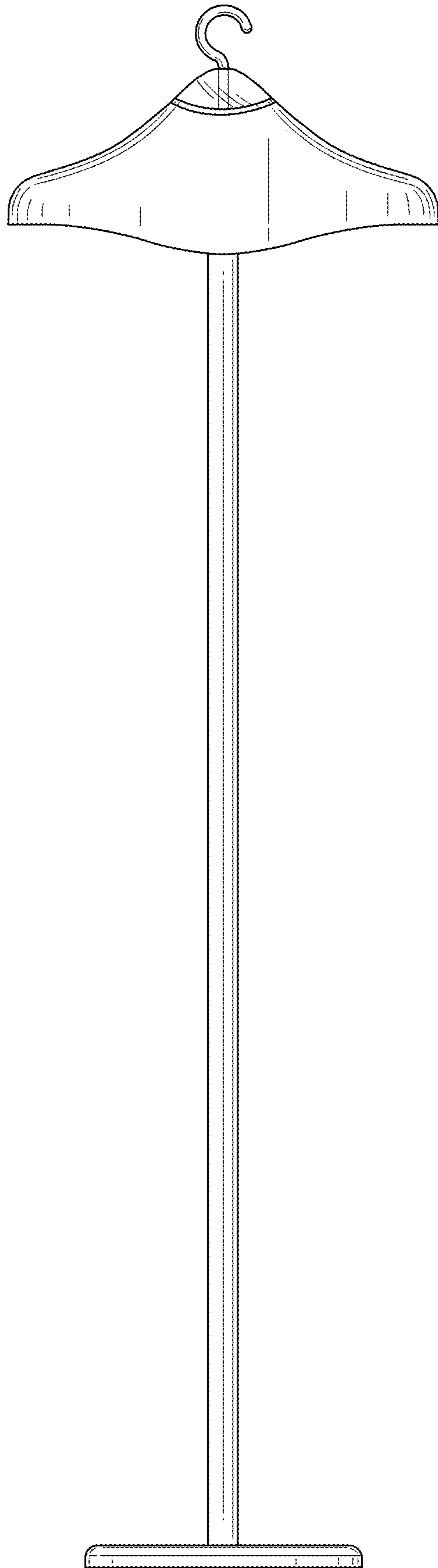


FIG. 3

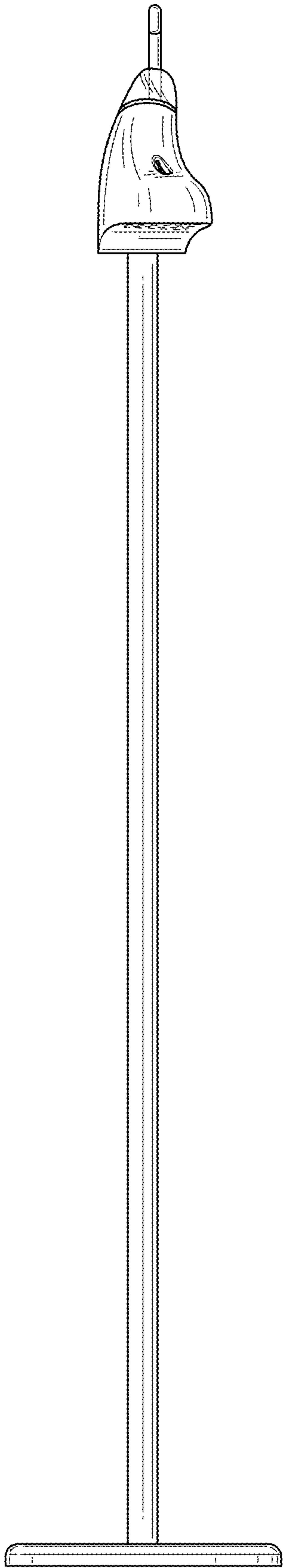


FIG. 4

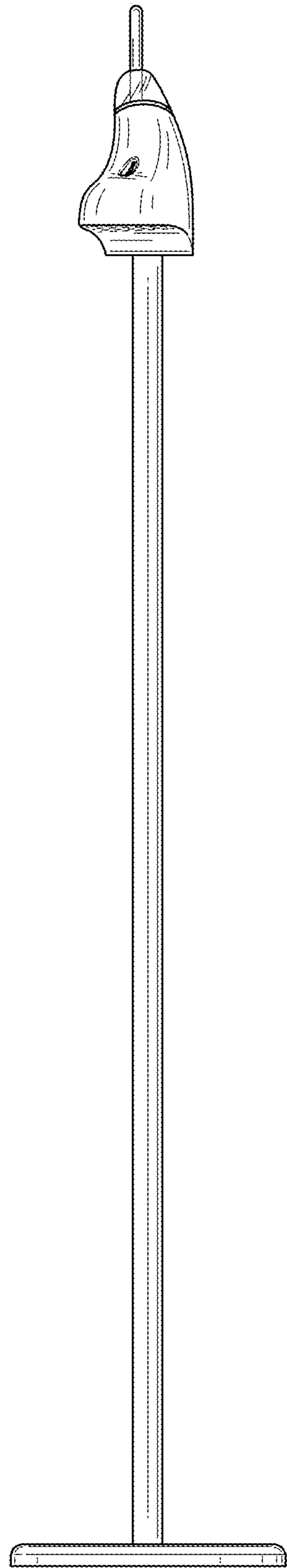


FIG. 5

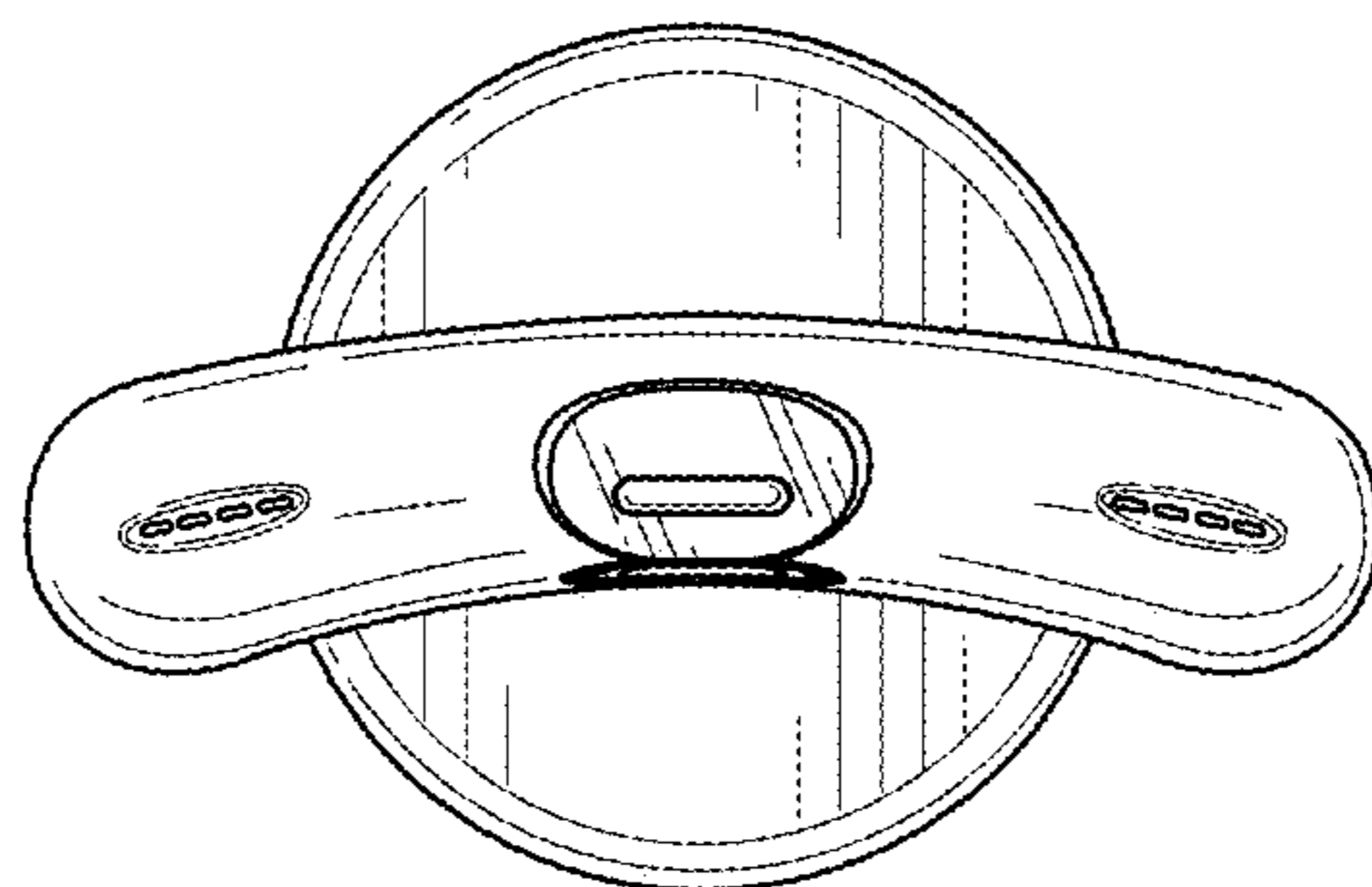


FIG. 6

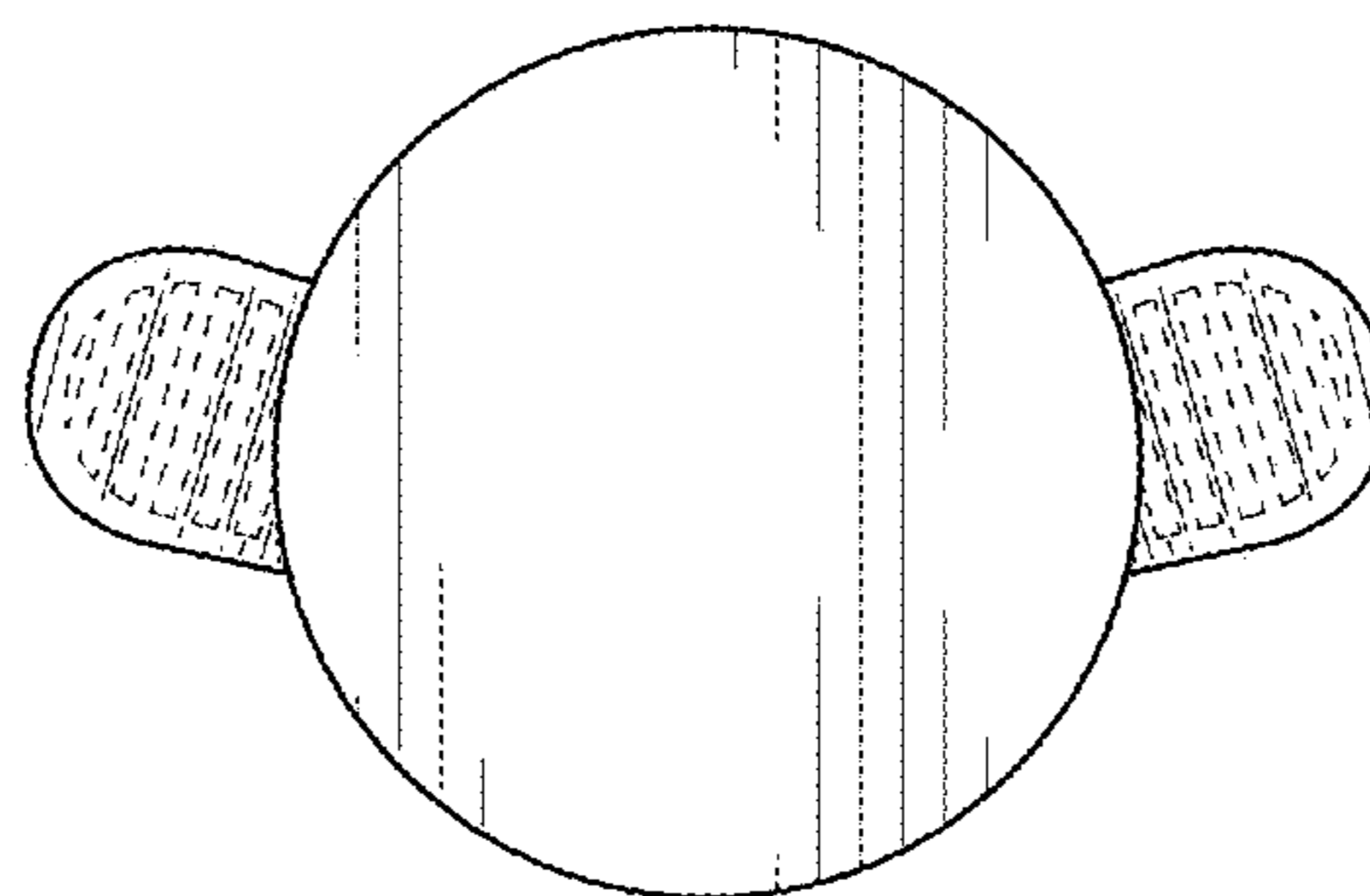


FIG. 7