



US00D920682S

(12) **United States Design Patent** (10) **Patent No.:** **US D920,682 S**  
**Pawluskiewicz** (45) **Date of Patent:** **\*\* \*Jun. 1, 2021**

- (54) **BRUSH**
- (71) Applicant: **Spectrum Diversified Designs, LLC**,  
Streetsboro, OH (US)
- (72) Inventor: **Jan Pawluskiewicz**, Seattle, WA (US)
- (73) Assignee: **SPECTRUM DIVERSIFIED  
DESIGNS, LLC**, Streetsboro, OH (US)
- (\*) Notice: This patent is subject to a terminal disclaimer.
- (\*\*) Term: **15 Years**
- (21) Appl. No.: **29/704,452**
- (22) Filed: **Sep. 5, 2019**
- (51) **LOC (13) Cl.** ..... **04-01**
- (52) **U.S. Cl.**  
USPC ..... **D4/138**
- (58) **Field of Classification Search**  
USPC ..... D4/114, 115, 116, 118, 119, 120, 121,  
D4/127, 128, 129, 130, 131, 132, 133,  
D4/134, 135, 136, 137, 138, 199; D28/7,  
D28/63; D32/35, 40, 49, 52; D7/393,  
D7/395; D8/DIG. 7  
CPC ..... A46B 5/02; A46B 2200/3033  
See application file for complete search history.

(56) **References Cited**

**U.S. PATENT DOCUMENTS**

- 1,631,133 A \* 6/1927 Jones ..... A61H 13/00  
15/244.1
- D181,055 S \* 9/1957 Hutcheson ..... D4/128
- D231,284 S \* 4/1974 Lindbo ..... D4/133
- D241,091 S \* 8/1976 Ahlstrom et al. .... D4/133
- D364,506 S \* 11/1995 Cousins ..... D4/118
- D425,308 S \* 5/2000 Ancona ..... D4/121
- D438,354 S \* 2/2001 Cann ..... D32/35
- D448,176 S \* 9/2001 Petner ..... D4/119
- D452,080 S \* 12/2001 Petner ..... D4/114
- D460,270 S \* 7/2002 Mannisto, Jr. .... D4/106
- D495,884 S \* 9/2004 Berti ..... D4/138
- D500,600 S \* 1/2005 Hay ..... D4/138

- D501,087 S \* 1/2005 Berti ..... D4/138
- D575,530 S \* 8/2008 Libman ..... D4/132
- D577,202 S \* 9/2008 Meyer ..... D4/119
- 7,854,034 B2 \* 12/2010 Welsh ..... A46B 17/02  
15/143.1

**FOREIGN PATENT DOCUMENTS**

- JP D1071566 \* 5/2000

**OTHER PUBLICATIONS**

OXO Dish Brush, Sur la table website, [https://www.surlatable.com/product/PRO-636464/?mrkgcl=890&mrkgadid=3250782072&affsrcid=AFF0005&utm\\_source=Google&utm\\_medium=cpc&utm\\_campaign=803390144&utm\\_term=297068456345\\_product\\_type\\_home\\_product\\_type&product\\_id=636464&adpos=6o12&creative=190776978648&device=c&matchtype=&network=g&lsft=mrkgcl:890,mrkgadid:3250782072,product\\_id:636464,adpos:6o12,creative:190776978648,device:c,matchtype:,network:g&gclid=Cj0KCQjw4s7qBRCzARIsAlmcAxYFhuhu0N2RhrIDGF73mDuhS8FNAd8QgAPd-gUS4R8qZ681iEcpcgaAu7xEALw\\_wcB](https://www.surlatable.com/product/PRO-636464/?mrkgcl=890&mrkgadid=3250782072&affsrcid=AFF0005&utm_source=Google&utm_medium=cpc&utm_campaign=803390144&utm_term=297068456345_product_type_home_product_type&product_id=636464&adpos=6o12&creative=190776978648&device=c&matchtype=&network=g&lsft=mrkgcl:890,mrkgadid:3250782072,product_id:636464,adpos:6o12,creative:190776978648,device:c,matchtype:,network:g&gclid=Cj0KCQjw4s7qBRCzARIsAlmcAxYFhuhu0N2RhrIDGF73mDuhS8FNAd8QgAPd-gUS4R8qZ681iEcpcgaAu7xEALw_wcB), dated Aug. 15, 2019, 1 page.

OXO Dish Brush, Sur la table website, <https://www.surlatable.com/oxo-dish-brush/PRO-636464.html>, dated Aug. 15, 2019, 1 page.

\* cited by examiner

*Primary Examiner* — Karen E Eldridge Powers  
(74) *Attorney, Agent, or Firm* — Tucker Ellis LLP

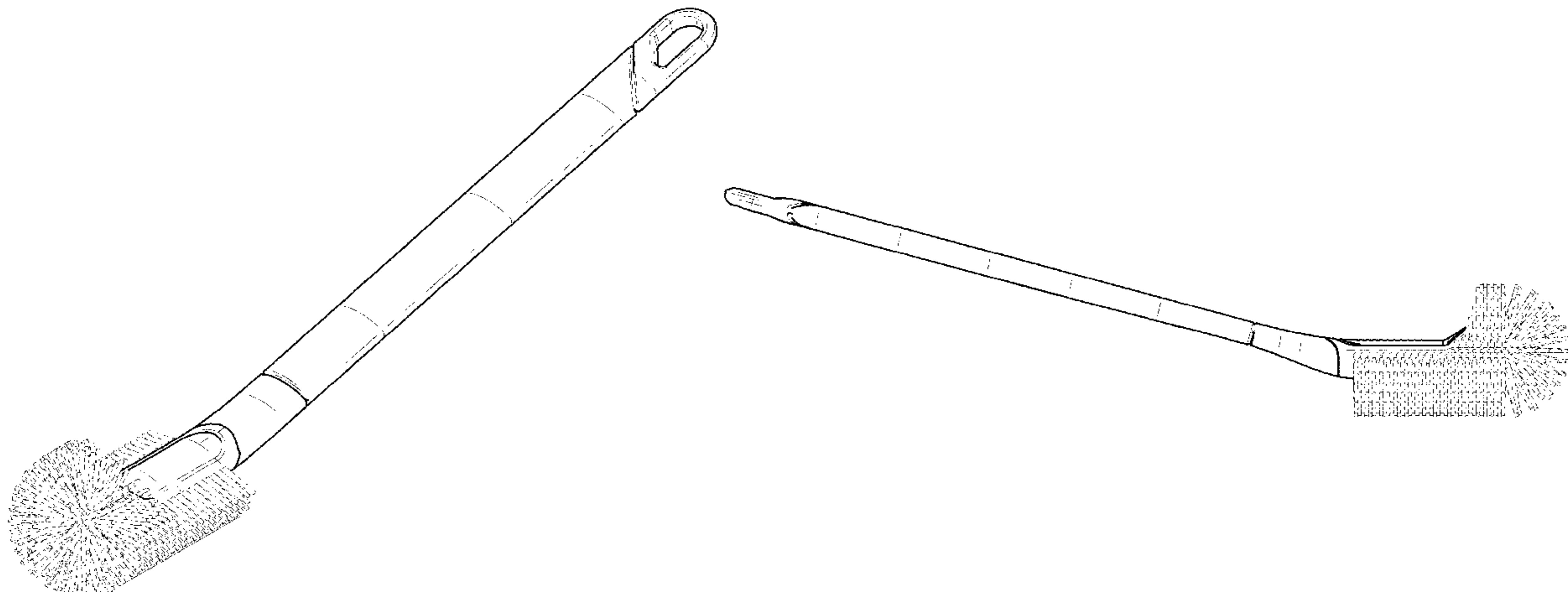
(57) **CLAIM**

The ornamental design for a brush, as shown and described.

**DESCRIPTION**

FIG. 1 is a perspective view of a brush showing my new design.  
FIG. 2 is a front elevation view thereof.  
FIG. 3 is a rear elevation view thereof.  
FIG. 4 is a right side elevation view thereof.  
FIG. 5 is a left side elevation view thereof.  
FIG. 6 is a top plan view thereof; and,  
FIG. 7 is a bottom plan view thereof.

(Continued)



The broken lines show portions of the design that form no part of the claimed design.

**1 Claim, 4 Drawing Sheets**

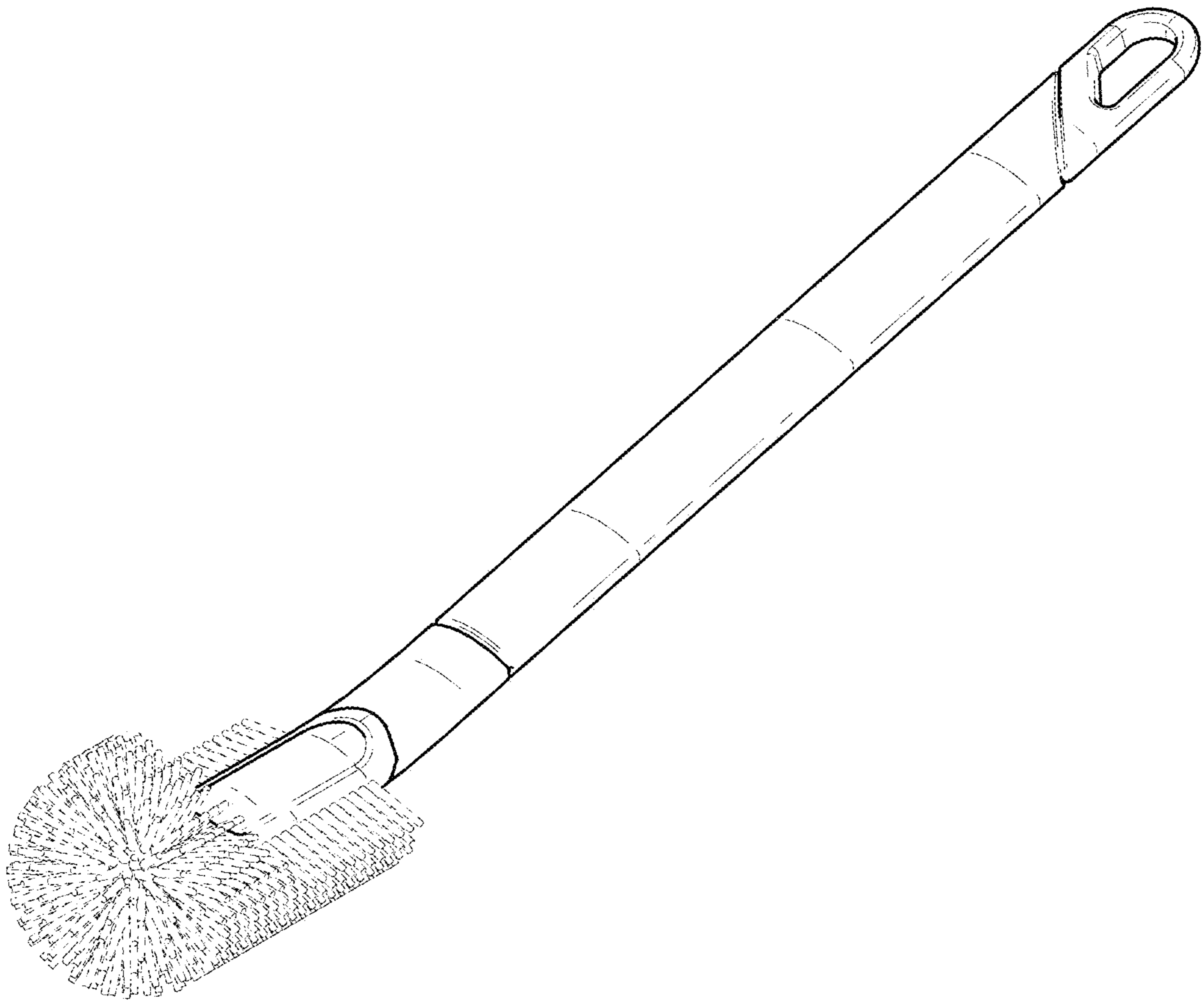


FIG. 1

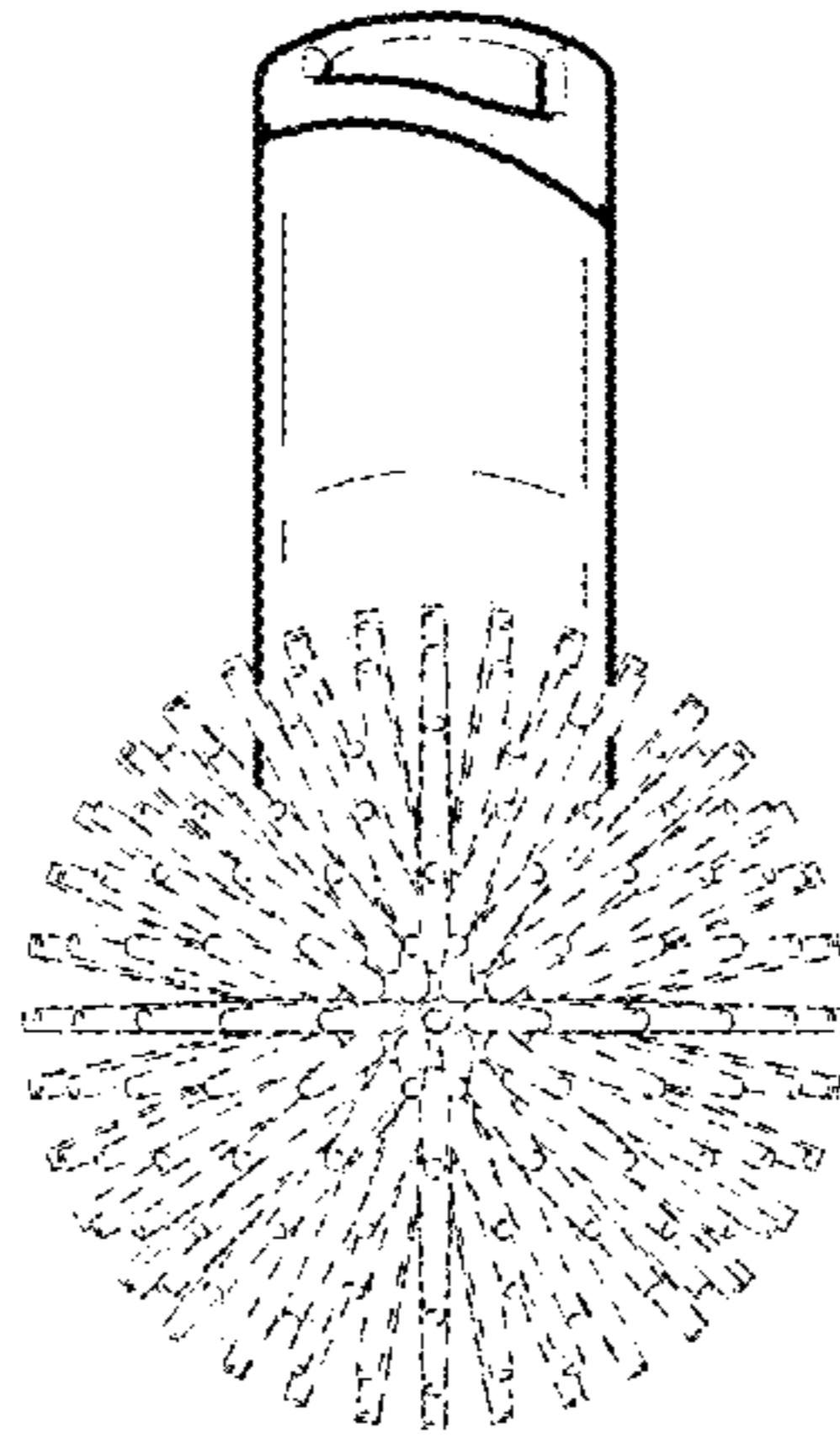


FIG. 2

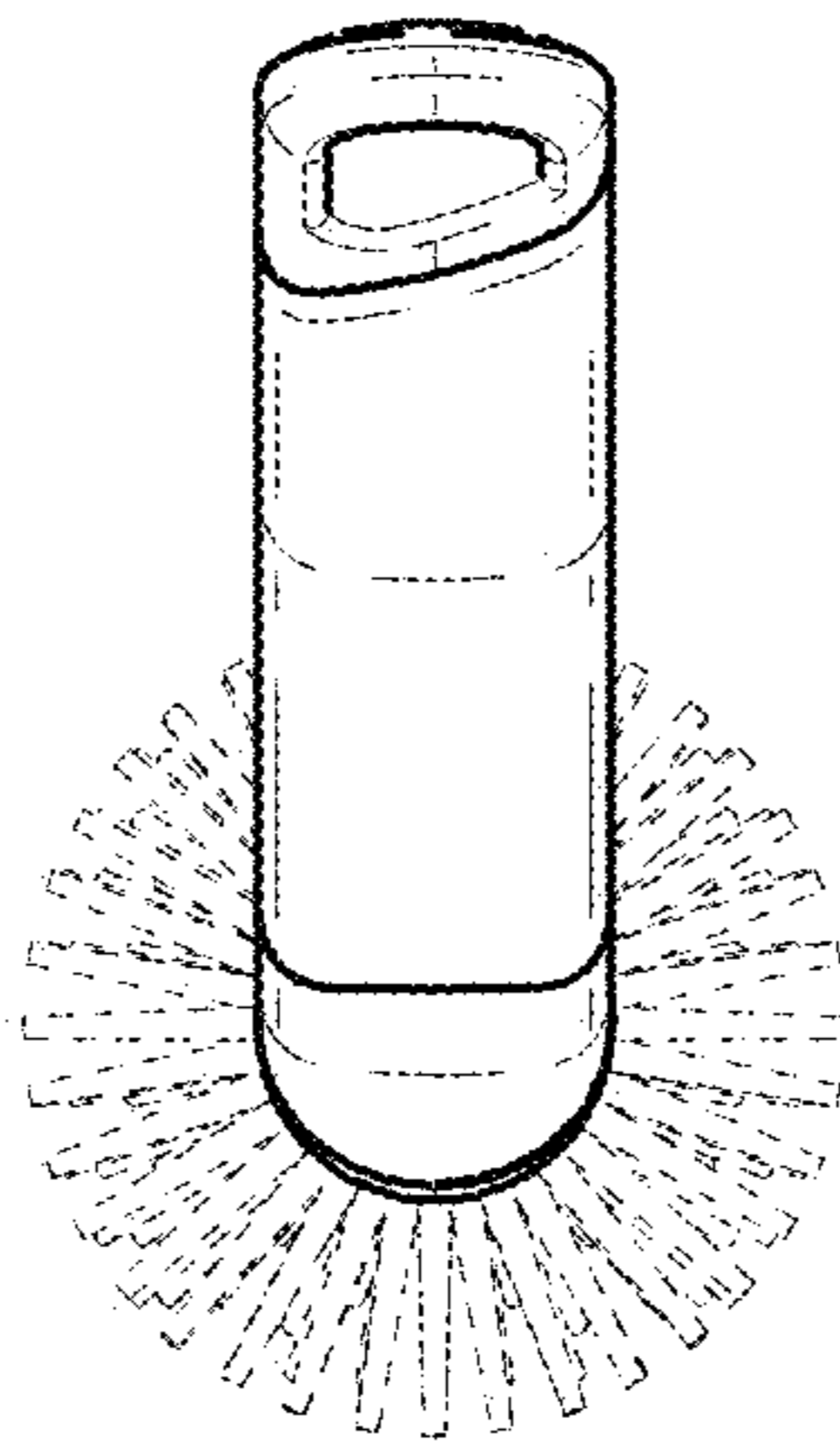


FIG. 3

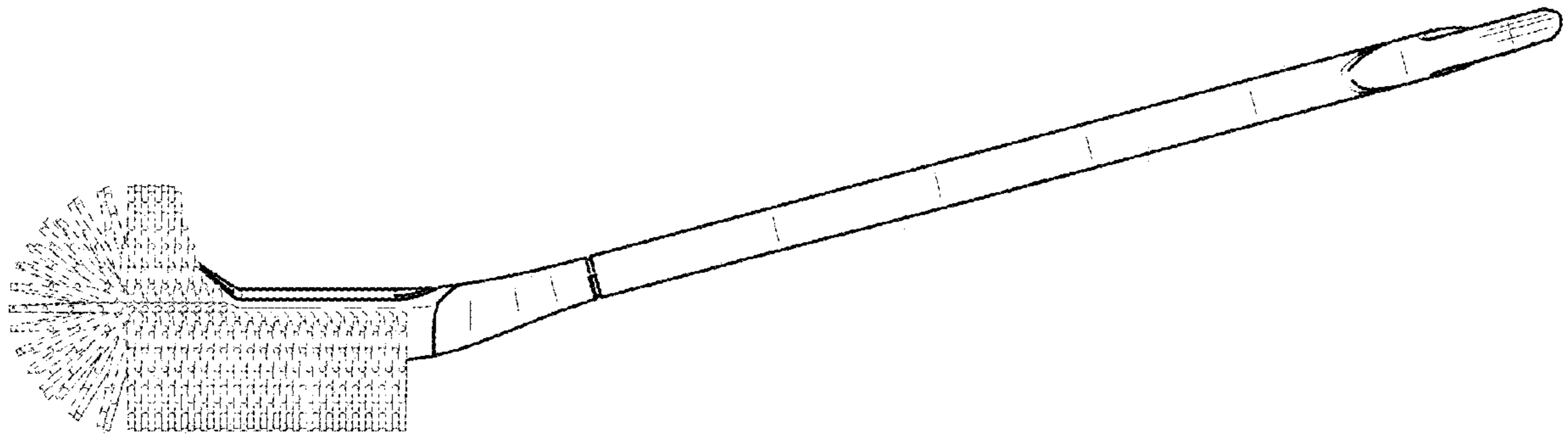


FIG. 4

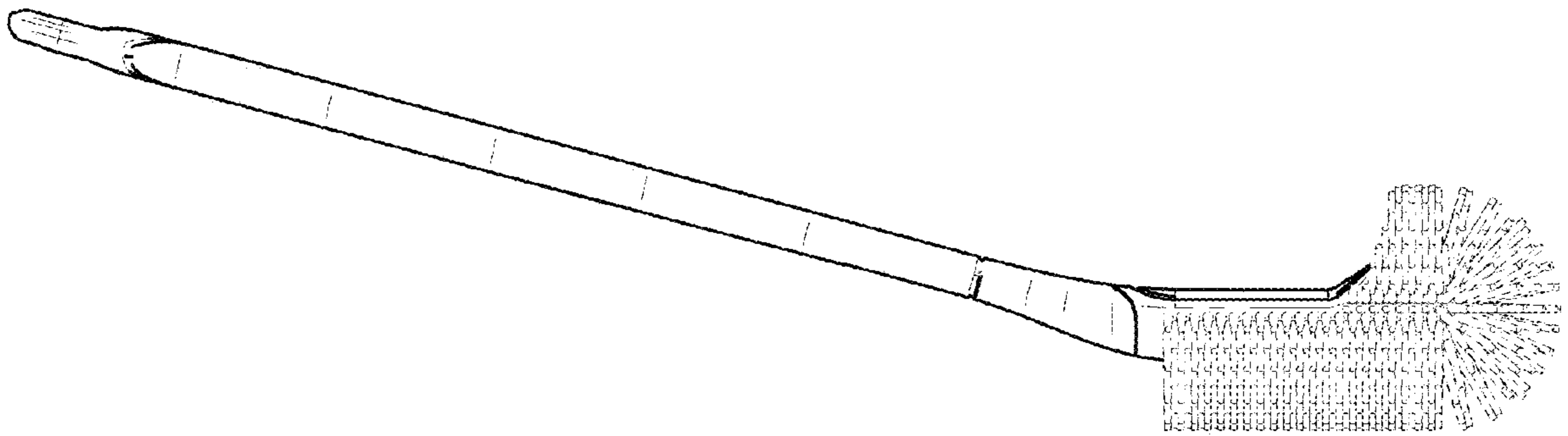


FIG. 5



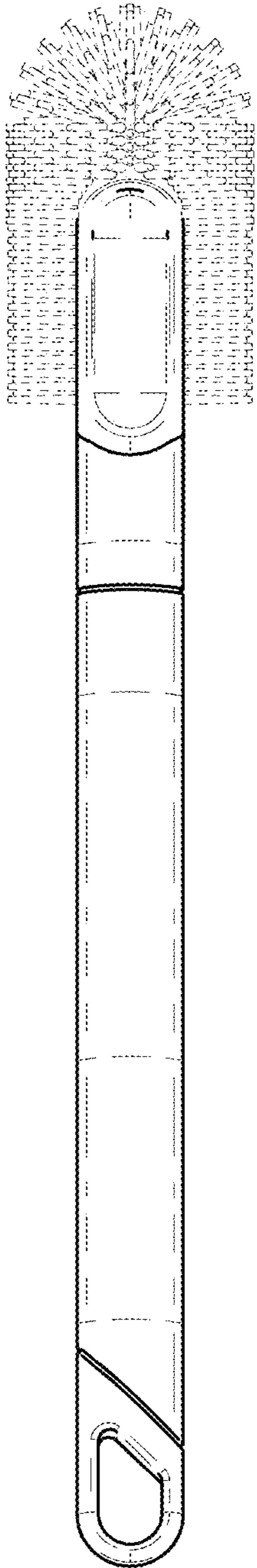


FIG. 6

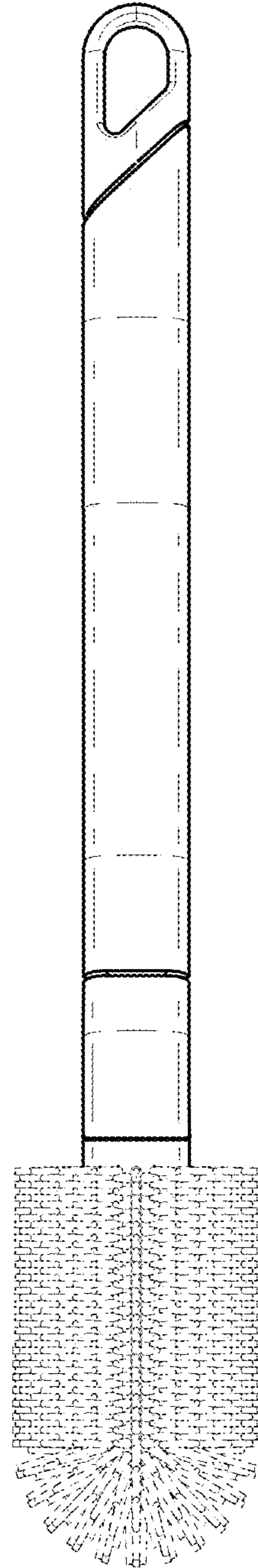


FIG. 7