



US00D920680S

(12) **United States Design Patent**
Wang

(10) **Patent No.:** **US D920,680 S**

(45) **Date of Patent:** **** Jun. 1, 2021**

(54) **ELECTRIC CLEANSING INSTRUMENT WITH A SET OF HEADS**

(71) Applicant: **YueE Wang**, Guangdong (CN)

(72) Inventor: **YueE Wang**, Guangdong (CN)

(**) Term: **15 Years**

(21) Appl. No.: **29/692,534**

(22) Filed: **May 27, 2019**

(51) **LOC (13) Cl.** **28-03**

(52) **U.S. Cl.**
USPC **D4/102; D24/214**

(58) **Field of Classification Search**
USPC D4/100, 102, 121, 127, 128, 129, 130, D4/132, 133, 134, 135, 136, 137, 138, D4/199; D28/13, 24, 28, 25; D24/209, D24/214, 215

CPC .. A46B 5/02; A46B 9/005; A46B 9/02; A46B 9/023; A46B 9/06; A46B 15/0022; A46B 15/0024; A46B 15/003; A46B 5/0059; A46B 15/0075; A46B 2200/1093; A46B 2200/104; A45D 2/001; A45D 2/002; A45D 7/02; A45D 20/48

See application file for complete search history.

(56) **References Cited**

U.S. PATENT DOCUMENTS

D290,551 S *	6/1987	Huen	D4/102
5,187,827 A *	2/1993	Wei	A46B 13/06
				15/22.1
D360,982 S *	8/1995	Coffman	D28/63
D550,914 S *	9/2007	Khubani	D32/45
D601,803 S *	10/2009	Reishus	D4/102
D683,139 S *	5/2013	Chikos	D4/102
D715,554 S *	10/2014	Hosler	D4/102
D715,555 S *	10/2014	Hosler	D4/102
D742,647 S *	11/2015	Hosler	D4/102
D753,400 S *	4/2016	Khoun	D4/102

D764,173 S *	8/2016	Nichols	D4/102
D767,897 S *	10/2016	Hosler	D4/102
D805,305 S *	12/2017	Wang	D4/100
D805,781 S *	12/2017	Szymanski	D4/102
D839,601 S *	2/2019	Fang	D4/102
D883,675 S *	5/2020	Wong	D4/102
D884,356 S *	5/2020	Jung	D4/102
10,736,413 B2 *	8/2020	Brewer	A46B 13/023
D894,611 S *	9/2020	Wong	D4/102

(Continued)

FOREIGN PATENT DOCUMENTS

CN	305562832	*	1/2020
EM	001320816-0001	*	6/2012

Primary Examiner — Karen E Eldridge Powers

(57) **CLAIM**

The ornamental design for an electric cleansing instrument with a set of heads, as shown and described.

DESCRIPTION

FIG. 1 is a front, top and right side perspective view of an electric cleansing instrument with a set of heads showing my new design;

FIG. 2 is a rear, bottom and left side perspective view thereof;

FIG. 3 is a front elevation view thereof;

FIG. 4 is a rear elevation view thereof;

FIG. 5 is a left side elevation view thereof;

FIG. 6 is a right side elevation view thereof;

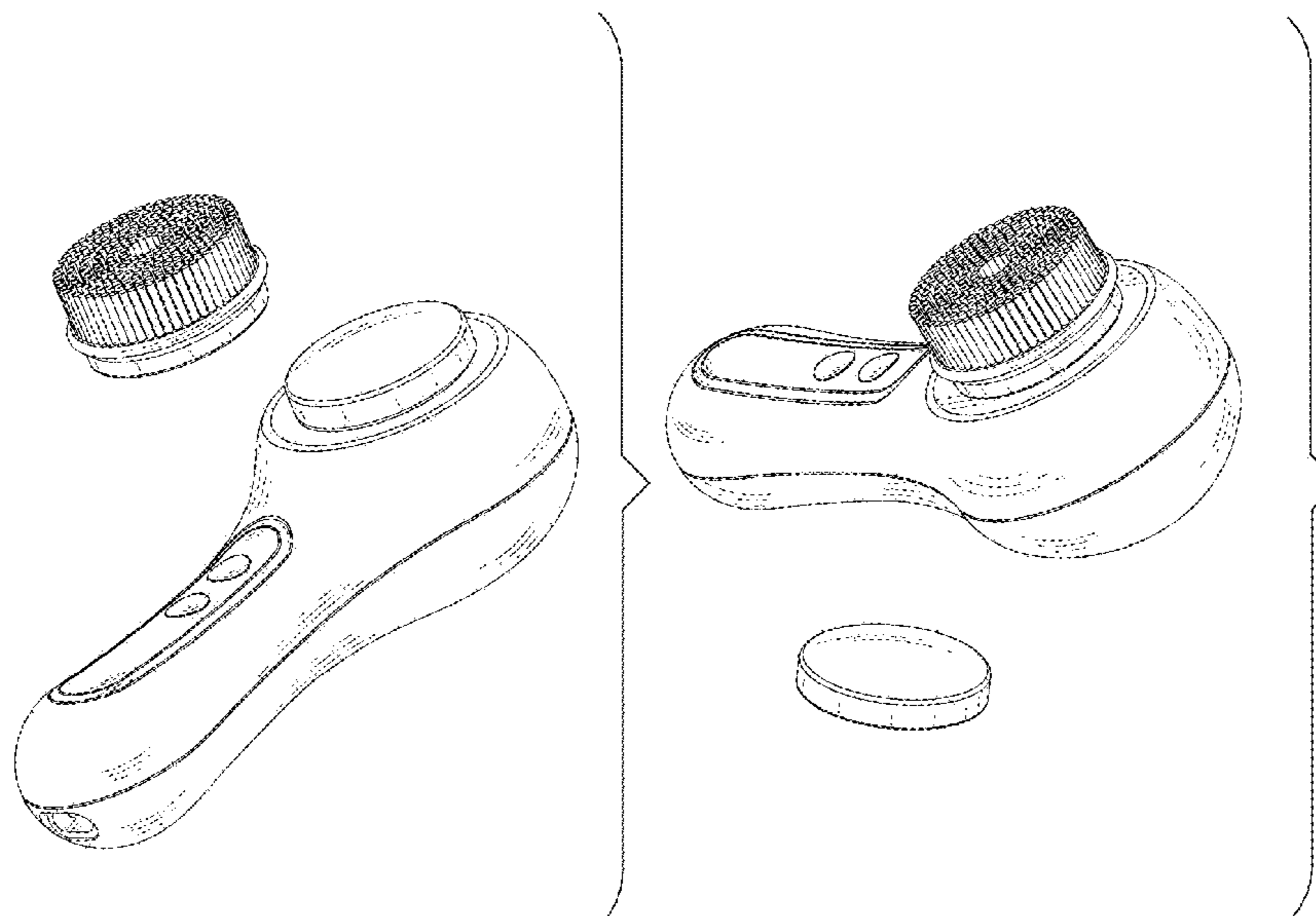
FIG. 7 is a top plan view thereof;

FIG. 8 is a bottom plan view thereof;

FIG. 9 is a front, bottom and left-side perspective view of the electric cleansing instrument of FIG. 1, whereby the beauty LED lamp head is shown mounted in place; and,

FIG. 10 is a front, bottom and left-side perspective view of the electric cleansing instrument of FIG. 1, whereby the cleaning brush head is shown mounted in place.

1 Claim, 10 Drawing Sheets



(56)

References Cited

U.S. PATENT DOCUMENTS

2010/0222719 A1* 9/2010 Cowie A61H 23/0263
601/46
2019/0029411 A1* 1/2019 Brewer A61H 7/005

* cited by examiner

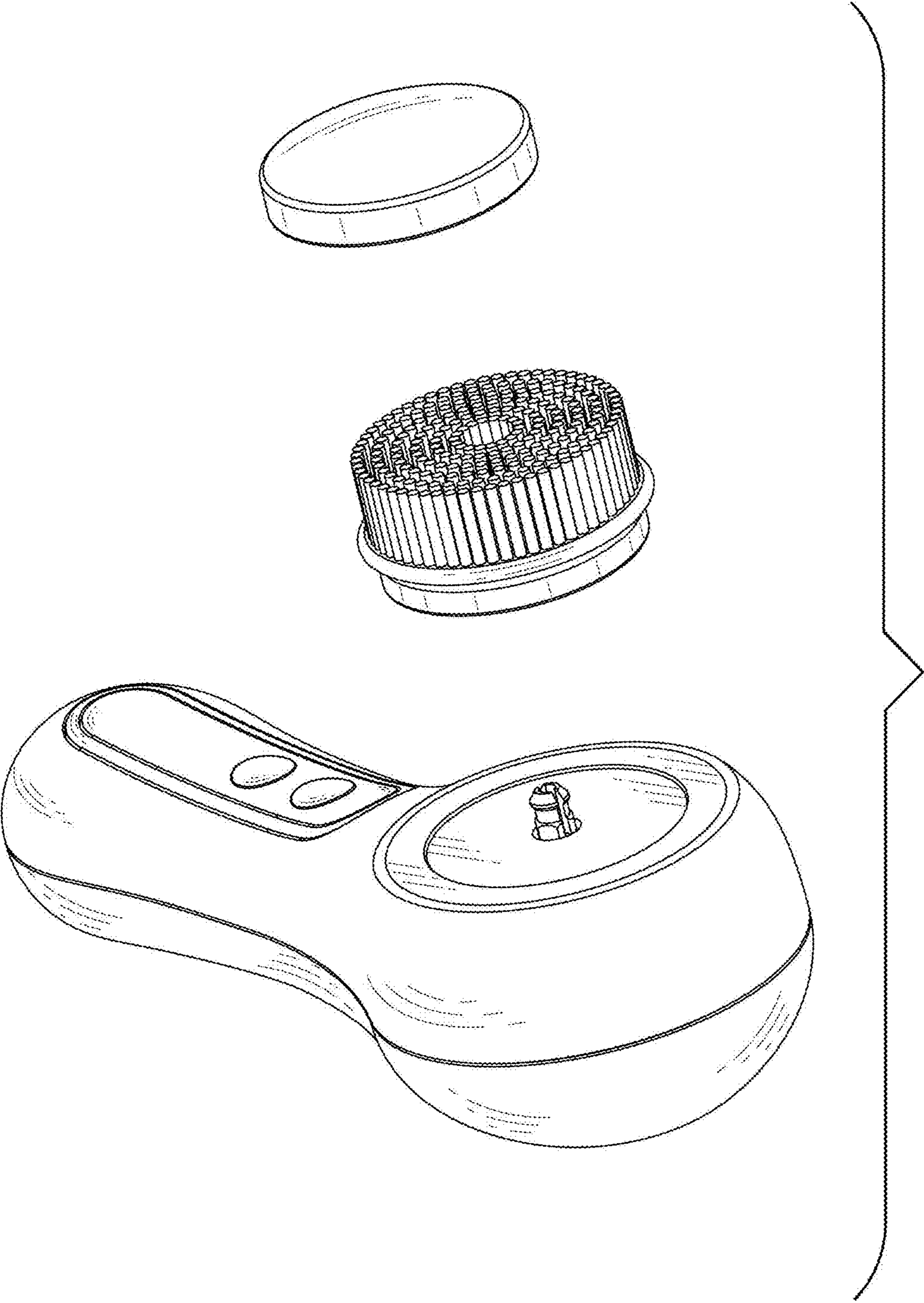


FIG.1

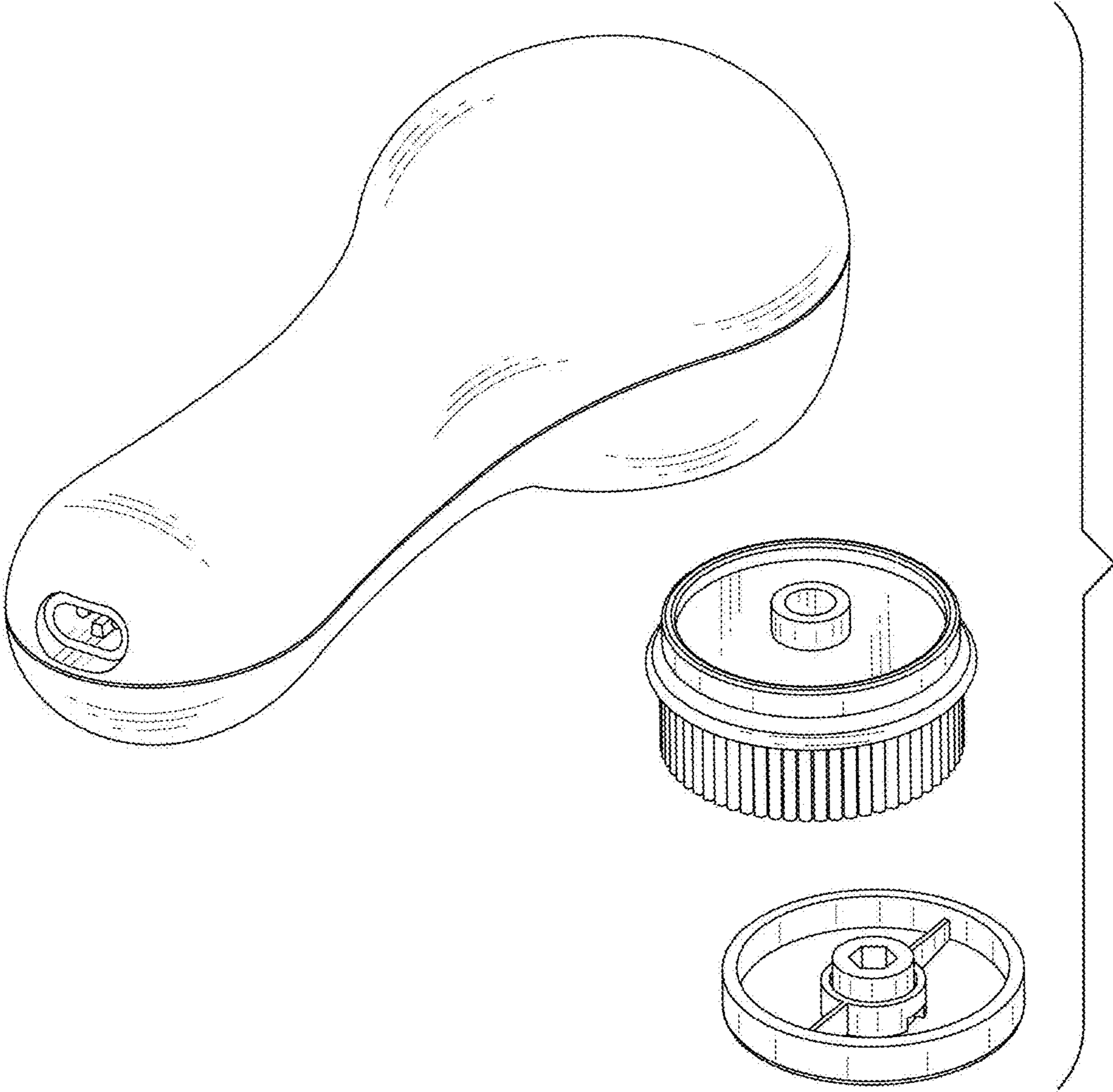


FIG.2

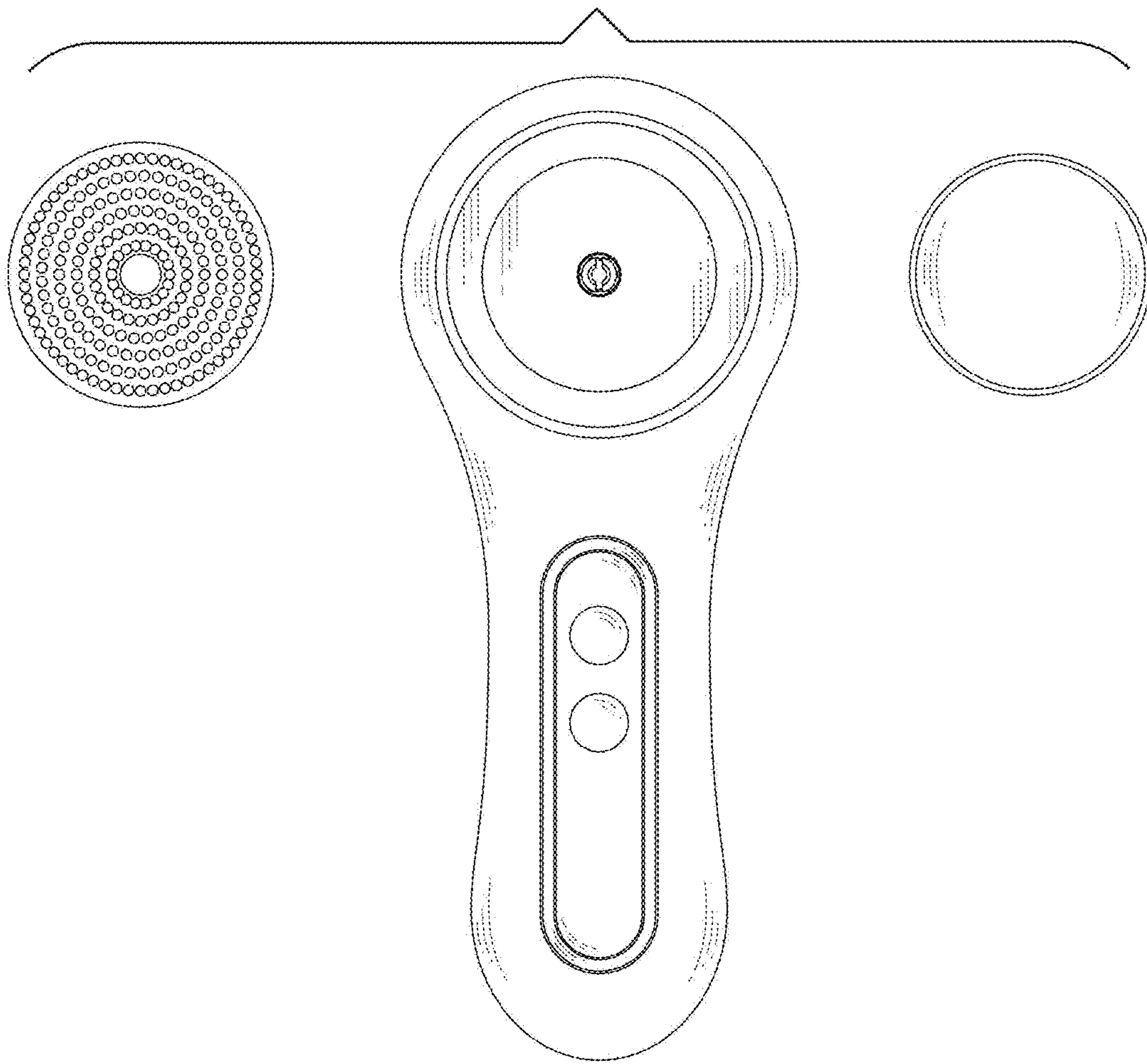


FIG.3

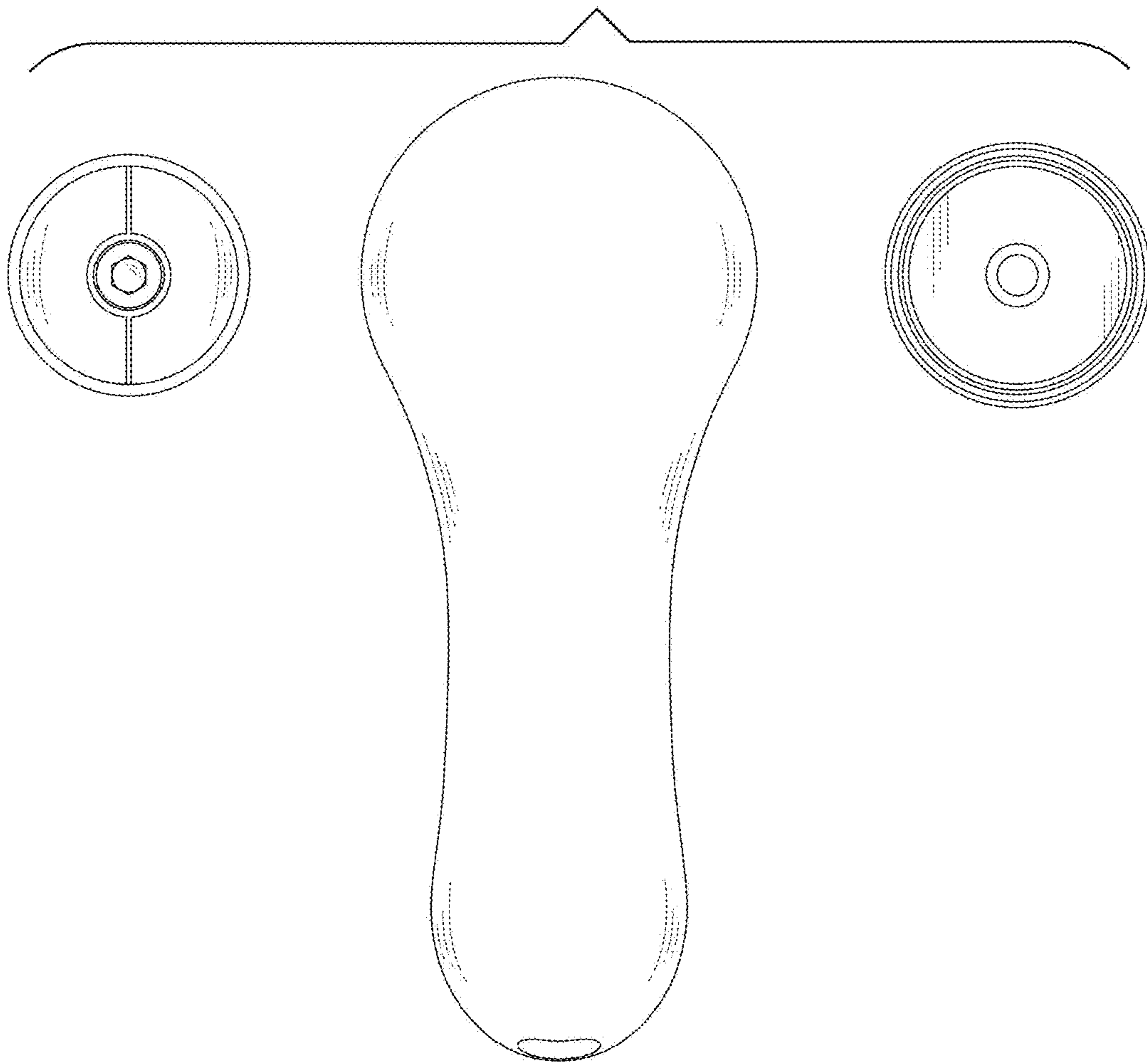


FIG.4

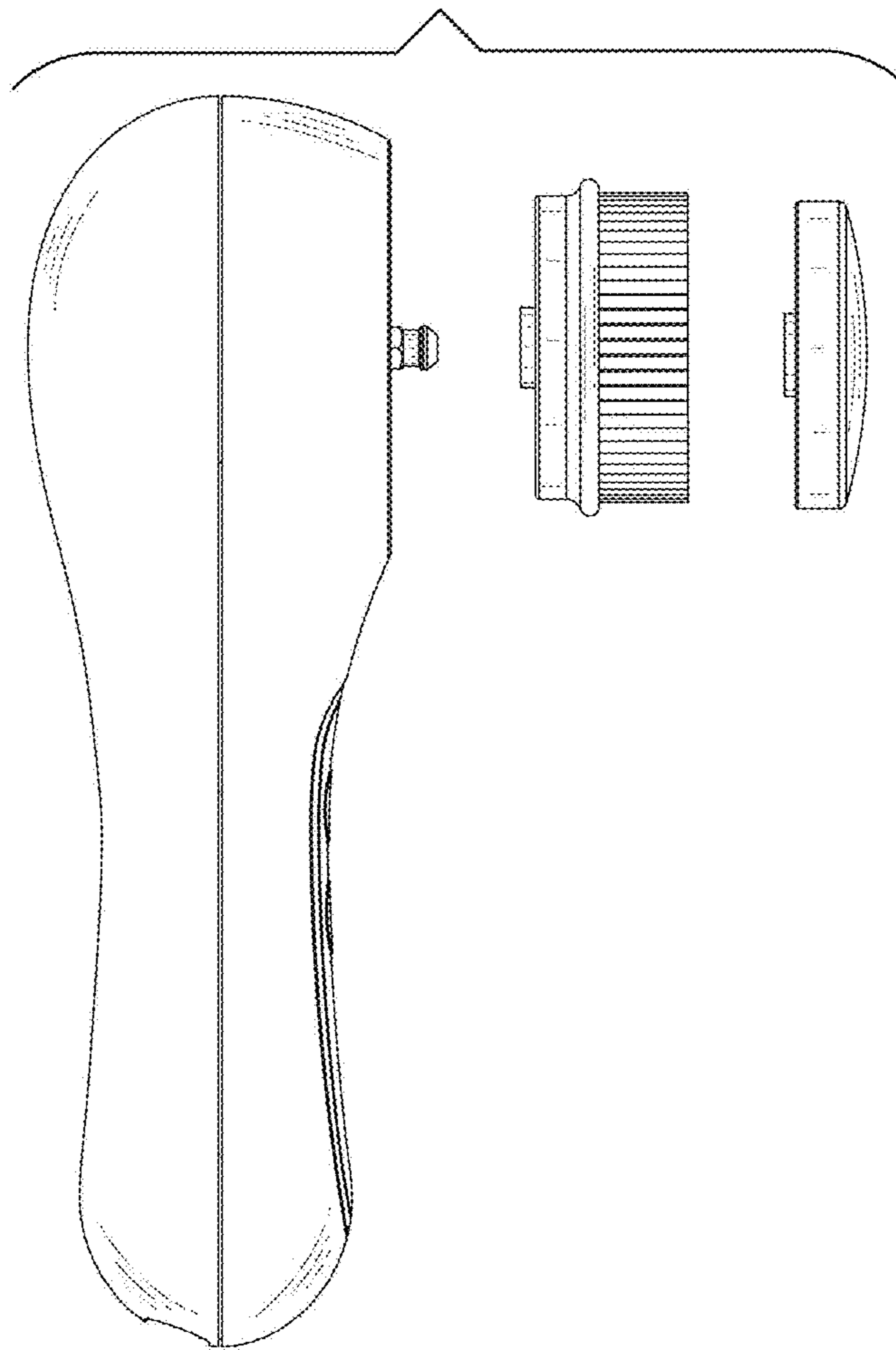


FIG. 5

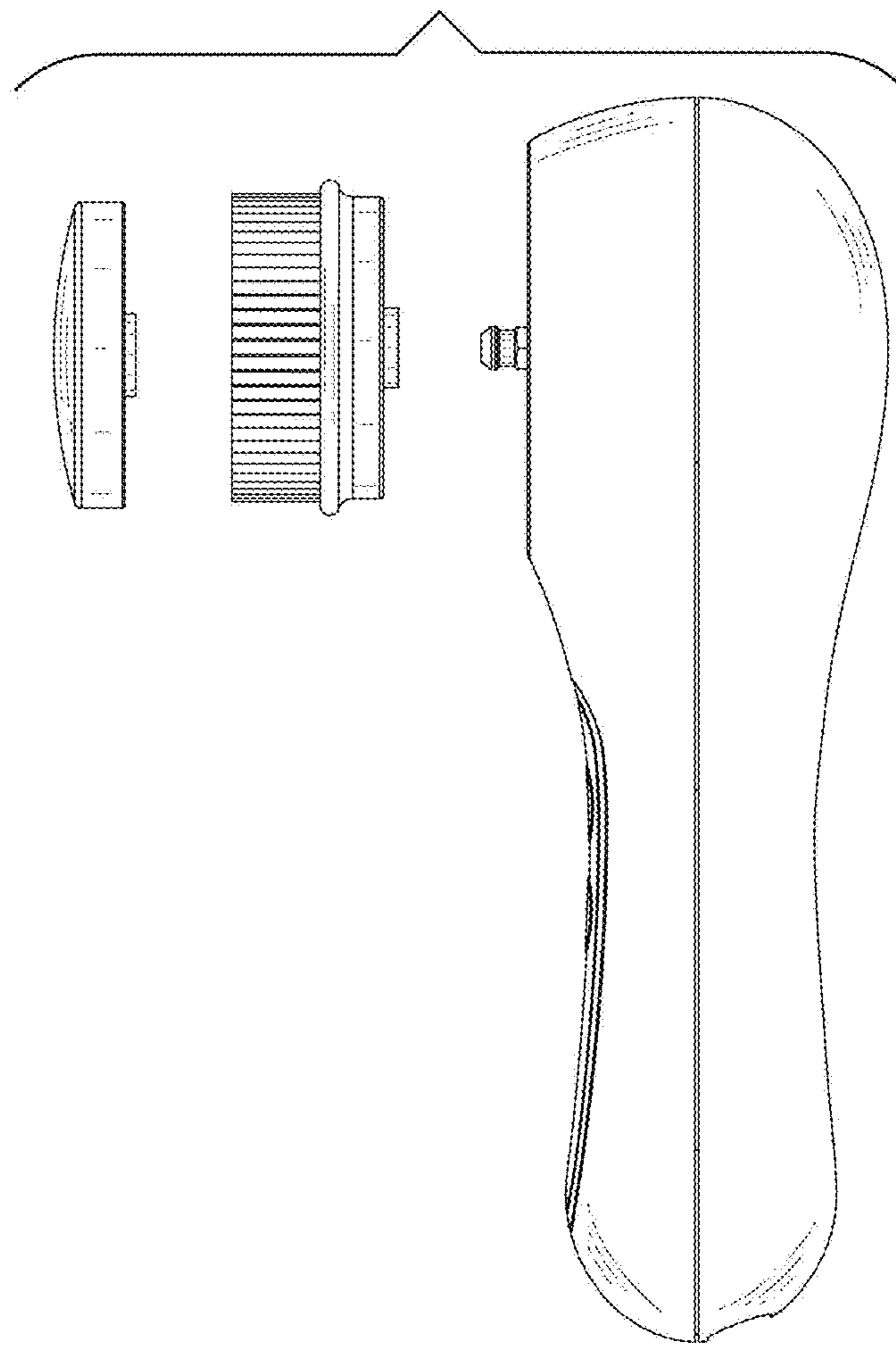


FIG. 6

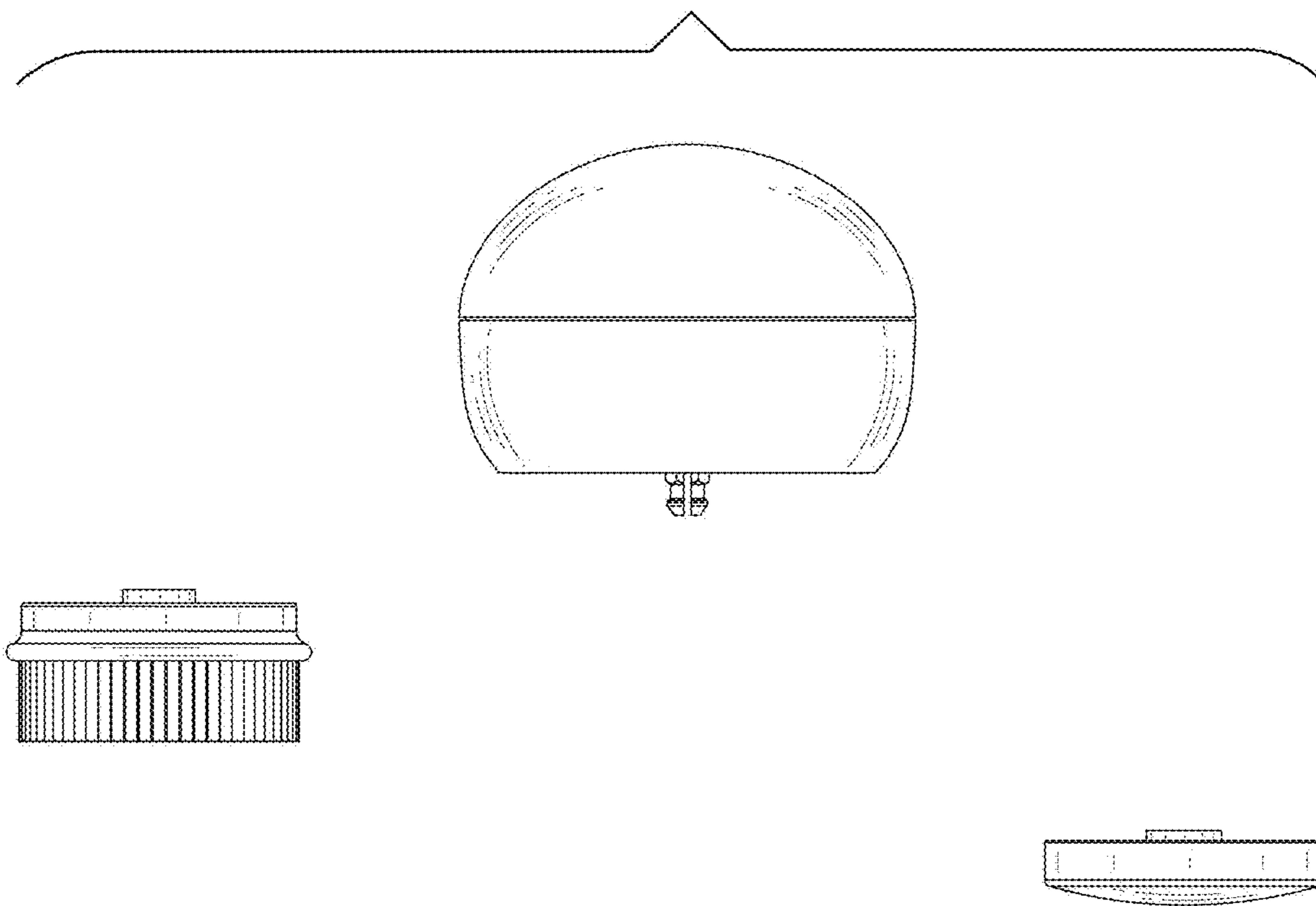


FIG. 7

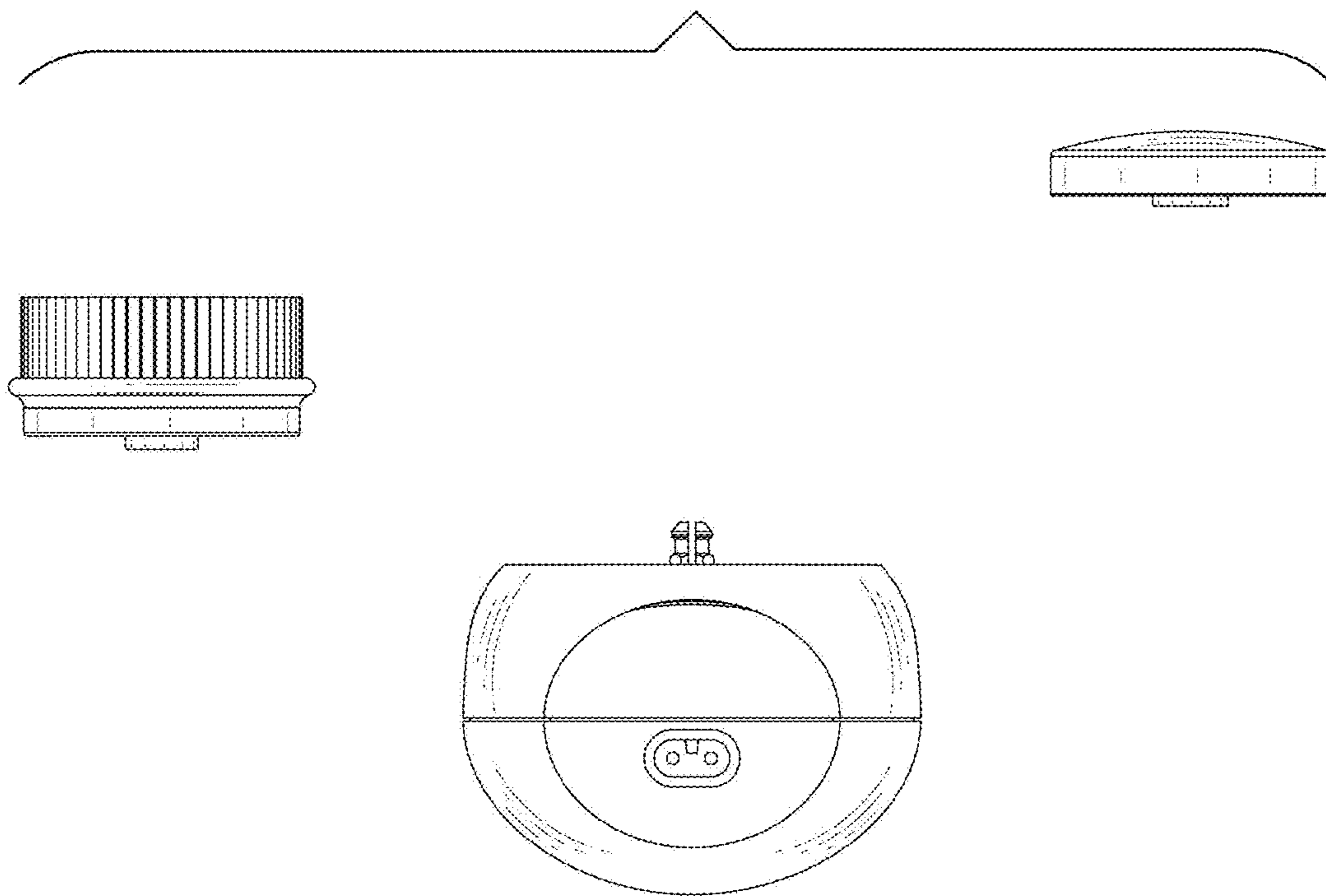


FIG. 8

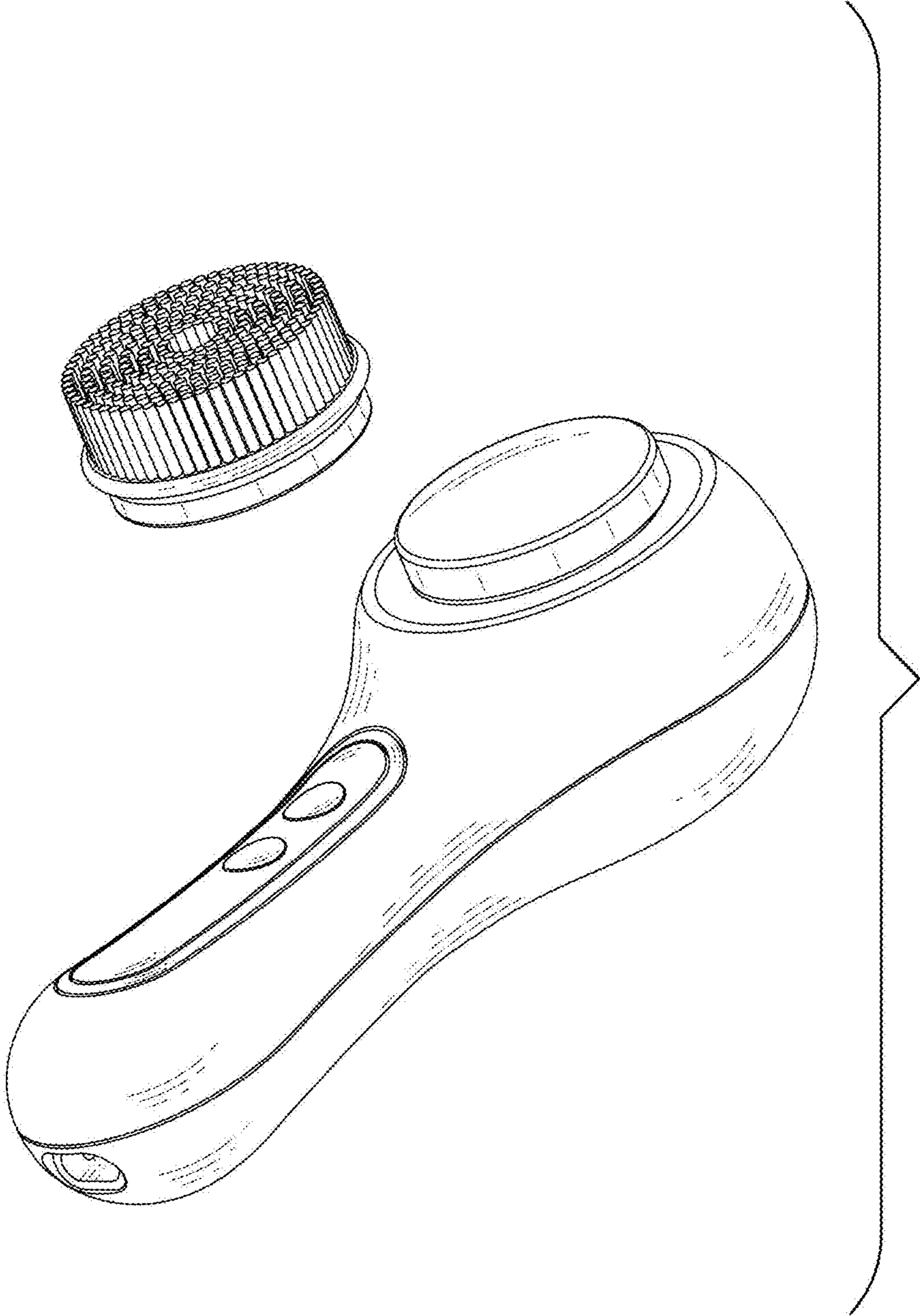


FIG. 9

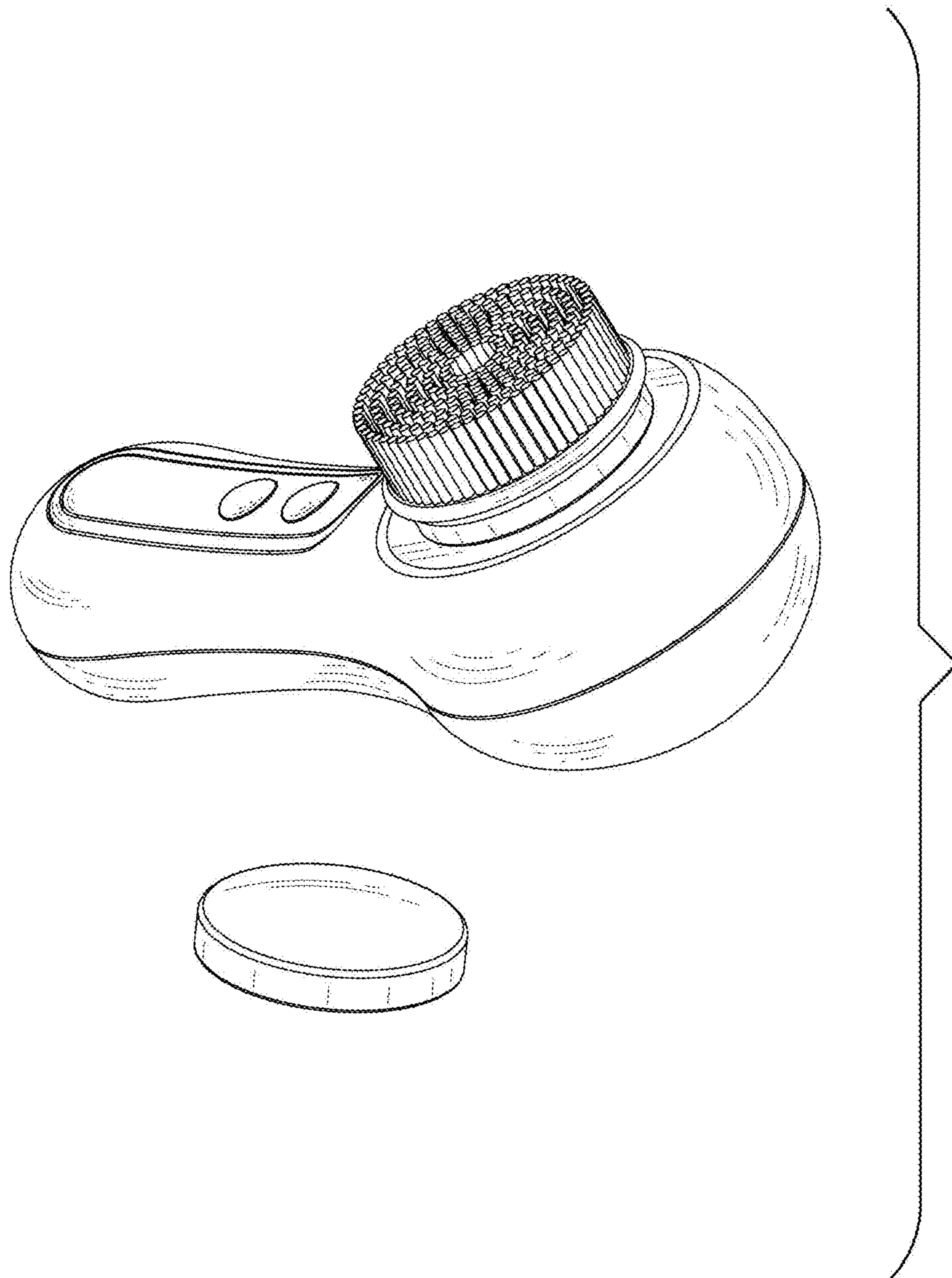


FIG. 10