



US00D920679S

(12) **United States Design Patent** (10) **Patent No.:** **US D920,679 S**
Qian (45) **Date of Patent:** **** Jun. 1, 2021**

(54) **ELECTRIC FACIAL CLEANSING BRUSH**

FOREIGN PATENT DOCUMENTS

(71) Applicant: **Shenzhen Lai Shimei Cosmetics Co., Ltd.**, Guangdong (CN)

CN	305030028	*	2/2019
CN	305436537	*	11/2019
CN	306270178	*	1/2021
EM	008153944-0001	*	9/2020
KR	300821015.0000	*	10/2018
RU	00120974	*	8/2020

(72) Inventor: **JunJiang Qian**, Zaoyang (CN)

(**) Term: **15 Years**

OTHER PUBLICATIONS

(21) Appl. No.: **29/757,922**

(22) Filed: **Nov. 10, 2020**

(51) **LOC (13) Cl.** **28-03**

(52) **U.S. Cl.**

USPC **D4/100**; D4/133; D4/135

(58) **Field of Classification Search**

USPC D4/100, 102, 121, 127, 128, 130, 132, D4/133, 135, 136, 137, 138, 199; D24/200, 214, 215

CPC A46B 5/02; A46B 9/02; A46B 9/06; A46B 13/02; A46B 13/023; A46B 15/0075; A46B 15/0097; A46B 2200/1006; A46B 2200/102; A47K 7/02; A47K 7/043

See application file for complete search history.

Leuxe Facial Cleansing Brush, IPX6 Rotating Face Brush for Deep Cleansing, 3 Modes and Smart Timer [on-line.] [Original publication date unknown.] [Retrieved from the Internet Apr. 8, 2021.] URL: ><https://www.amazon.com/Leuxe-Facial-Cleansing-Waterproof-Rotating/dp/B088GMVYQX>< (Year: 2021).*

* cited by examiner

Primary Examiner — Karen E Eldridge Powers

(57) **CLAIM**

The ornamental design for an electric facial cleansing brush, as shown and described.

DESCRIPTION

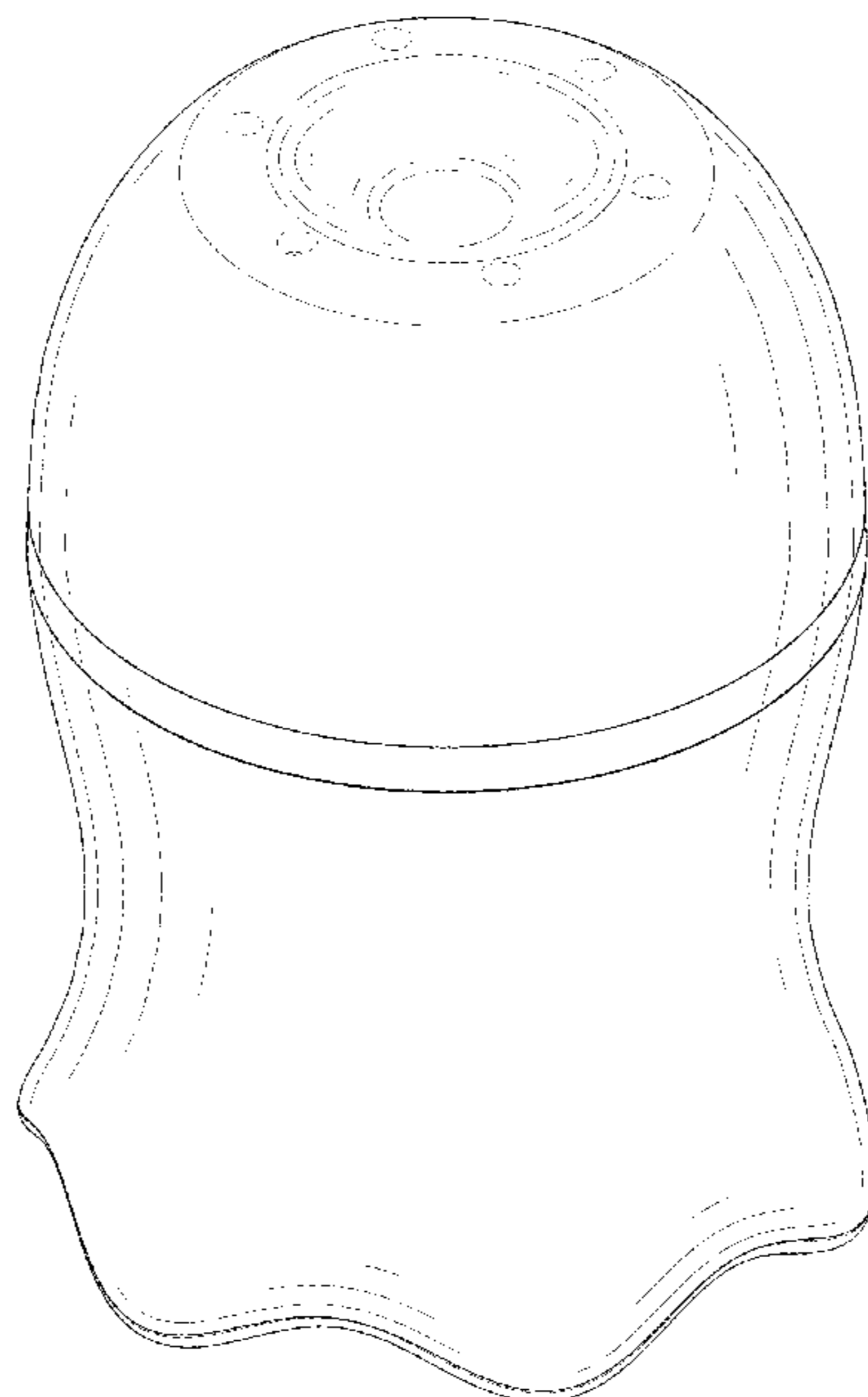
FIG. 1 is a front and top perspective view of an electric facial cleansing brush, showing my new design; FIG. 2 is a rear and bottom perspective view thereof; FIG. 3 is a front elevational view thereof; FIG. 4 is a rear elevational view thereof; FIG. 5 is a left side elevational view thereof; FIG. 6 is a right side elevational view thereof; FIG. 7 is a top plan view thereof; FIG. 8 is a bottom plan view thereof; and, FIG. 9 is an exploded view thereof. The broken lines in the figures illustrate portions of the article that form no part of the claimed design.

(56) **References Cited**

U.S. PATENT DOCUMENTS

D744,754	S	*	12/2015	Reishus	D4/102
D744,755	S	*	12/2015	Reishus	D4/102
D770,181	S	*	11/2016	Reishus	D4/100
D771,951	S	*	11/2016	Reishus	D4/100
D811,747	S	*	3/2018	Powell	D4/102
D837,959	S	*	1/2019	Nie	D23/356
D866,981	S		11/2019	He		
D876,842	S	*	3/2020	Tschopp	D4/127
D880,167	S	*	4/2020	Hwang	D4/124
D911,544	S	*	2/2021	Zhou	D24/215
2016/0206087	A1	*	7/2016	Skidmore	A46B 15/0046
2020/0037747	A1	*	2/2020	Khormaei	A46B 13/008
2020/0237085	A1	*	7/2020	Miller	A46B 9/021

1 Claim, 9 Drawing Sheets



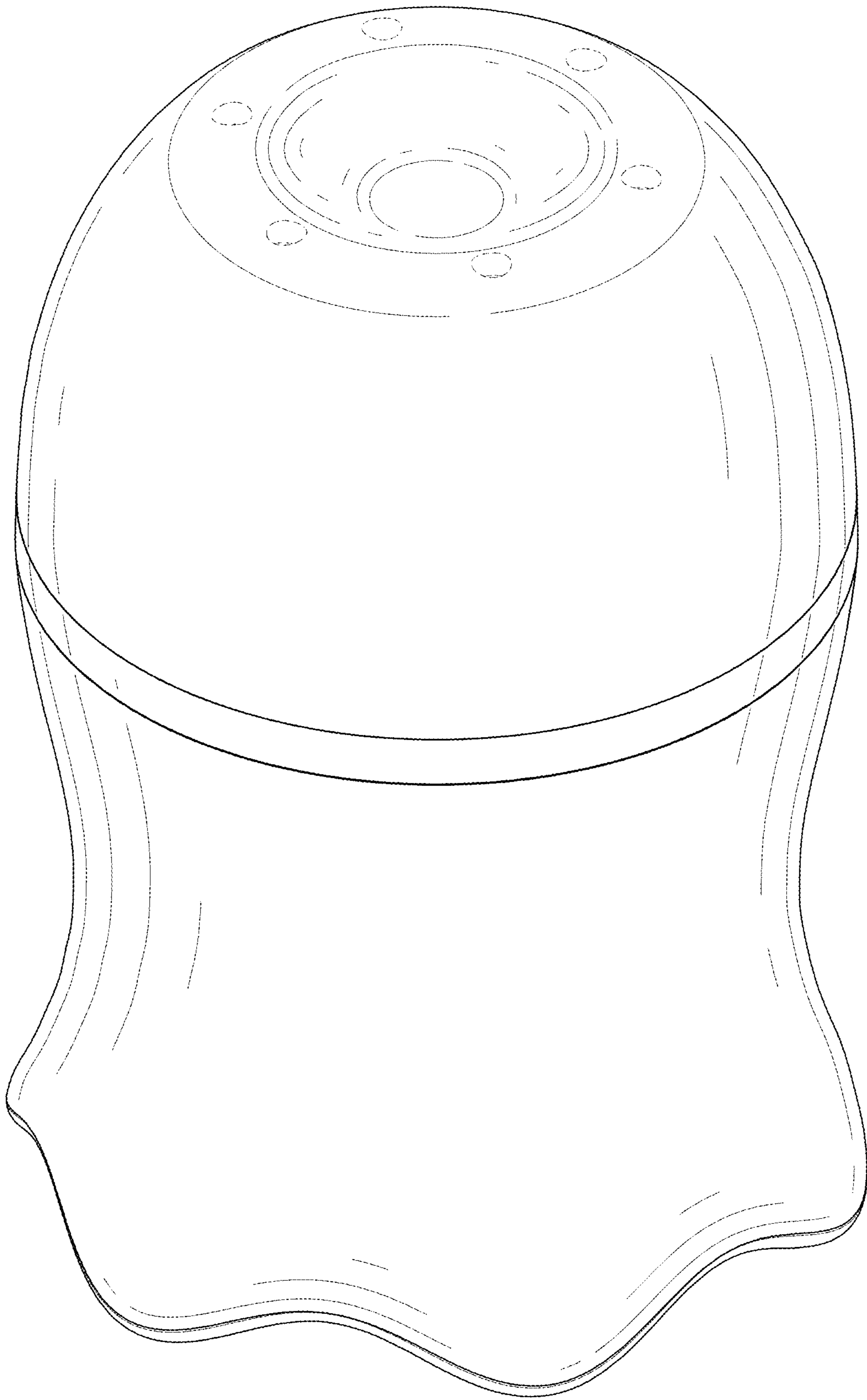


FIG. 1

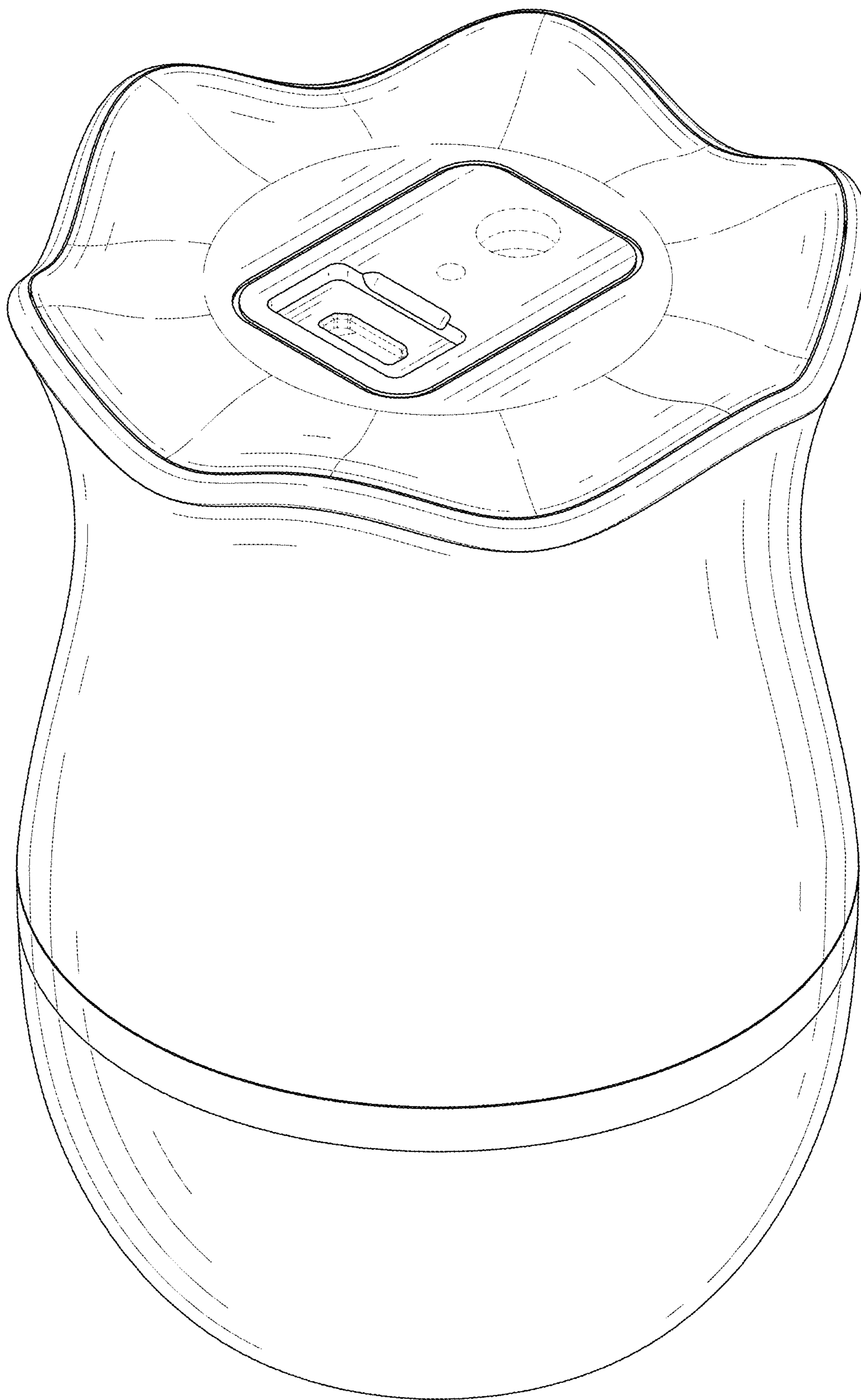


FIG. 2

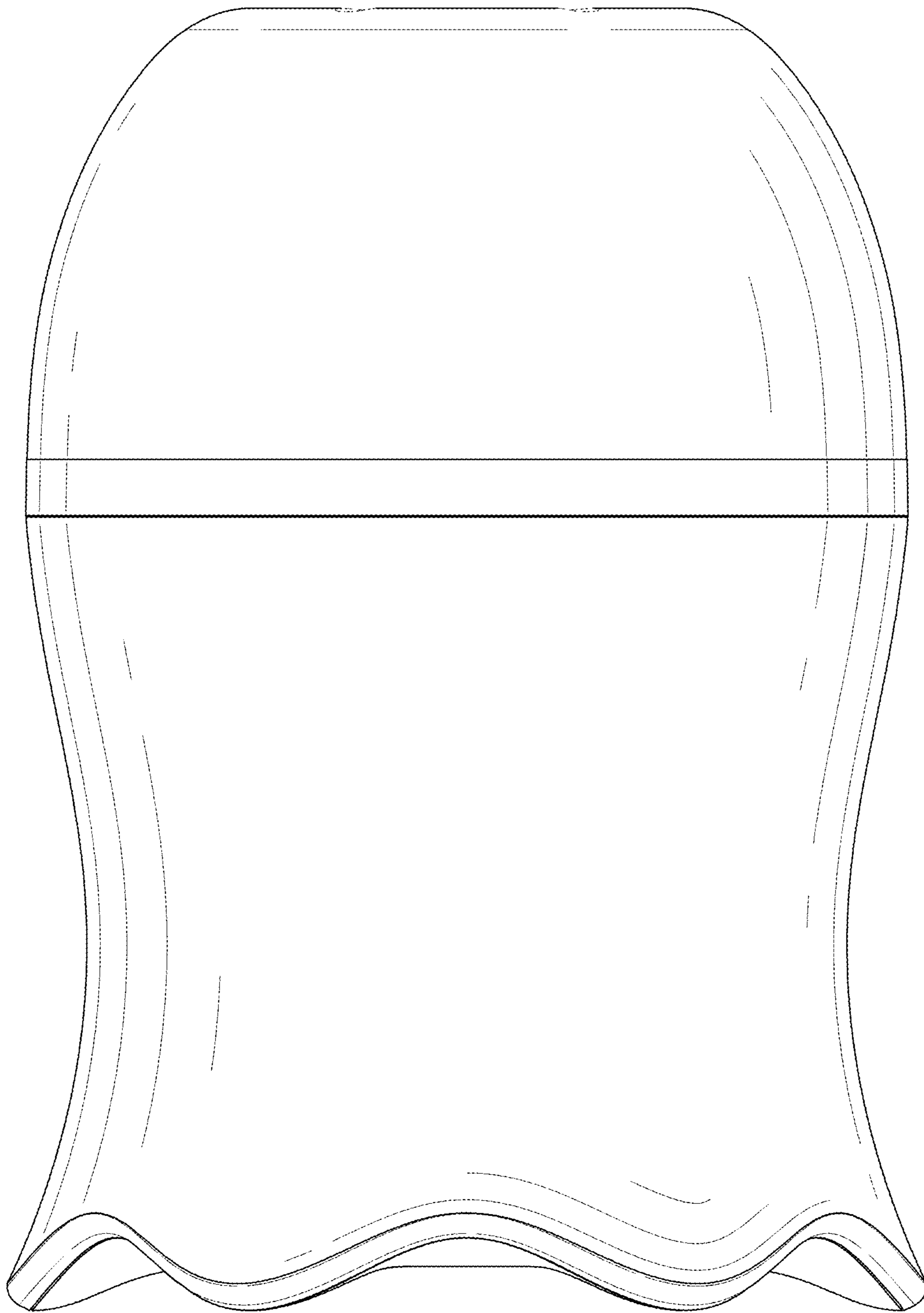


FIG. 3

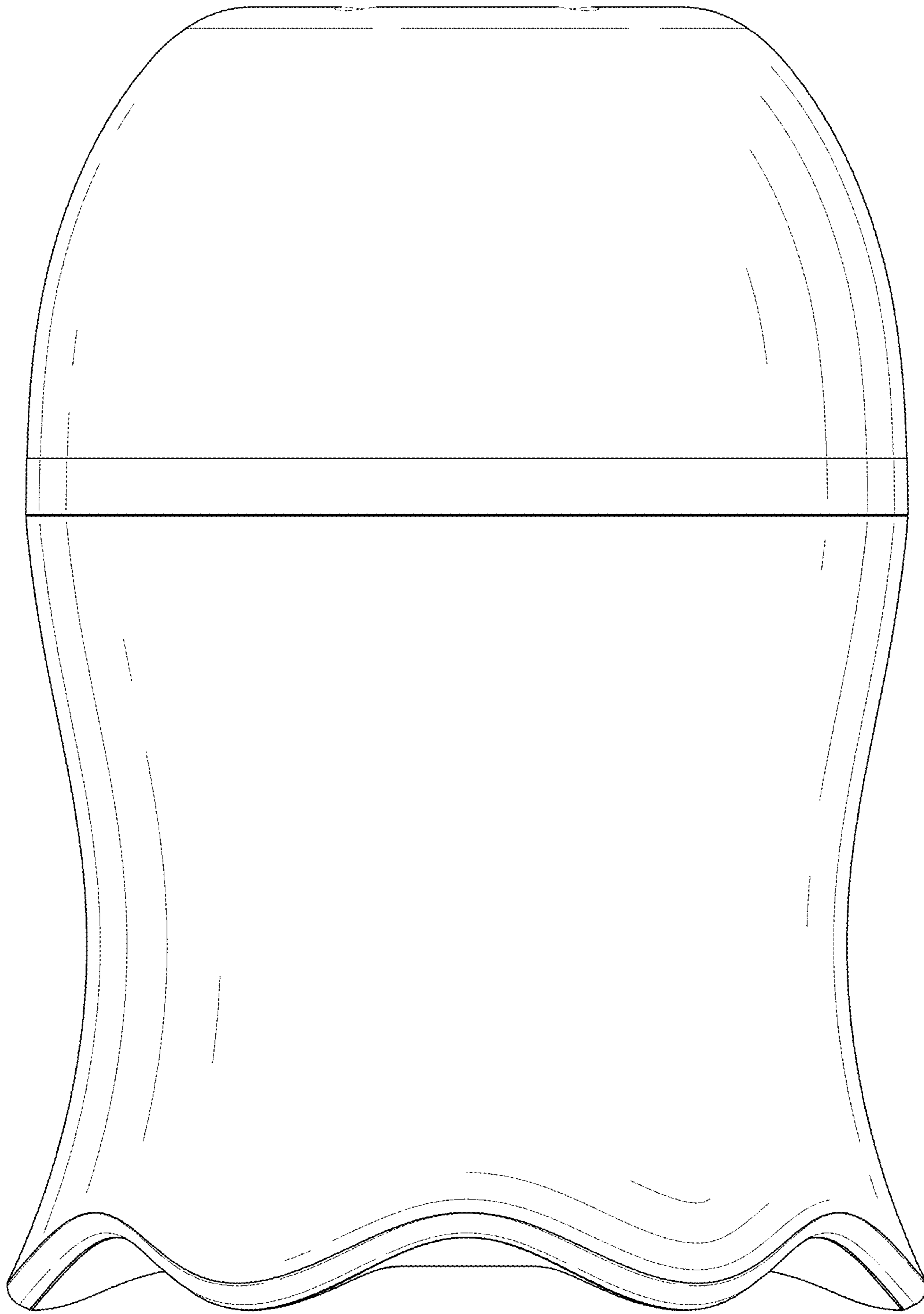


FIG. 4

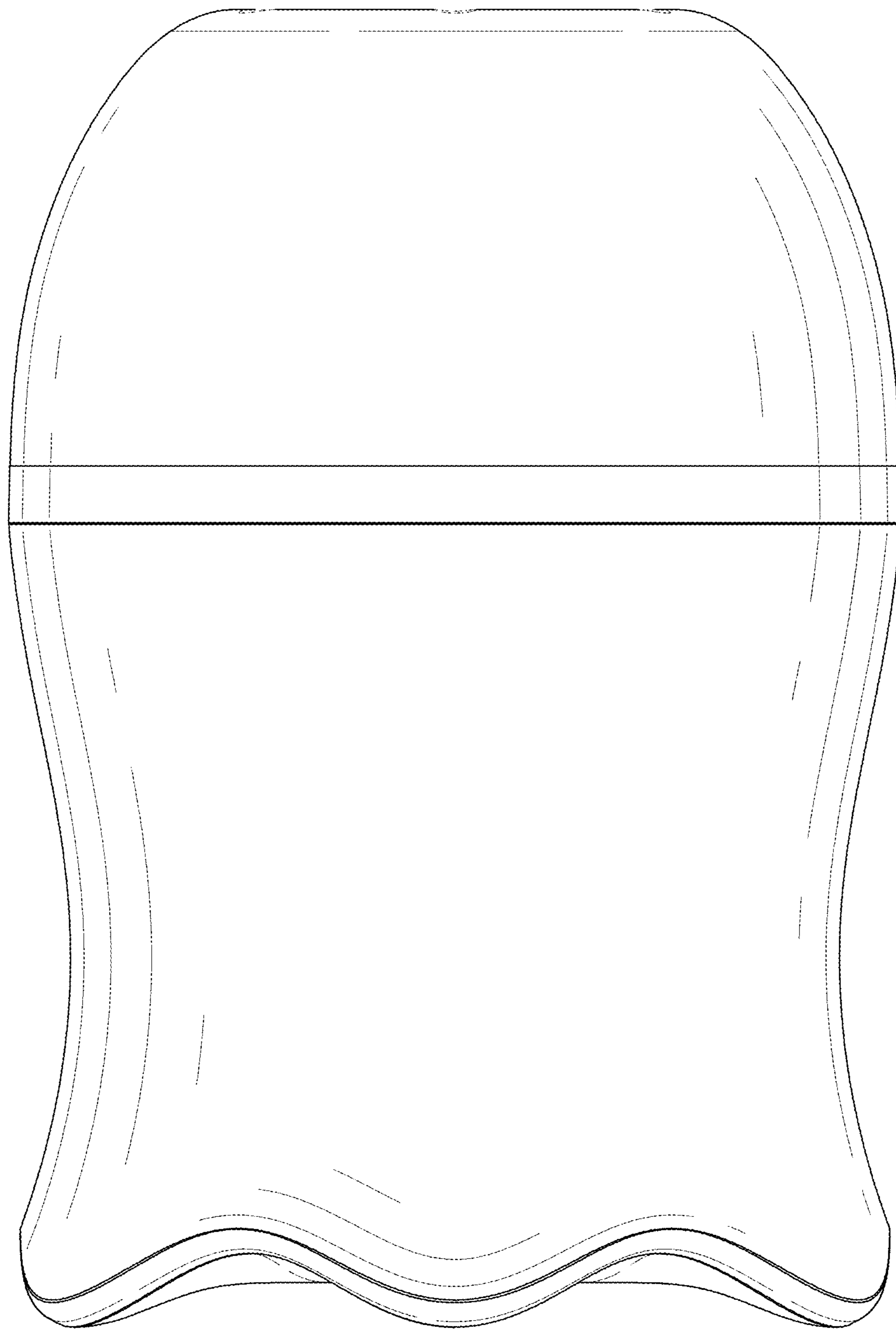


FIG. 5

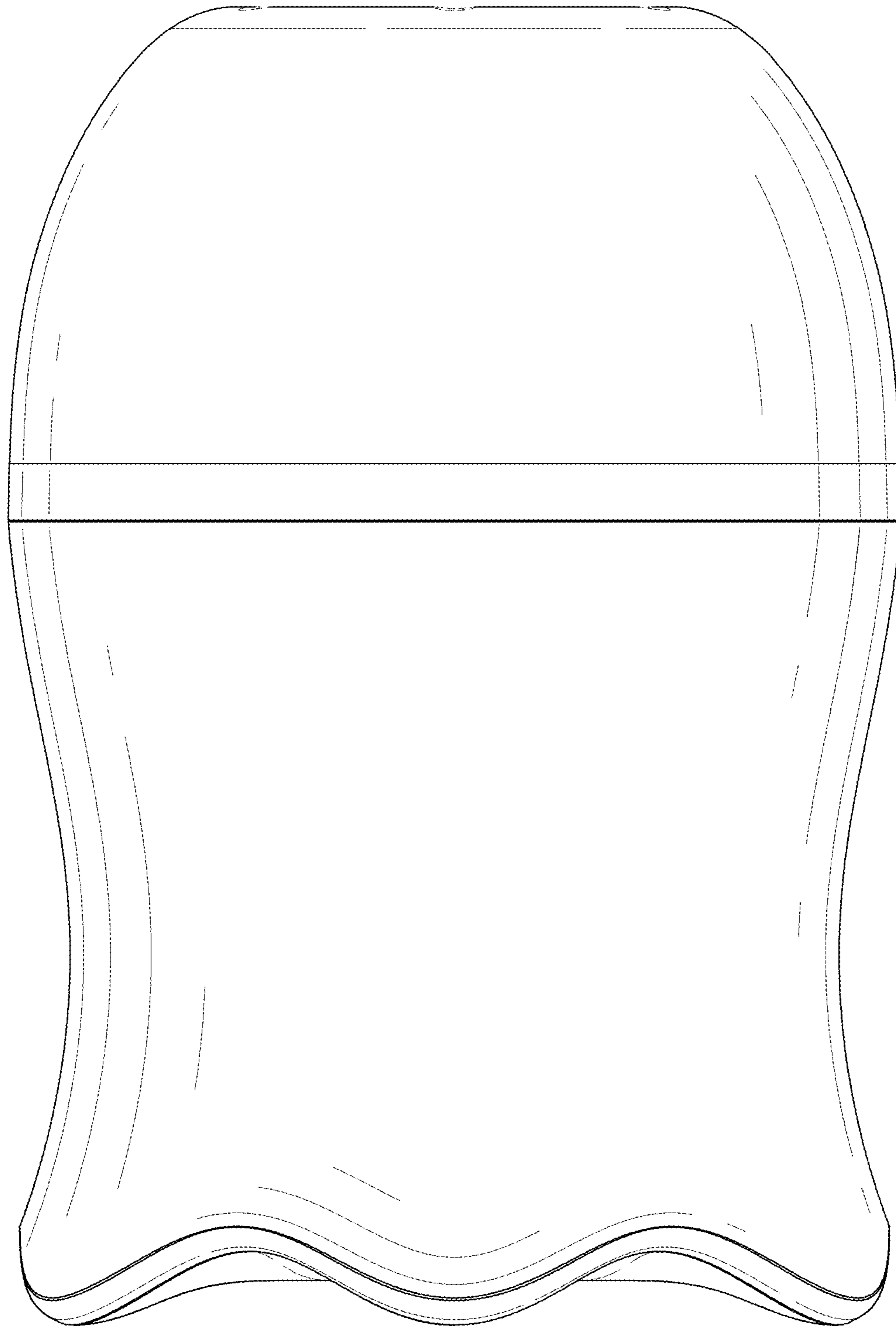


FIG. 6

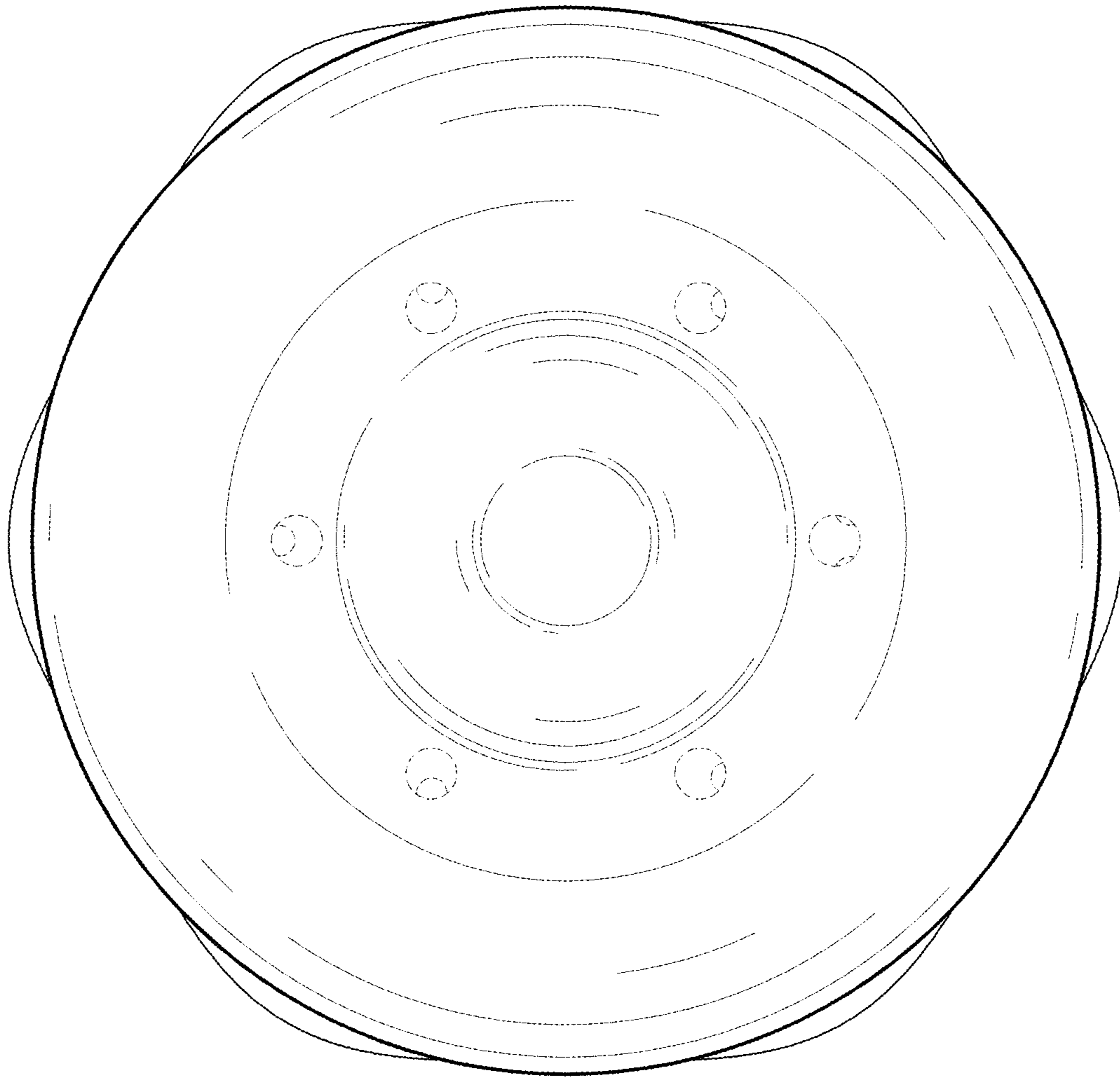


FIG. 7

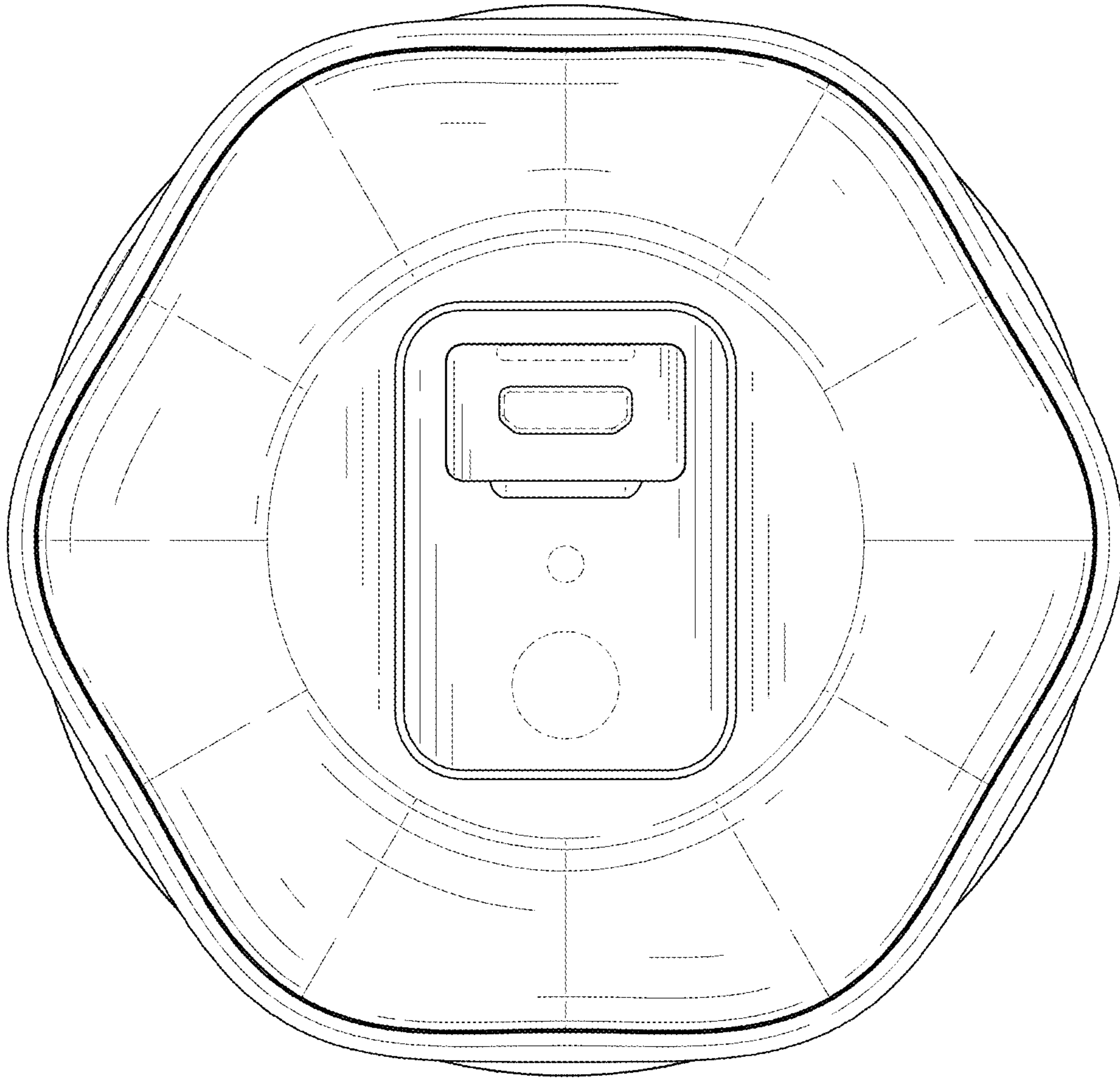


FIG. 8

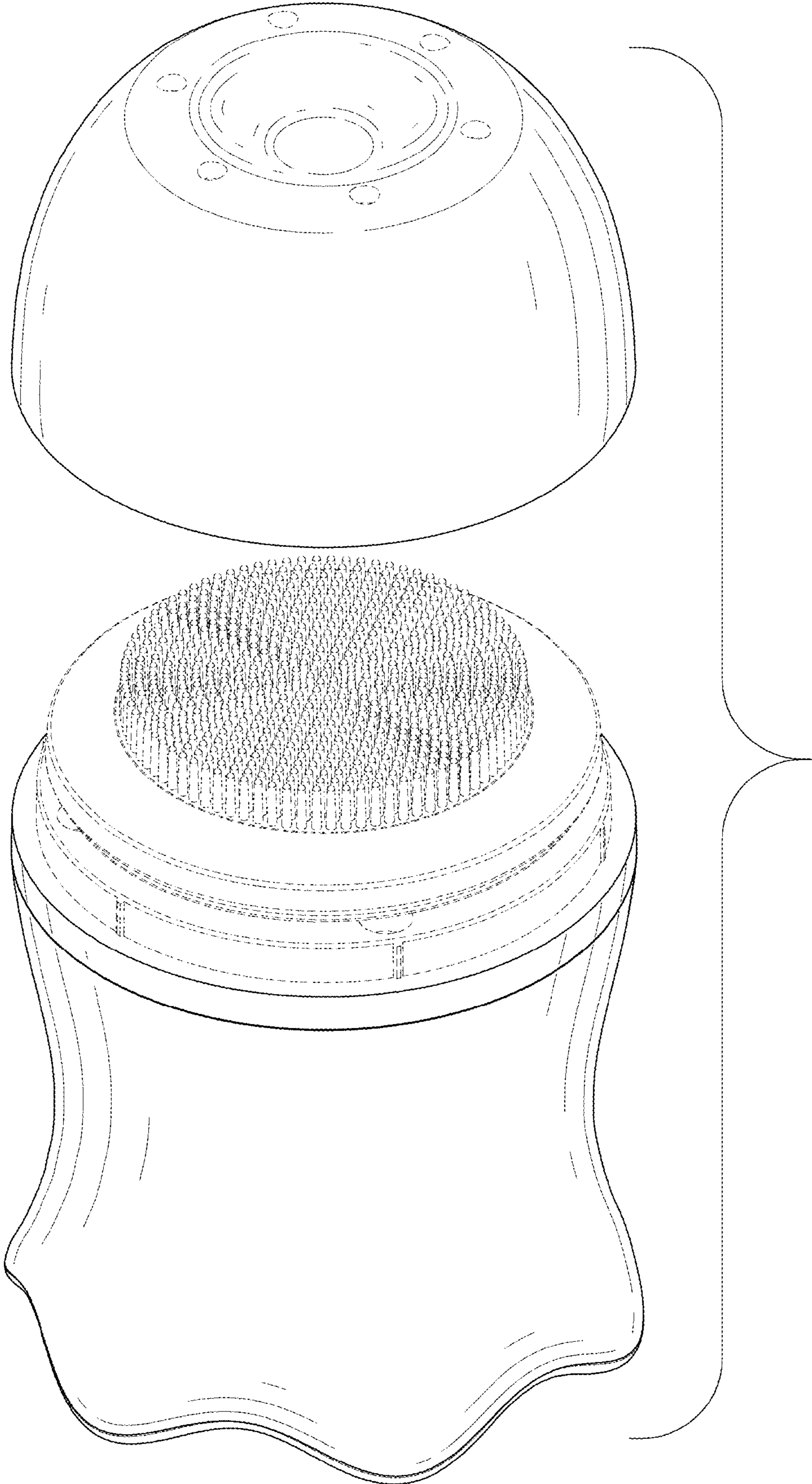


FIG. 9