



US00D920678S

(12) **United States Design Patent** (10) **Patent No.:** **US D920,678 S**
Seiders et al. (45) **Date of Patent:** **** Jun. 1, 2021**

(54) **BAG**
(71) Applicant: **YETI Coolers, LLC**, Austin, TX (US)
(72) Inventors: **Roy Joseph Seiders**, Austin, TX (US);
Dustin Bullock, Austin, TX (US)
(73) Assignee: **YETI Coolers, LLC**, Austin, TX (US)
(**) Term: **15 Years**

2,188,899 A 2/1940 Hebbard et al.
2,483,802 A 10/1949 Bradley
2,499,291 A 2/1950 Baumann
2,548,064 A 4/1951 Reinhart
2,575,191 A 11/1951 Seipp
2,771,112 A 11/1956 Ingram
2,871,900 A 2/1959 Auditore
4,116,253 A 9/1978 Watsky
4,211,091 A 7/1980 Campbell
D263,650 S 4/1982 Schimmel
(Continued)

(21) Appl. No.: **29/705,665**

FOREIGN PATENT DOCUMENTS

(22) Filed: **Sep. 13, 2019**

CA 2483802 A1 4/2006
CA 2499291 A1 9/2006
(Continued)

Related U.S. Application Data

(63) Continuation of application No. 29/648,869, filed on May 24, 2018, now Pat. No. Des. 861,338, which is a continuation of application No. 29/595,100, filed on Feb. 24, 2017, now Pat. No. Des. 822,987.

OTHER PUBLICATIONS

Jul. 26, 2019—(CN) First Office Action—App 20180157521.6.
(Continued)

(51) **LOC (13) Cl.** **03-01**

(52) **U.S. Cl.**
USPC **D3/318**

Primary Examiner — Jennifer L Watkins
(74) *Attorney, Agent, or Firm* — Banner & Witcoff, Ltd.

(58) **Field of Classification Search**
USPC D3/232–233, 240–243, 245–246, 285,
D3/287–290, 203.1, 203.6, 205, 215, 299,
D3/902, 318; D7/605, 607
CPC .. A45C 1/024; A45C 3/06; A45C 3/08; A45C
5/005; A45C 7/0036; A45C 2009/007;
A45C 9/00; A45C 2011/003; A45C 11/20
See application file for complete search history.

(57) **CLAIM**
The ornamental design for a bag, as shown and described.

DESCRIPTION

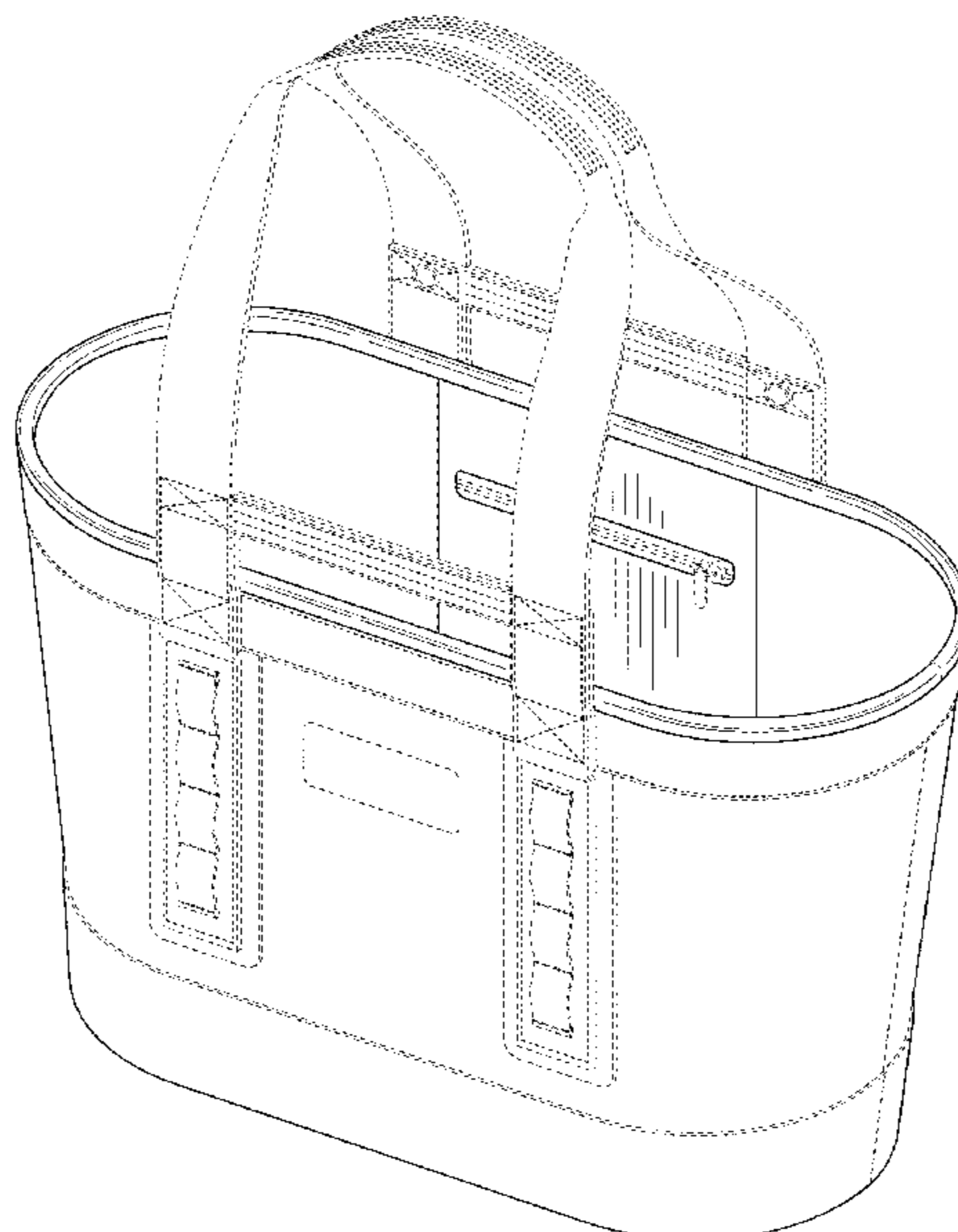
FIG. 1 is a top, front, right perspective view of a bag showing our new design;
FIG. 2 is a front view thereof;
FIG. 3 is a rear view thereof;
FIG. 4 is a right side view thereof;
FIG. 5 is a left side view thereof; and,
FIG. 6 is a top view thereof.
The broken lines depicting features of the bag form no part of the claimed design.

(56) **References Cited**

U.S. PATENT DOCUMENTS

1,001,729 A 8/1911 Buchanan et al.
1,113,757 A 10/1914 Crutcher et al.
1,305,797 A 6/1919 Henderson
1,378,928 A 5/1921 Witzel
1,386,557 A 8/1921 Edwards et al.
D107,596 S 12/1937 Felmann

1 Claim, 5 Drawing Sheets



(56)

References Cited

U.S. PATENT DOCUMENTS

D265,948 S	8/1982	Stark	D763,575 S	8/2016	Tiscareno-Rippe et al.
D281,546 S	12/1985	Bradshaw	D764,791 S	8/2016	Patel
4,723,300 A	2/1988	Aranow	D765,394 S	9/2016	Moore
4,812,054 A	3/1989	Kirkendall	D768,987 S	10/2016	Blumenfeld
4,961,522 A	10/1990	Weber	D769,616 S	10/2016	Keene
D340,621 S	10/1993	Melk	D770,759 S	11/2016	Gamble et al.
D340,840 S	11/1993	Melk	D770,763 S	11/2016	Joo et al.
5,490,396 A	2/1996	Morris	D773,813 S	12/2016	Jakubowski
5,507,542 A	4/1996	Eden	D774,747 S	12/2016	Gamble et al.
D387,626 S	12/1997	Melk	D776,929 S	1/2017	Noh
5,813,445 A	9/1998	Christman	D778,045 S	2/2017	Ruddis
5,848,734 A	12/1998	Melk	9,578,937 B2	2/2017	Kern et al.
D422,411 S	4/2000	Martin	D782,820 S	4/2017	Thompson
6,092,661 A	7/2000	Mogil	D784,010 S	4/2017	Dumas
D447,632 S	9/2001	Gisser	D785,325 S	5/2017	Samrelius et al.
6,409,066 B1	6/2002	Schneider et al.	D785,930 S	5/2017	Sassi
6,640,856 B1	11/2003	Tucker	D786,559 S	5/2017	Seiders et al.
D491,354 S	6/2004	Chapelier	D786,560 S	5/2017	Seiders et al.
D497,050 S	10/2004	Grambush	D786,561 S	5/2017	Seiders et al.
6,810,933 B2	11/2004	Gordon et al.	D786,562 S	5/2017	Seiders et al.
7,071,150 B2	7/2006	Liu Yijie	D787,187 S	5/2017	Seiders et al.
7,073,942 B2	7/2006	Vazquez	D787,818 S	5/2017	Gerbelle
D526,120 S	8/2006	Lee et al.	D787,823 S	5/2017	Nair
D535,820 S	1/2007	Kamiya	D789,080 S	6/2017	Caffagni
D536,170 S	2/2007	Elson	D789,081 S	6/2017	Sassi
D582,151 S	12/2008	Gonzalez	D789,082 S	6/2017	Barilaro et al.
D587,010 S	2/2009	Deck	D797,454 S	9/2017	Seiders et al.
7,581,886 B2	9/2009	Nitti	D797,455 S	9/2017	Seiders et al.
7,597,478 B2	10/2009	Pruchnicki et al.	D798,670 S	10/2017	Seiders et al.
D603,606 S	11/2009	Wang	D799,276 S	10/2017	Seiders et al.
D611,706 S	3/2010	Angles et al.	D799,277 S	10/2017	Seiders et al.
7,682,080 B2	3/2010	Mogil	D802,297 S	11/2017	Dumas
D617,553 S	6/2010	Shaw	D802,373 S	11/2017	Seiders et al.
7,730,739 B2	6/2010	Fuchs	D805,851 S	12/2017	Sullivan et al.
7,762,294 B2	7/2010	Wang	D808,157 S	1/2018	Viger et al.
D621,609 S	8/2010	Hasty	D808,655 S	1/2018	Seiders et al.
D626,329 S	11/2010	Chapelier	D808,730 S	1/2018	Sullivan et al.
D629,612 S	12/2010	Weldon	D811,746 S	3/2018	Seiders et al.
D630,844 S	1/2011	Wang et al.	D814,793 S	4/2018	Dean
D632,074 S	2/2011	Chan et al.	D814,879 S	4/2018	Larson et al.
D637,809 S	5/2011	Meldeau	D817,106 S	5/2018	Larson et al.
D651,397 S	1/2012	Lett	D817,107 S	5/2018	Larson et al.
8,092,087 B2	1/2012	Simhony et al.	D819,967 S	6/2018	Carter et al.
8,132,601 B2	3/2012	Wang	D821,092 S	6/2018	Starck
D663,522 S	7/2012	Schiffman	D821,094 S	6/2018	Dragicevic
D673,772 S	1/2013	Munson et al.	D821,825 S	7/2018	Sullivan et al.
D684,767 S	6/2013	Gerbi	D822,987 S	7/2018	Seiders et al.
D686,412 S	7/2013	Guichot	D822,997 S	7/2018	Seiders et al.
D690,100 S	9/2013	Alfaks	D822,998 S	7/2018	Seiders et al.
D695,568 S	12/2013	Hayes	D822,999 S	7/2018	Seiders et al.
D701,041 S	3/2014	Burnett	D823,601 S	7/2018	Seiders et al.
D711,096 S	8/2014	Hanna	D823,602 S	7/2018	Seiders et al.
D711,098 S	8/2014	Rossignuolo	10,017,299 B2 *	7/2018	Quinn A45C 7/0077
D711,100 S	8/2014	Dingizian	D824,731 S	8/2018	Sullivan et al.
D715,544 S	10/2014	Levine	D830,132 S	10/2018	Sullivan et al.
D717,040 S	11/2014	Swartzel et al.	D830,133 S	10/2018	Sullivan et al.
D717,041 S	11/2014	Pulliam	D830,134 S	10/2018	Sullivan et al.
D718,931 S	12/2014	Brundl	D832,571 S	11/2018	Franklin-Daisey
D732,348 S	6/2015	Seiders et al.	D835,949 S	12/2018	Triska et al.
D732,349 S	6/2015	Seiders et al.	D836,996 S	1/2019	Jacobsen
D732,350 S	6/2015	Seiders et al.	D837,000 S	1/2019	Jacobsen
D732,899 S	6/2015	Seiders et al.	D837,001 S	1/2019	Jacobsen
D739,654 S	9/2015	Brouard	D838,977 S	1/2019	Dragicevic
D743,699 S	11/2015	Wieden	10,226,110 B2	3/2019	Hayashi
D745,268 S	12/2015	Slimane	D844,992 S	4/2019	Seiders et al.
9,254,022 B2	2/2016	Meldeau et al.	D845,619 S	4/2019	Cronkshaw
D752,347 S	3/2016	Seiders et al.	10,244,841 B2	4/2019	Hayashi
D752,860 S	4/2016	Barilaro et al.	D851,400 S *	6/2019	Seiders D3/289
9,307,814 B2	4/2016	Pulliam	D851,404 S	6/2019	Seiders et al.
D758,717 S	6/2016	Joo et al.	10,384,855 B2	8/2019	Seiders et al.
D758,731 S	6/2016	Noh	D859,813 S	9/2019	Seiders et al.
D760,494 S	7/2016	Harvey-Pankey	D860,634 S	9/2019	Seiders et al.
D761,561 S	7/2016	Cheng	10,413,030 B1	9/2019	Douglas et al.
D762,378 S	8/2016	Domotor et al.	D871,750 S	1/2020	Noh
D763,570 S	8/2016	Potts	2004/0055679 A1	3/2004	Gordon et al.
			2005/0028910 A1	2/2005	Duty
			2006/0198562 A1	9/2006	Mogil
			2006/0201979 A1	9/2006	Achilles
			2010/0084443 A1	4/2010	Adelman

(56)

References Cited

U.S. PATENT DOCUMENTS

2010/0200450 A1 8/2010 Weed
 2010/0282378 A1 11/2010 Scozzafava
 2011/0036473 A1 2/2011 Chan et al.
 2011/0167863 A1 7/2011 Herrbold
 2011/0283519 A1 11/2011 Pranger
 2011/0311166 A1 12/2011 Pascua
 2012/0328220 A1 12/2012 Kayata
 2014/0248003 A1 9/2014 Mogil et al.
 2014/0369629 A1 12/2014 De La Fuente
 2015/0225164 A1 8/2015 Seiders et al.
 2015/0265020 A1 9/2015 McCue et al.
 2016/0083147 A1 3/2016 Mauro
 2016/0338462 A1 11/2016 Hayashi
 2017/0017596 A1 2/2017 Delete
 2017/0036844 A1 2/2017 Seiders et al.
 2017/0071304 A1 3/2017 Wang
 2017/0099920 A1 4/2017 Bailey
 2018/0317620 A1 11/2018 Larson et al.

FOREIGN PATENT DOCUMENTS

CA 2548064 A1 11/2007
 CN 0037545 A2 10/1981
 CN 2188899 Y 2/1995
 CN 1378928 A 11/2002
 CN 1533868 A 10/2004
 CN 2855170 Y 1/2007
 CN 201011906 Y 1/2008
 CN 201409565 Y 2/2010
 CN 302137314 10/2012
 CN 302868215 7/2014
 CN 302877656 7/2014
 CN 204499726 U 7/2015
 CN 304154180 6/2017
 CN 304181831 6/2017
 CN 304207295 7/2017
 CN 304342577 11/2017
 CN 206760980 U 12/2017
 CN 304527075 3/2018
 EM 000122668-0002 5/2004
 EM 001067250-0003 2/2009
 EM 001188460-0003 2/2010
 EM 001188460-0004 2/2010
 EM 001909490-0001 8/2011
 EM 001952722-0008 11/2011
 EM 002073452-0001 8/2012
 EM 002085308-0003 8/2012
 EM 002163527-0017 1/2013
 EM 002225706-0001 5/2013
 EM 002262436-0001 7/2013
 EM 002264697-0002 7/2013
 EM 002284729-0004 8/2013
 EM 002476853-0001 6/2014
 EM 002476853-0002 6/2014
 EM 002530519-0001 9/2014
 EM 002605345-0004 12/2014
 EM 002609404-0001 1/2015
 EM 002676536-0001 6/2015
 EM 003117324-0009 5/2016
 EM 003329929-0001 8/2016
 EM 003409044-0008 10/2016
 EM 003504331-0027 12/2016
 EM 003733021-0001 2/2017
 EM 005269248-0002 5/2018
 EP 1386557 A1 2/2004
 EP 003811264-0010 3/2017

EP 003841857-0002 4/2017
 EP 004122430-0001 8/2017
 EP 004162337-0001 9/2017
 EP 004162337-0002 9/2017
 EP 004162337-0003 9/2017
 EP 004162337-0004 9/2017
 EP 004162337-0005 9/2017
 EP 004162337-0006 9/2017
 EP 004424059-0002 10/2017
 EP 004417749-0003 11/2017
 EP 004494086-0016 11/2017
 EP 004494086-0017 11/2017
 EP 002719245-0001 1/2018
 EP 005303559-0001 7/2018
 EP 005303559-0003 7/2018
 FR 1113757 A 4/1956
 WO WO 07071150 A1 6/2007
 WO 17017596 A1 2/2017
 WO 17079315 A1 5/2017
 WO 17088278 A1 6/2017
 WO 17132598 A1 8/2017

OTHER PUBLICATIONS

Mar. 30, 2020—(CN) Office Action—App. No. 201810157521.6.
 Apr. 23, 2020—U.S. Final Office Action—U.S. Appl. No. 15/903,867.
 Reusable Shopping Bag, ADK Packworks™ The Packbasket™
 Reusable Shopping Bag, [retrieved Jun. 13, 2017], Date unknown
 but at least as early as Jun. 13, 2017.
 Frakta Shopping bag, <http://www.ikea.com/us/en/catalog/products/17228340/>, [retrieved Jun. 13, 2017], Date unknown but at least as
 early as Jun. 13, 2017.
 3Pcs Eco Friendly Large Capacity Reuseable Shopping bag, <http://www.dhgate.com/product/3pcs-eco-friendly-large-capacity-reuseable/395600522.html#s2-28-1;disc%7C2511216197>, [retrieved Jun. 13,
 2017], Date unknown but as early as Jun. 13, 2017.
 Wholesale Shopping Bag, <http://www.dhgate.com/product/2017-factory-wholesale-shopping-bags-polyester/394587619.html#s1-9-1;disc%7C3274647288>, [retrieved Jun. 13, 2017], Date unknown
 but as early as Jun. 13, 2017.
 Press Release—Portable Hopper 30 Cooler [online], [retrieved Jun.
 14, 2017], Retrieved from Internet <URL: <http://yeti.com/press-releases/hopper-30>>; 2 color sheets, Dated Jul. 9, 2014.
 Yeti Reinvents the Hopper [online], [retrieved Jun. 14, 2017],
 Retrieved from Internet <URL: <http://yeti.com/press-releases/hopper-two-soft-cooler>>; 2 color sheets, Dated Feb. 1, 2017.
 RTIC, “Large Beach Bag”, <<https://www.rticcoolers.com/shop/travel/Large-Beach-Bag-Sky-Blue>> [retrieved Dec. 26, 2018], Date unknown
 but at least as early as Dec. 26, 2018.
 RTIC, “RTIC Large Beach Bag” (<https://www.amazon.com/RTIC-Large-Beach-Bag/dp/B07FQYKF8Q?th=1>), first available online
 Jul. 20, 2018. (Year: 2018).
 Sep. 16, 2020—(CN) Rejection Decision—App. No. 201810157521.
 6.
 United States District Court Western District of Texas, Austin
 Division, “Complaint for Damage and Injunctive Relief tor: (1)-(12)
 Patent Infringement in Violation of 35 U.S.C. § 271; and (13)
 Breach of Contract”, *YETI Coolers, LLC v. RTIC Outdoors, LLC*;
 and Corporate Support & Fulfillment, LLC, Case 1:21-cv-00214,
 filed Mar. 5, 2021, 338 pages.
 United States District Court Southern District of Texas Houston
 Division, “Plaintiff YETI’s Complaint for Patent Infringement”,
YETI Coolers, LLC v. Igloo Products Corporation, Case 4:21-cv-
 00505, filed Feb. 12, 2021, 98 pages.

* cited by examiner

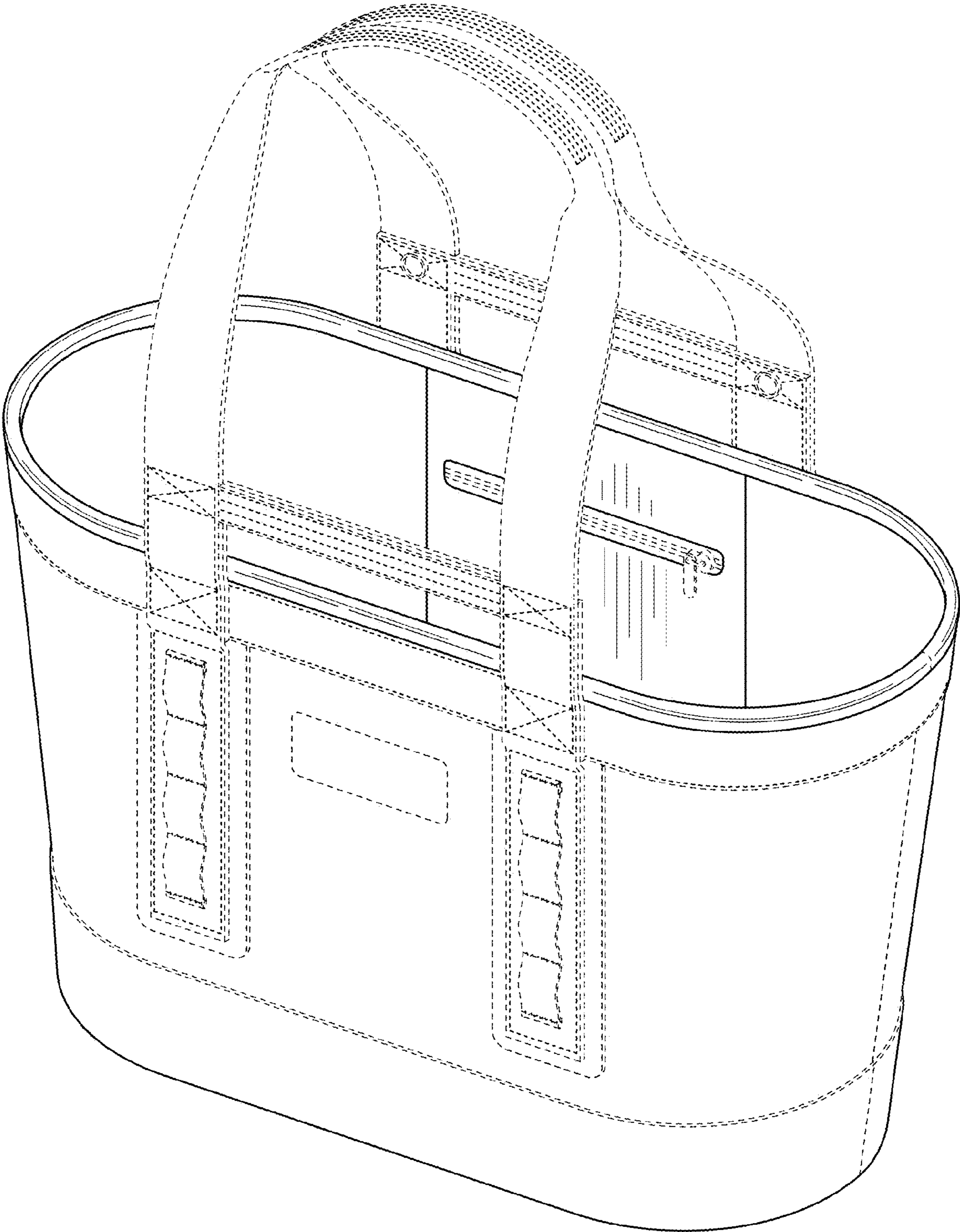


FIG. 1

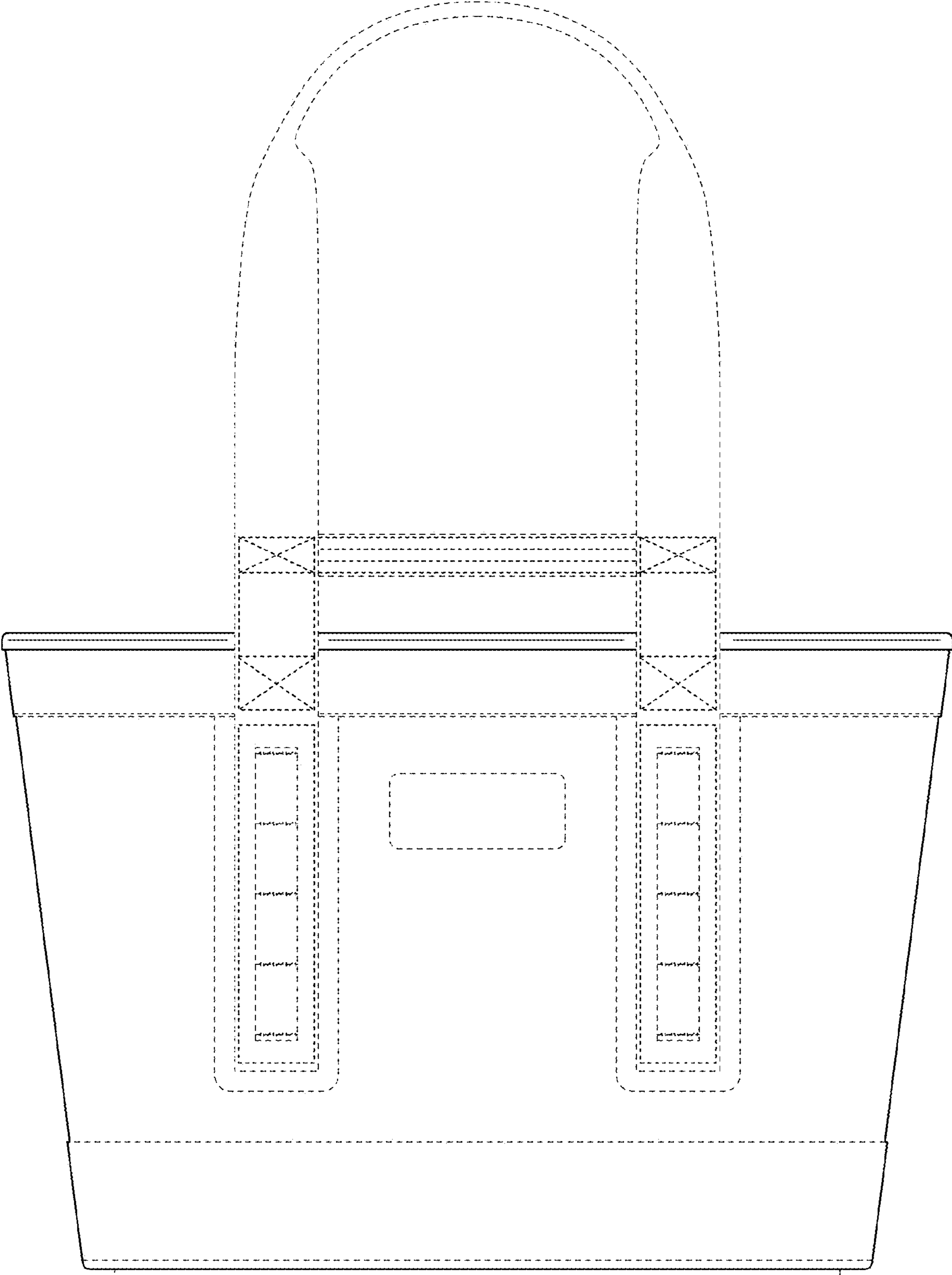


FIG. 2

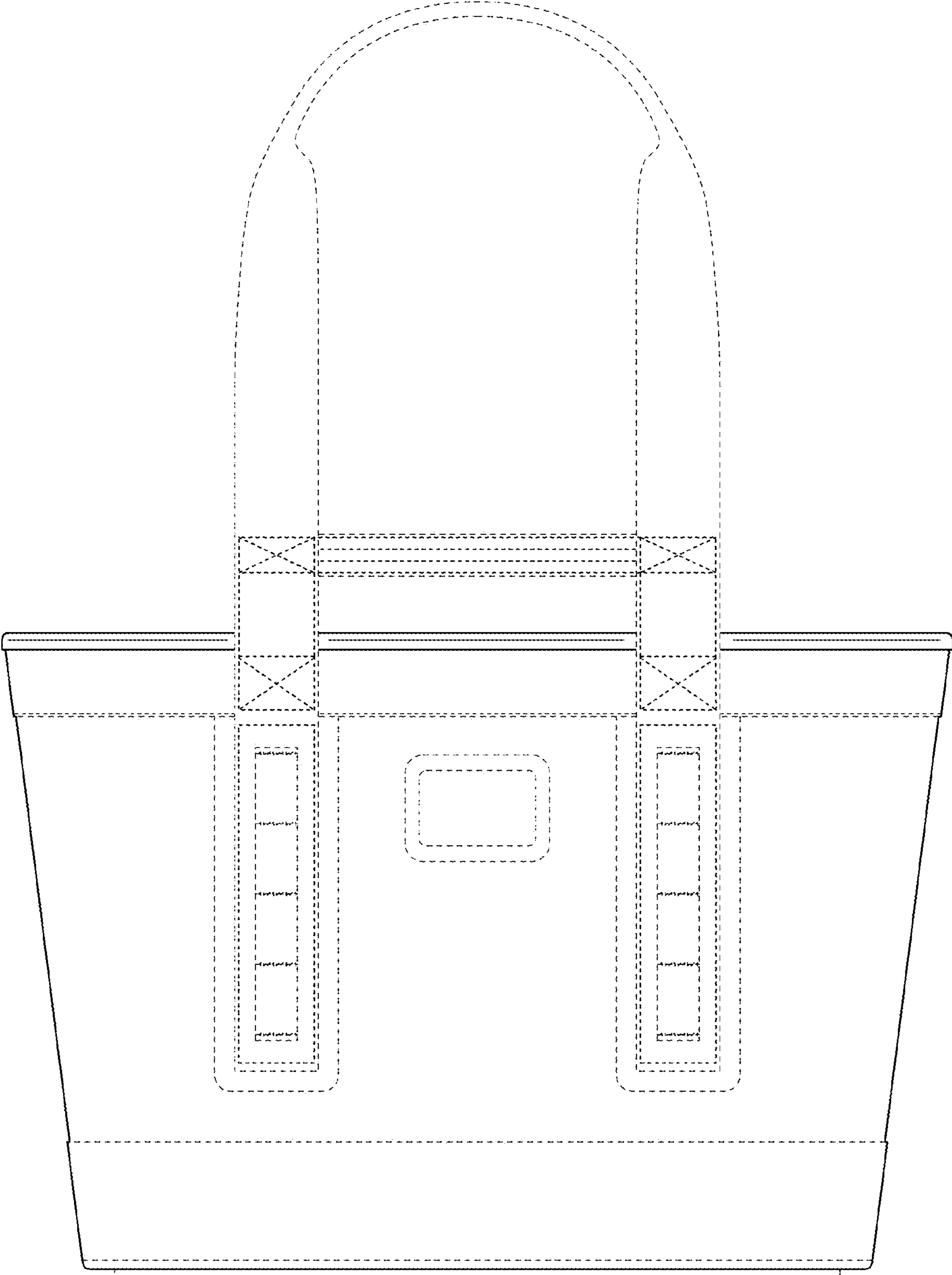


FIG. 3

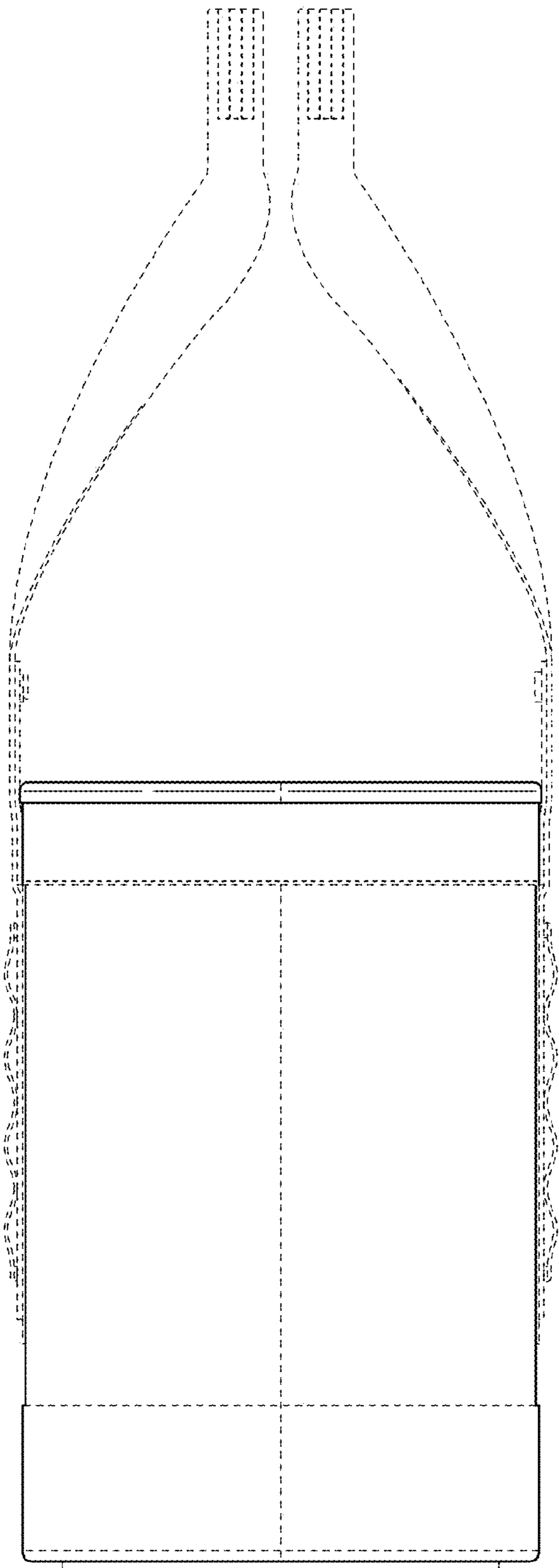


FIG. 4

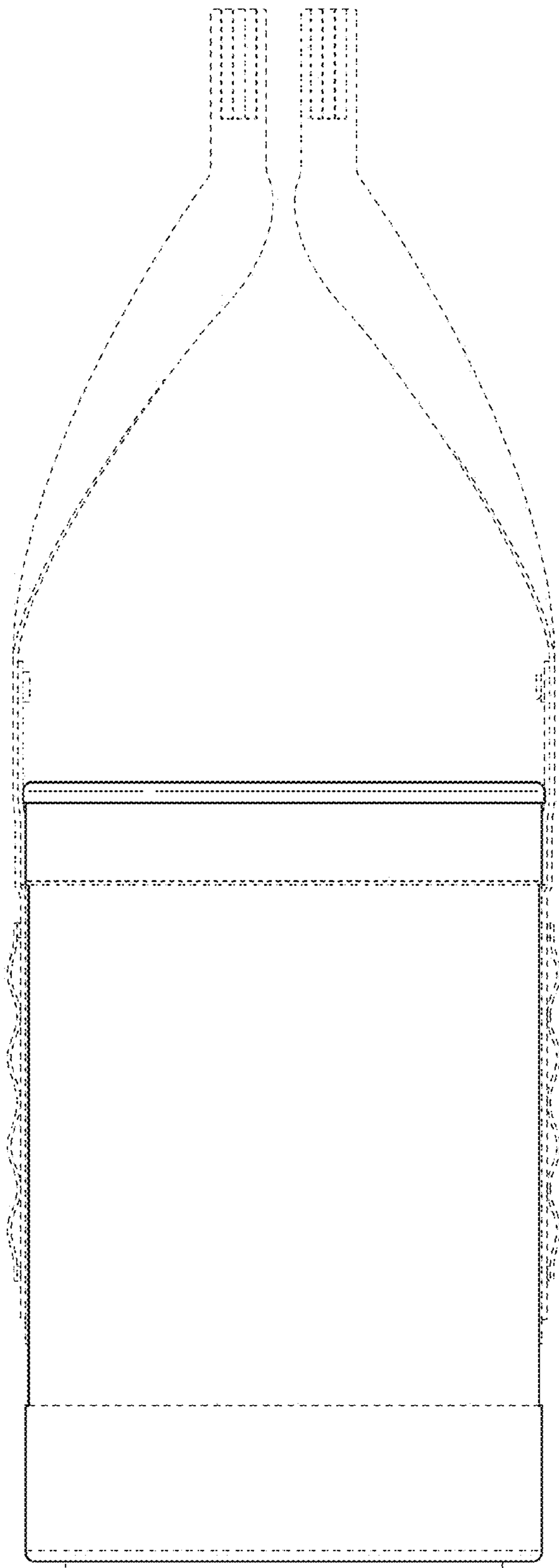


FIG. 5

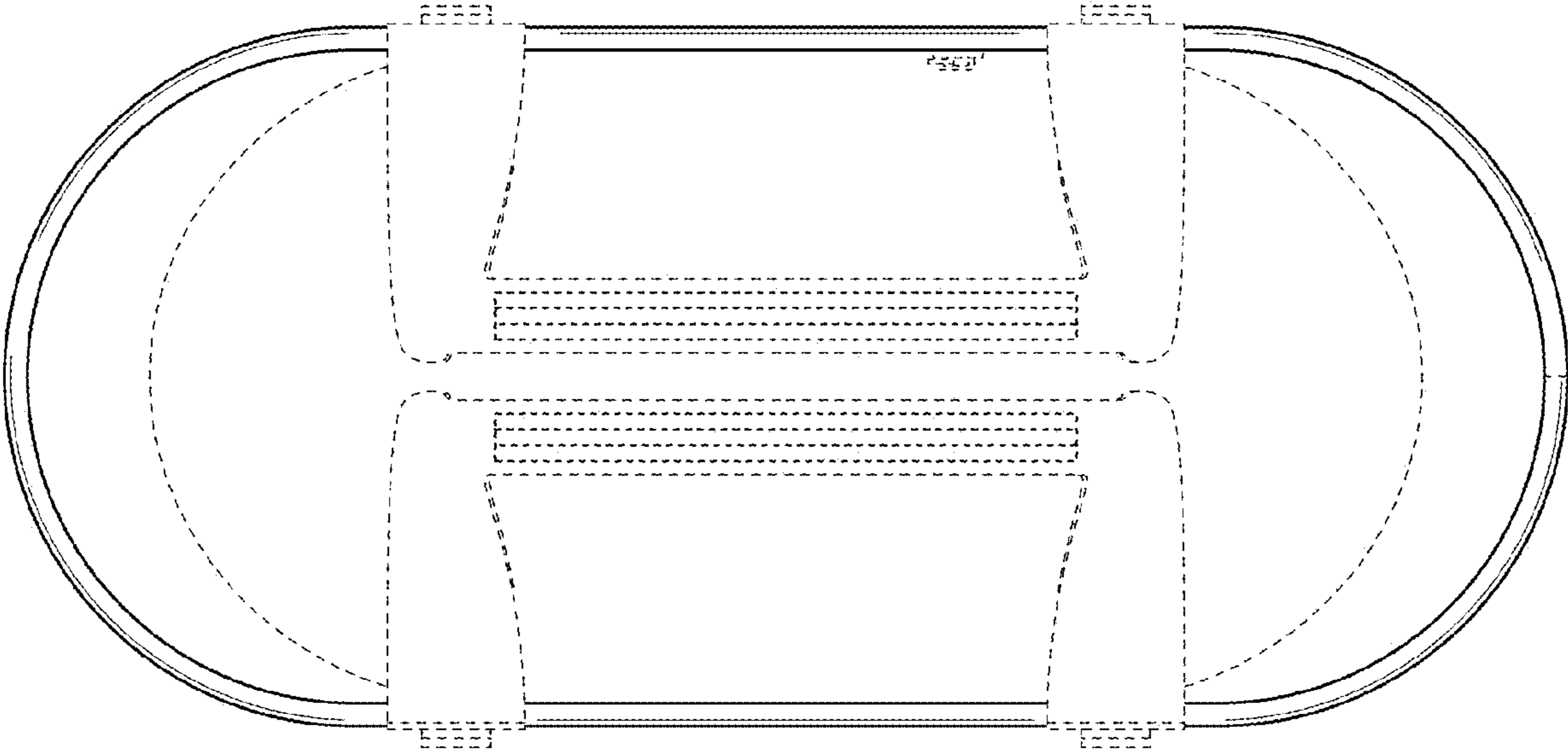


FIG. 6