



US00D920675S

(12) **United States Design Patent**
Shu

(10) **Patent No.:** **US D920,675 S**

(45) **Date of Patent:** **** Jun. 1, 2021**

(54) **STORAGE BOX**

(71) Applicant: **Shenzhen Prime Technology Co., Ltd,**
Shenzhen (CN)

(72) Inventor: **Hua Shu,** Shenzhen (CN)

(**) Term: **15 Years**

(21) Appl. No.: **29/750,556**

(22) Filed: **Sep. 15, 2020**

(51) **LOC (13) Cl.** **03-01**

(52) **U.S. Cl.**
USPC **D3/306**

(58) **Field of Classification Search**

USPC D6/663, 664, 704, 705; D7/500, 550.1,
D7/552.1, 554.3, 600.1; D3/304, 305,
D3/306, 307, 308, 309
CPC ... B65D 1/00; B65D 1/22; B65D 1/38; B65D
7/00; B65D 7/10; B65D 85/00; A47B
81/00; A47B 88/00; A47B 88/40; A47B
2088/401; A47B 2210/04; A47B 2210/05;
A47J 31/44; A47J 47/16

See application file for complete search history.

(56) **References Cited**

U.S. PATENT DOCUMENTS

1,413,908 A * 4/1922 Green F26B 25/18
34/69
D434,074 S * 11/2000 Hardy D19/75
D498,375 S * 11/2004 Post D3/306
D583,172 S * 12/2008 Cassel D3/297
D639,561 S * 6/2011 Hardy et al.
D644,069 S * 8/2011 Tiemann D7/600.4
D653,063 S * 1/2012 Post D6/705.6
D660,088 S * 5/2012 Tiemann D7/600.1
D660,652 S * 5/2012 Tiemann D7/600.1
D661,951 S * 6/2012 Tiemann D7/600.1
D673,369 S * 1/2013 Post D3/306
D674,213 S * 1/2013 Hertaus D6/663

D676,715 S * 2/2013 Tsai D7/600.1
D681,953 S * 5/2013 Scott
D692,265 S * 10/2013 Hertaus D6/705.6
D692,668 S * 11/2013 Hu D3/306
D693,606 S * 11/2013 Hertaus D6/671.1
D701,733 S * 4/2014 Tiemann D7/600.1
D703,002 S * 4/2014 Tiemann D7/600.1
D708,908 S * 7/2014 Tiemann D7/600.1
D708,909 S * 7/2014 Tiemann D7/600.1
D722,831 S * 2/2015 Tuang D7/600.1
D755,574 S * 5/2016 Lee D7/600.1
D759,976 S * 6/2016 Hardy D3/306
D764,236 S * 8/2016 Hertaus D7/600.1
D778,647 S * 2/2017 Snider D6/705.6
2014/0091695 A1 * 4/2014 Sabounjian A47J 47/16
312/348.3
2014/0097120 A1 * 4/2014 Sabounjian A47J 31/44
206/565
2017/0086582 A1 * 3/2017 Fu A47B 95/02

* cited by examiner

Primary Examiner — Kelley A Donnelly
(74) *Attorney, Agent, or Firm* — W&K IP

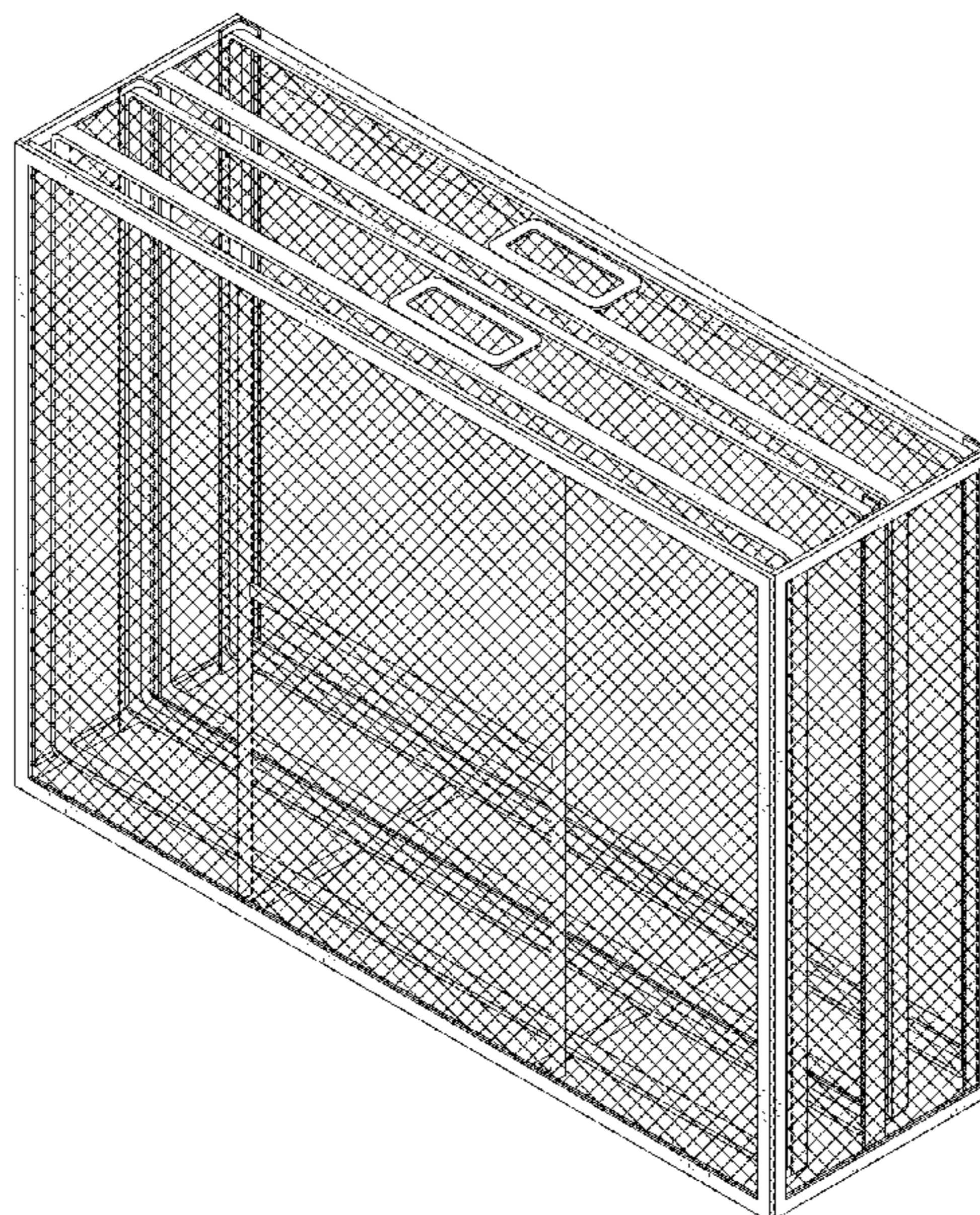
(57) **CLAIM**

The ornamental design for a storage box, as shown and described.

DESCRIPTION

FIG. 1 is a perspective view of a storage box showing my new design;
FIG. 2 is an open state view thereof
FIG. 3 is a front view thereof;
FIG. 4 is a rear view thereof;
FIG. 5 is a left side view thereof;
FIG. 6 is a right side view thereof;
FIG. 7 is a top plan view thereof; and,
FIG. 8 is a bottom plan view thereof.
The broken lines depict portions of the storage box for hearing aid that form no part of the claimed design.

1 Claim, 8 Drawing Sheets



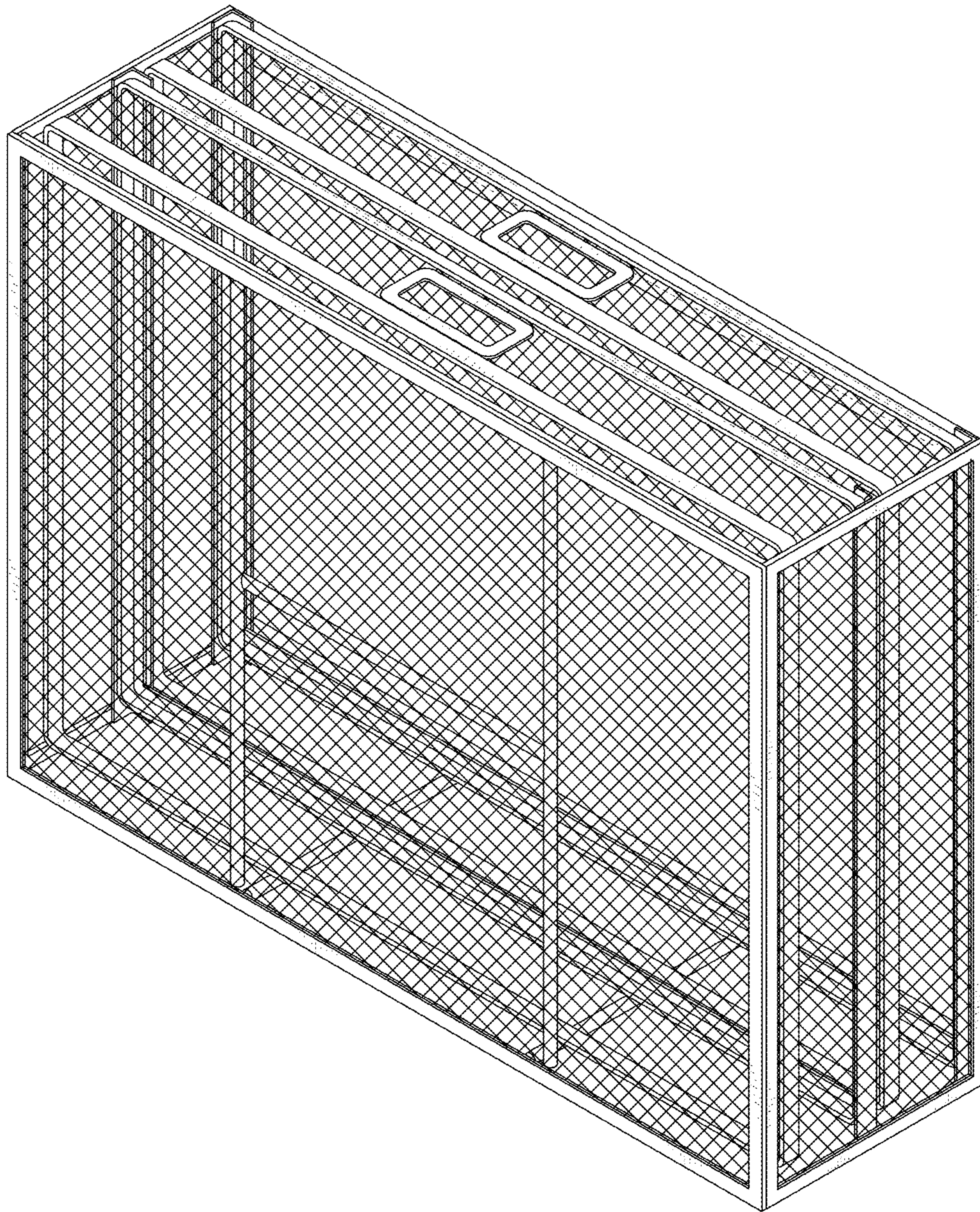


FIG.1

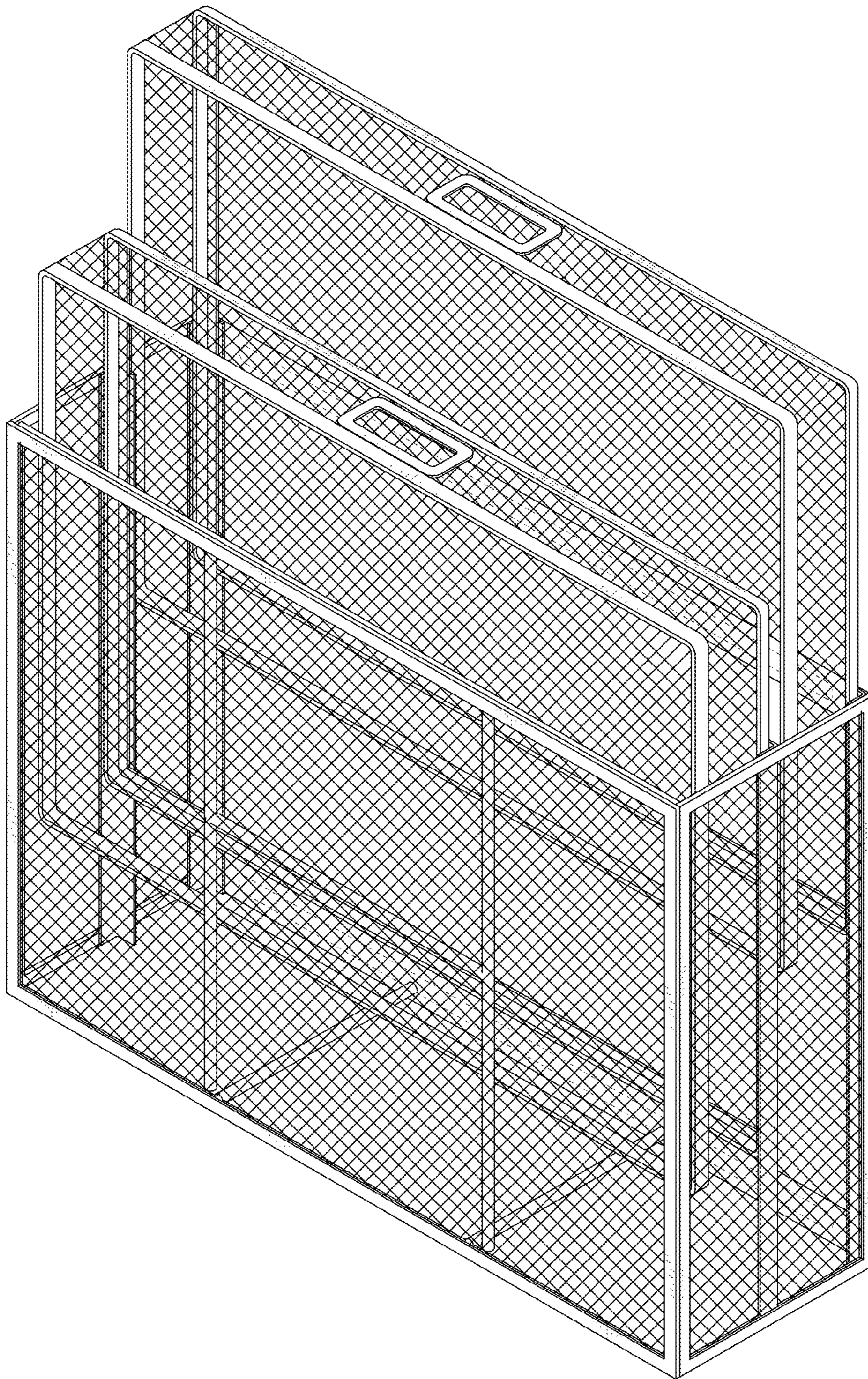


FIG. 2

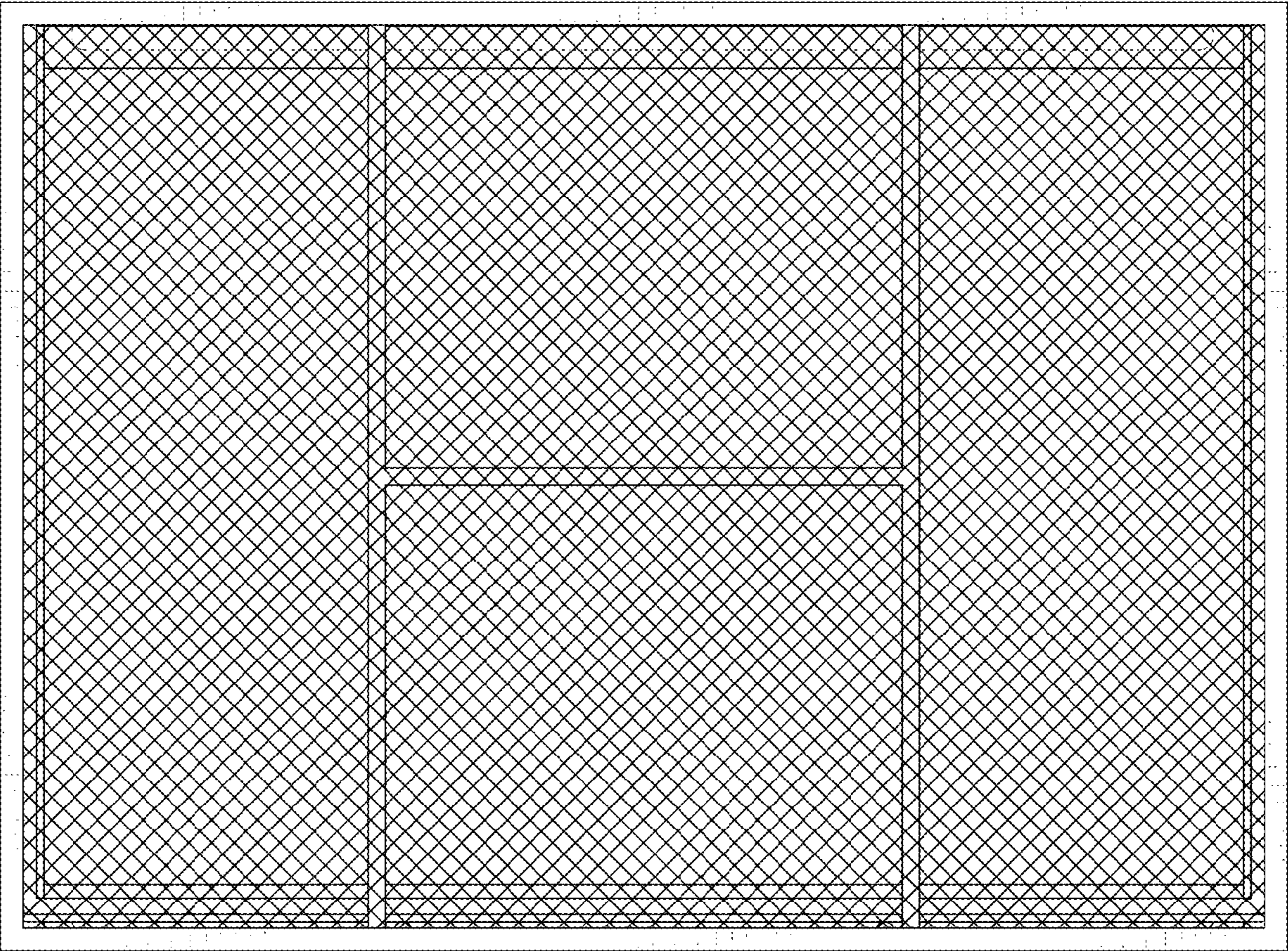


FIG. 3

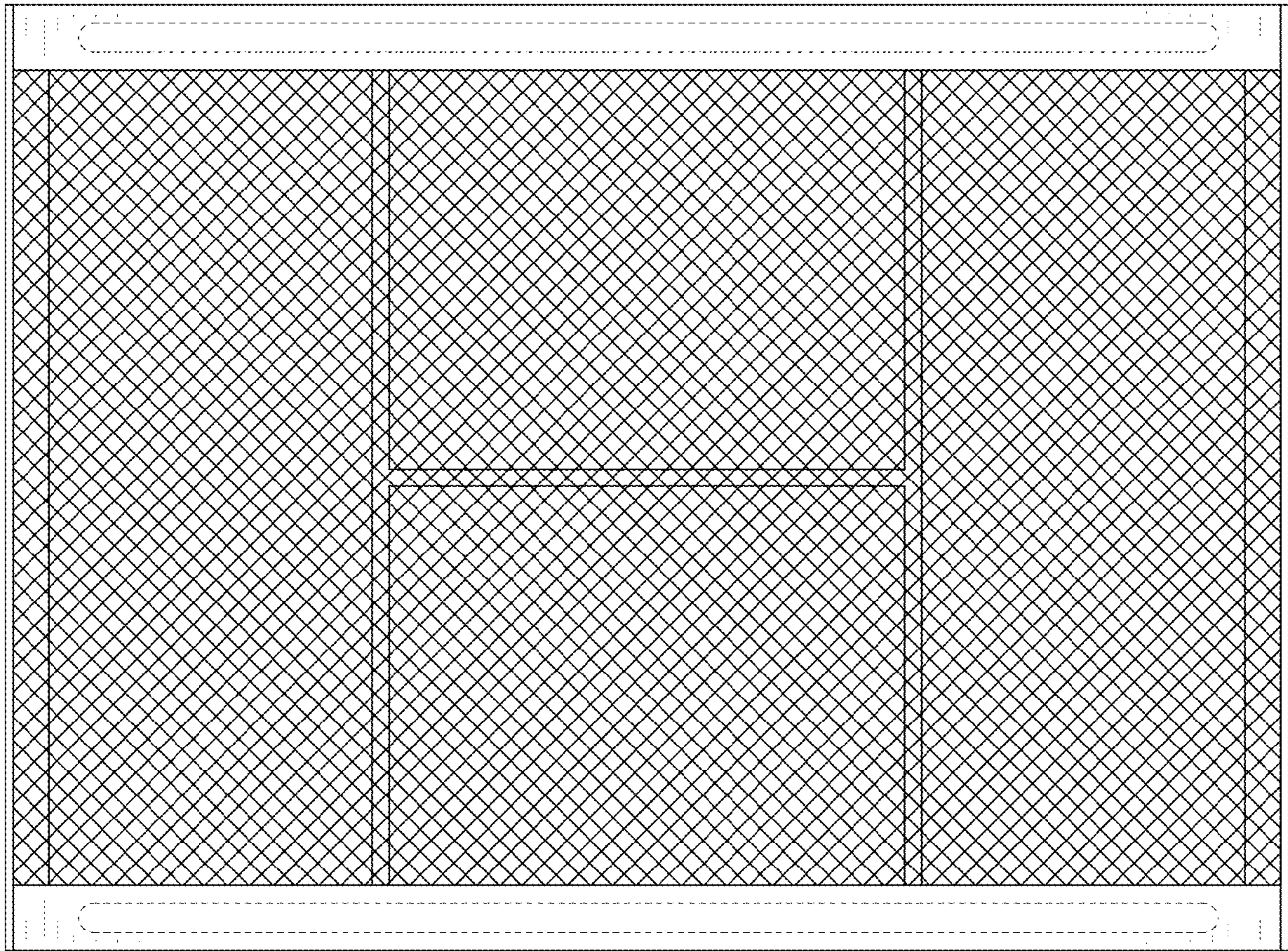


FIG. 4

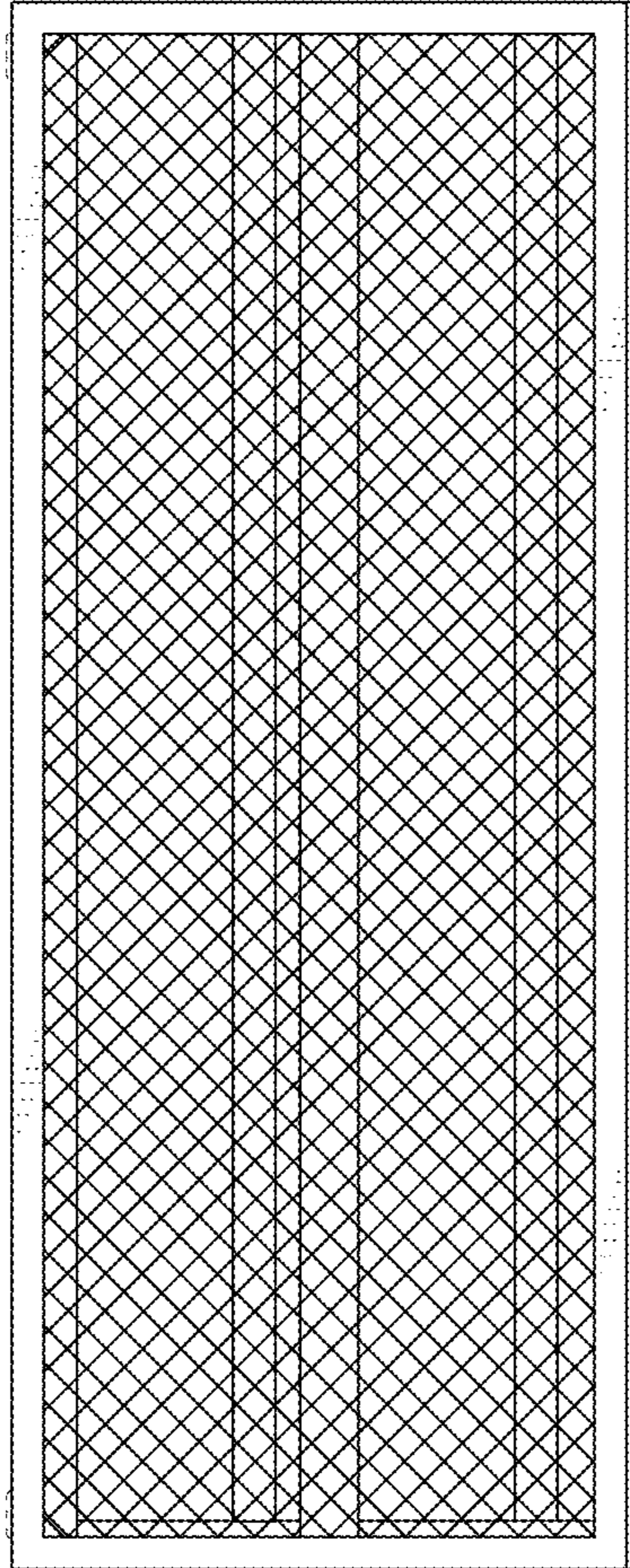


FIG. 5

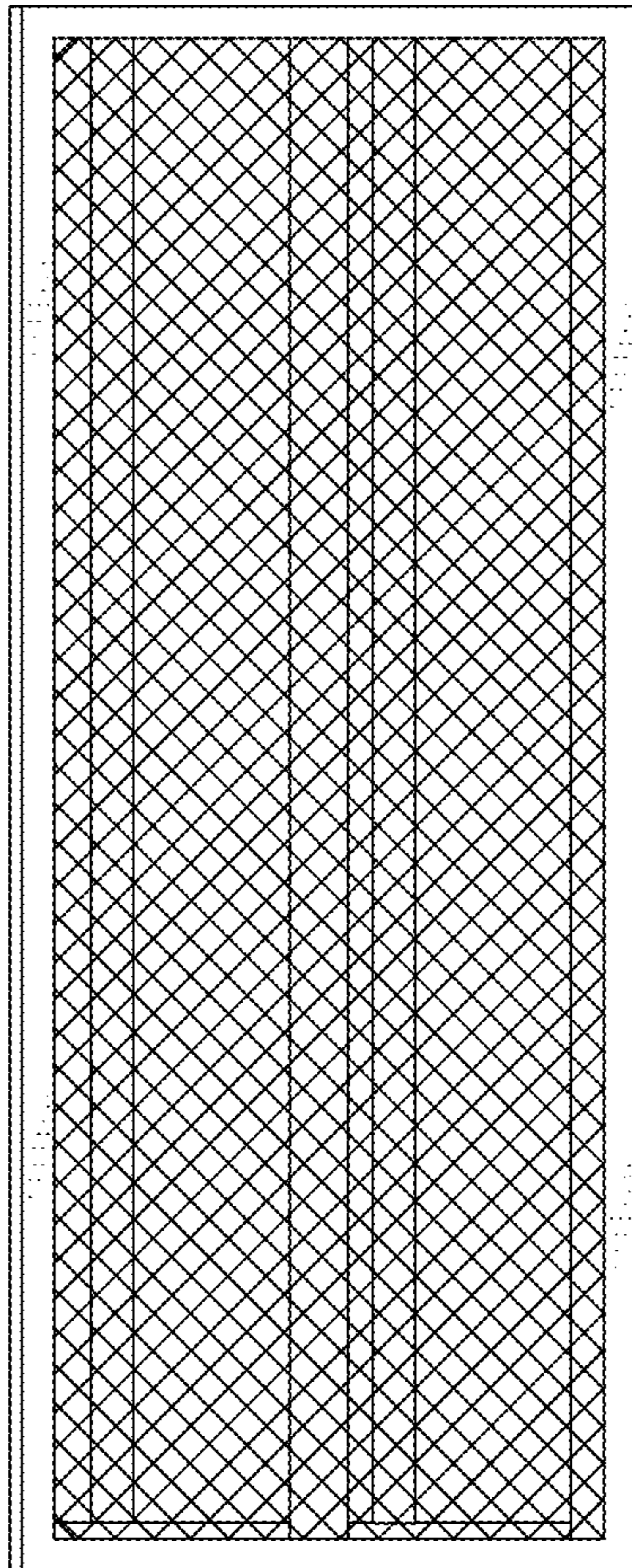


FIG. 6

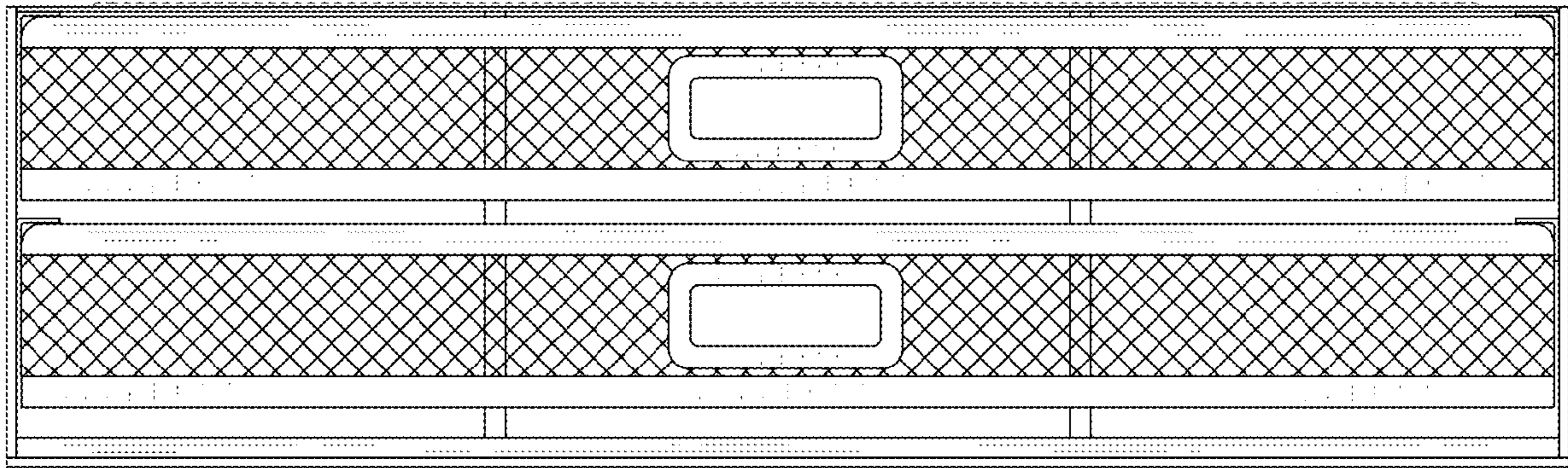


FIG. 7

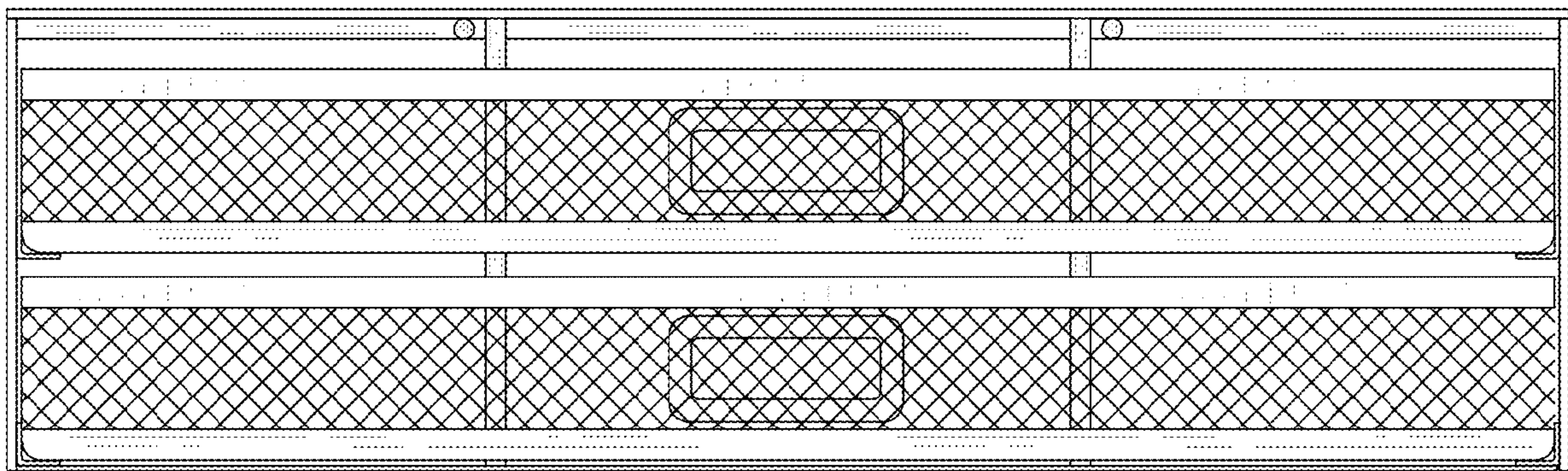


FIG. 8