



US00D920674S

(12) **United States Design Patent**
Ormsbee et al.

(10) **Patent No.:** **US D920,674 S**
(45) **Date of Patent:** **** Jun. 1, 2021**

- (54) **WATERPROOF TABLET CASE**
- (71) Applicant: **Nite Ize, Inc.**, Boulder, CO (US)
- (72) Inventors: **Bowden Ormsbee**, Longmont, CO (US); **Dale Karacostas**, Boulder, CO (US)
- (73) Assignee: **Nite Ize, Inc.**, Boulder, CO (US)
- (**) Term: **15 Years**
- (21) Appl. No.: **29/713,257**
- (22) Filed: **Nov. 14, 2019**
- (51) **LOC (13) Cl.** **03-01**
- (52) **U.S. Cl.**
USPC **D3/303; D14/440**
- (58) **Field of Classification Search**
USPC D14/217, 238.1, 240, 248, 250, 251–253, D14/439, 440, 447; D13/107–108, 103, D13/119; D3/201, 218, 247, 269, 273, D3/301, 303
CPC H04B 1/3888; H04M 1/0283; H04M 1/0202; A45C 1/06; A45C 11/00; A45C 13/02; A45C 2011/002; A45F 2005/026; A45F 2200/0525; A45F 2200/0516
See application file for complete search history.

(56) **References Cited**

U.S. PATENT DOCUMENTS

- 5,584,424 A * 12/1996 Stava A45F 3/00 224/240
- D435,965 S * 1/2001 Kim A45C 1/06 D3/247
- 6,494,323 B1 * 12/2002 Chalmers A45C 11/00 206/350
- 6,837,346 B2 * 1/2005 Hollingsworth A45C 3/02 150/112
- D671,738 S * 12/2012 Hargens D3/226
- 8,483,786 B2 * 7/2013 Ramies A45C 11/00 455/575.8

- 8,622,205 B2 * 1/2014 Ramsey A45C 13/02 206/38
 - 8,720,752 B2 * 5/2014 Huang B25G 3/36 224/218
 - D716,045 S * 10/2014 Requa D3/249
- (Continued)

OTHER PUBLICATIONS

“Nite Ize Runoff Waterproof Tablet Case with Lanyard, IP67 Zipper Waterproof Case [. . .]” [online]. Nite Ize. [Date first available Jan. 10, 2020], Retrieved from the Internet: <<https://www.amazon.com/dp/B082YSRFTT>>.*

(Continued)

Primary Examiner — Mojtaba Tehrani

(74) *Attorney, Agent, or Firm* — Haynes and Boone, LLP

(57) **CLAIM**

The ornamental design for a waterproof tablet case, as shown and described.

DESCRIPTION

FIG. 1 shows a front perspective view of a waterproof tablet case;

FIG. 2 shows a front view of the waterproof tablet case of FIG. 1;

FIG. 3 shows a rear view of the waterproof tablet case of FIG. 1;

FIG. 4 shows a left side view of the waterproof tablet case of FIG. 1;

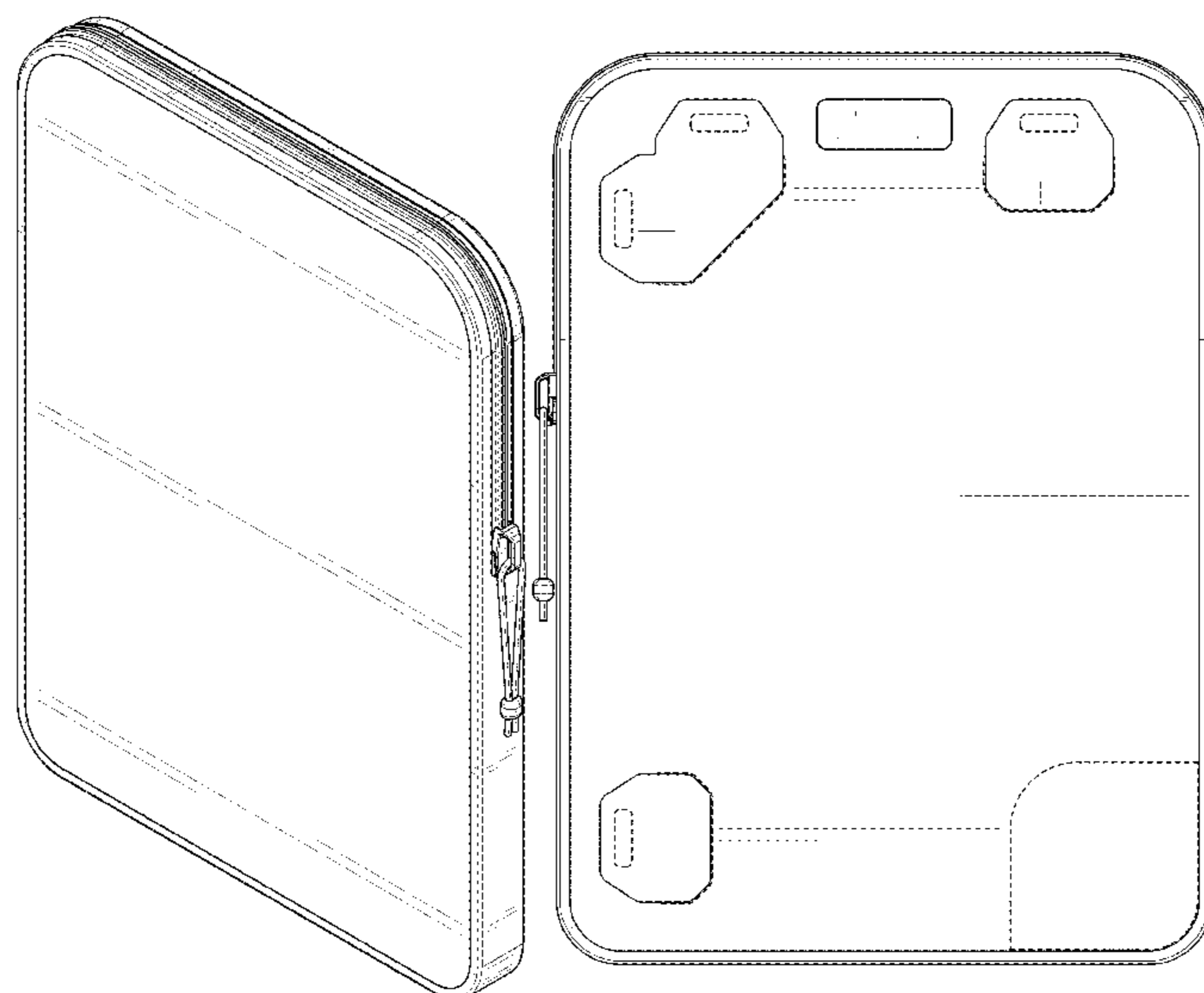
FIG. 5 shows a right side view of the waterproof tablet case of FIG. 1;

FIG. 6 shows a top view of the waterproof tablet case of FIG. 1; and,

FIG. 7 shows a bottom view of the waterproof tablet case of FIG. 1.

The broken lines in the drawings depict unclaimed portions of the waterproof tablet case and form no part of the claimed design.

1 Claim, 5 Drawing Sheets



(56)

References Cited

U.S. PATENT DOCUMENTS

8,925,721 B2 * 1/2015 Young A45C 11/00
206/320
D729,223 S * 5/2015 Haarburger D14/253
9,056,696 B1 * 6/2015 Reyes G06F 1/1628
D829,202 S * 9/2018 Ma D14/250
D849,400 S * 5/2019 Wang D3/249
D855,995 S * 8/2019 Case D3/323
D880,860 S * 4/2020 Liu D3/303
D893,872 S * 8/2020 Vieyra D3/303

OTHER PUBLICATIONS

“Nite Ize RunOff Quick Look Review | Waterproof Wallet, Packing Cubes, Toiletry Bag, Pouch & Pocket” [online]. Pack Hacker. [Published on Aug. 2, 2019], Retrieved from the Internet: <<https://www.youtube.com/watch?v=N56RslJCCHo>>.*

* cited by examiner

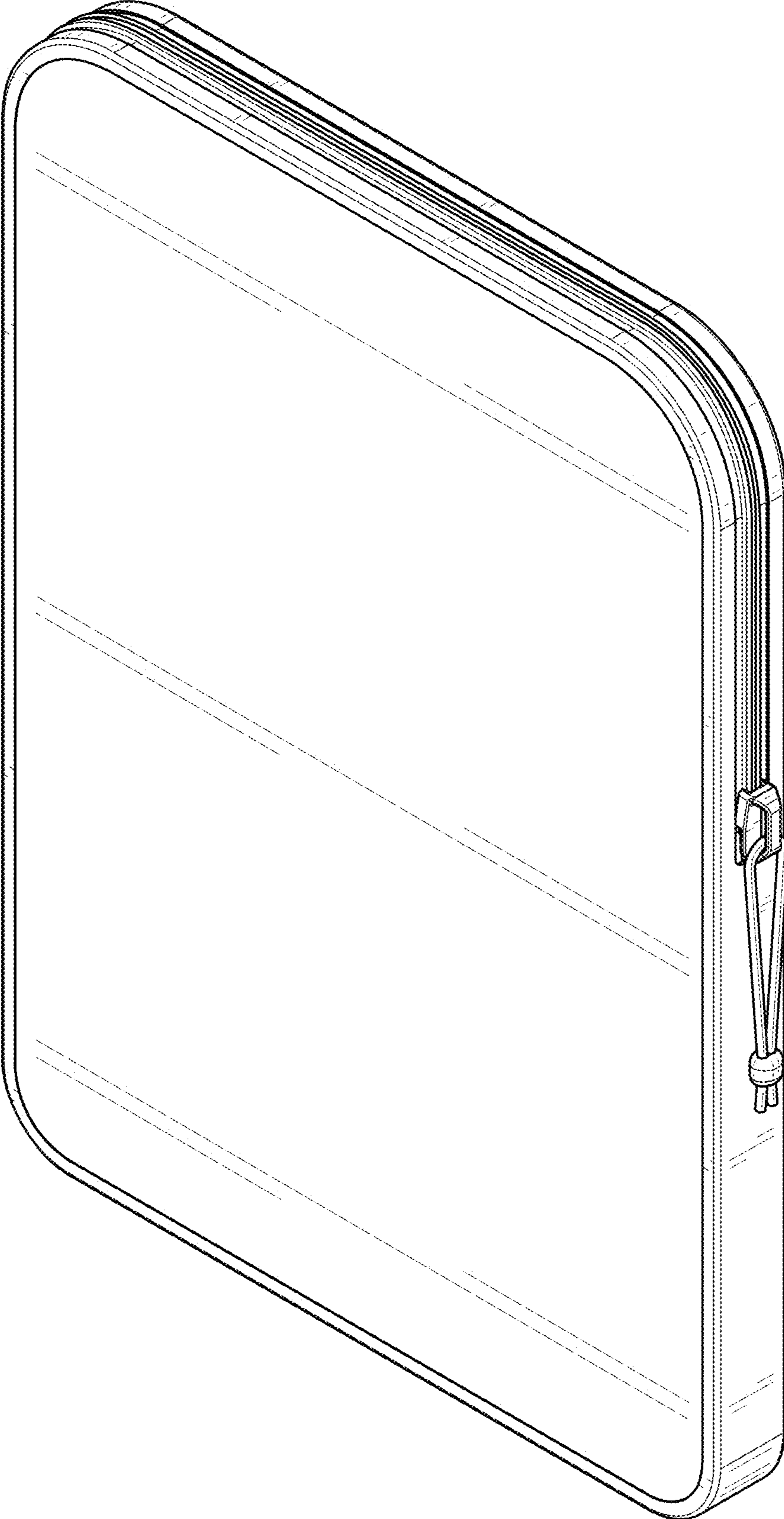


FIG. 1

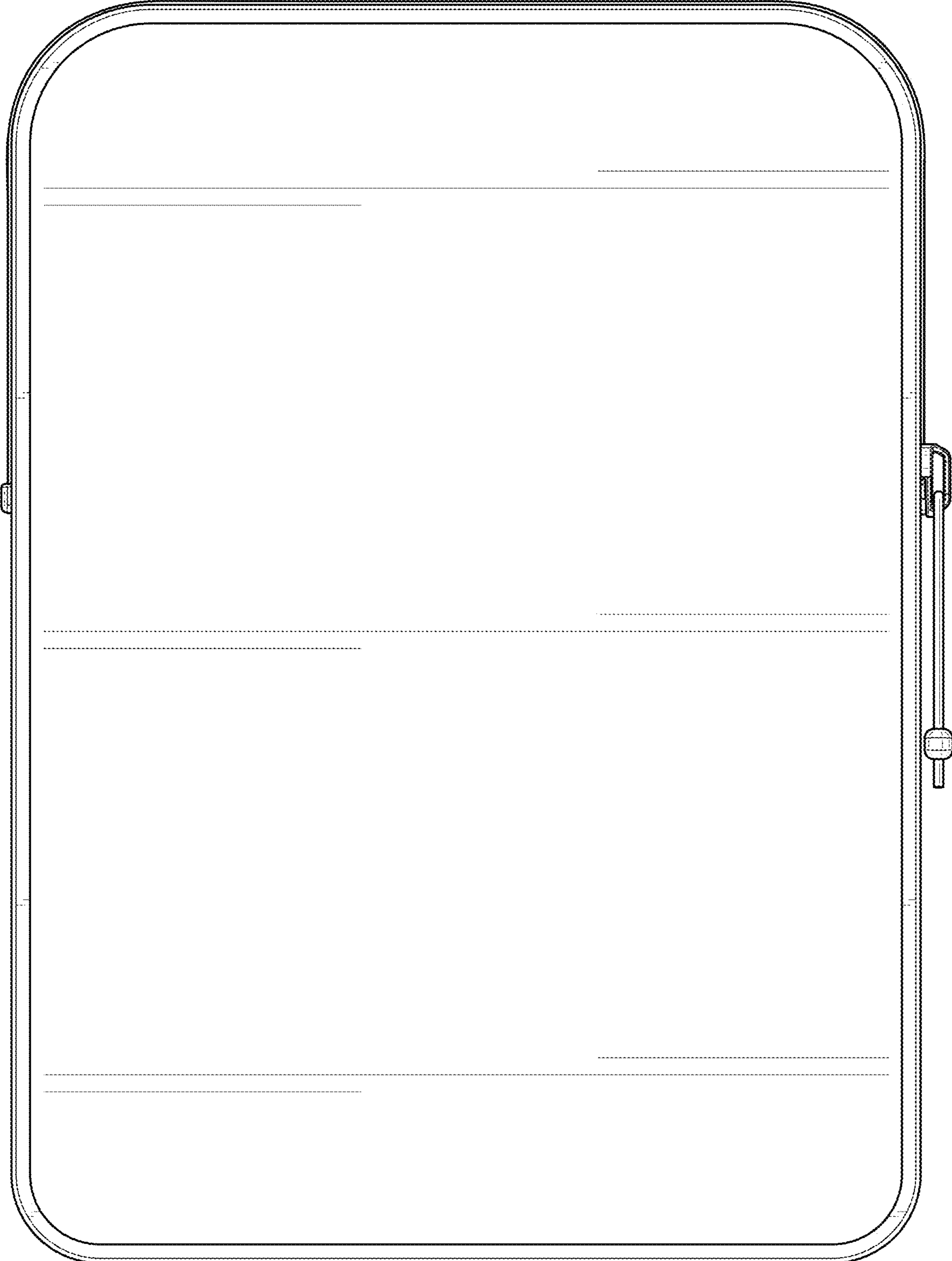


FIG. 2

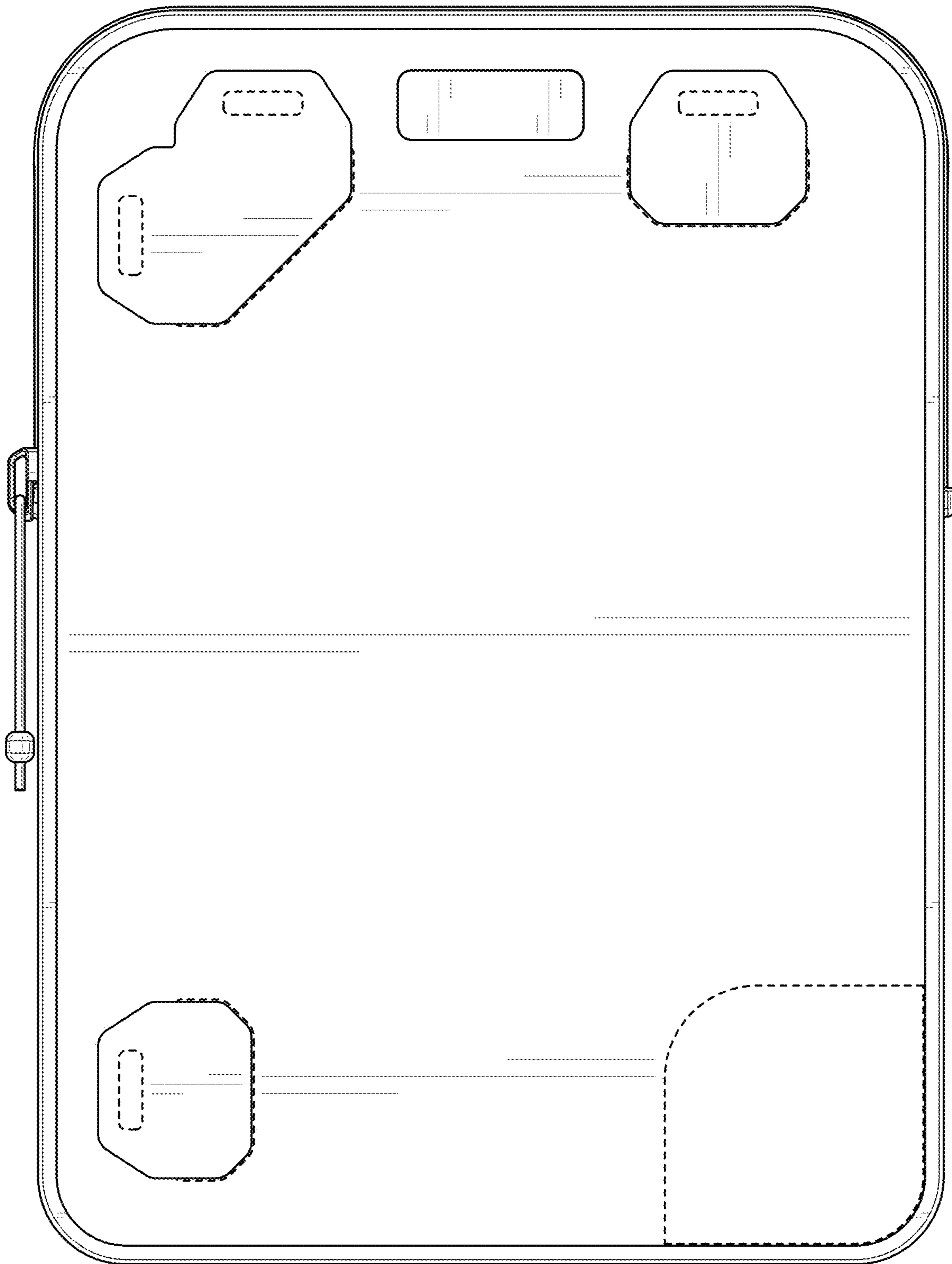


FIG. 3

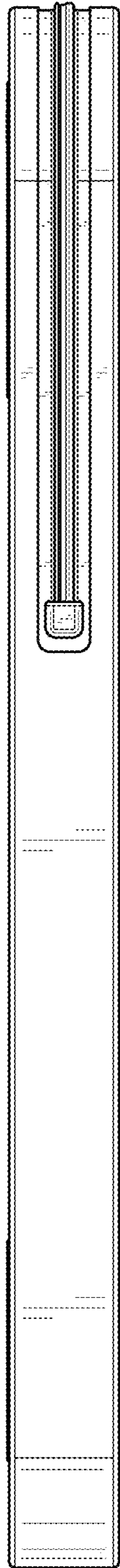


FIG. 4

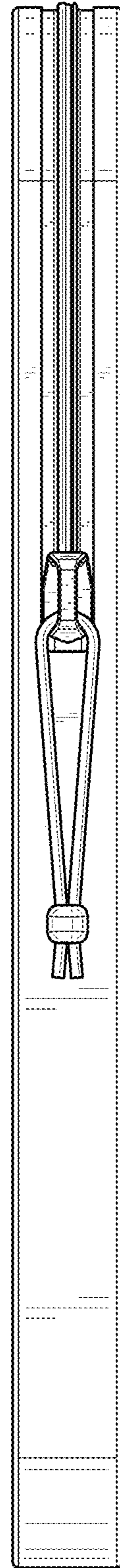


FIG. 5

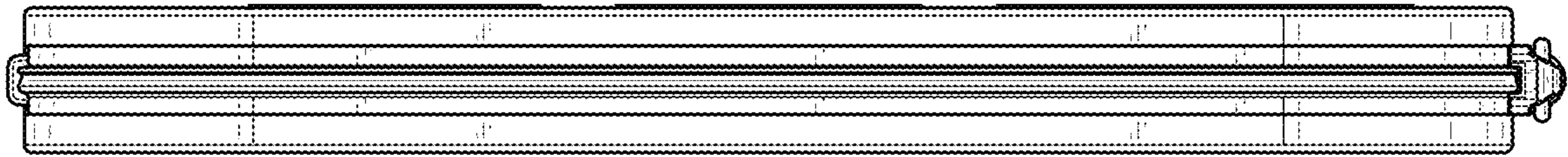


FIG. 6



FIG. 7