



US00D920670S

(12) **United States Design Patent** (10) **Patent No.:** **US D920,670 S**
Ritzberger et al. (45) **Date of Patent:** **** Jun. 1, 2021**

(54) **CONTAINER WITH LID**
 (71) Applicant: **Georg Utz Holding AG**, Bremgarten (CH)
 (72) Inventors: **Axel Ritzberger**, Altendorf (CH); **Rainer Grether**, Bettwil (CH); **Kilian Bachmann**, Dottingen (CH)
 (**) Term: **15 Years**

D328,425 S *	8/1992	Brightbill	D3/282
D356,256 S *	3/1995	Romanoff	D3/282
D382,112 S *	8/1997	Egan	D3/273
D408,142 S *	4/1999	Song	D3/282
D414,606 S *	10/1999	Sun	D3/276
D442,779 S *	5/2001	Koefeld	D3/273
D572,903 S *	7/2008	McNamara	D3/282
D582,482 S *	12/2008	Schenker	D19/86
D759,972 S *	6/2016	Duvigneau	D3/281
D848,148 S *	5/2019	Li	D3/282
D878,047 S *	3/2020	Shafir	D3/282
D879,471 S *	3/2020	Nelson	D3/282

(21) Appl. No.: **35/509,167**

* cited by examiner

(22) Filed: **Mar. 18, 2020**

Primary Examiner — Holly E Thurman

(80) **Hague Agreement Data**

Int. Filing Date: **Mar. 18, 2020**
 Int. Reg. No.: **DM/207183**
 Int. Reg. Date: **Mar. 18, 2020**
 Int. Reg. Pub. Date: **Apr. 24, 2020**

(57) **CLAIM**

The ornamental design for a container with lid, as shown and described.

(51) **LOC (13) Cl.** **03-01**

(52) **U.S. Cl.**
USPC **D3/282**

DESCRIPTION

(58) **Field of Classification Search**
 USPC D3/273, 274, 275, 276, 281, 282, 283, D3/284, 292, 294, 295, 296, 302, 905, D3/900, 901, 903, 205
 CPC A45C 5/04; A45C 11/00; A45C 11/16; A45C 15/04
 See application file for complete search history.

- 1. Container with lid
- 1.1 : Perspective
- 1.2 : Top
- 1.3 : Right
- 1.4 : Front
- 1.5 : Bottom
- 1.6 : Left
- 1.7 : Back

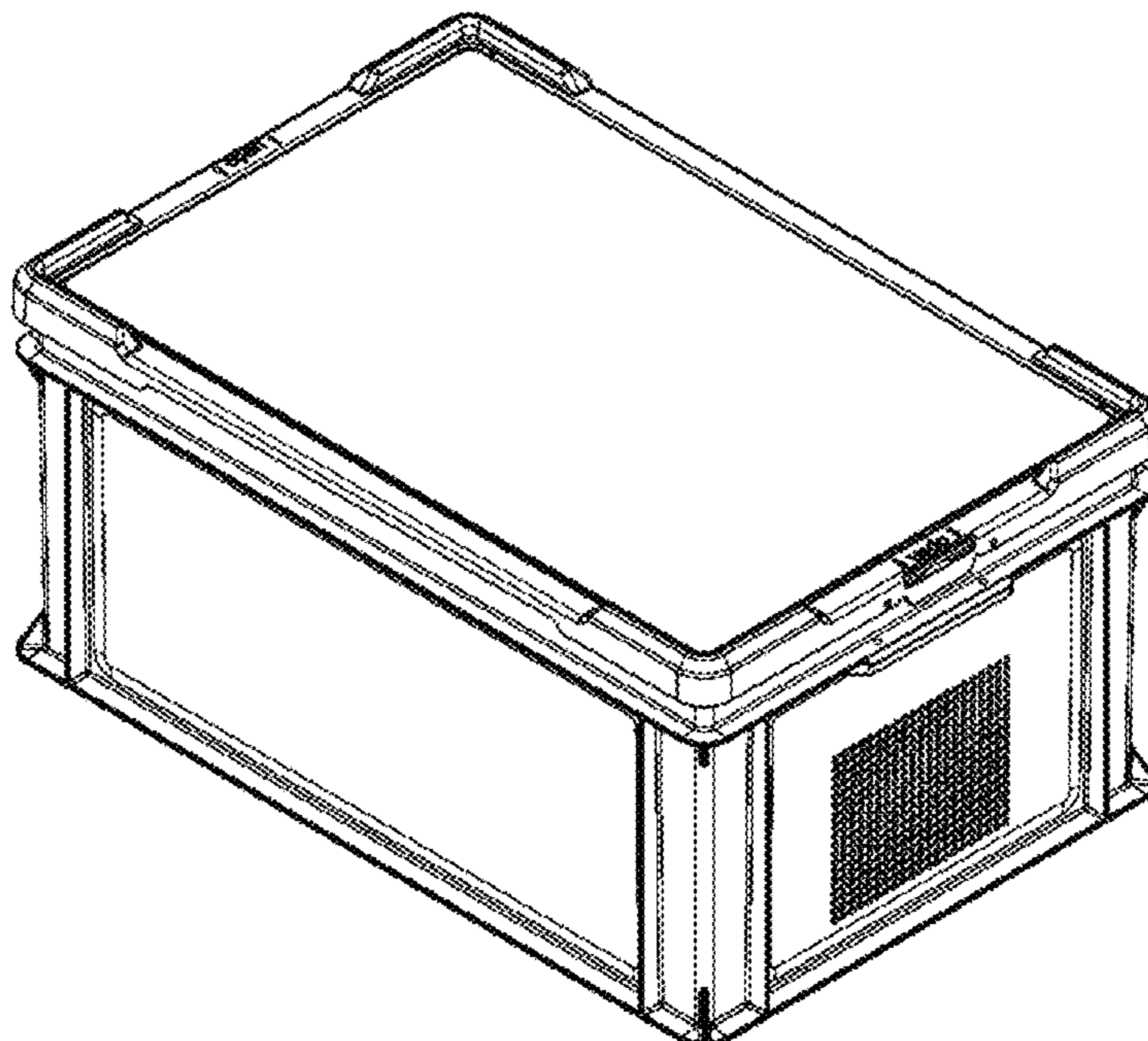
Container with lid as shown in the figures 1.1-1.7.

(56) **References Cited**

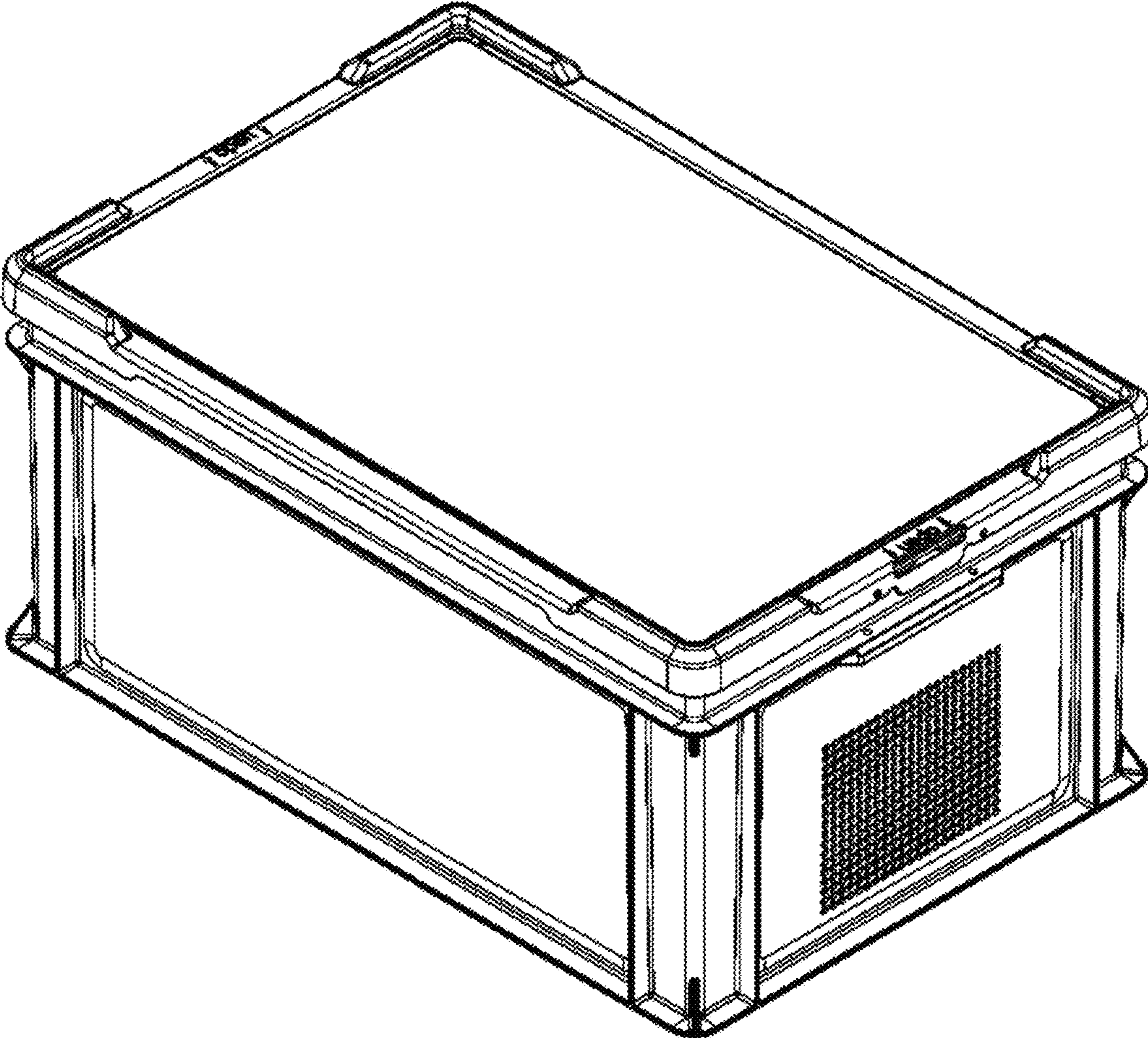
U.S. PATENT DOCUMENTS

4,819,795 A * 4/1989 Swaney B65D 21/0222
 206/278
 D302,774 S * 8/1989 Murphy D7/629

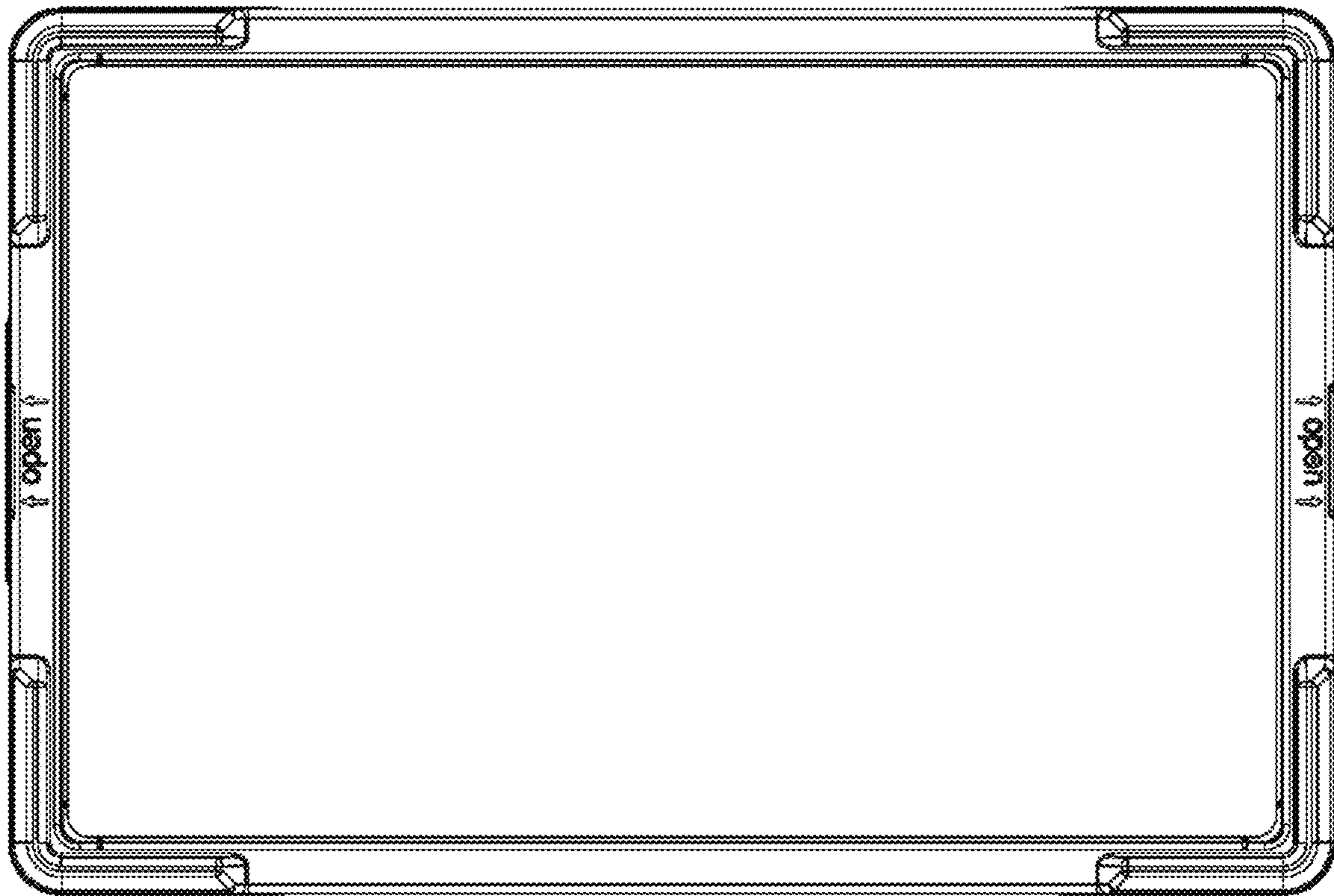
1 Claim, 7 Drawing Sheets



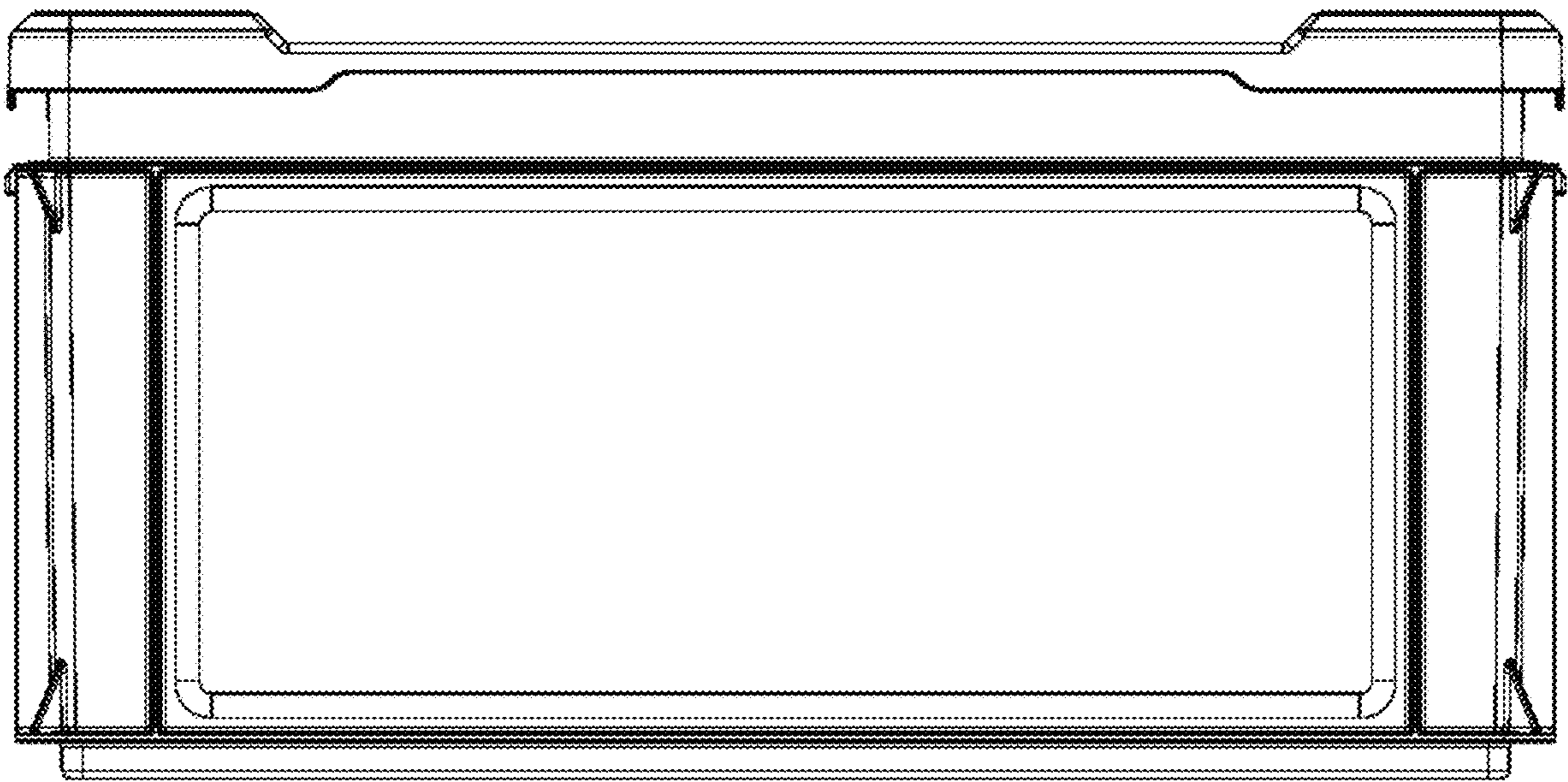
1.1



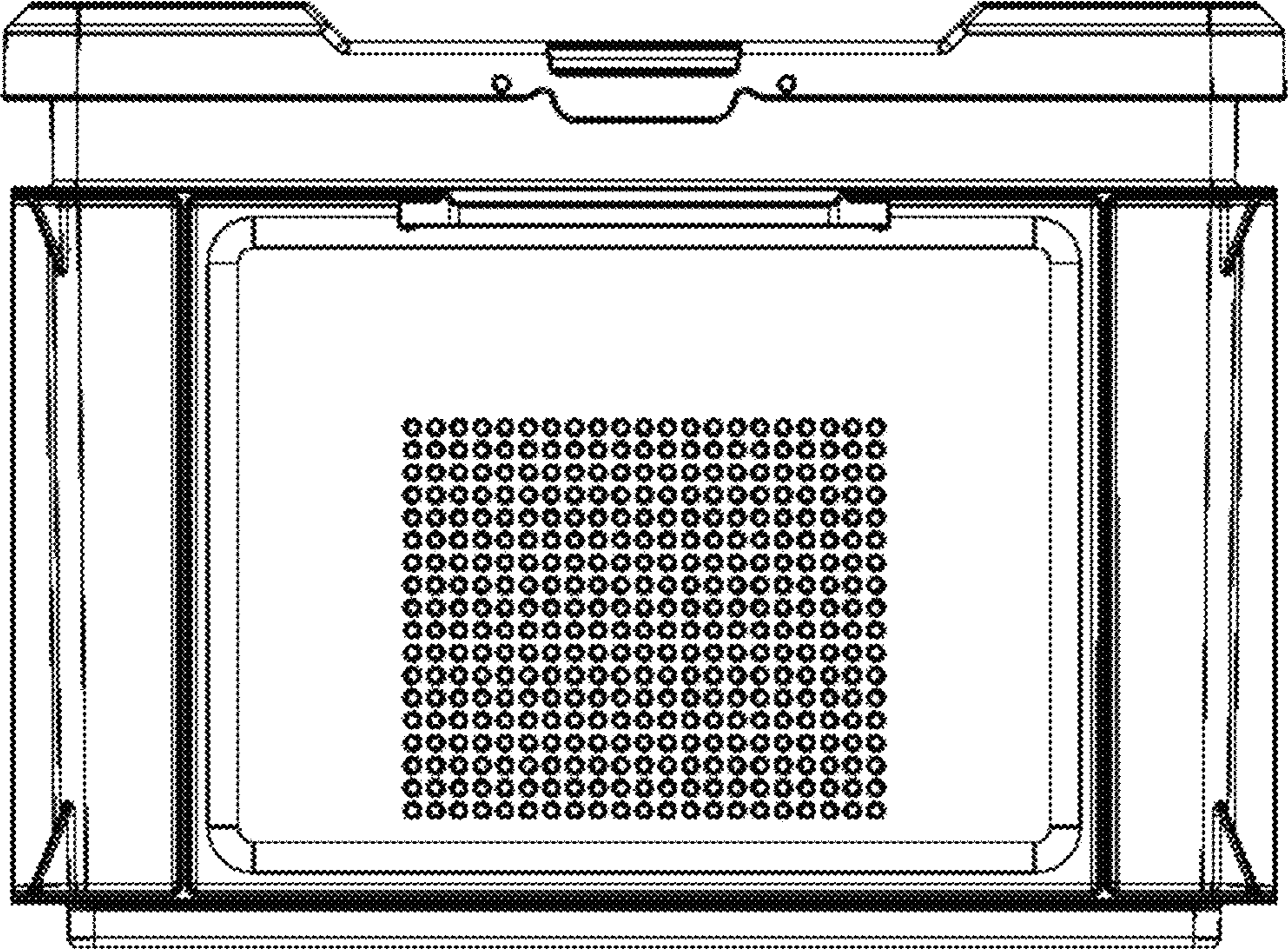
1.2



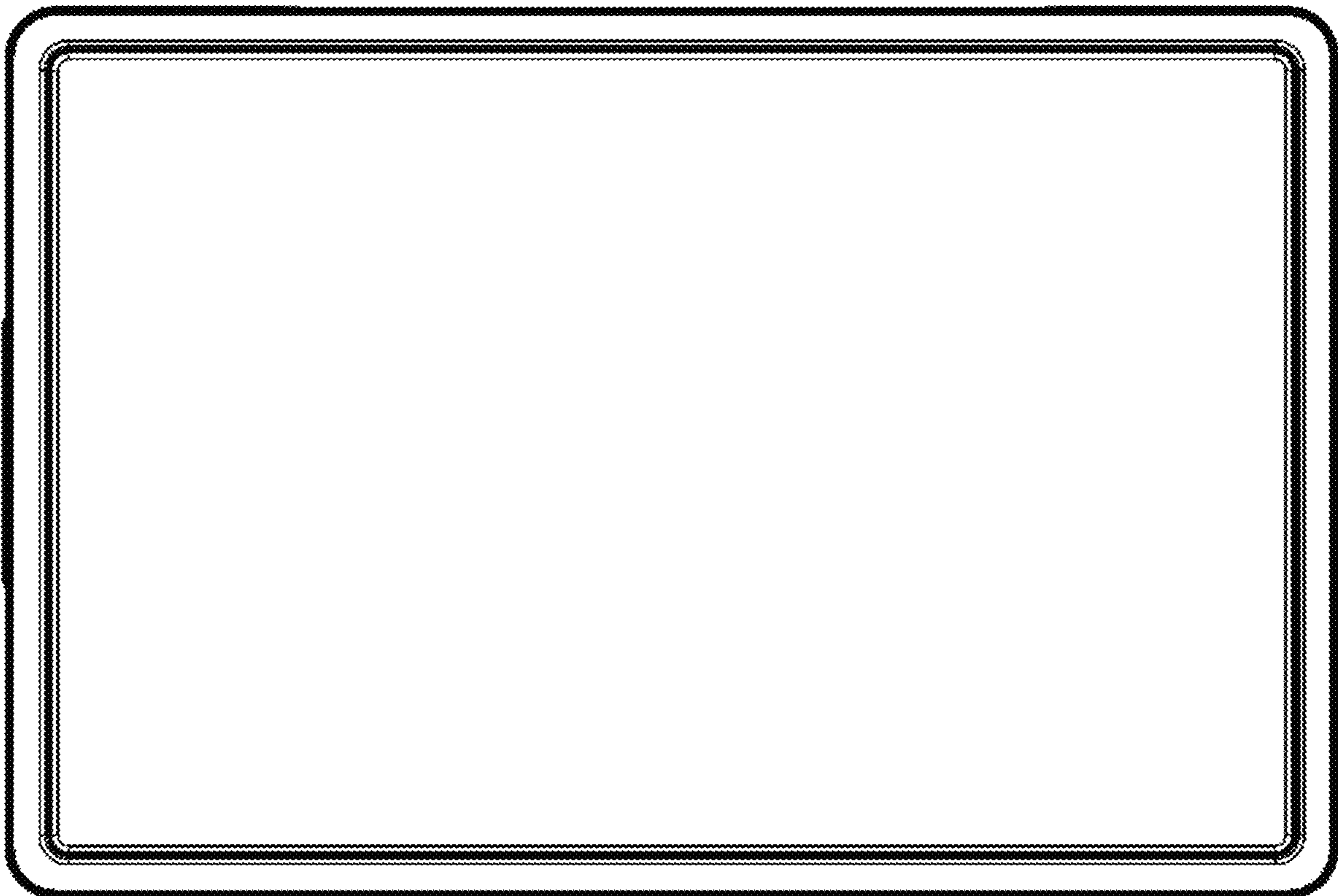
1.3



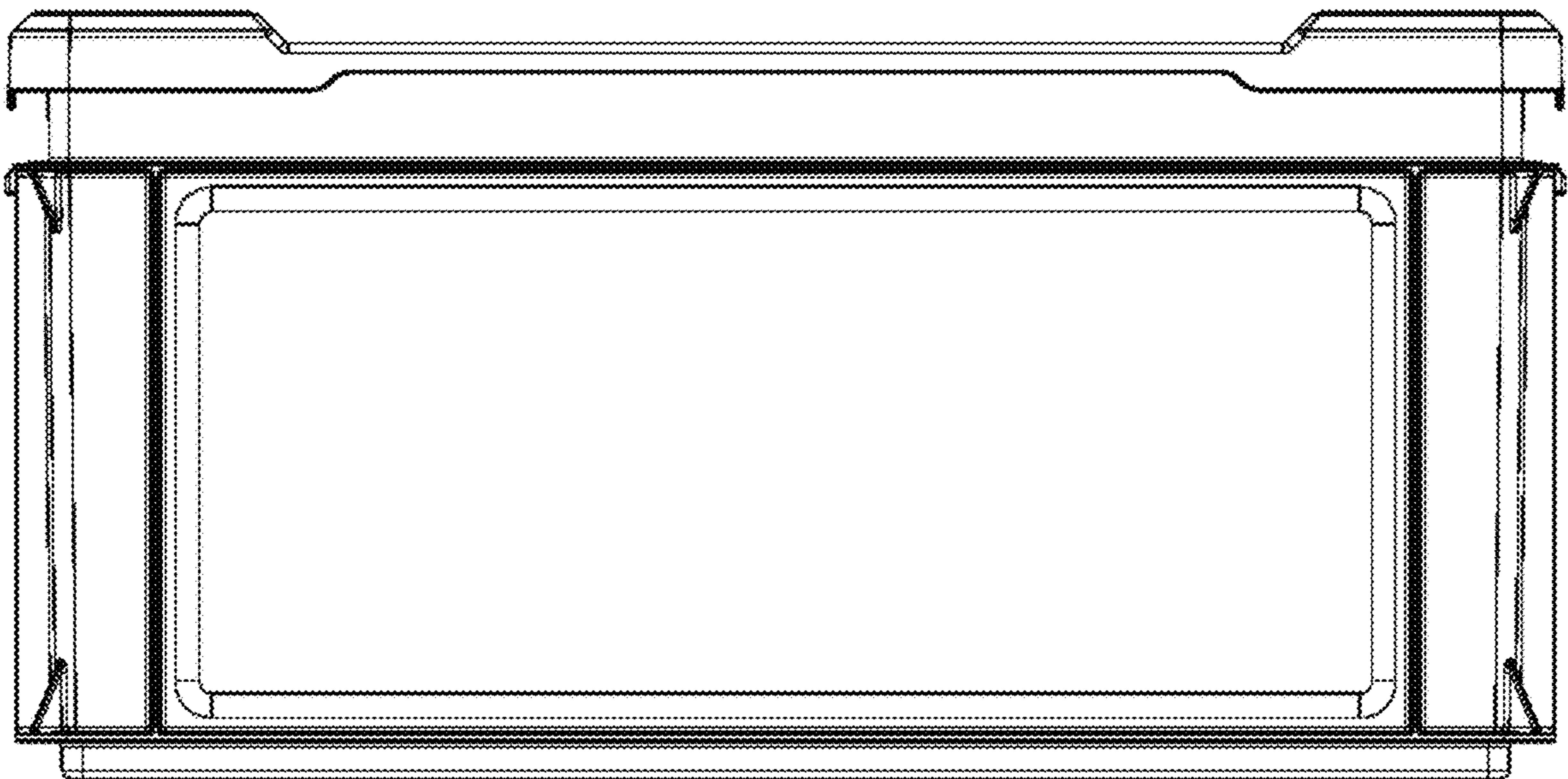
1.4



1.5



1.6



1.7

