



US00D920668S

(12) **United States Design Patent** (10) **Patent No.:** **US D920,668 S**
Bonnough et al. (45) **Date of Patent:** **** Jun. 1, 2021**

(54) **STORAGE CONTAINER**
(71) Applicant: **EcoPro Solutions LLC**, Independence, OH (US)
(72) Inventors: **Robert Bonnough**, Oregon, OH (US); **Chuck Hawes**, New London, OH (US); **Arthur Karas**, Richfield, OH (US)
(73) Assignee: **ECOPRO SOLUTIONS LLC**, Independence, OH (US)

D727,620 S * 4/2015 Tonelli D3/276
D765,973 S * 9/2016 Tonelli D3/279
D781,772 S * 3/2017 Sanz D12/345
(Continued)

(**) Term: **15 Years**

(21) Appl. No.: **29/682,299**

(22) Filed: **Mar. 4, 2019**

(51) **LOC (13) Cl.** **03-01**

(52) **U.S. Cl.**
USPC **D3/279; D3/284**

(58) **Field of Classification Search**
USPC D3/272, 273, 276, 279, 282, 284, 291, D3/294, 302, 900, 905, 903, 295
CPC B25H 3/02; B65D 90/24
See application file for complete search history.

(56) **References Cited**

U.S. PATENT DOCUMENTS

D416,384 S	11/1999	Bell	
D471,710 S *	3/2003	Rushworth	D3/276
6,929,303 B1	8/2005	Sharples	
D574,150 S *	8/2008	Ross	D3/272
D577,488 S	9/2008	Weng et al.	
D580,169 S *	11/2008	Gibson	D3/272
D580,170 S *	11/2008	Klotzman	D3/272
D580,171 S *	11/2008	Weng	D3/272
7,494,171 B2	2/2009	Martin et al.	
D606,306 S *	12/2009	Monte	D3/273
D615,022 S	5/2010	Schanz et al.	
D644,437 S	9/2011	Lintula	
D710,100 S *	8/2014	Brunner	D3/279
D724,320 S *	3/2015	Russell	D3/273

OTHER PUBLICATIONS

Media Hosted on "linkedin", accessed Jul. 8, 2020. (https://media-exp1.licdn.com/dms/image/C4E22AQEybtJO5Jb0PQ/feedshare-shrink_800/0?e=1594252800&v=beta&t=Xc19J7zdHyv0nzQ2-nnQDjXDhY6NneBZ_NRyXHoN7JI) (Year: 2020).*
(Continued)

Primary Examiner — April Rivas

(74) *Attorney, Agent, or Firm* — BakerHostetler

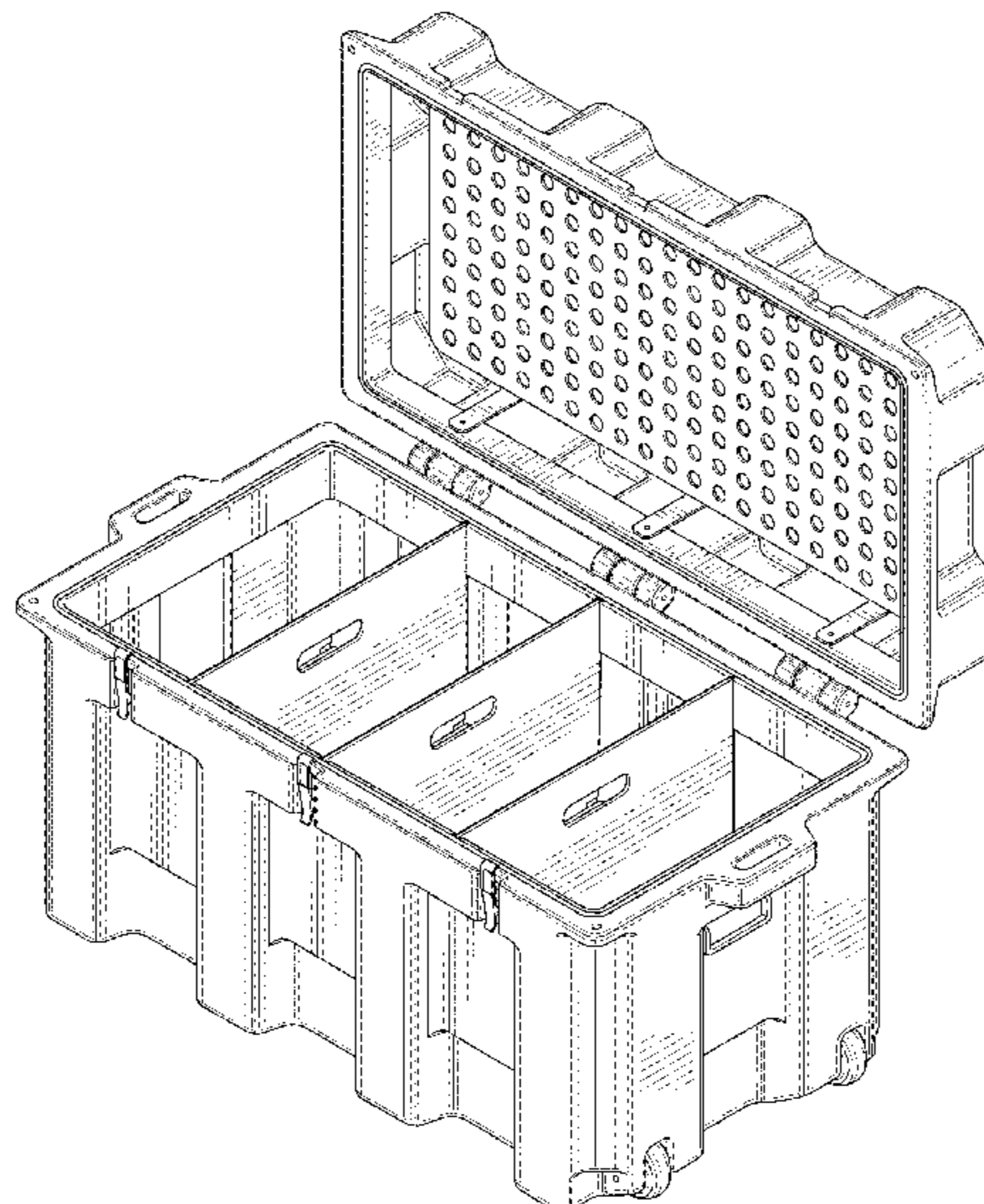
(57) **CLAIM**

The ornamental design for a storage container, as shown and described.

DESCRIPTION

FIG. 1 is a right perspective view of a storage container with inserts.
FIG. 2 is a left perspective view of the storage container with inserts.
FIG. 3 is a front elevation view of the storage container with inserts.
FIG. 4 is a top plan view of the storage container with inserts.
FIG. 5 is a right perspective view of the storage container without inserts.
FIG. 6 is a left perspective view of the storage container without inserts.
FIG. 7 is a front elevation view of the storage container without inserts; and,
FIG. 8 is a top plan view of the storage container without inserts.
The broken lines illustrate portions of the storage container and form no part of the claimed design. The inserts are shown removed from FIGS. 5-8 for convenience of disclosure only.

1 Claim, 8 Drawing Sheets



(56)

References Cited

U.S. PATENT DOCUMENTS

9,631,860	B2	4/2017	Gossens et al.	
D808,164	S	1/2018	Summers	
D844,325	S	4/2019	Nelson	
D856,673	S *	8/2019	Stirnemann D3/273
2003/0226479	A1	12/2003	Carter et al.	
2005/0035120	A1	2/2005	Hull et al.	

OTHER PUBLICATIONS

Facebook, user: Spill Station Asian Pte Ltd, photo posted Jun. 21, 2018. (<https://www.facebook.com/spillstationSG/photos/pb.481900572228776.-2207520000..482093155542851/?type=3&theater>) (Year: 2018).*

EcoPro Solutions, “COIRLOCKER”, Accessed Jul. 8, 2020. (<https://www.ecopro.com/coirlocker/>) (Year: 2020).*

Spill Control, “1200 Litre Wheeled Locker Spill Kit”, Accessed Jun. 18, 2020. (<https://www.spill-control-products.co.uk/productdetail/oil-spill-kits-oil-and-fuel-1200-litre-wheeled-locker-spill-kit-for-factories>) (Year: 2020).

Interstate Products, “CSK25 Oil Only Spill Station—Stackable”, Accessed Jun. 18, 2020. (<https://store.interstateproducts.com/products/ck25-oil-only-spill-station-stackable.html>) (Year: 2020).

Amazon, “Spill Kit/Station, Mobile Container, Oil-Based Liquids, 119 gal.”, First on sale Jan. 15, 2019. (<https://www.amazon.com/Station-Mobile-Container-Oil-Based-Liquids/dp/BOOUSLFOMO>) (Year: 2019).

Office Action dated Jul. 8, 2020 of pending U.S. Appl. No. 29/682,297.

* cited by examiner

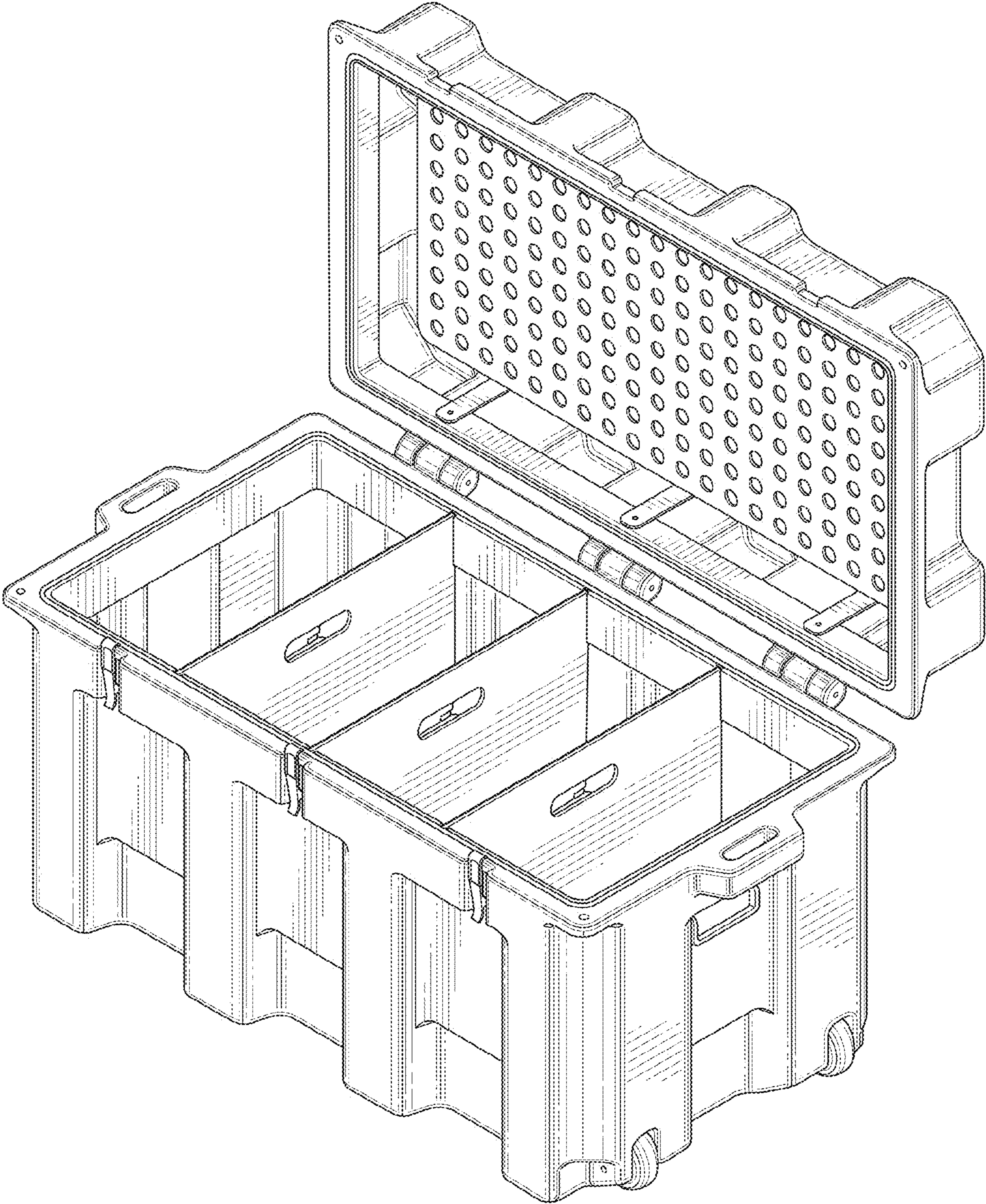


FIG. 1

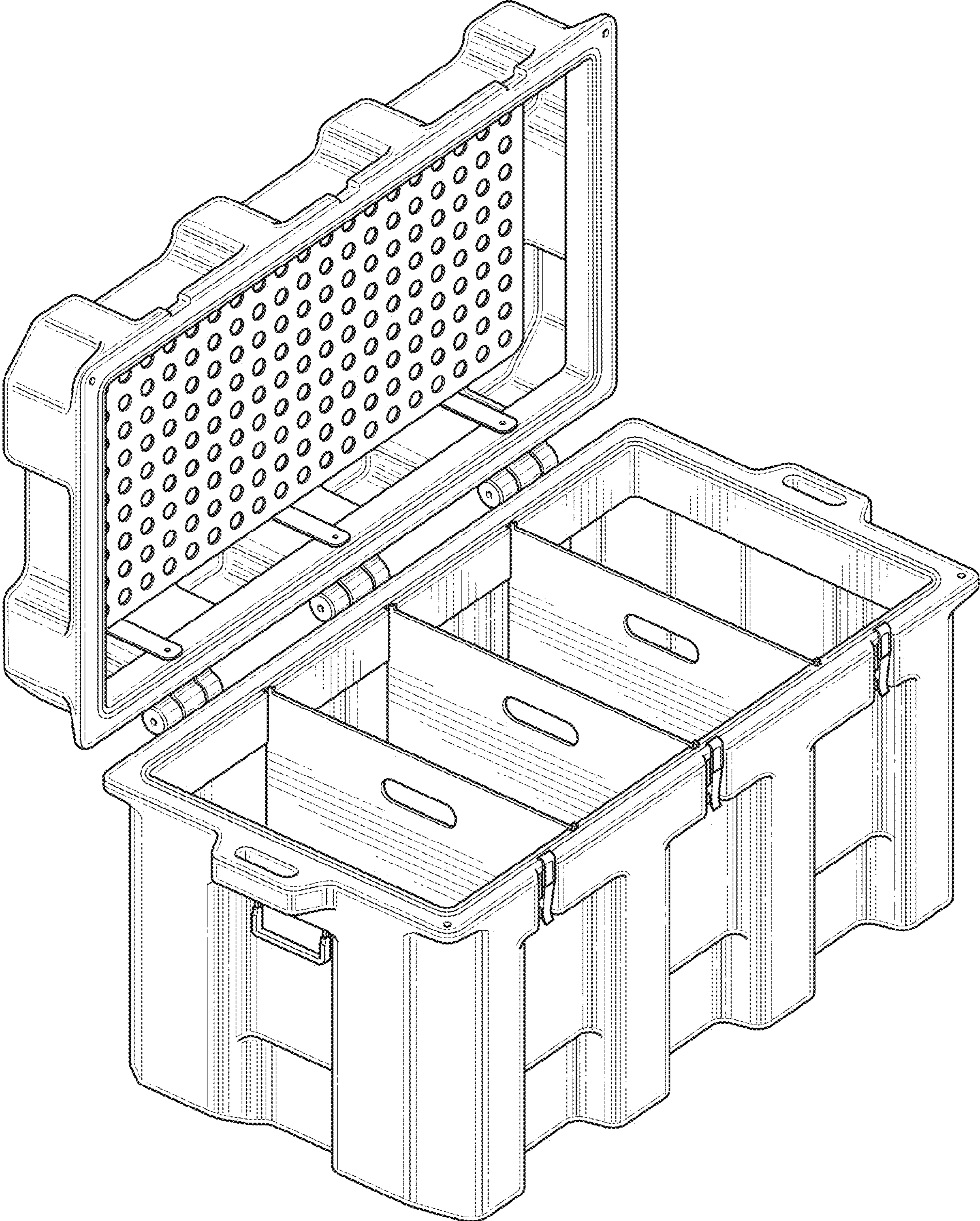


FIG. 2

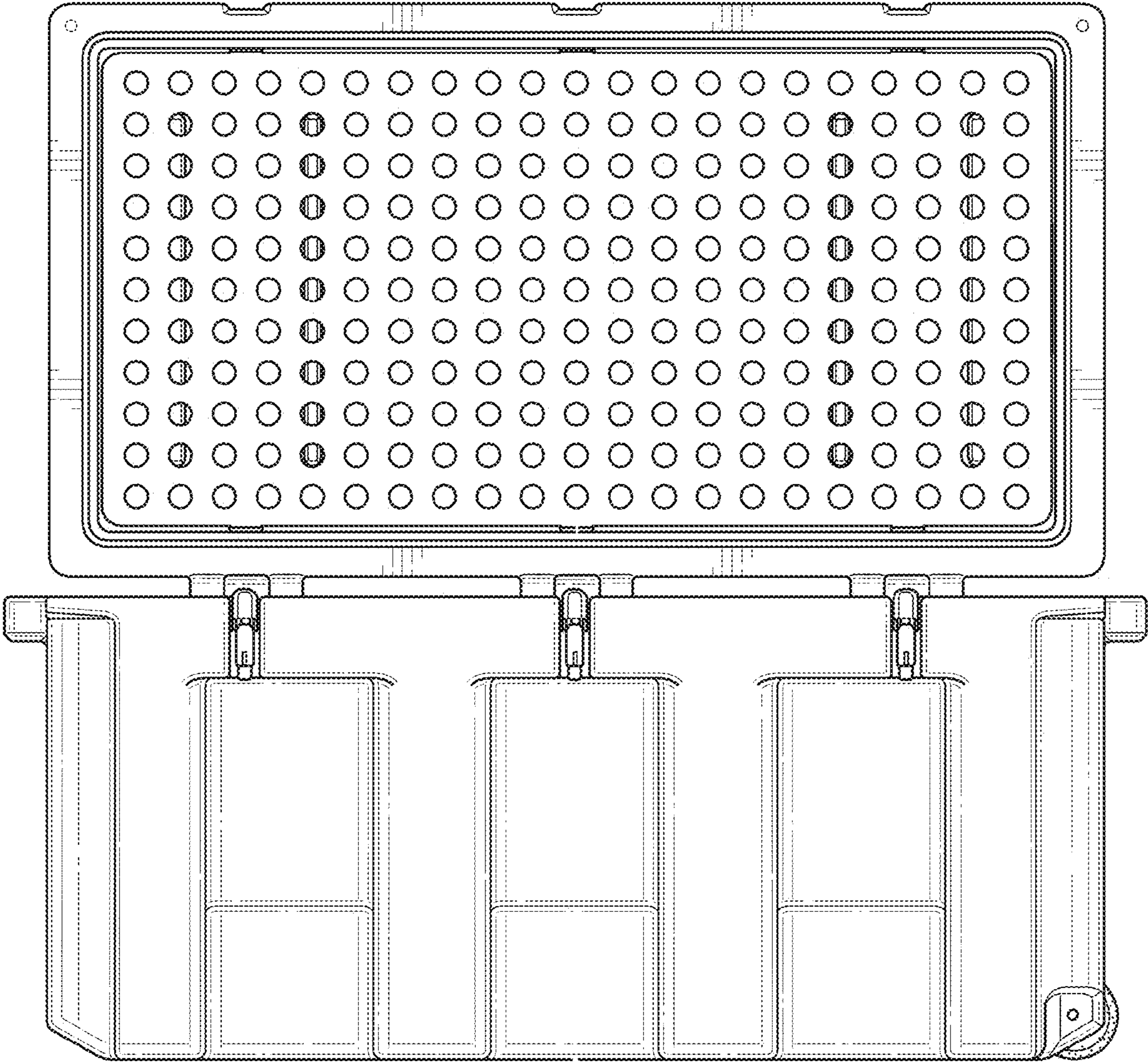


FIG. 3

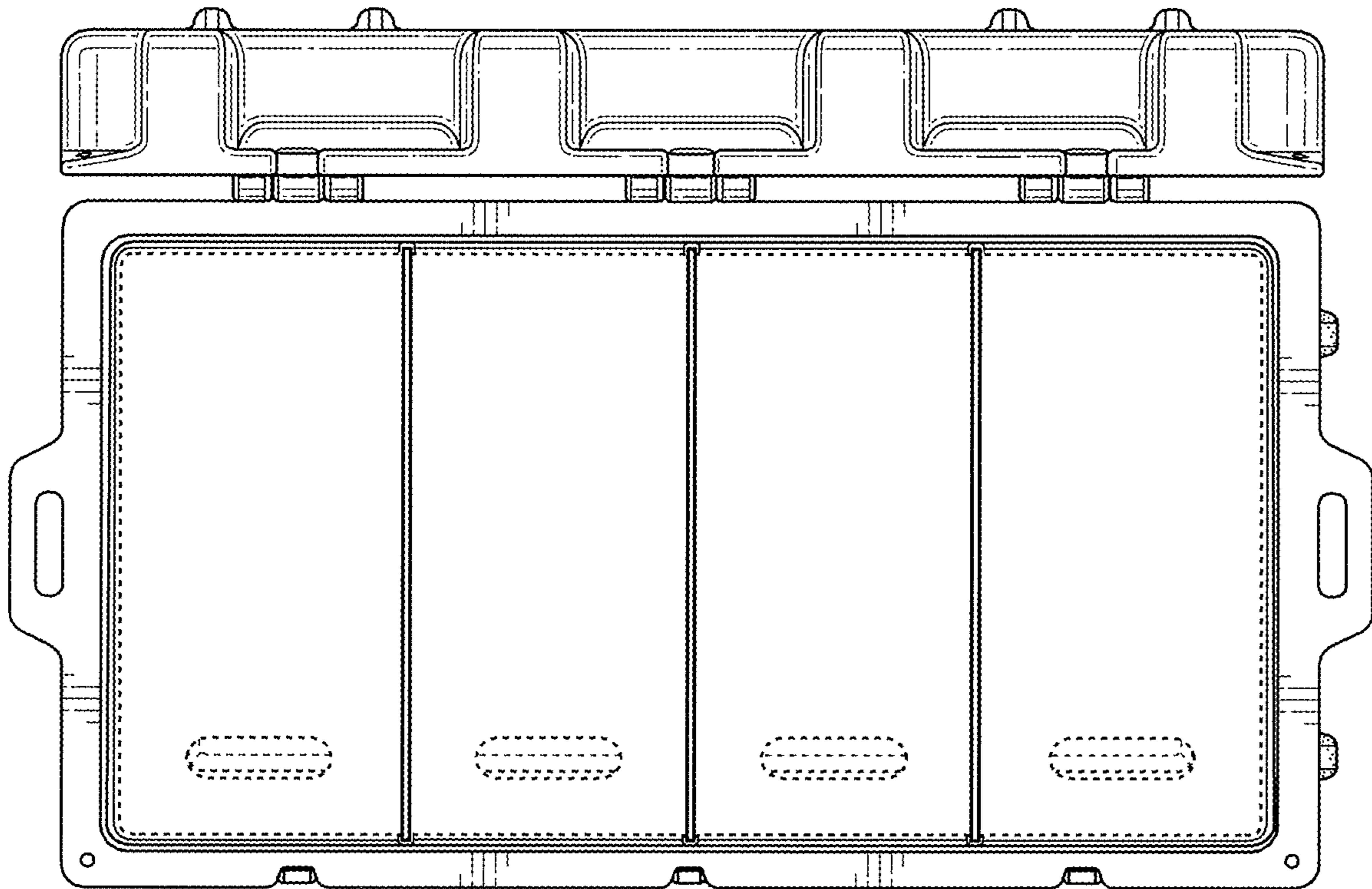


FIG. 4

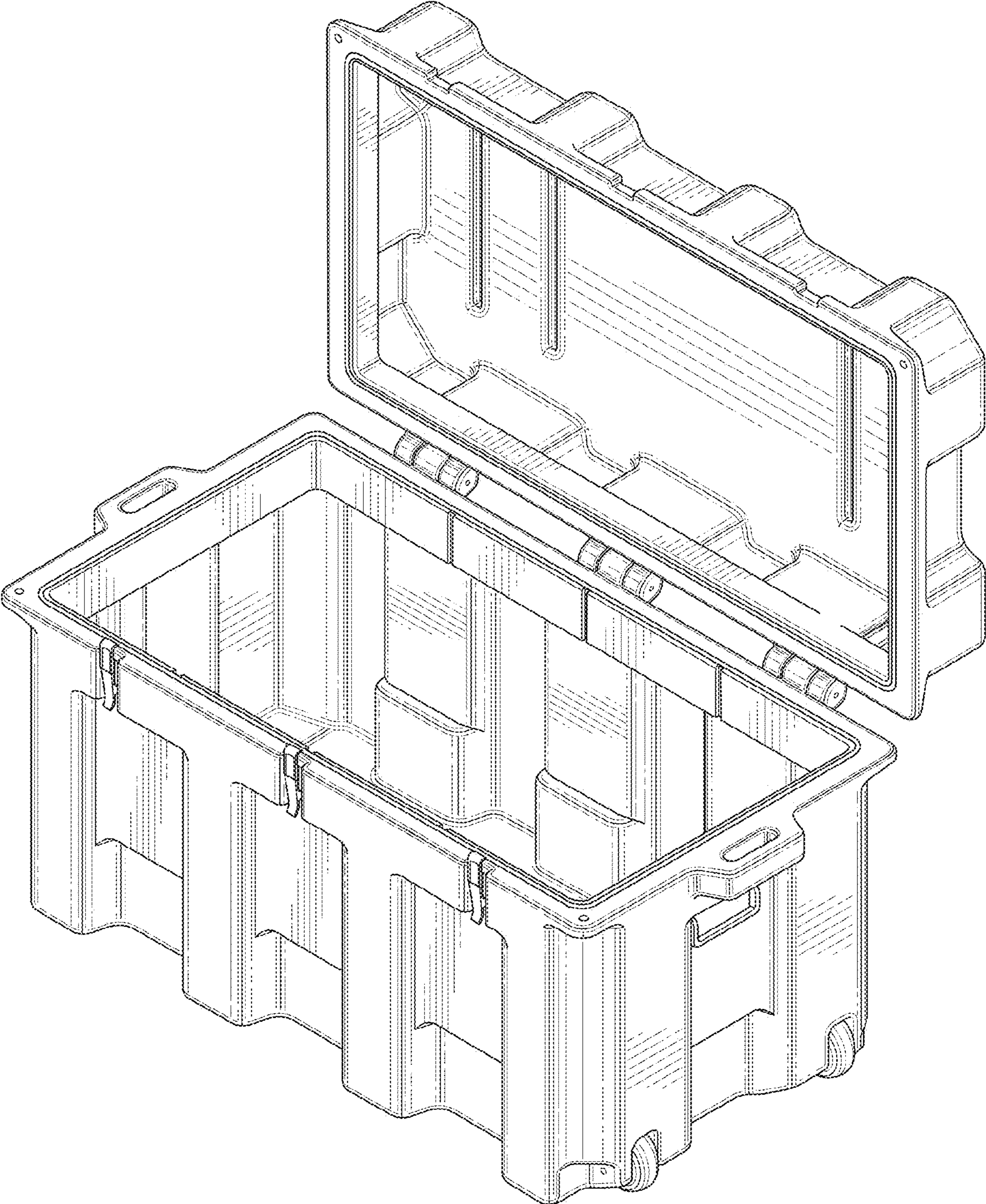


FIG. 5

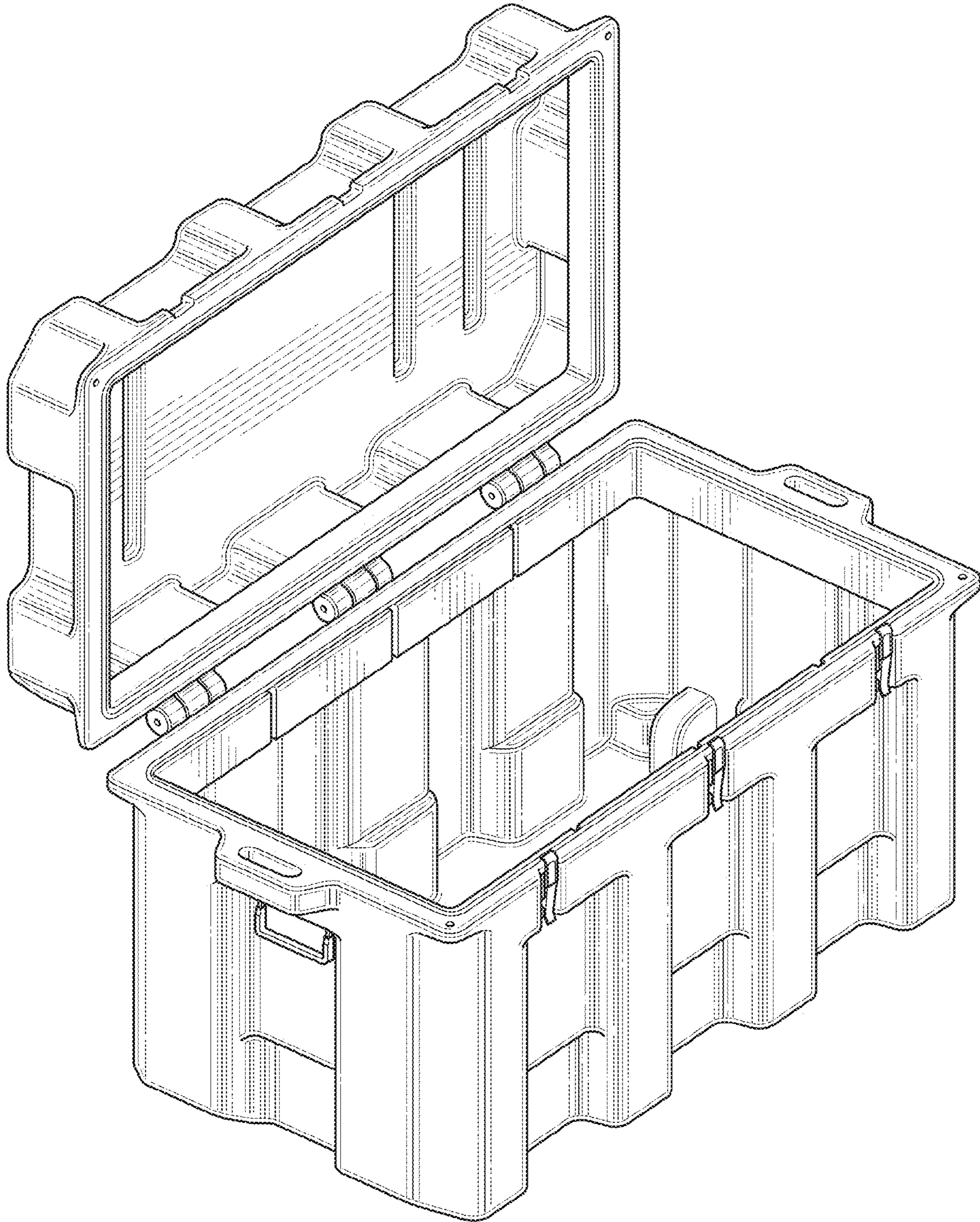


FIG. 6

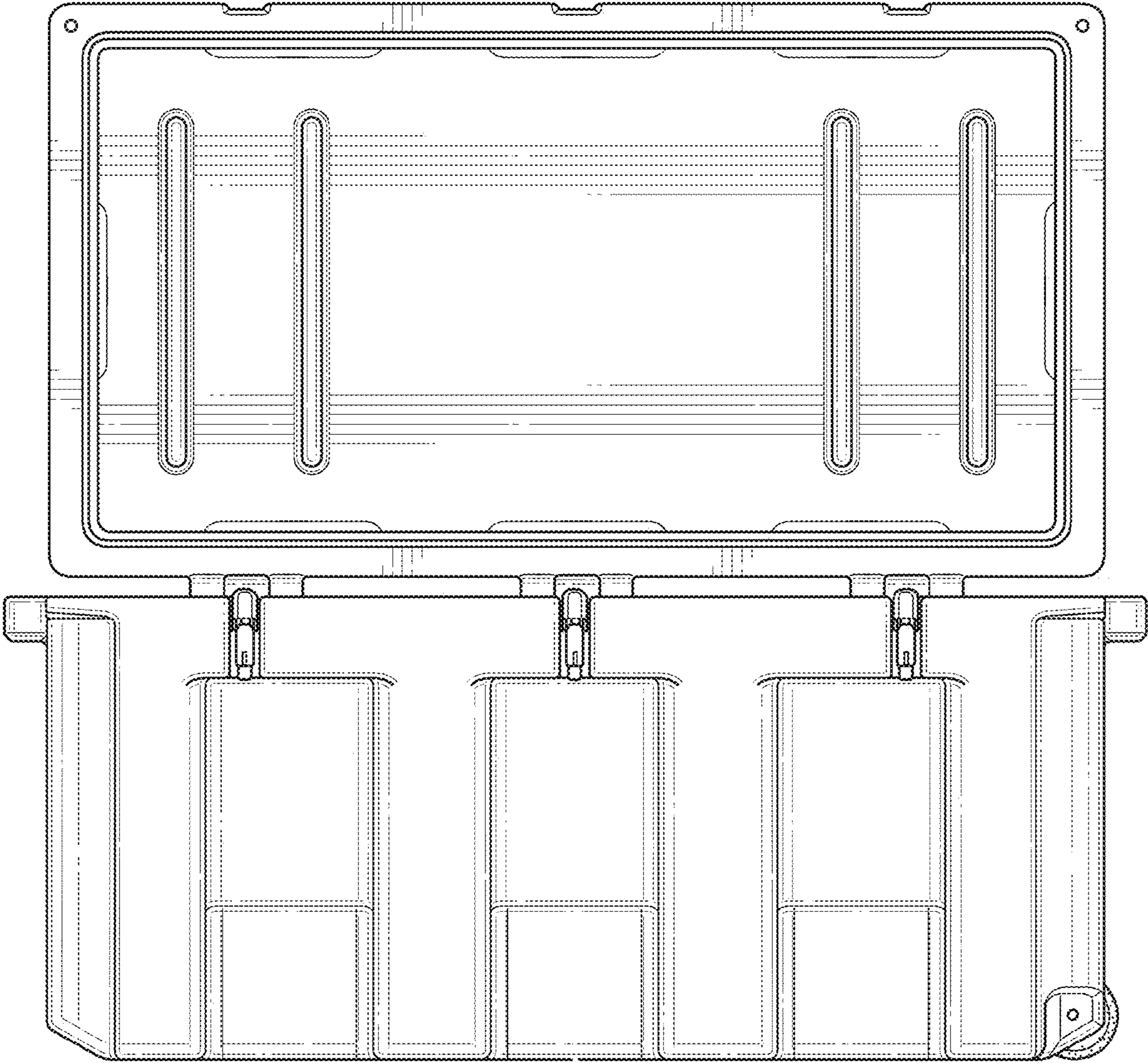


FIG. 7

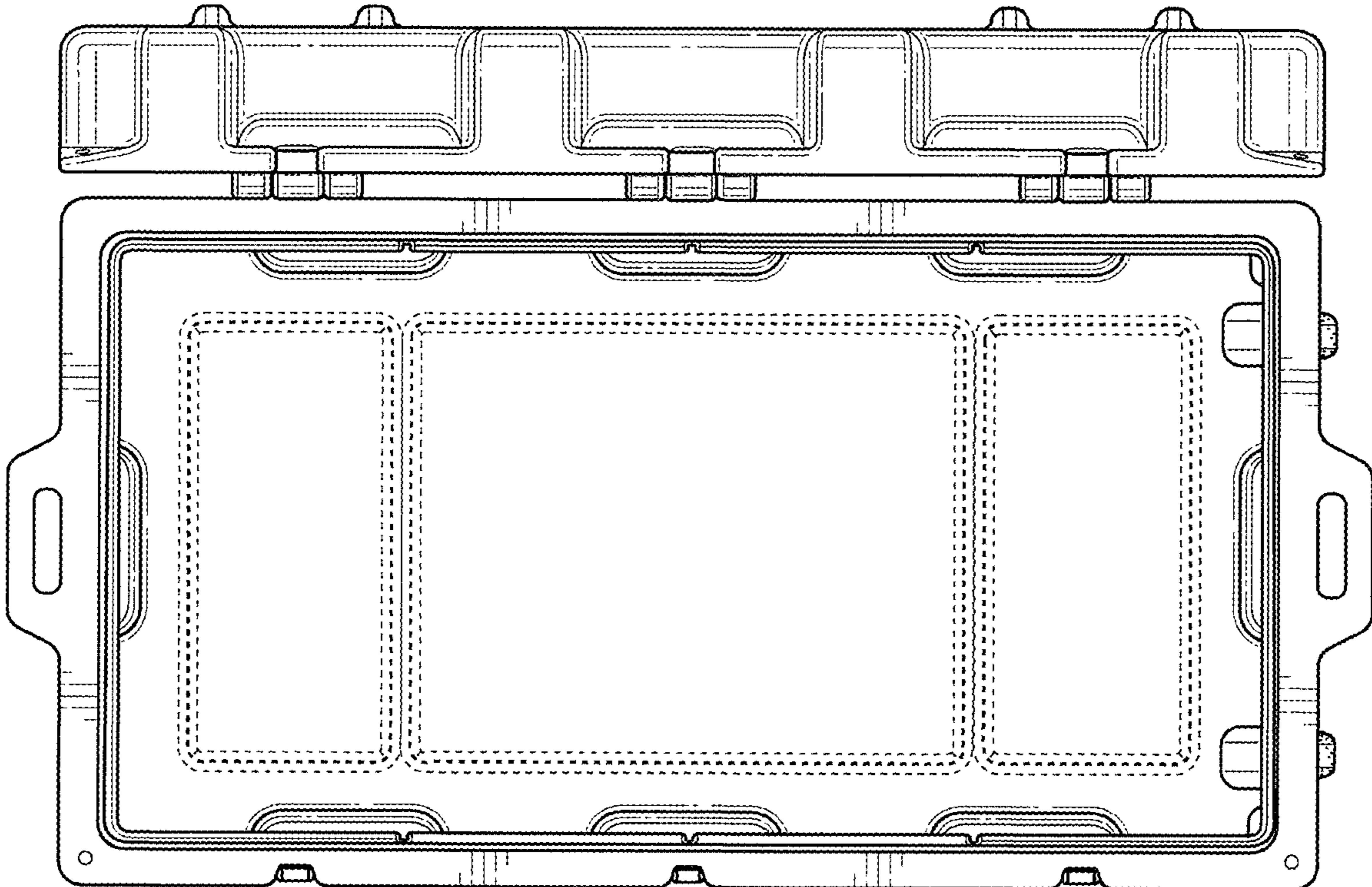


FIG. 8