



US00D920667S

(12) **United States Design Patent** (10) **Patent No.:** **US D920,667 S**
Bonnough et al. (45) **Date of Patent:** **** Jun. 1, 2021**

(54) **STORAGE CONTAINER**
(71) Applicant: **EcoPro Solutions LLC**, Independence, OH (US)
(72) Inventors: **Robert Bonnough**, Oregon, OH (US); **Chuck Hawes**, New London, OH (US); **Arthur Karas**, Richfield, OH (US)
(73) Assignee: **ECOPRO SOLUTIONS LLC**, Independence, OH (US)

D724,320 S * 3/2015 Russell D3/273
D727,620 S * 4/2015 Tonelli D3/276
D765,973 S * 9/2016 Tonelli D3/279
D781,772 S * 3/2017 Sanz D12/345
9,631,860 B2 4/2017 Gossens et al.
D808,164 S * 1/2018 Summers D3/279
D844,325 S * 4/2019 Nelson D3/279
D856,673 S * 8/2019 Stirnimann D3/273
2003/0226479 A1* 12/2003 Carter B65D 90/24
108/55.1

(Continued)

(**) Term: **15 Years**

(21) Appl. No.: **29/682,297**

(22) Filed: **Mar. 4, 2019**

(51) **LOC (13) Cl.** **03-01**

(52) **U.S. Cl.**
USPC **D3/279**

(58) **Field of Classification Search**
USPC D3/272, 273, 276, 279, 282, 284, 291,
D3/294, 302, 900, 905, 903
CPC B25H 3/02; B65D 90/24
See application file for complete search history.

(56) **References Cited**

U.S. PATENT DOCUMENTS

D416,384 S * 11/1999 Bell D3/272
D471,710 S * 3/2003 Rushworth D3/276
6,929,303 B1 8/2005 Sharples
D574,150 S * 8/2008 Ross D3/272
D577,488 S * 9/2008 Weng D3/281
D580,169 S * 11/2008 Gibson D3/272
D580,170 S * 11/2008 Klotzman D3/272
D580,171 S * 11/2008 Weng D3/272
7,494,171 B2 2/2009 Martin et al.
D606,306 S 12/2009 Monte
D615,022 S * 5/2010 Schanz D12/409
D644,437 S * 9/2011 Lintula D3/294
D710,100 S * 8/2014 Brunner D3/279

OTHER PUBLICATIONS

Spill Control, "1200 Litre Wheeled Locker Spill Kit", Accessed Jun. 18, 2020. (<https://www.spill-control-products.co.uk/productdetail/oil-spill-kits-oil-and-fuel-1200-litre-wheeled-locker-spill-kit-for-factories>) (Year: 2020).*

(Continued)

Primary Examiner — April Rivas
(74) *Attorney, Agent, or Firm* — BakerHostetler

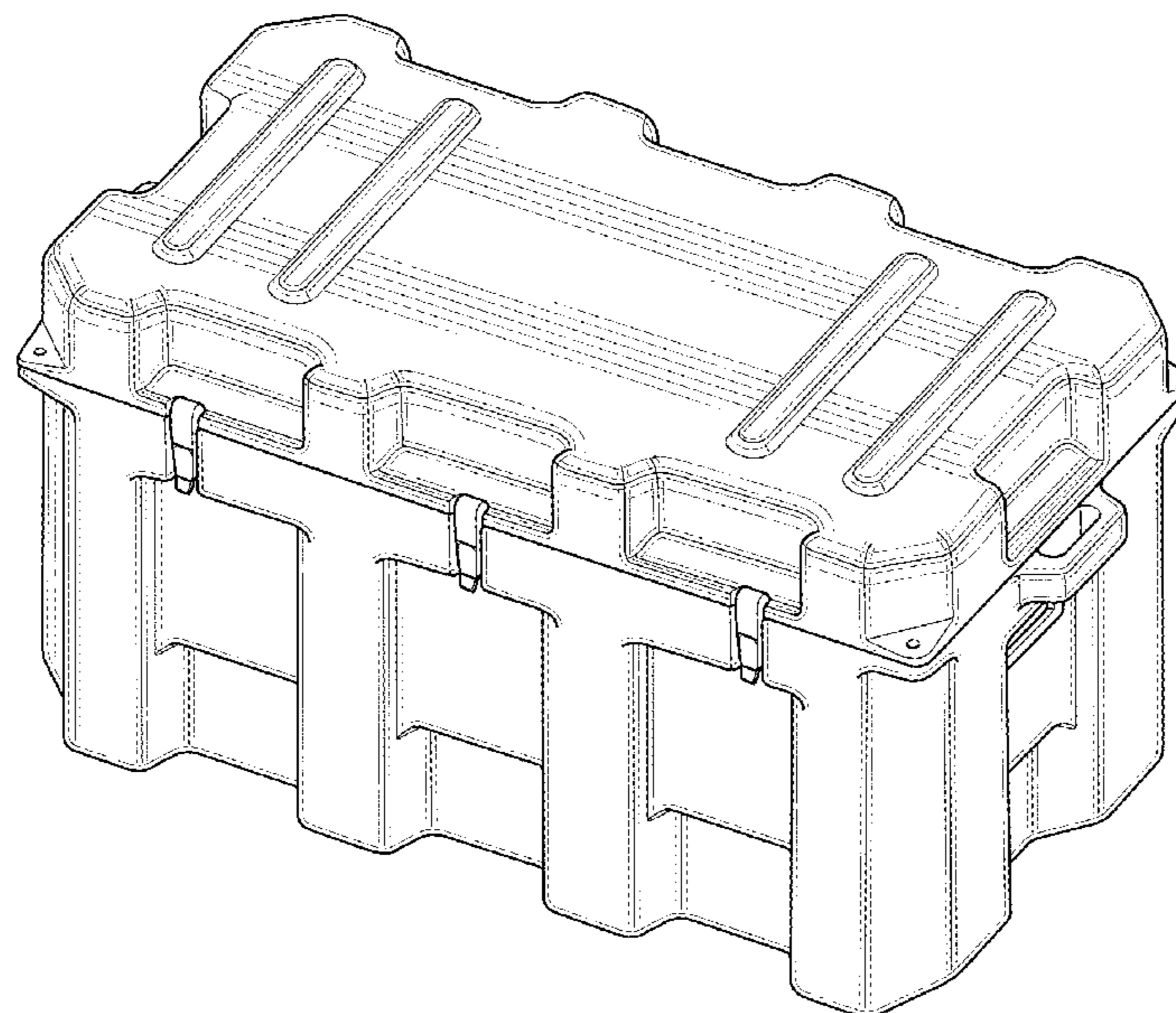
(57) **CLAIM**

The ornamental design for a storage container, as shown and described.

DESCRIPTION

FIG. 1 is an overhead perspective view of a storage container.
FIG. 2 is a top plan view of the storage container.
FIG. 3 is a bottom plan view of the storage container.
FIG. 4 is a front elevation view of the storage container.
FIG. 5 is a rear elevation view of the storage container.
FIG. 6 is a left side elevation view of the storage container; and,
FIG. 7 is a right side elevation view of the storage container.
The broken lines illustrate portions of the storage container and form no part of the claimed design.

1 Claim, 4 Drawing Sheets



(56)

References Cited

U.S. PATENT DOCUMENTS

2005/0035120 A1 2/2005 Hull et al.

OTHER PUBLICATIONS

Interstate Products, “CSK25 Oil Only Spill Station—Stackable”, Accessed Jun. 18, 20/20. (<https://store.interstateproducts.com/products/csk25-oil-only-spill-station-stackable.html>) (Year: 2020).*

Amazon, “Spill Kit/Station, Mobile Container, Oil-Based Liquids, 119 gal.”, First on sale Jan. 15, 2019. (<https://www.amazon.com/Station-Mobile-Container-Oil-Based-Liquids/dp/B00USLF0MO>) (Year: 2019).*

Media Hosted on “linkedin”, accessed Jul. 8, 2020. (https://media-exp1.licdn.com/dms/image/4E22AQEybtJO5Jb0PQ/feedshare-shrink_800/0?e=1594252800&v=beta&t=Xc19J7zdHyv0nzQ2-nnQDjXDhY6NneBZ_NRyXHoN7JI) (Year: 2020).

Facebook, user: Spill Station Asian Pte Ltd, photo posted Jun. 21, 2018. (<https://www.facebook.com/spillstationSG/photos/pb.481900572228776.-2207520000../482093155542851/?type=3&theater>) (Year: 2018).

EcoPro Solutions, “Coirlocker”, Accessed Jul. 8, 2020. (<https://www.ecopro.com/coirlocker/>) (Year: 2020).

Office Action dated Jul. 22, 2020 of pending U.S. Appl. No. 29/682,299.

* cited by examiner

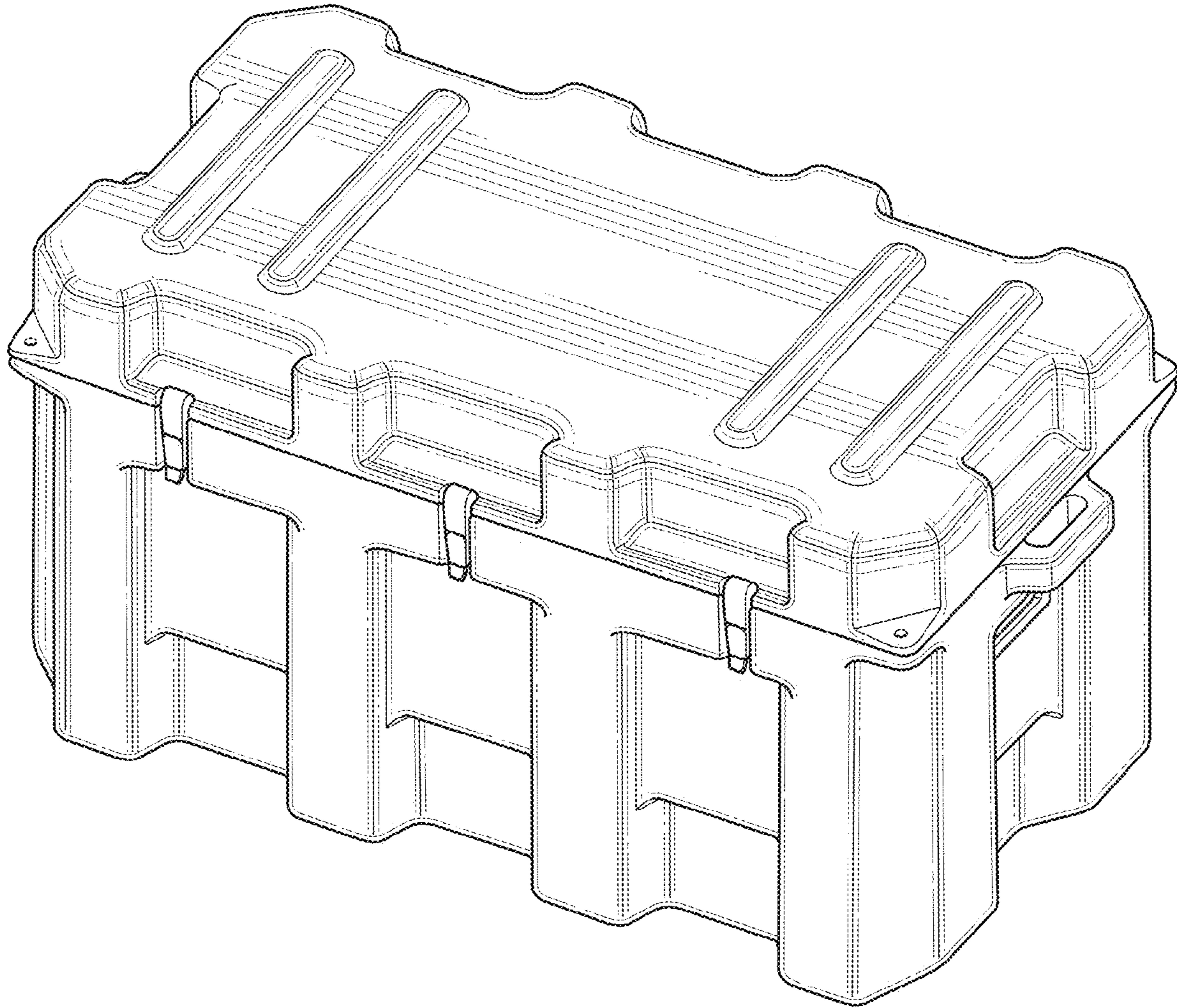


FIG. 1

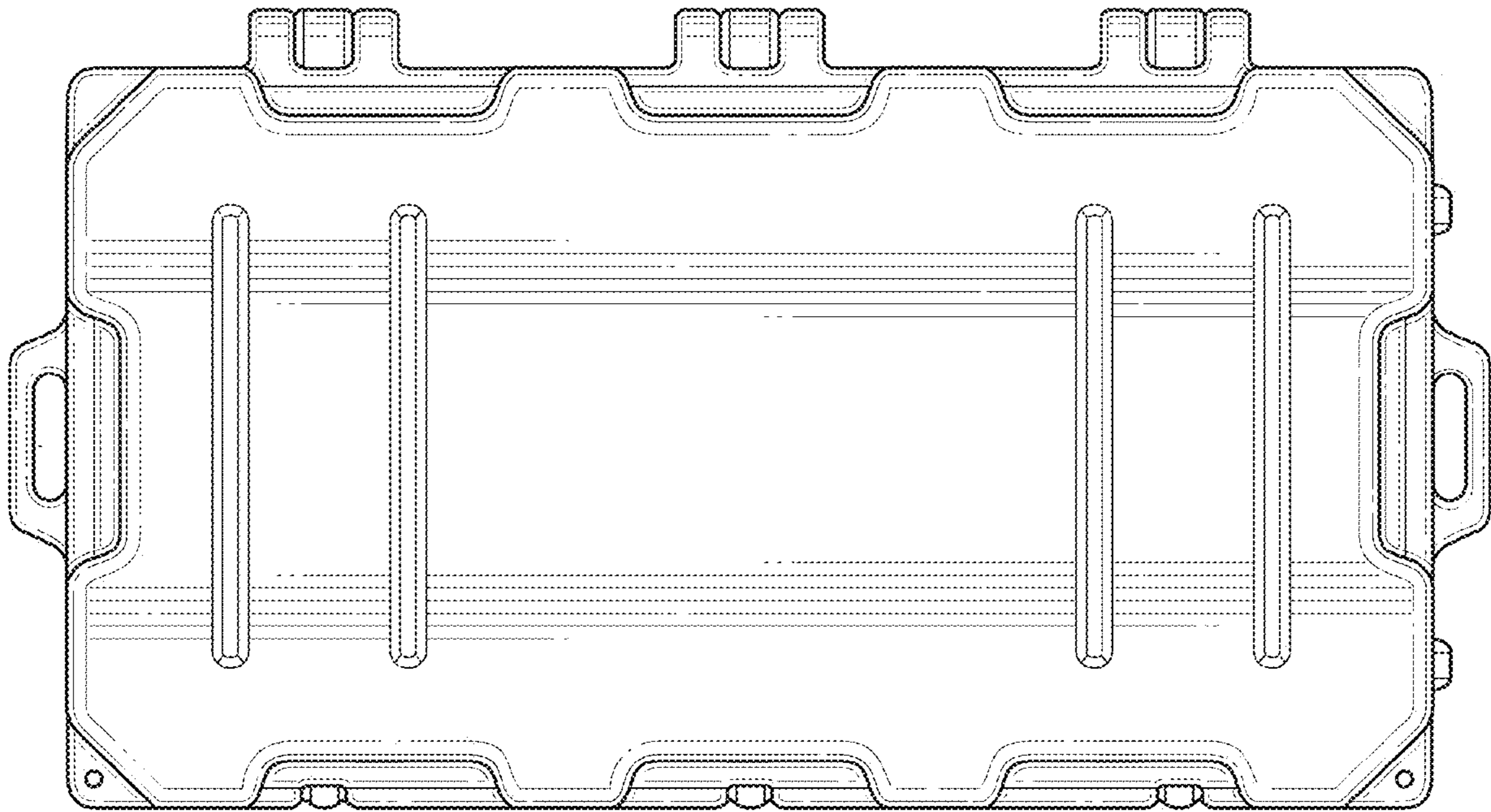


FIG. 2

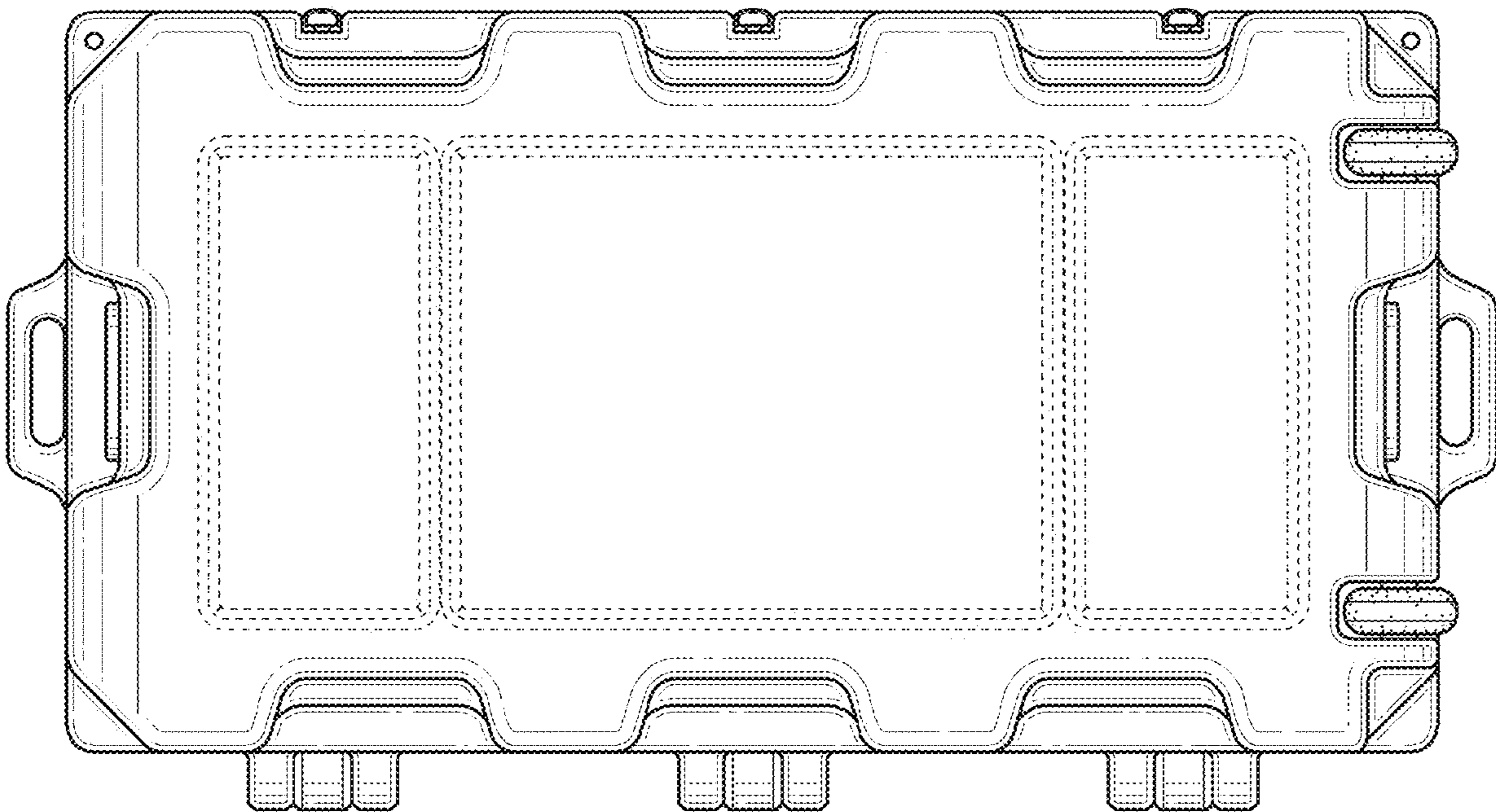


FIG. 3

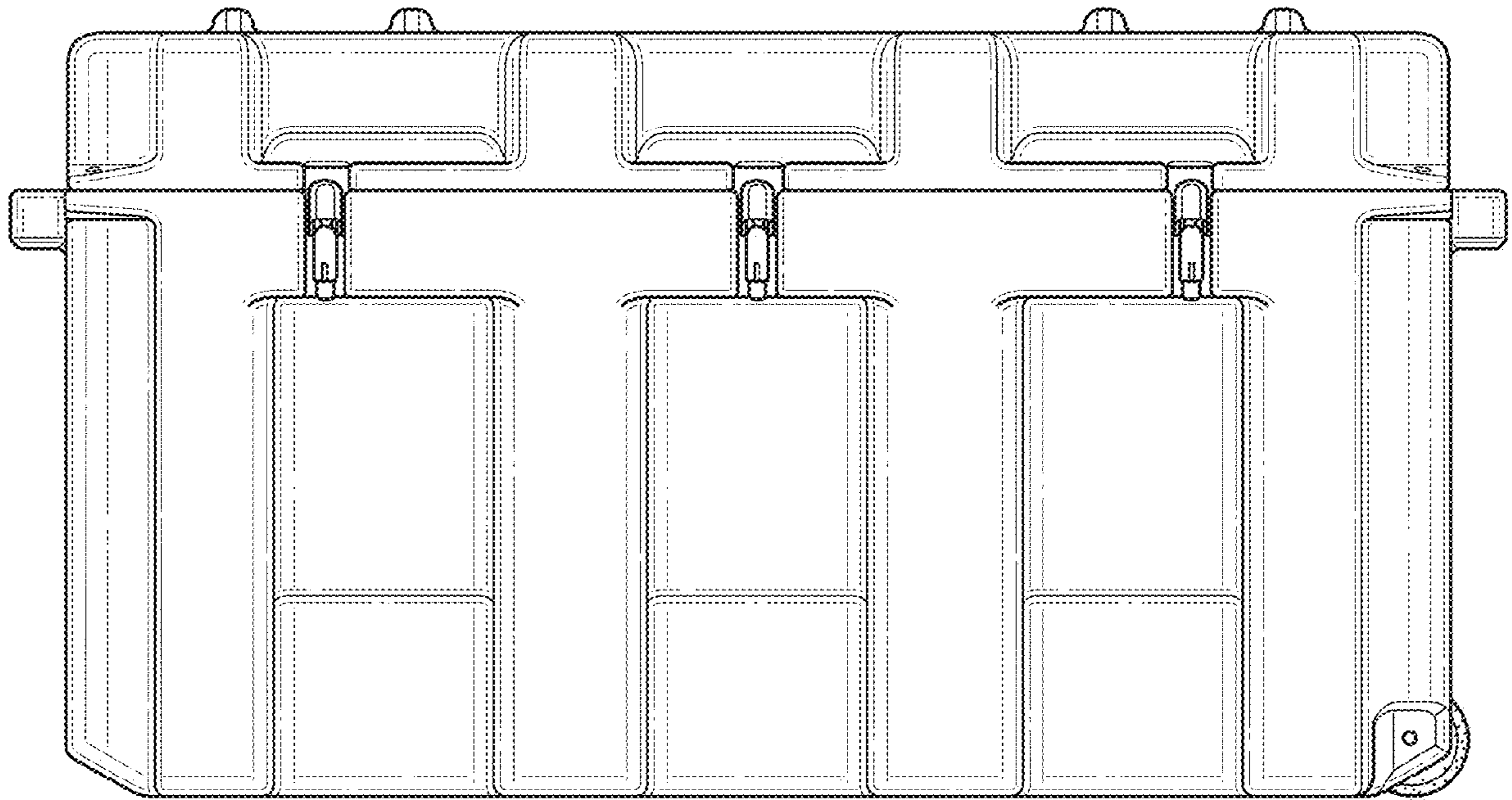


FIG. 4

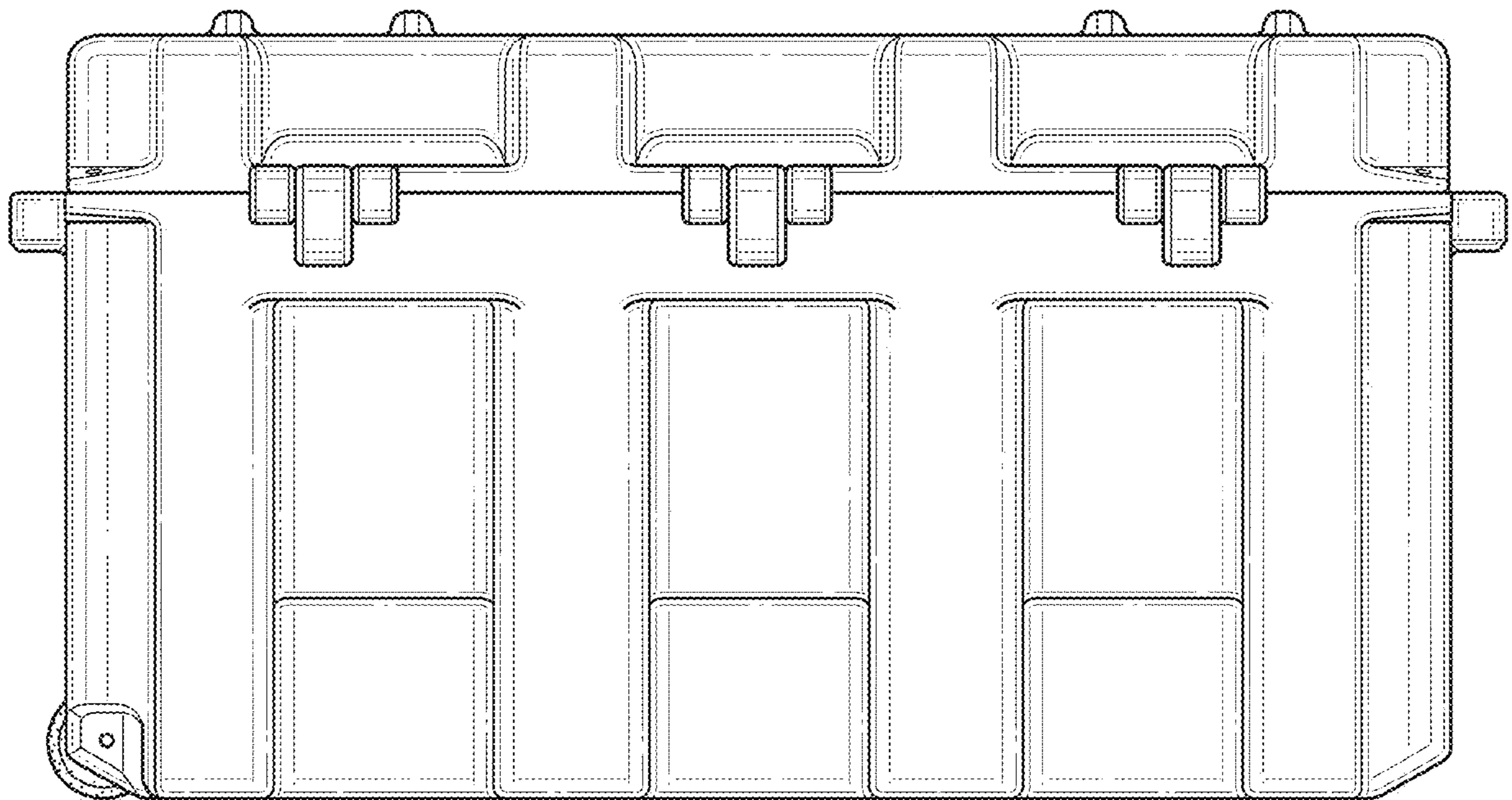


FIG. 5

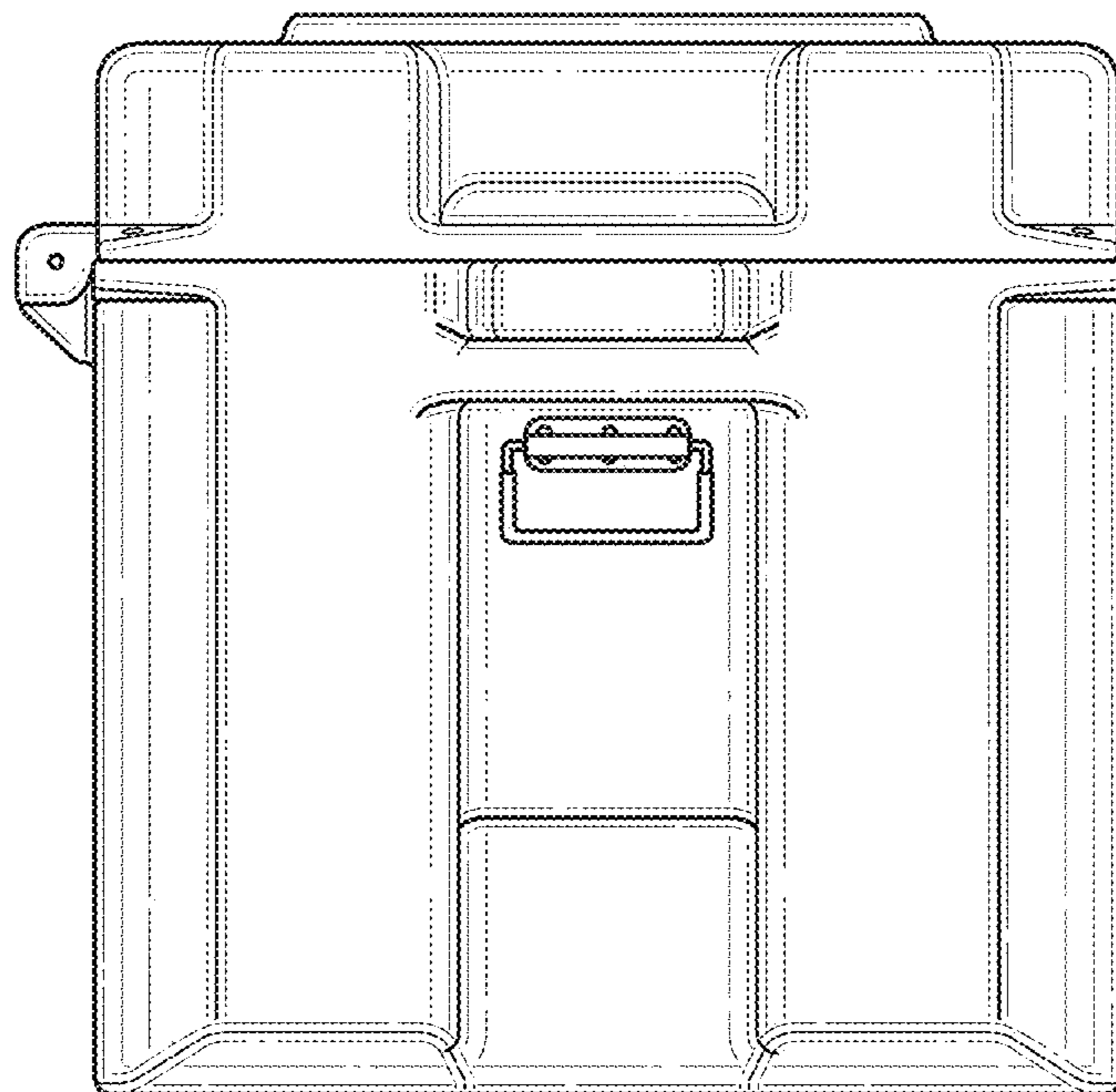


FIG. 6

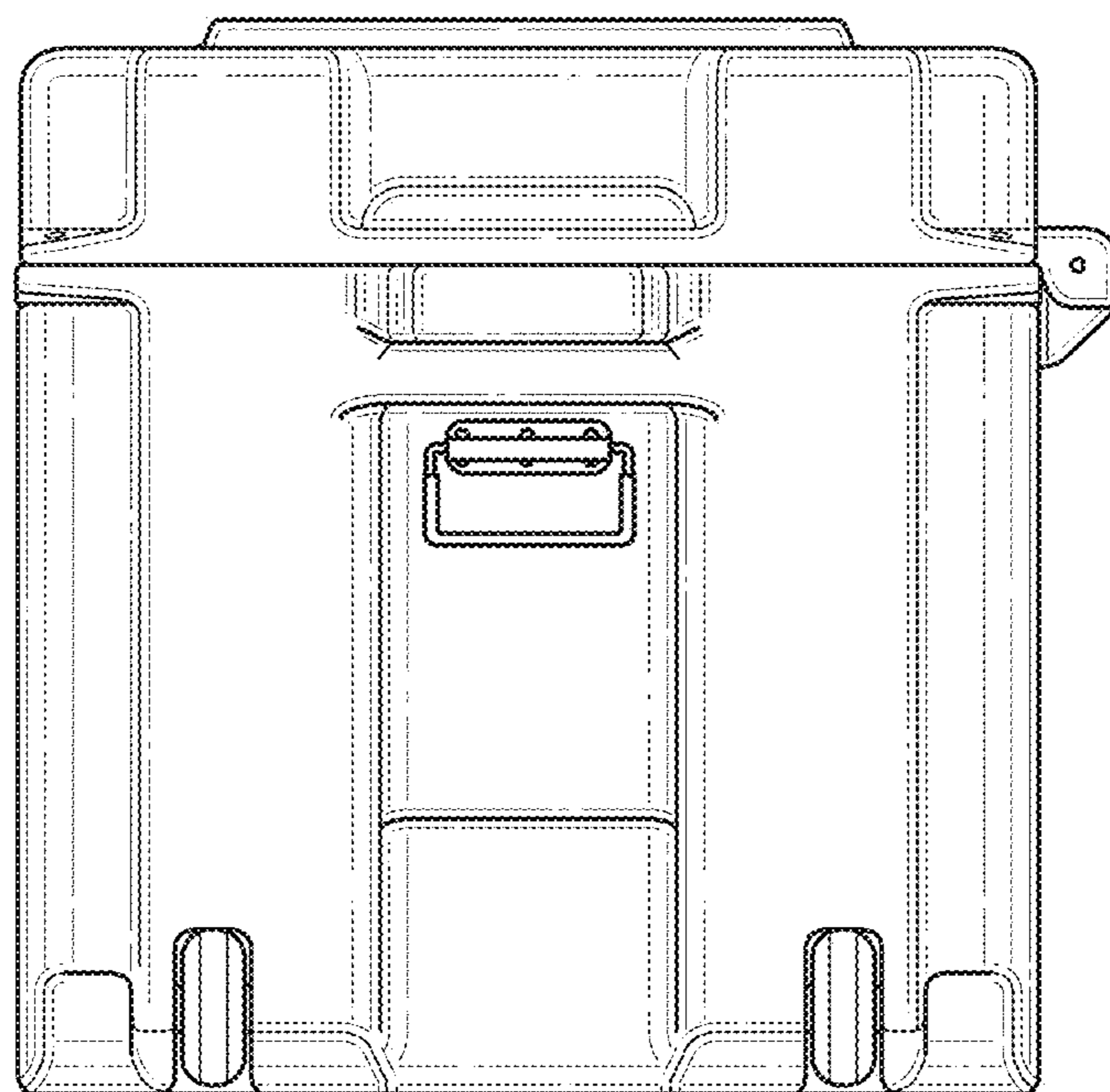


FIG. 7