



US00D920664S

(12) **United States Design Patent**
Kaldahl

(10) **Patent No.:** **US D920,664 S**

(45) **Date of Patent:** **** Jun. 1, 2021**

(54) **AMMUNITION CONTAINER**

(71) Applicant: **Jeffrey W. Kaldahl**, Denver, CO (US)

(72) Inventor: **Jeffrey W. Kaldahl**, Denver, CO (US)

(**) Term: **15 Years**

(21) Appl. No.: **29/612,756**

(22) Filed: **Aug. 3, 2017**

(51) **LOC (13) Cl.** **03-01**

(52) **U.S. Cl.**
USPC **D3/262**

(58) **Field of Classification Search**

USPC D22/108; 206/3; D3/201, 215, 216, 217,
D3/219, 221, 222, 223, 224, 225, 226,
D3/227, 230, 232, 239, 254, 255, 256,
D3/257, 258, 259, 260, 261, 262, 263,
D3/265, 271.9, 271.11, 271.12, 273, 303,
D3/274, 276, 282, 283, 284, 285, 286,
D3/287, 288, 290, 291, 293, 294, 295
CPC F42B 39/26; F42B 39/02; F42B 39/28;
F41A 29/00; F41A 29/02; F41A 29/04
See application file for complete search history.

(56) **References Cited**

U.S. PATENT DOCUMENTS

D525,789 S * 8/2006 Hosking D3/281
D577,928 S * 10/2008 Wong D3/295
8,453,796 B2 * 6/2013 Astor E06C 7/14
182/119
D741,597 S * 10/2015 Minneman D3/262
D777,426 S * 1/2017 Dahl D3/262
D798,054 S * 9/2017 Shpitzer D3/283
D804,177 S * 12/2017 Zemel D3/295

D809,779 S * 2/2018 Muriithi D3/203.3
2013/0307214 A1 * 11/2013 Groller A63F 11/00
273/148 R
2016/0251124 A1 * 9/2016 Arnold B65D 43/162
220/324

* cited by examiner

Primary Examiner — Lilyana Bekic
Assistant Examiner — Mary Shannon Malley
(74) *Attorney, Agent, or Firm* — Polsinelli PC

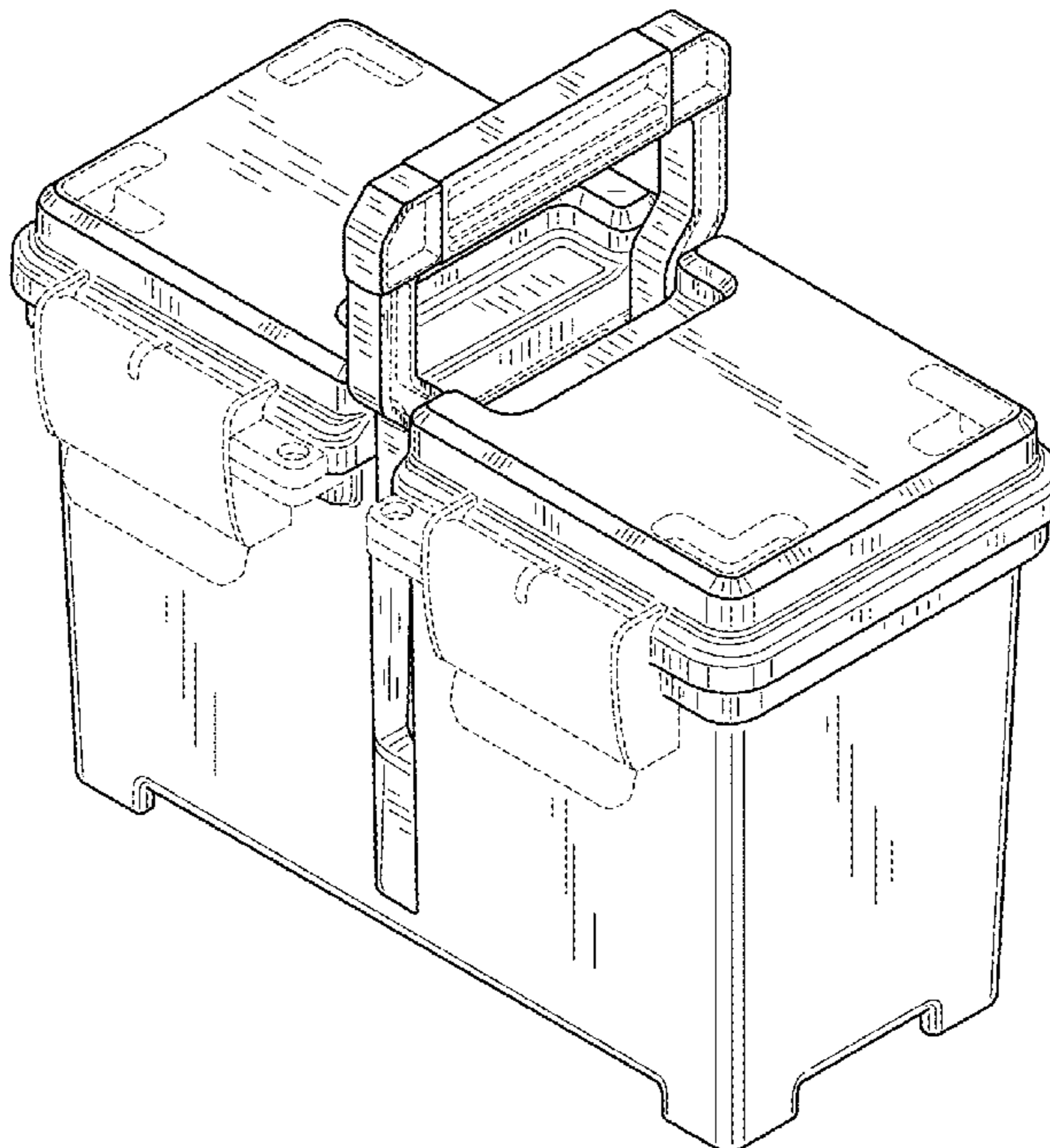
(57) **CLAIM**

The ornamental design for an ammunition container, as shown and described.

DESCRIPTION

FIG. 1 is a front isometric view of an ammunition container shown in a first configuration;
FIG. 2 is an isometric view thereof, shown in a second configuration;
FIG. 3 is a front elevation view of the ammunition container of FIG. 1;
FIG. 4 is a rear elevation view of the ammunition container of FIG. 1;
FIG. 5 is a side elevation view of the ammunition container of FIG. 1;
FIG. 6 is a top plan view of the ammunition container of FIG. 2;
FIG. 7 is a bottom plan view of the ammunition container;
FIG. 8 is a front isometric view of the ammunition container shown in a third configuration;
FIG. 9 is a high angle side view thereof; and,
FIG. 10 is a rear isometric view thereof.
The dash-dash broken lines depict portions of the ammunition container that do not form part of the claimed design. The dot-dot broken lines depict the boundaries of the claimed design and form no part thereof.

1 Claim, 10 Drawing Sheets



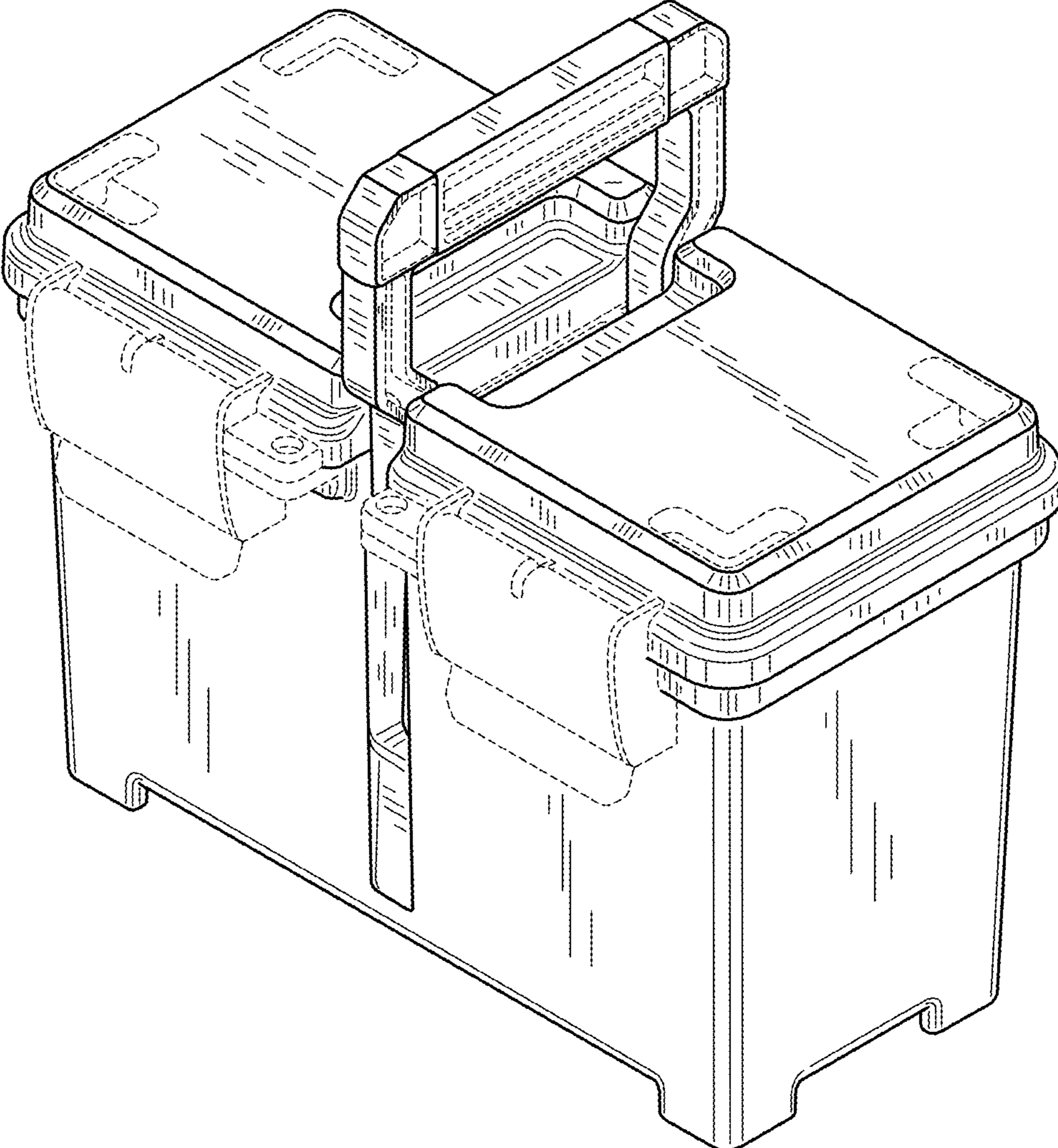


FIG.1

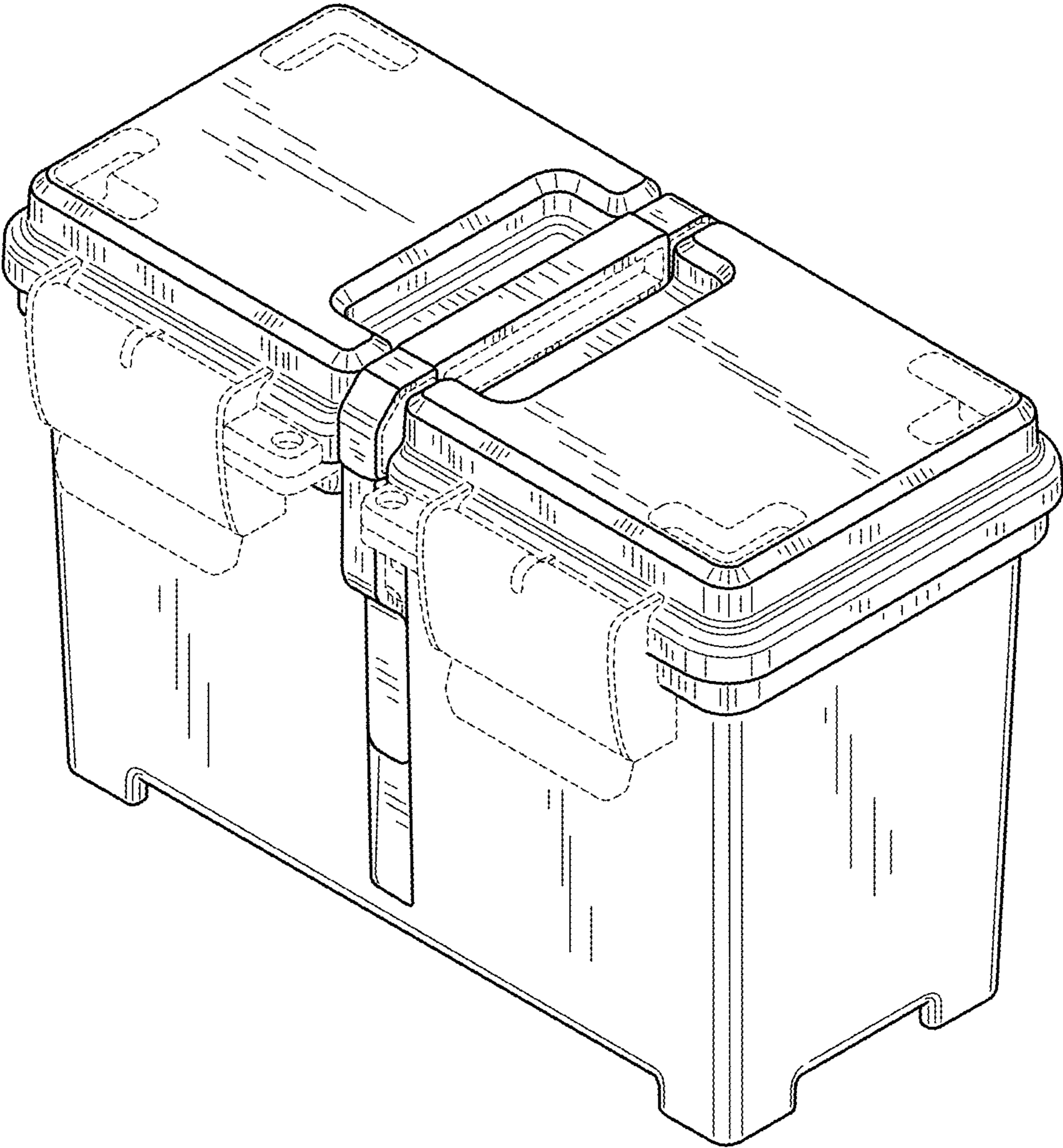


FIG.2

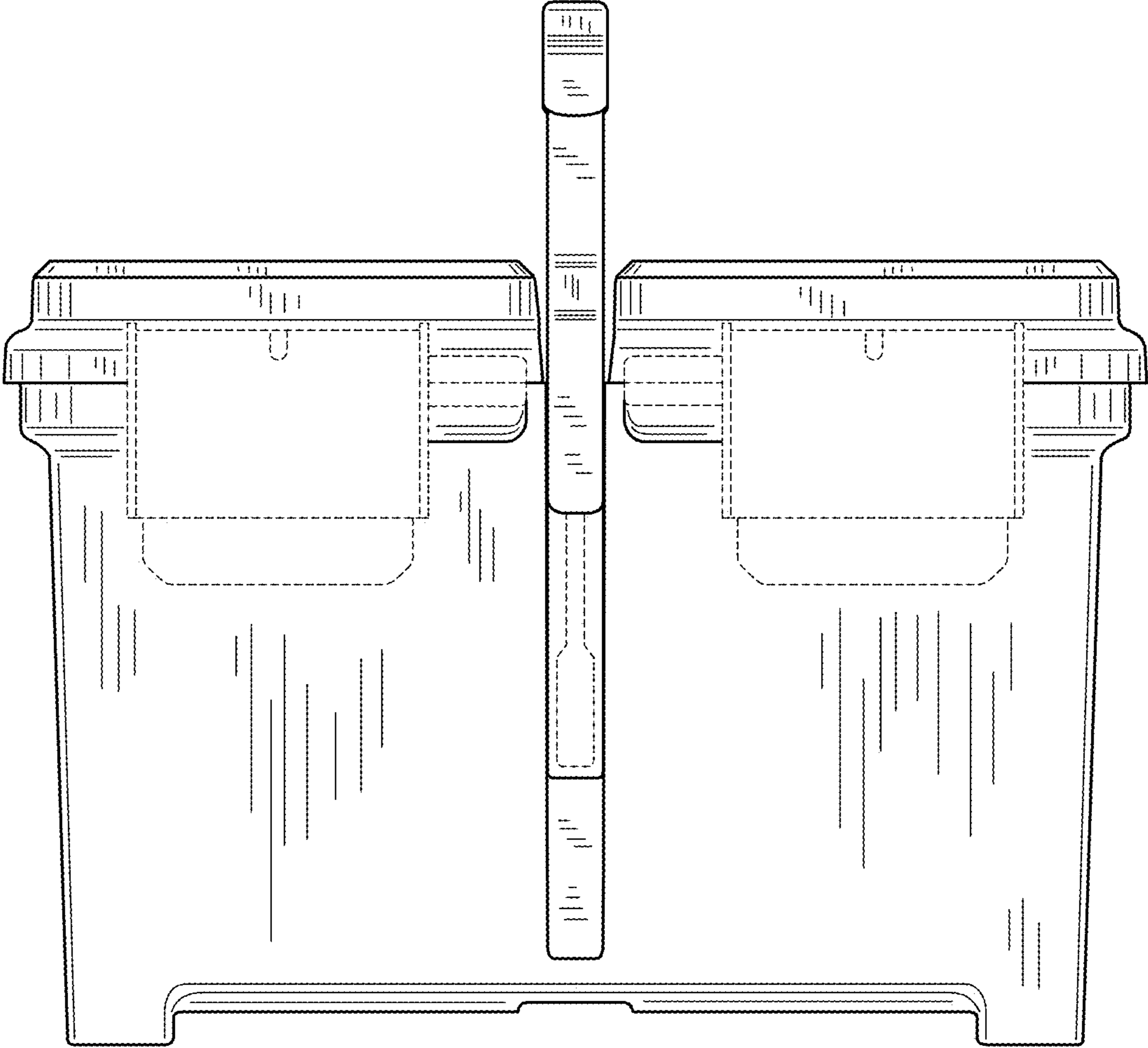


FIG.3

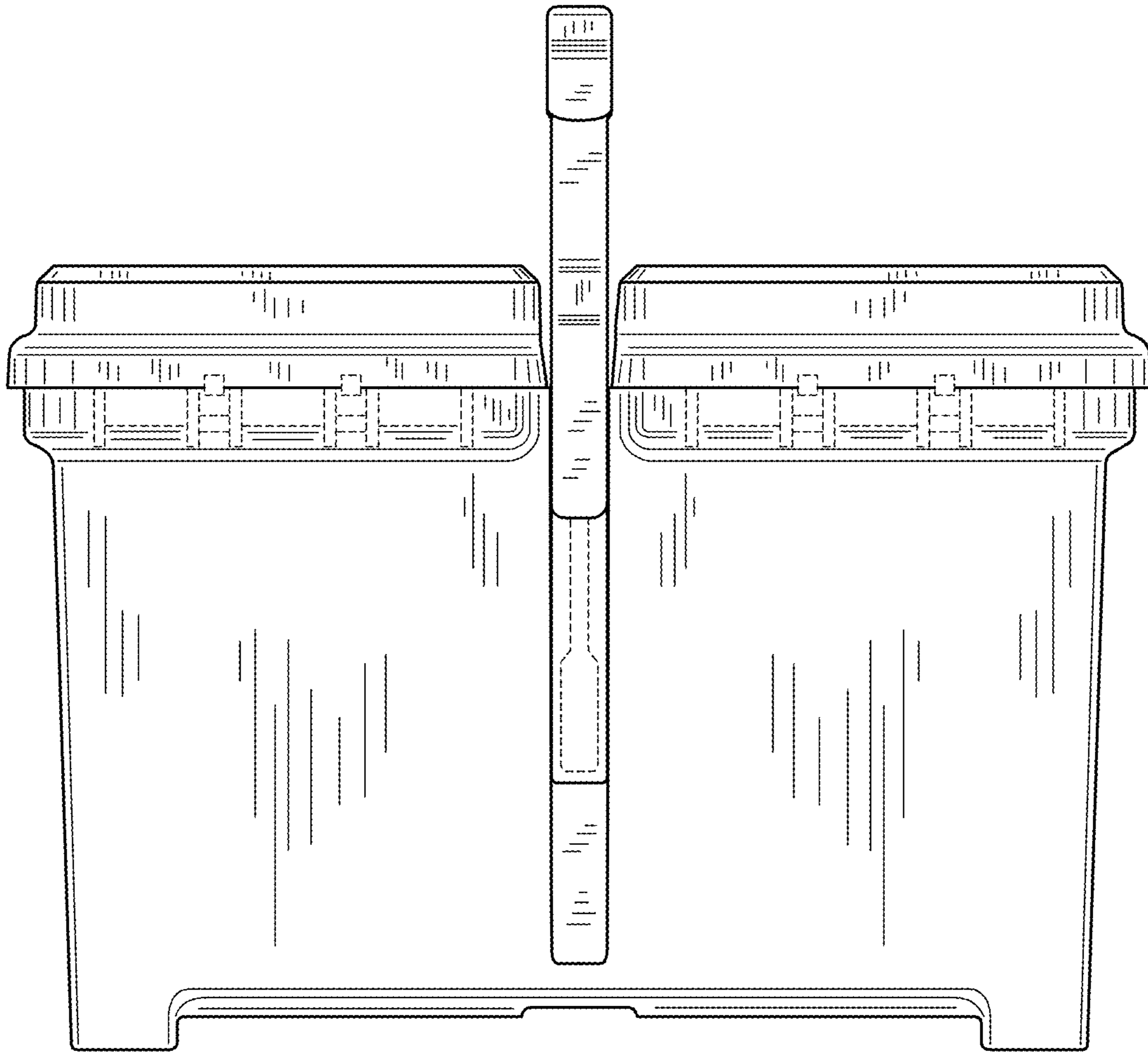


FIG.4

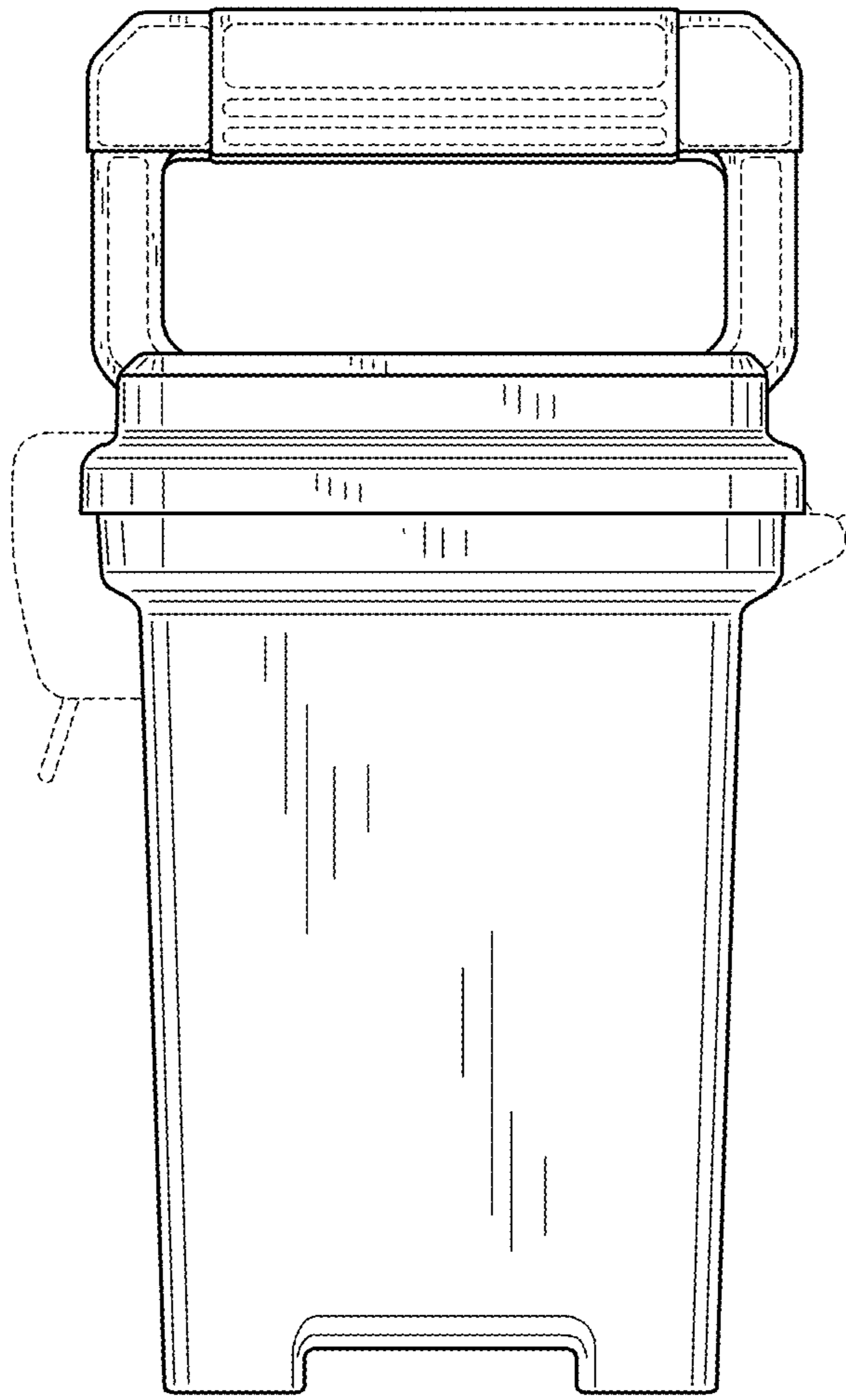


FIG.5

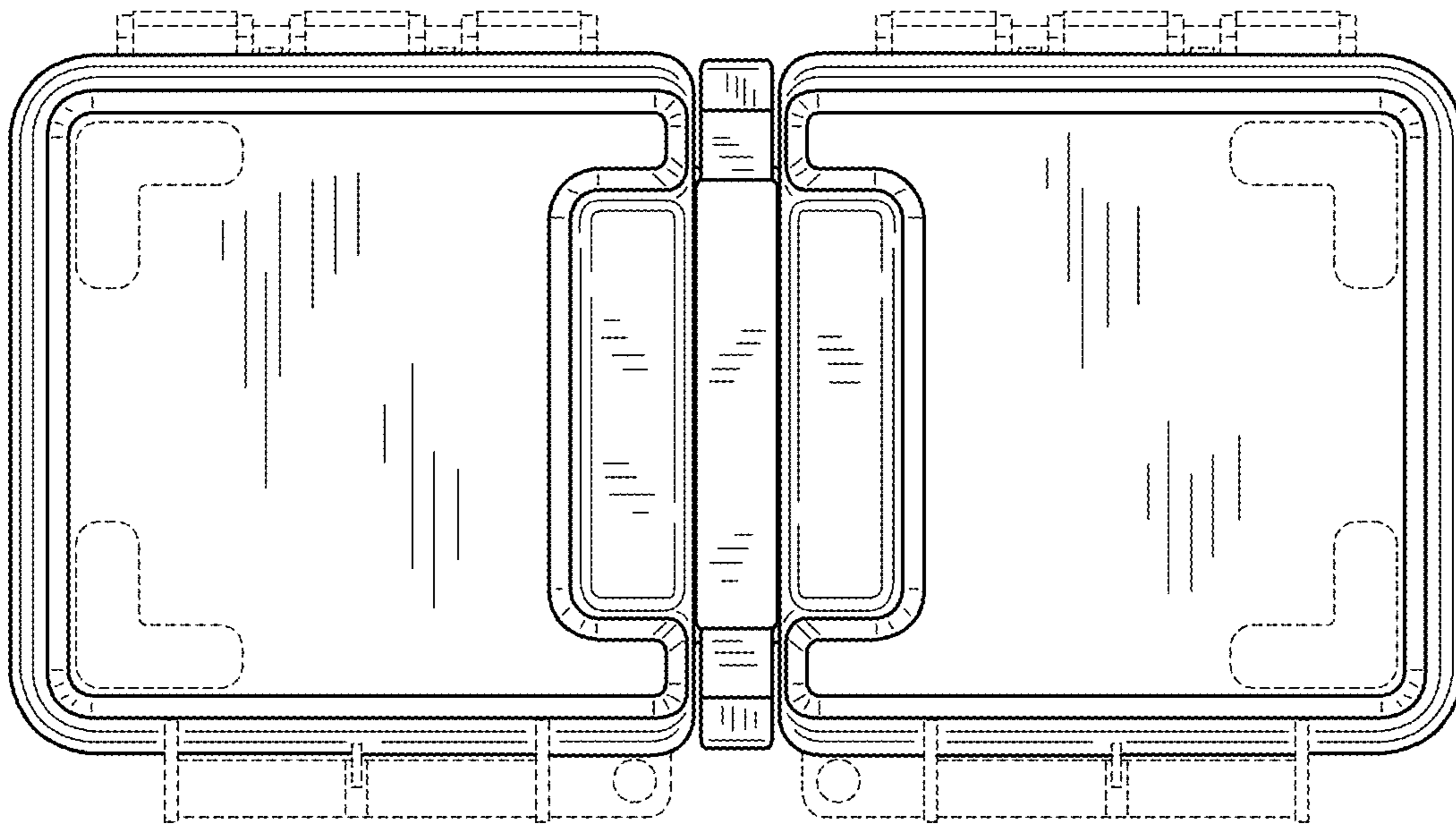


FIG.6

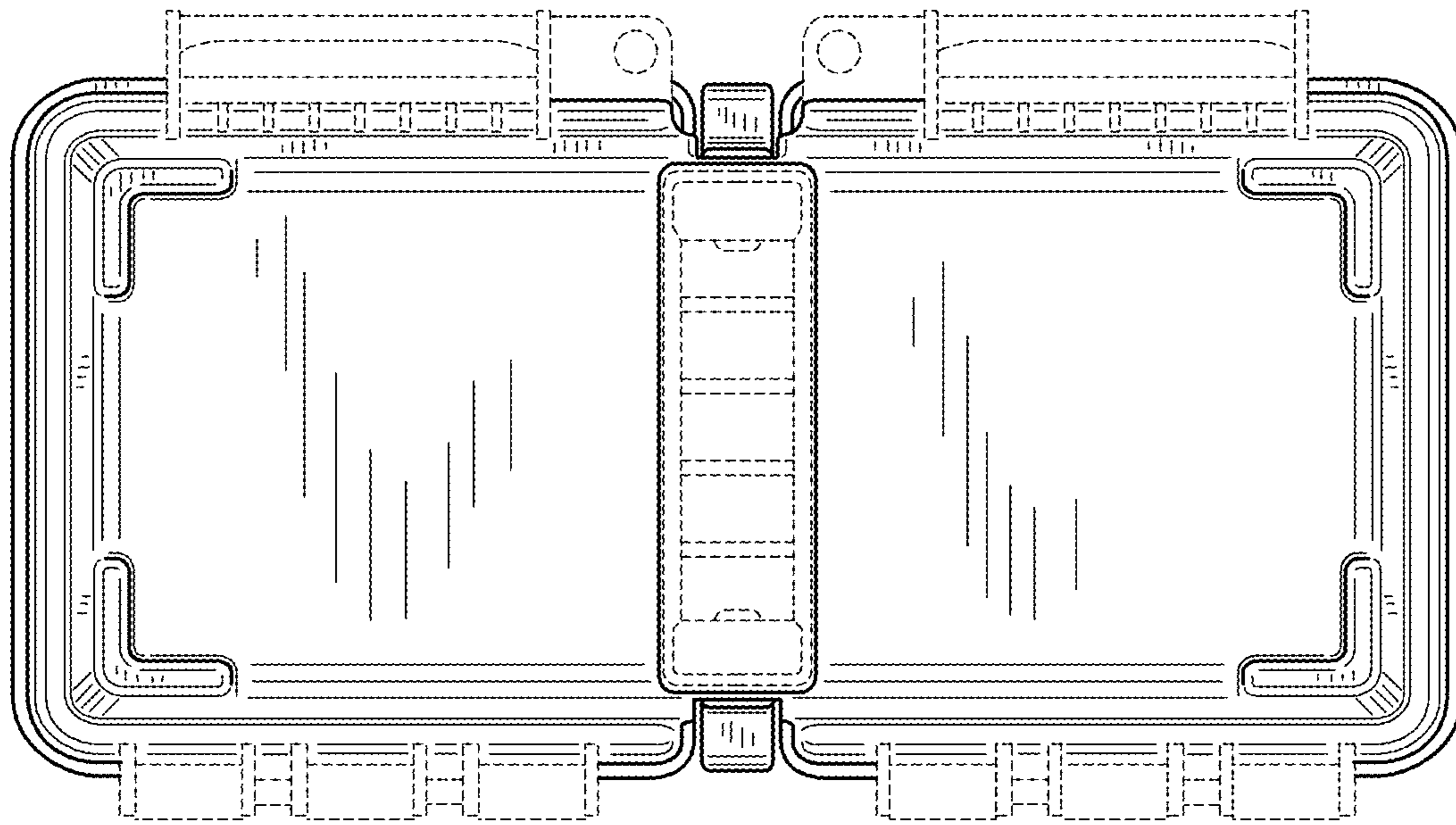


FIG.7

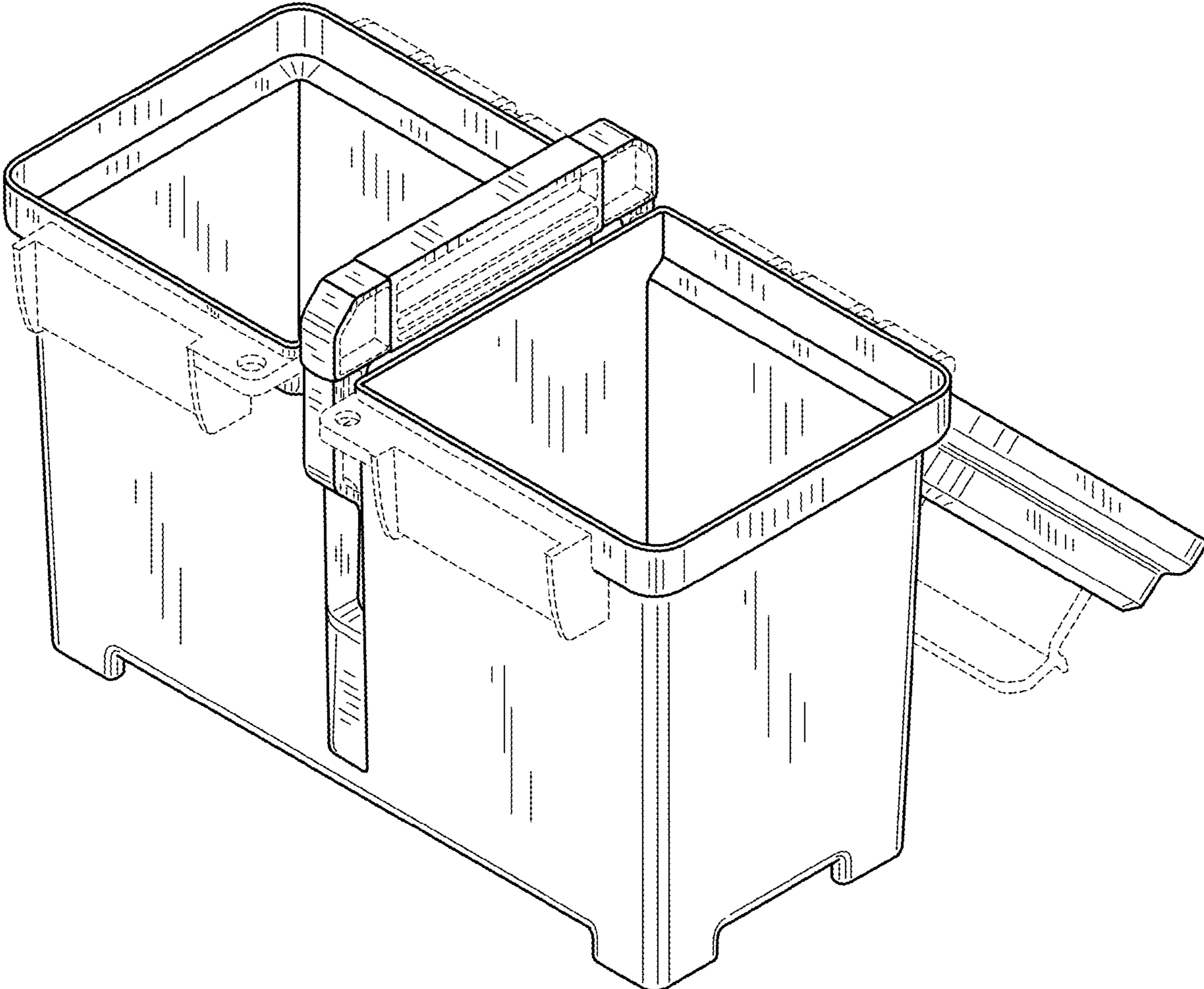


FIG.8

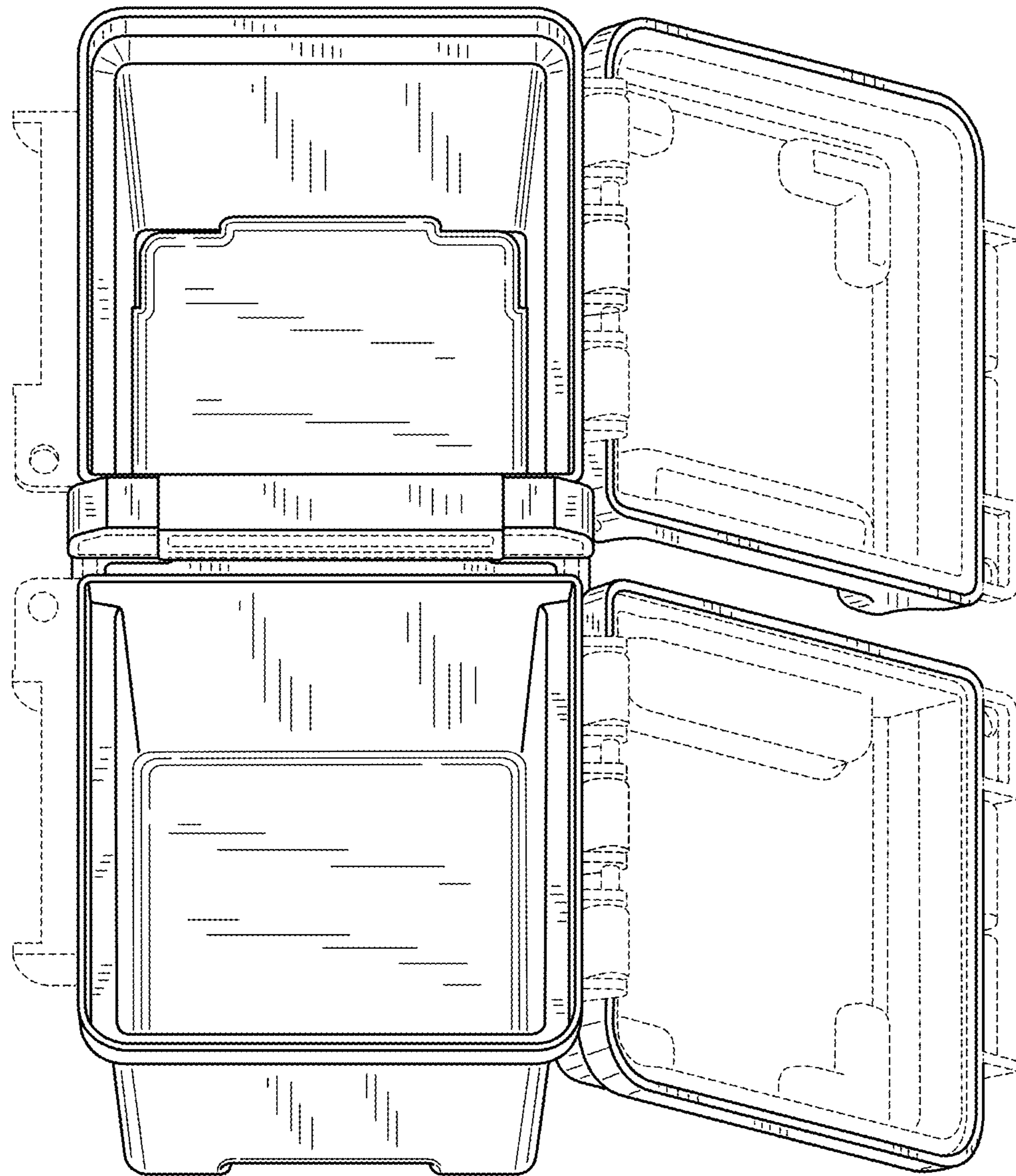


FIG.9

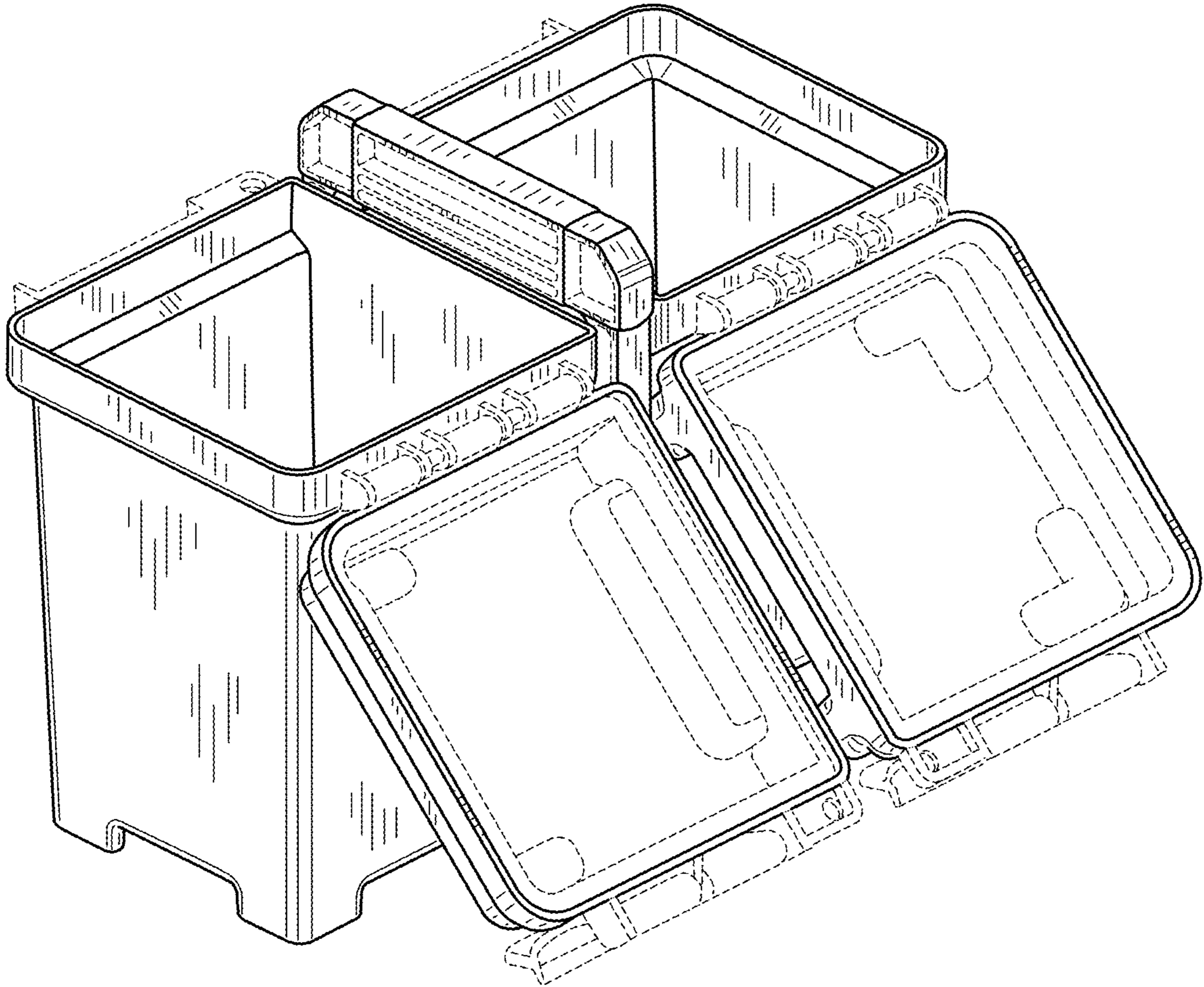


FIG.10