



US00D920663S

(12) **United States Design Patent**  
**Daubmeier**

(10) **Patent No.:** **US D920,663 S**

(45) **Date of Patent:** **\*\* Jun. 1, 2021**

(54) **BAG**

(71) Applicant: **LOUIS VUITTON MALLETIER,**  
Paris (FR)

(72) Inventor: **Sigrid Daubmeier,** Paris (FR)

(73) Assignee: **Louis Vuitton Malletier,** Paris (FR)

(\*\*) Term: **15 Years**

(21) Appl. No.: **29/698,183**

(22) Filed: **Jul. 15, 2019**

(30) **Foreign Application Priority Data**

Jan. 16, 2019 (FR) ..... 2019-0216

(51) **LOC (13) Cl.** ..... **03-01**

(52) **U.S. Cl.**  
USPC ..... **D3/242**

(58) **Field of Classification Search**  
USPC ..... D3/232-233, 240-243, 245-246, 276  
CPC ..... A45C 1/024; A45C 3/06; A45C 3/08  
See application file for complete search history.

(56) **References Cited**

**U.S. PATENT DOCUMENTS**

D396,004 S \* 7/1998 Srinual ..... D3/294  
D414,037 S \* 9/1999 Akaike ..... D3/272

D415,614 S \* 10/1999 Akaike ..... D3/272  
D467,423 S \* 12/2002 Wolf ..... D3/276  
D570,114 S \* 6/2008 Netz ..... D3/294  
D643,623 S \* 8/2011 Chin ..... D3/272  
D758,070 S \* 6/2016 Frohlich ..... D3/232  
D815,430 S \* 4/2018 Nair ..... D3/242

\* cited by examiner

*Primary Examiner* — Holly E Thurman

(74) *Attorney, Agent, or Firm* — Fross Zelnick Lehrman  
& Zissu, P.C.; Charles T. J. Weigell, Esq.

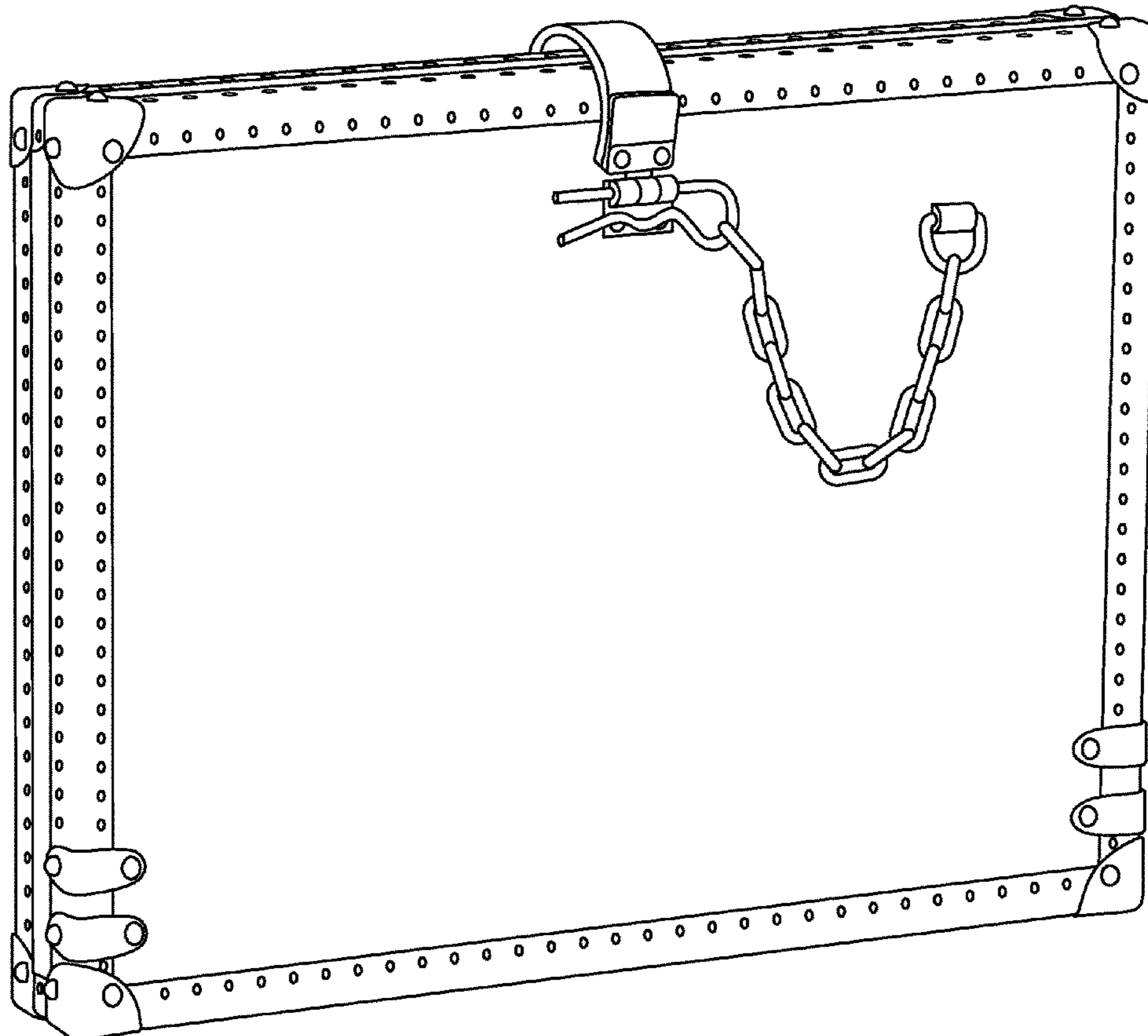
(57) **CLAIM**

The ornamental design for bag, as shown and described.

**DESCRIPTION**

FIG. 1 is a front perspective view of my bag showing my new design;  
FIG. 2 is a front view thereof;  
FIG. 3 is a back view thereof;  
FIG. 4 is a left side view thereof;  
FIG. 5 is a right side view thereof;  
FIG. 6 is a top view thereof; and,  
FIG. 7 is a bottom view thereof.

**1 Claim, 7 Drawing Sheets**



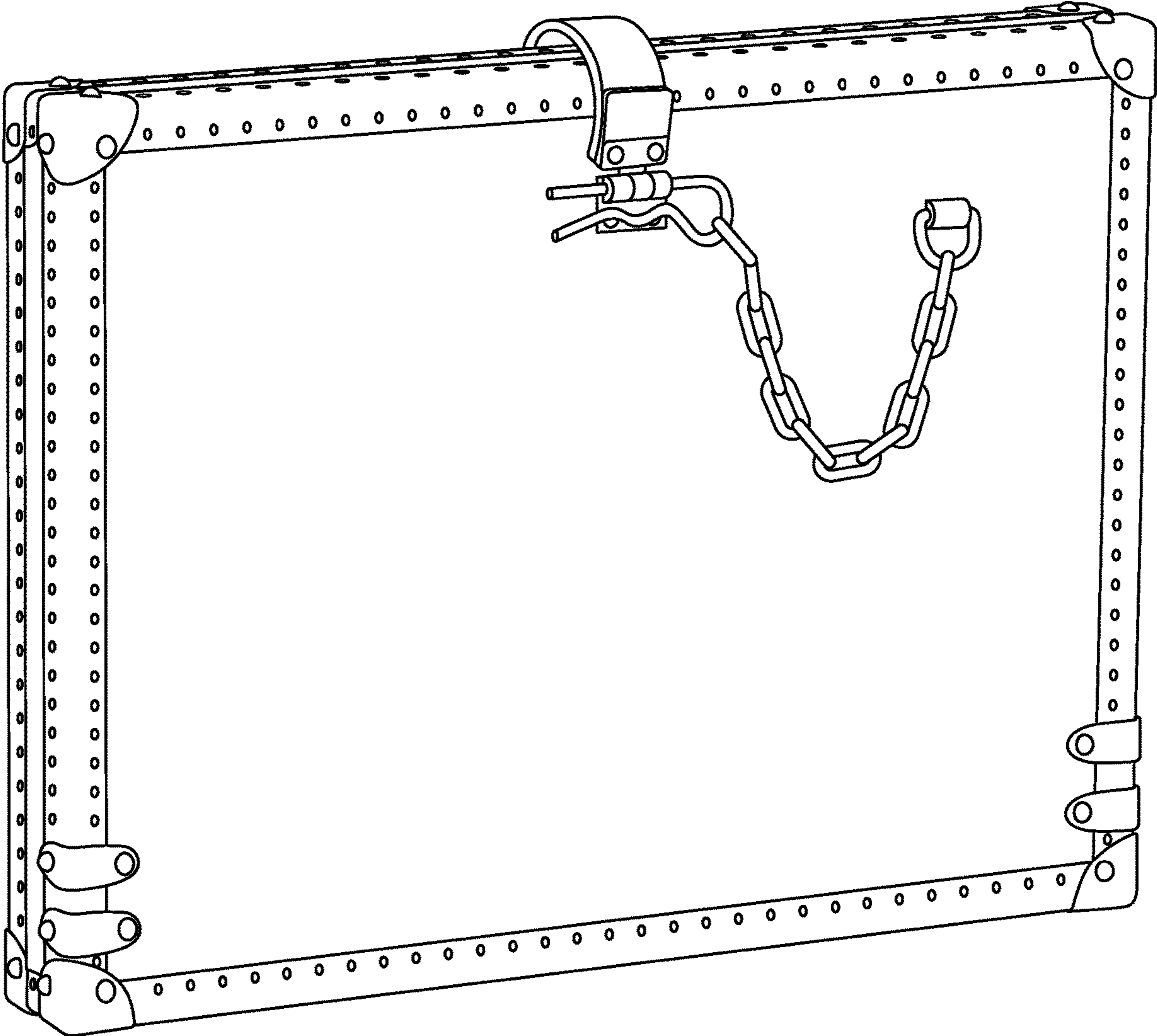


FIG. 1

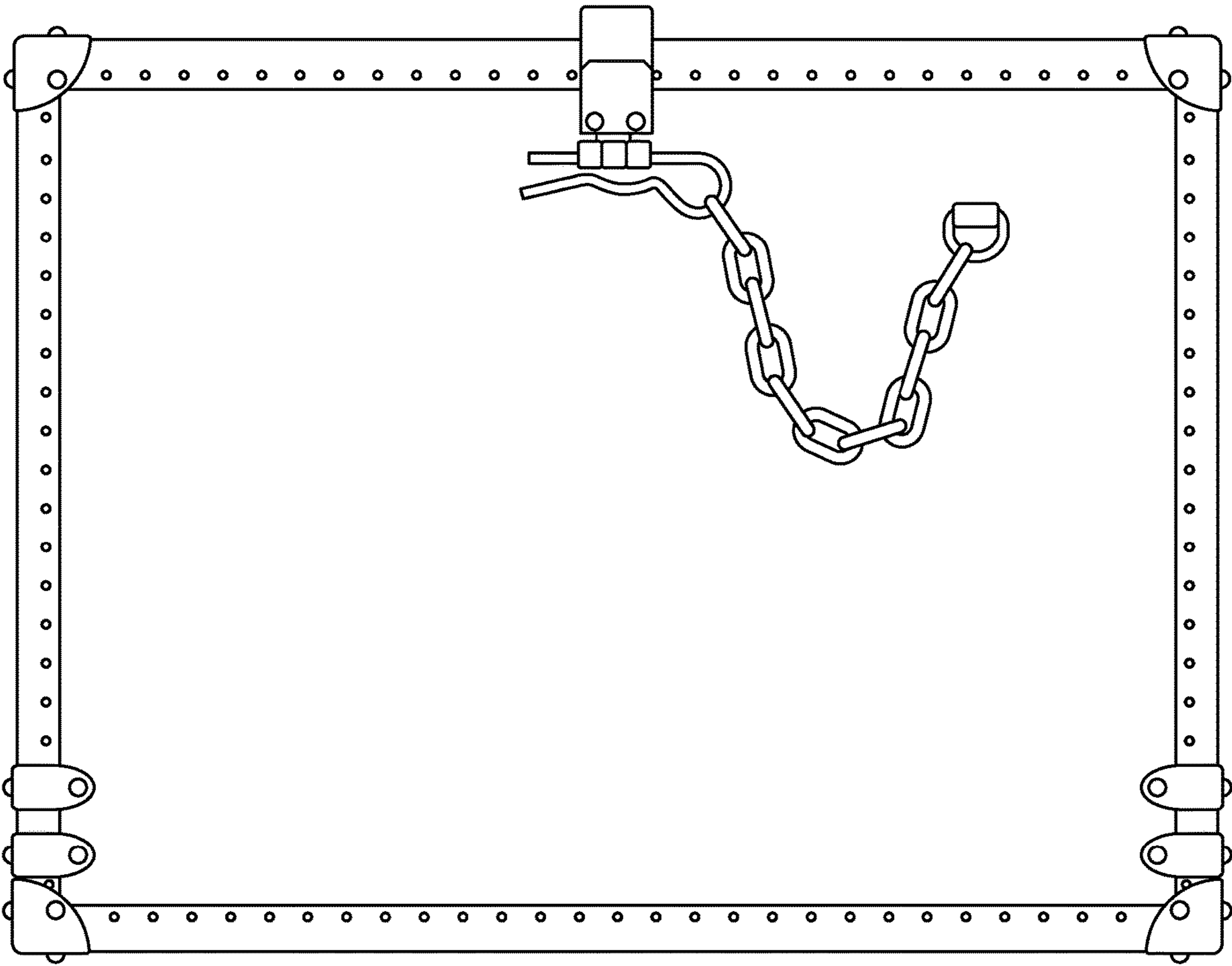


FIG. 2

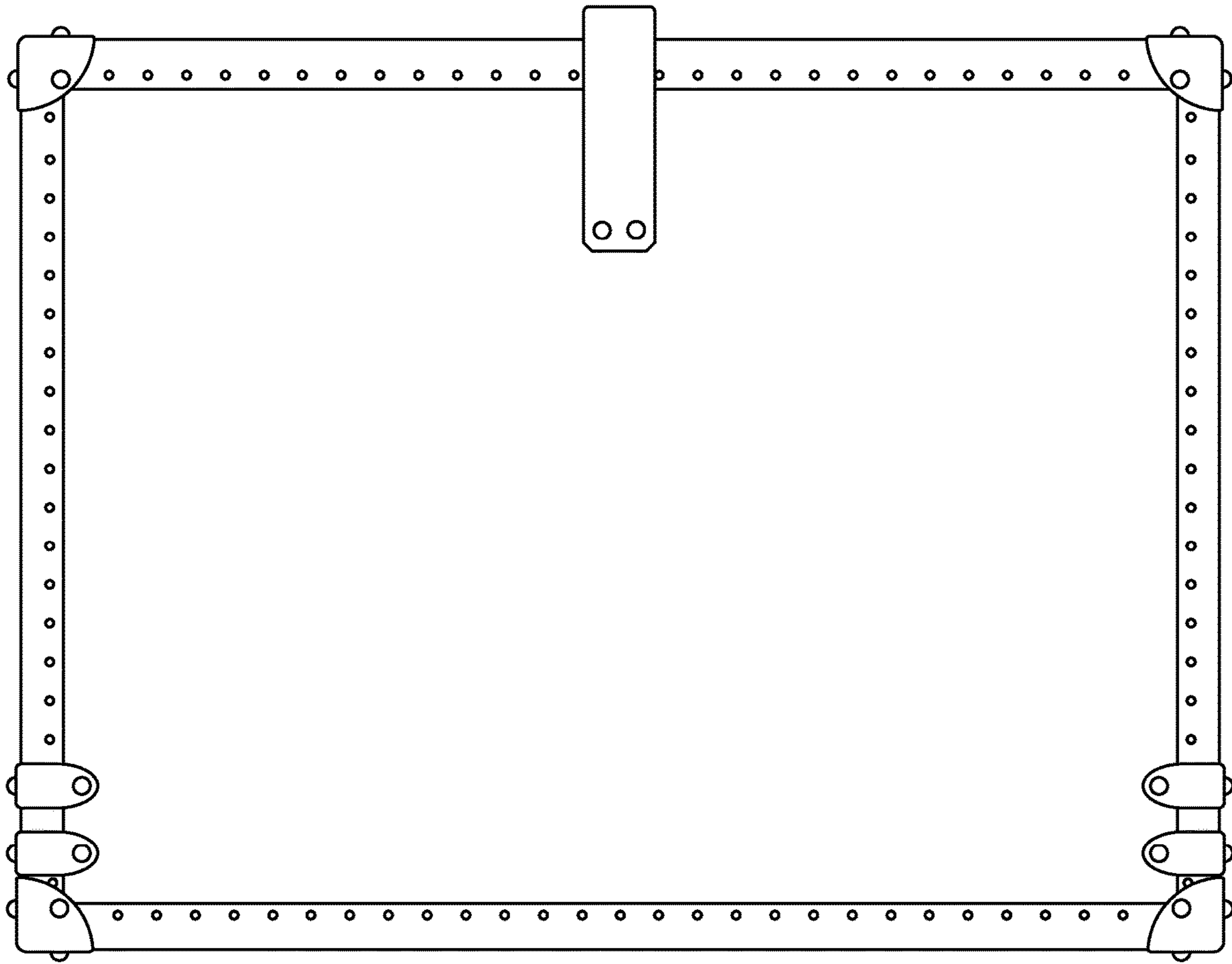


FIG. 3

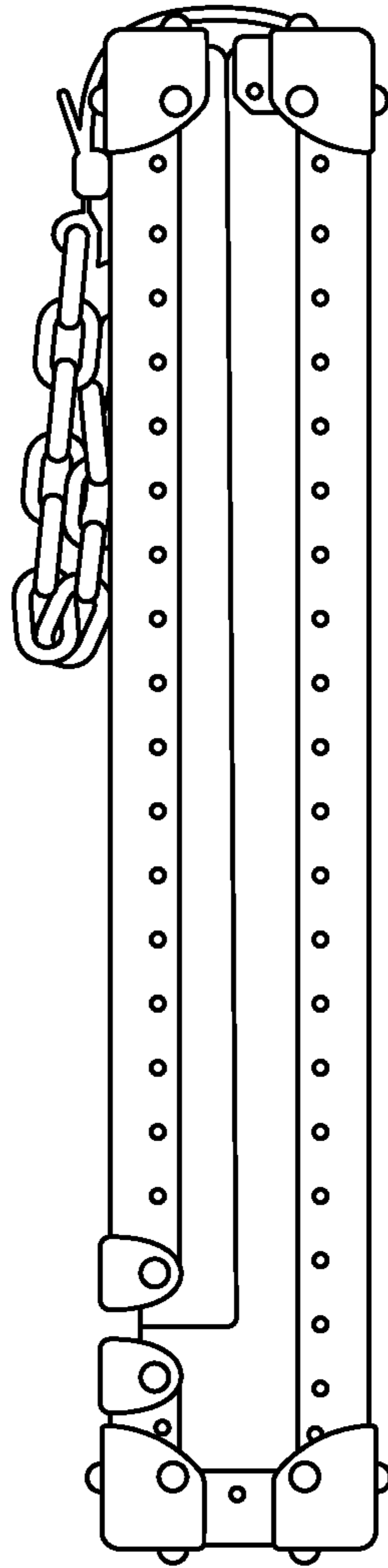


FIG. 4

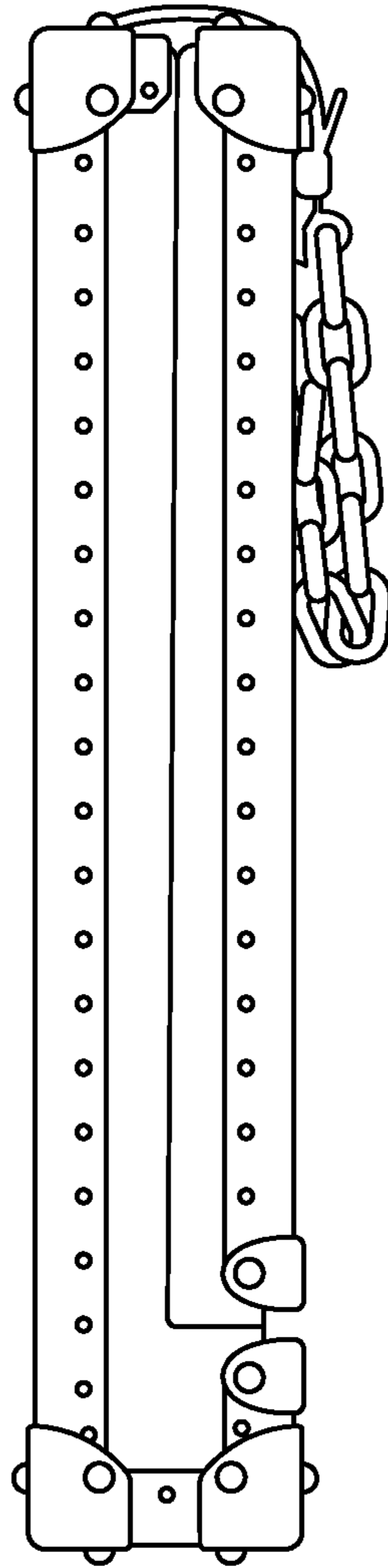


FIG. 5

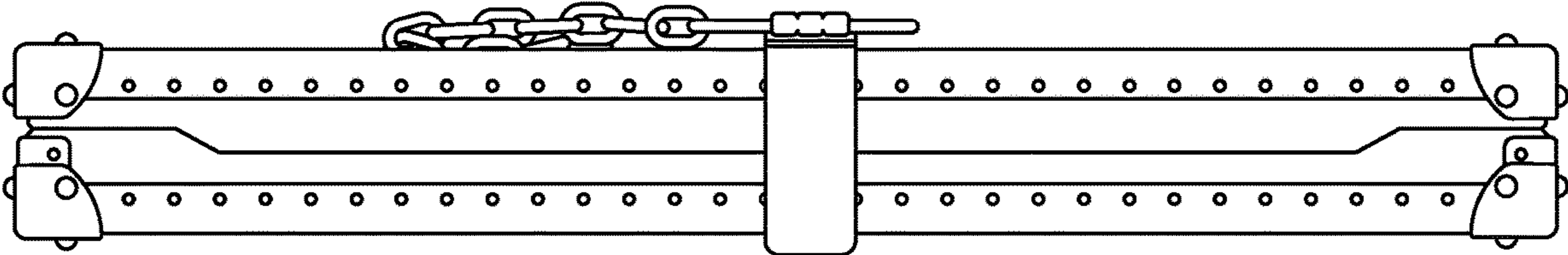


FIG. 6

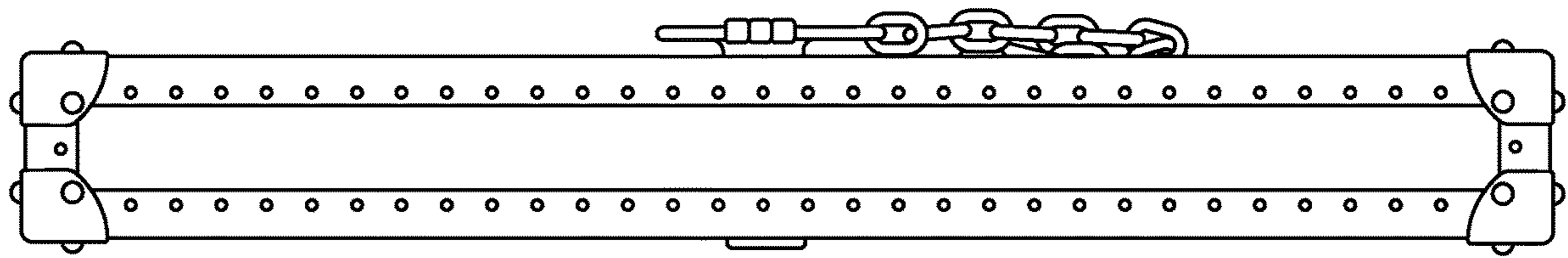


FIG. 7