



US00D920659S

(12) **United States Design Patent** (10) **Patent No.:** **US D920,659 S**  
**Al-Bayati et al.** (45) **Date of Patent:** **\*\* \*Jun. 1, 2021**

(54) **DOSAGE CONTAINER**

(71) Applicant: **Reckitt Benckiser Finish B.V.**,  
Hoofddorp (NL)

(72) Inventors: **Alias Younis Al-Bayati**, Heidelberg  
(DE); **Claudia Schmaelzle**, Heidelberg  
(DE); **Daniel Godfrey**, Cambridge  
(GB); **Scott Virgo**, Cambridge (GB)

(73) Assignee: **RECKITT BENCKISER FINISH  
B.V.**, Hoofddorp (NL)

(\*) Notice: This patent is subject to a terminal dis-  
claimer.

(\*\*) Term: **15 Years**

(21) Appl. No.: **29/707,308**

(22) Filed: **Sep. 27, 2019**

(30) **Foreign Application Priority Data**

Mar. 28, 2019 (EM) ..... 006351656-0004

(51) **LOC (13) Cl.** ..... **03-01**

(52) **U.S. Cl.**  
USPC ..... **D3/203.2**

(58) **Field of Classification Search**  
USPC ..... D9/414, 420, 422, 428, 449, 730, 733;  
D3/203.1, 203.2, 203.3;  
D14/203.1–203.8, 215, 216, 496, 388,  
D14/358; D28/76, 85; D27/186, 187,  
D27/189  
CPC ..... A24F 23/00; A24F 40/42; A24F 15/00;  
A61J 7/0007; A61J 1/03; A61J 1/16;  
B65D 85/60  
See application file for complete search history.

(56) **References Cited**

**U.S. PATENT DOCUMENTS**

D355,359 S \* 2/1995 Herzog ..... D9/422  
D397,865 S \* 9/1998 Lin ..... D3/218

D480,634 S \* 10/2003 Caroan ..... D9/414  
D481,532 S \* 11/2003 Sayers ..... D3/203.1  
D499,653 S \* 12/2004 Karim ..... D19/901  
D522,506 S \* 6/2006 Chen ..... D14/480.1  
D525,120 S \* 7/2006 Maskell ..... D9/428  
D548,585 S \* 8/2007 Okabe ..... D9/420  
D609,670 S \* 2/2010 Finney ..... D14/138 AC  
D609,855 S \* 2/2010 Patel ..... D27/189  
D617,043 S \* 6/2010 Patel ..... D27/189  
D650,268 S \* 12/2011 Gibson ..... D9/428  
D672,642 S \* 12/2012 Supranowicz ..... D9/420  
D674,688 S \* 1/2013 Loftin ..... D9/428

(Continued)

*Primary Examiner* — Wendy L Arminio  
(74) *Attorney, Agent, or Firm* — Troutman Pepper  
Hamilton Sanders LLP; Ryan Schneider; Chris N. Davis

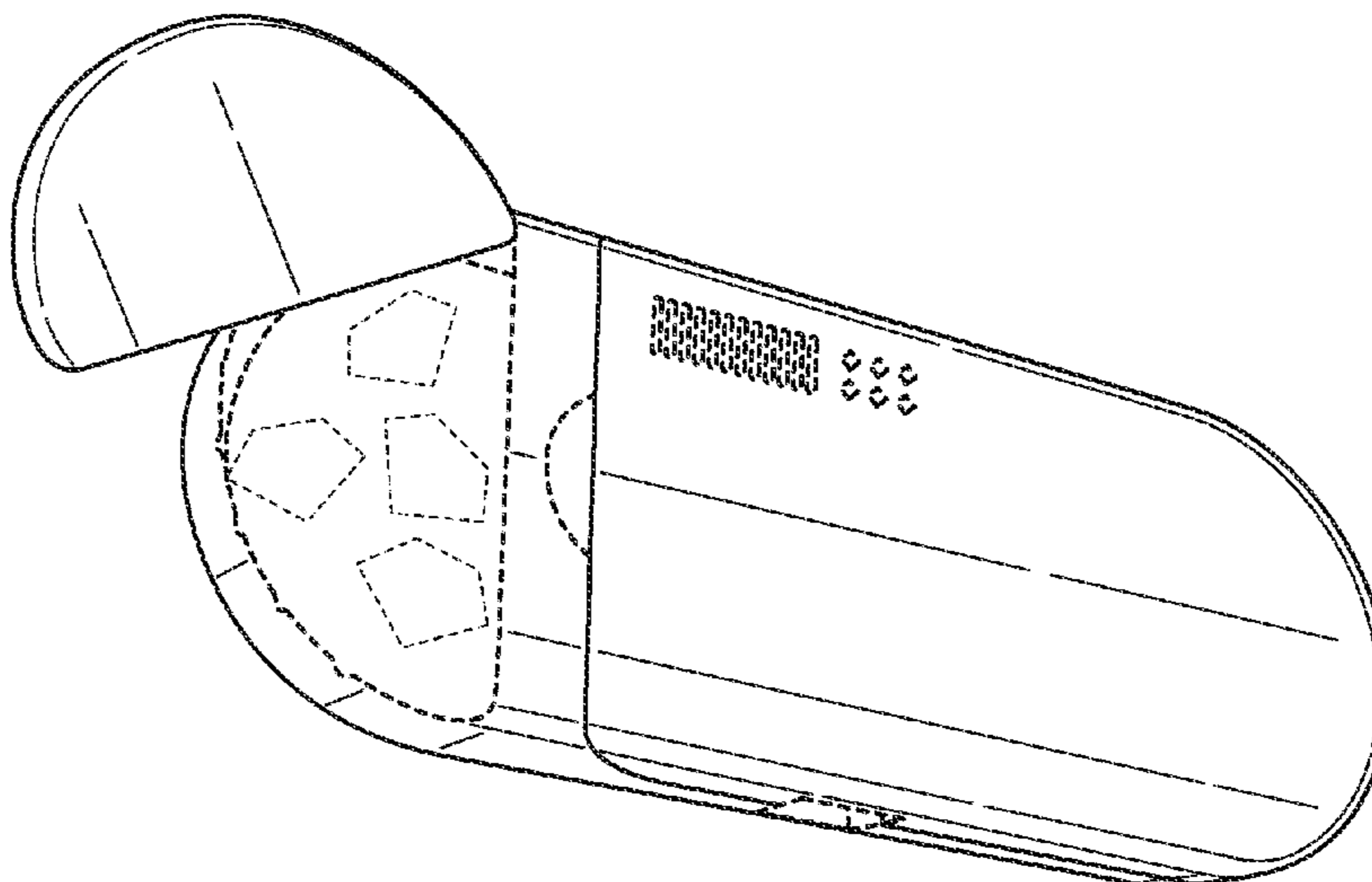
(57) **CLAIM**

The ornamental design for a dosage container, as shown and  
described.

**DESCRIPTION**

FIG. 1 is a perspective view of our new design for a dosage  
container, shown in an open configuration;  
FIG. 2 is a right elevation view thereof, shown in an open  
configuration;  
FIG. 3 is a left side elevation view thereof, shown in an open  
configuration;  
FIG. 4 is a front elevation view thereof, shown in an open  
configuration;  
FIG. 5 is a rear side elevation view thereof, shown in an open  
configuration;  
FIG. 6 is a top plan view thereof, shown in an open  
configuration; and,  
FIG. 7 is a bottom plan view thereof, shown in an open  
configuration.  
The broken lines in the drawings showing the dosage  
container illustrate the portions of the dosage container that  
form no part of the claimed design.

**1 Claim, 3 Drawing Sheets**



(56)

**References Cited**

U.S. PATENT DOCUMENTS

D688,938	S	*	9/2013	Bailey .....	D9/428
D689,999	S	*	9/2013	Viala .....	D23/366
D756,681	S	*	5/2016	MacVittie .....	D6/515
D777,331	S	*	1/2017	Jayalath .....	D24/186
D808,791	S	*	1/2018	Johnston .....	D9/420
D868,136	S	*	11/2019	Tadmor .....	D16/237
D871,055	S	*	12/2019	Fornarelli .....	D3/203.3
D886,181	S	*	6/2020	Lu .....	D16/237
D887,703	S	*	6/2020	Charm .....	D3/203.3

\* cited by examiner

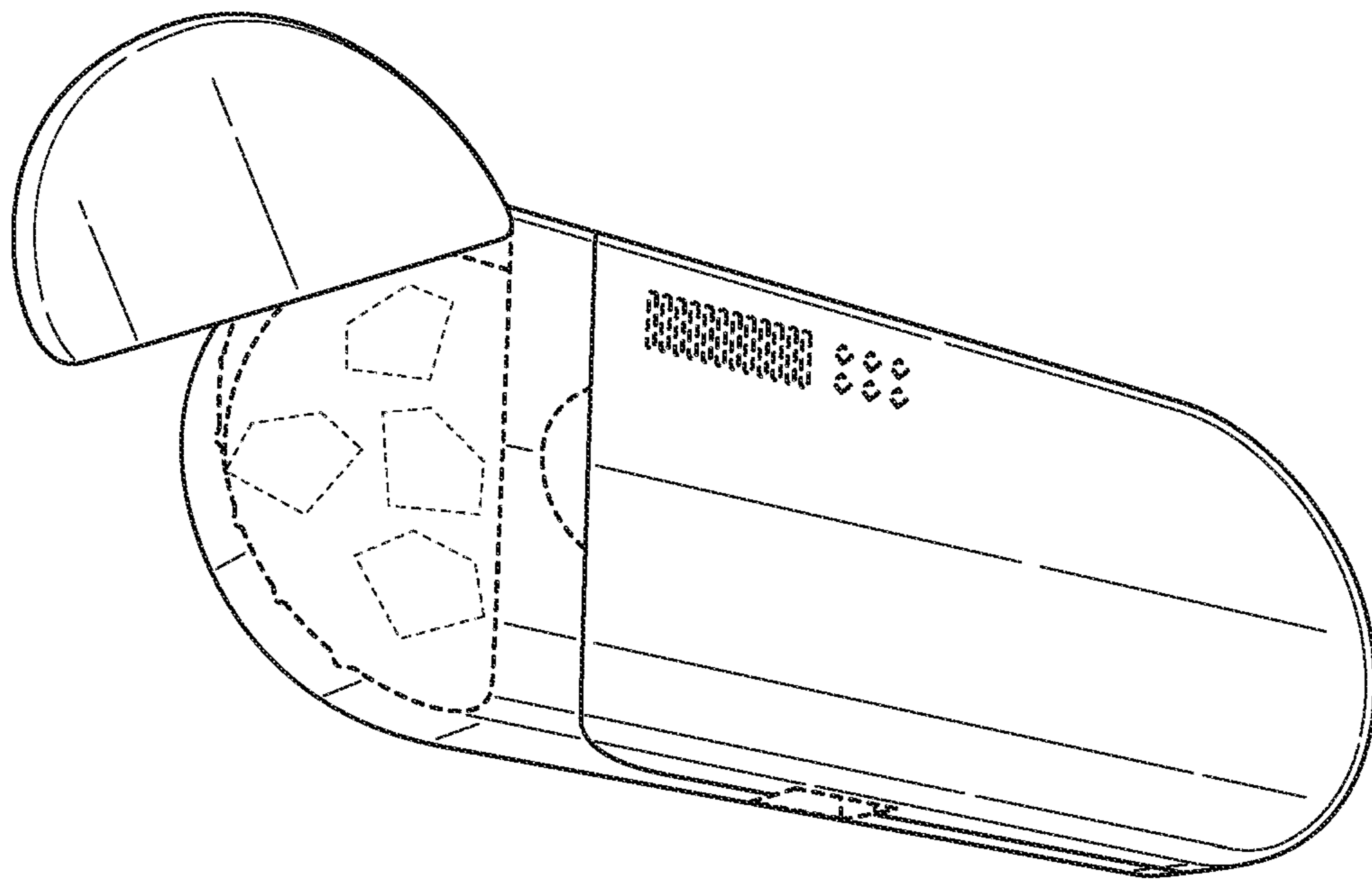


Fig. 1

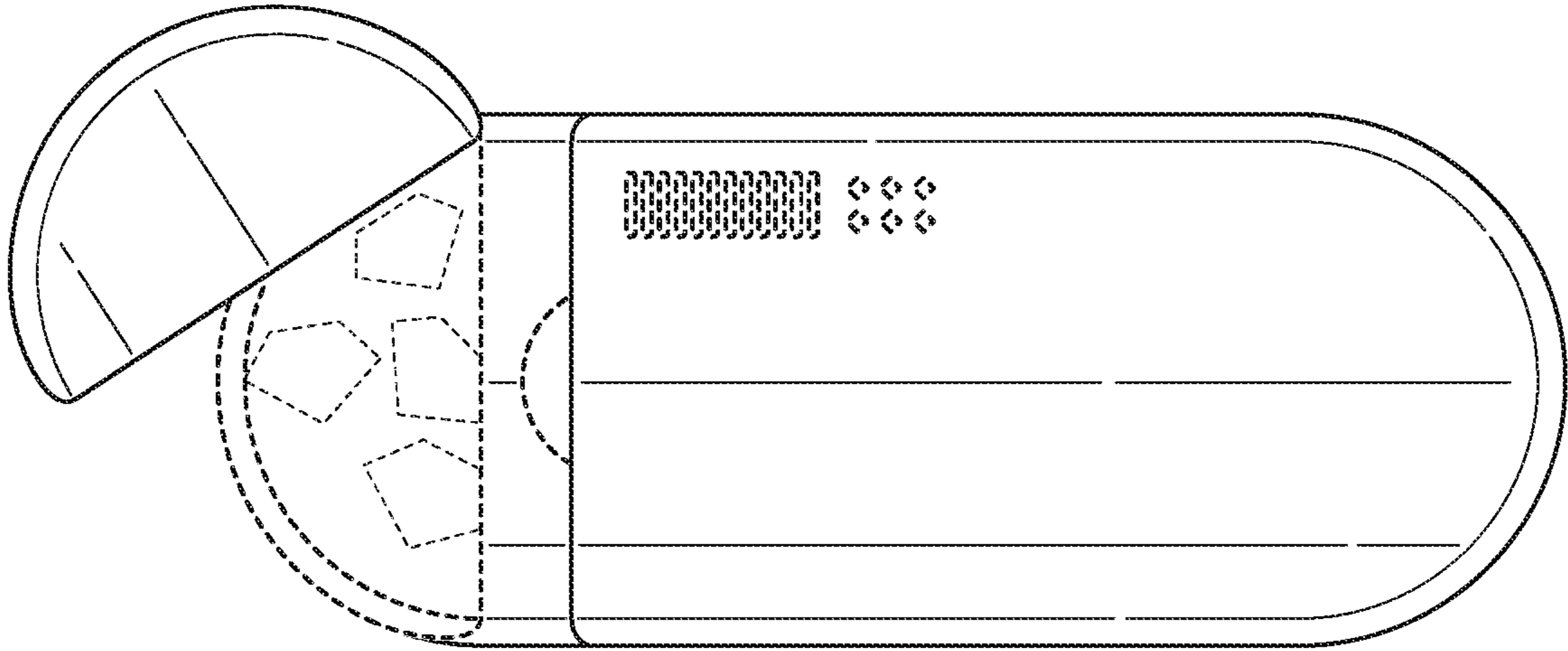


Fig. 2

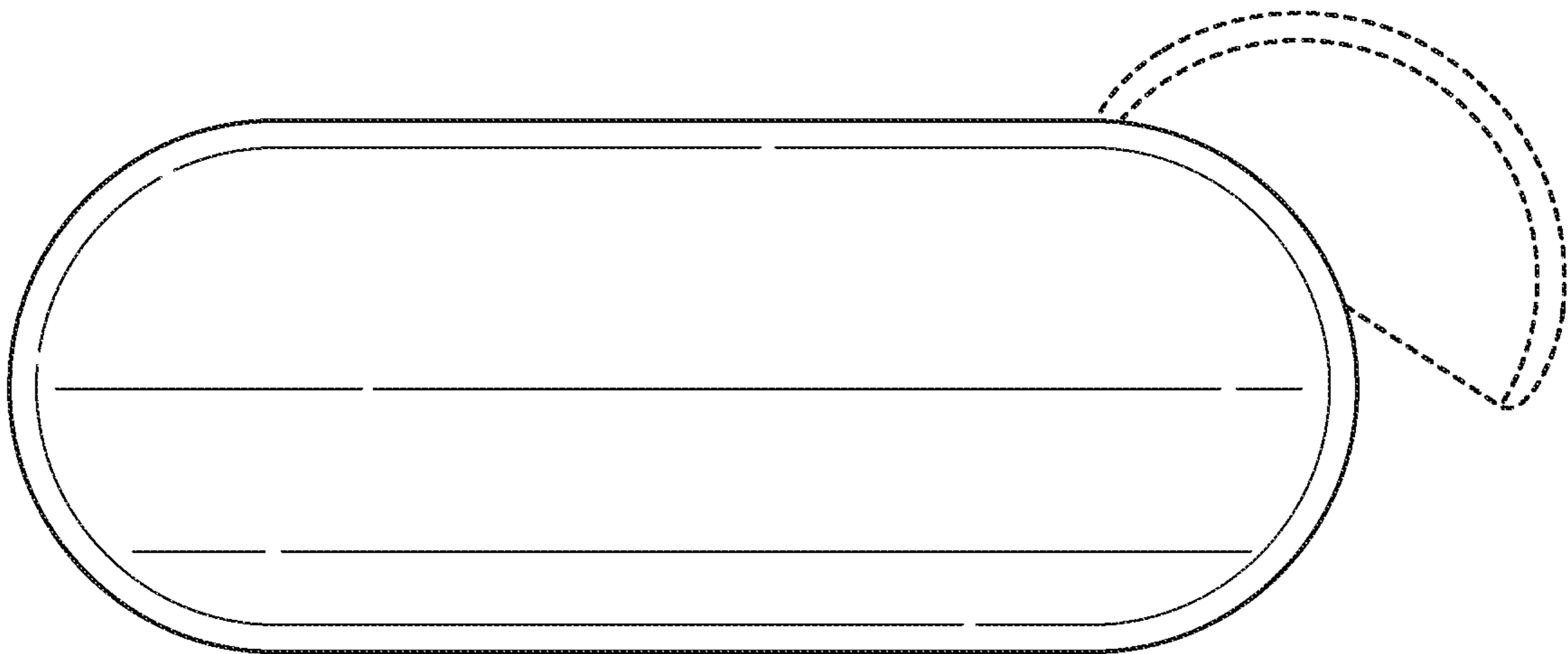


Fig. 3

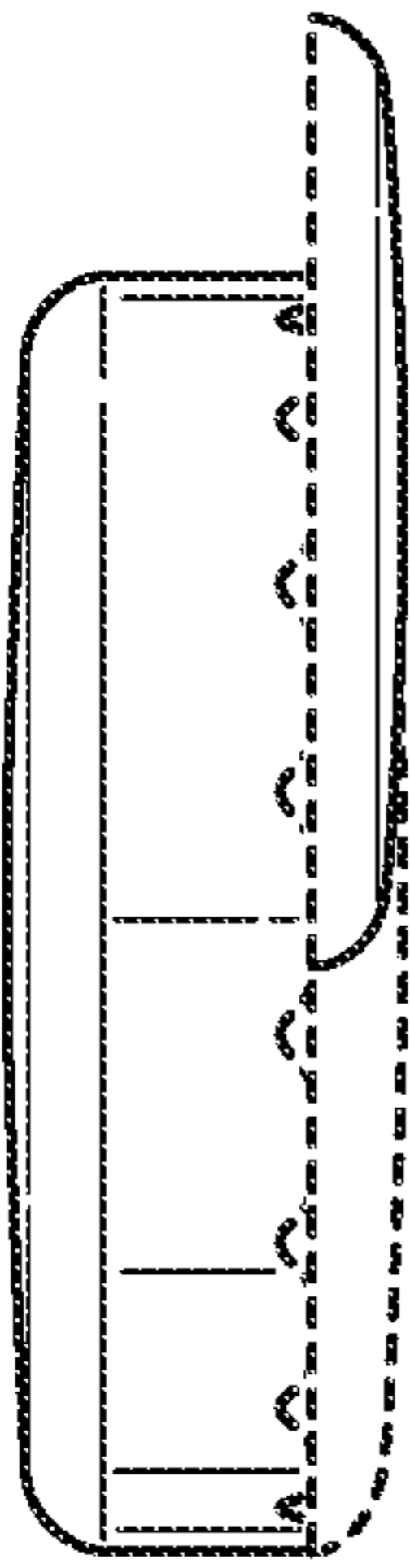


Fig. 4



Fig. 5



Fig. 6

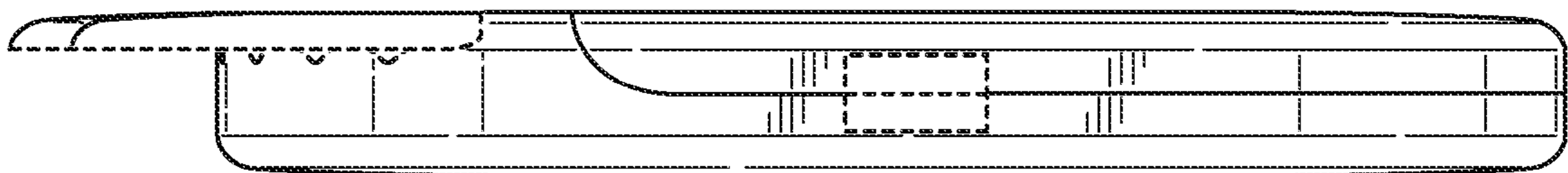


Fig. 7