



US00D920657S

(12) **United States Design Patent**
Tayebi et al.

(10) **Patent No.:** **US D920,657 S**
(45) **Date of Patent:** **** Jun. 1, 2021**

(54) **MODULAR UMBRELLA STAND**
(71) Applicants: **Emily Isooda Tayebi**, La Jolla, CA
(US); **Sean Tayebi**, La Jolla, CA (US)
(72) Inventors: **Emily Isooda Tayebi**, La Jolla, CA
(US); **Sean Tayebi**, La Jolla, CA (US)
(**) Term: **15 Years**
(21) Appl. No.: **29/762,655**
(22) Filed: **Dec. 17, 2020**

Related U.S. Application Data

(63) Continuation of application No. 29/672,148, filed on
Dec. 3, 2018.
(51) **LOC (13) Cl.** **03-03**
(52) **U.S. Cl.**
USPC **D3/10**
(58) **Field of Classification Search**
USPC D3/10, 17; D8/354, 364, 382; D9/455
CPC A47B 25/28; A47G 25/12
See application file for complete search history.

References Cited

(56) **U.S. PATENT DOCUMENTS**
927,914 A * 7/1909 Winkelman et al. .. A45B 25/28
135/48
980,849 A * 1/1911 Sutlive et al. A45B 25/18
135/33.6
1,258,518 A * 3/1918 Ankovitz et al. A47G 25/12
211/62
1,351,007 A * 8/1920 Shephard A47G 25/12
248/524
1,392,120 A * 9/1921 Cooper A47G 25/12
211/62
D107,326 S * 12/1937 Talamantes et al. D3/17
2,227,113 A * 12/1940 Talamantes A45B 9/00
135/77

2,301,380 A * 11/1942 De Lamater A47G 25/12
135/48
2,334,596 A * 11/1943 Bardy A45B 25/28
135/48
2,753,880 A * 7/1956 Garcia A45B 25/28
135/48
2,808,066 A * 10/1957 Pugliese A45B 25/28
135/48
2,838,058 A * 6/1958 Foltis A45B 25/28
135/48
3,091,249 A * 5/1963 O'Neil A45B 1/00
135/16
3,136,426 A * 6/1964 Sakuma A47G 25/12
211/62
3,392,946 A * 7/1968 Stromberg A45B 1/00
248/171
3,747,615 A * 7/1973 Wakabayashi A45B 9/00
135/15.1

(Continued)

Primary Examiner — Steven J Czyz
(74) *Attorney, Agent, or Firm* — Barry Choobin; Patent
360

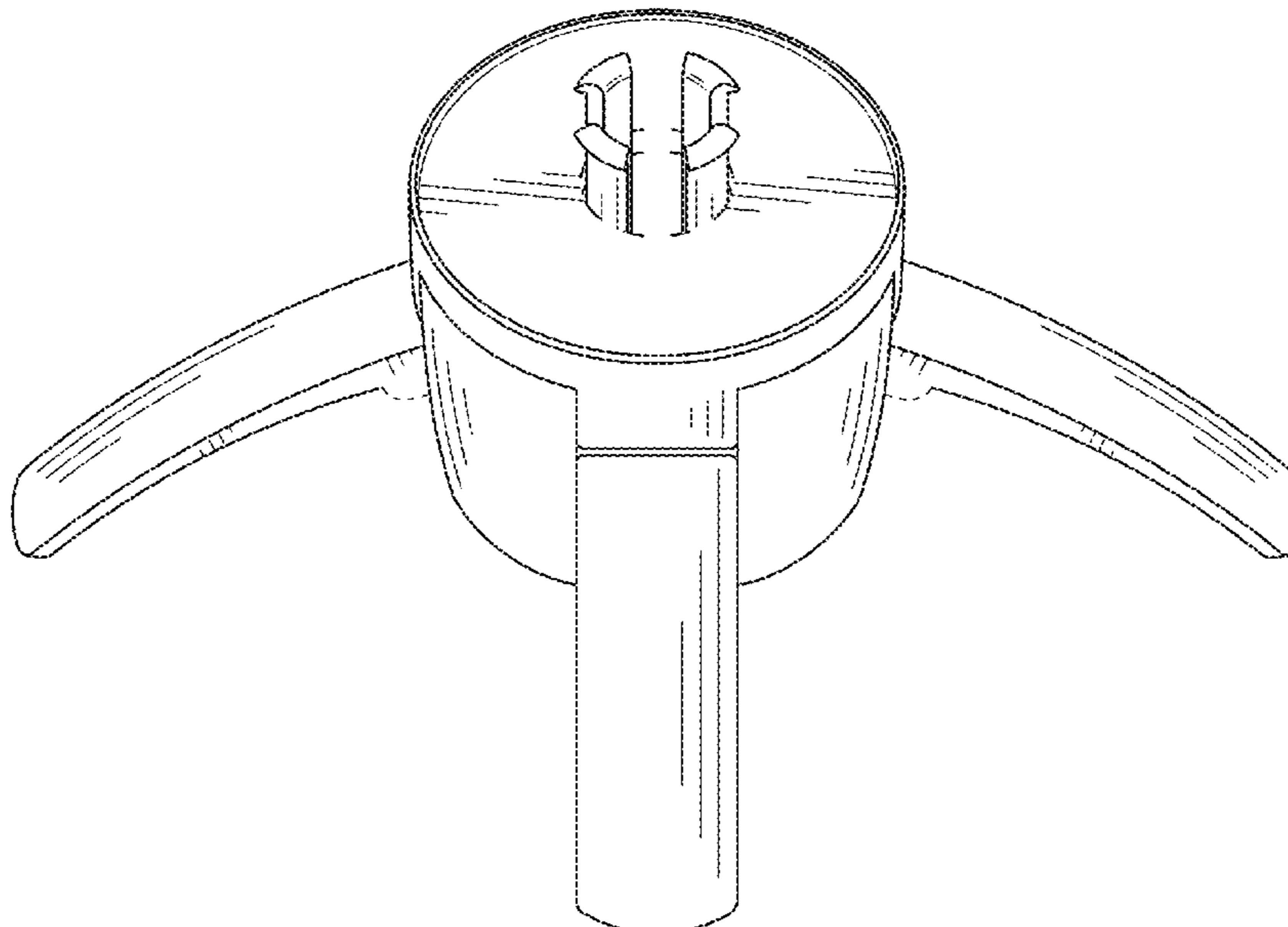
(57) **CLAIM**

An ornamental design for a modular umbrella stand, as
shown and described herein.

DESCRIPTION

FIG. 1 is a perspective view of the modular umbrella stand;
FIG. 2 is a front view thereof;
FIG. 3 is a rear view thereof;
FIG. 4 is a top view thereof;
FIG. 5 is a bottom view thereof;
FIG. 6 is a right-side view thereof;
FIG. 7 is a left-side view thereof; and,
FIG. 8 is a bottom view thereof, in which the bottom cap is
removed to show the central hollow tunnel.
The broken lines depict portions of the article that form no
part of the claimed design.

1 Claim, 8 Drawing Sheets



(56)

References Cited

U.S. PATENT DOCUMENTS

3,809,107 A * 5/1974 Liu A45B 25/28
135/48
4,091,828 A * 5/1978 Jorgensen F16M 13/08
135/66
4,700,848 A * 10/1987 Fujiki A45B 25/28
211/63
4,703,768 A * 11/1987 Lee A45B 25/28
135/48
5,135,017 A * 8/1992 Fujiyama A45B 25/24
135/34.2
5,161,560 A * 11/1992 Sheu A45B 25/28
135/15.1
5,178,175 A * 1/1993 Lin A45B 25/28
135/15.1
5,313,970 A * 5/1994 Hung A45B 25/28
135/15.1
5,381,812 A * 1/1995 Lee A45B 25/28
135/15.1
5,495,866 A * 3/1996 Lu A45B 25/28
135/15.1
5,669,402 A * 9/1997 Sun A45B 25/28
135/33.2
5,823,491 A * 10/1998 Lindsay F16M 11/18
248/169
6,125,867 A * 10/2000 Ishizaka A45B 1/00
135/16

D452,089 S * 12/2001 Fritz D6/680.3
6,889,953 B2 * 5/2005 Harbaugh E04H 12/2246
135/16
7,124,516 B2 * 10/2006 Shiraishi F26B 5/16
34/103
7,451,580 B2 * 11/2008 Kelly E04C 5/20
52/637
D594,737 S * 6/2009 Kelly D6/349
D595,117 S * 6/2009 Sorkin D6/349
D618,453 S * 6/2010 Jiang D3/17
D627,150 S * 11/2010 Chao D3/17
D635,351 S * 4/2011 White D3/17
8,028,490 B2 * 10/2011 Kelly E04C 5/20
52/687
D668,447 S * 10/2012 Lai D3/17
D670,077 S * 11/2012 Jiang D3/17
D721,262 S * 1/2015 Parham D8/354
D736,067 S * 8/2015 Manning D8/354
D743,162 S * 11/2015 Adams D3/10
D864,555 S * 10/2019 Rak-Baede D3/10
2014/0041700 A1 * 2/2014 Wu A45B 9/04
135/17
2015/0257566 A1 * 9/2015 Tayebi A47G 25/12
211/62
2015/0362252 A1 * 12/2015 Cheng F26B 5/08
34/184
2018/0142833 A1 * 5/2018 Sasson F16M 13/022

* cited by examiner

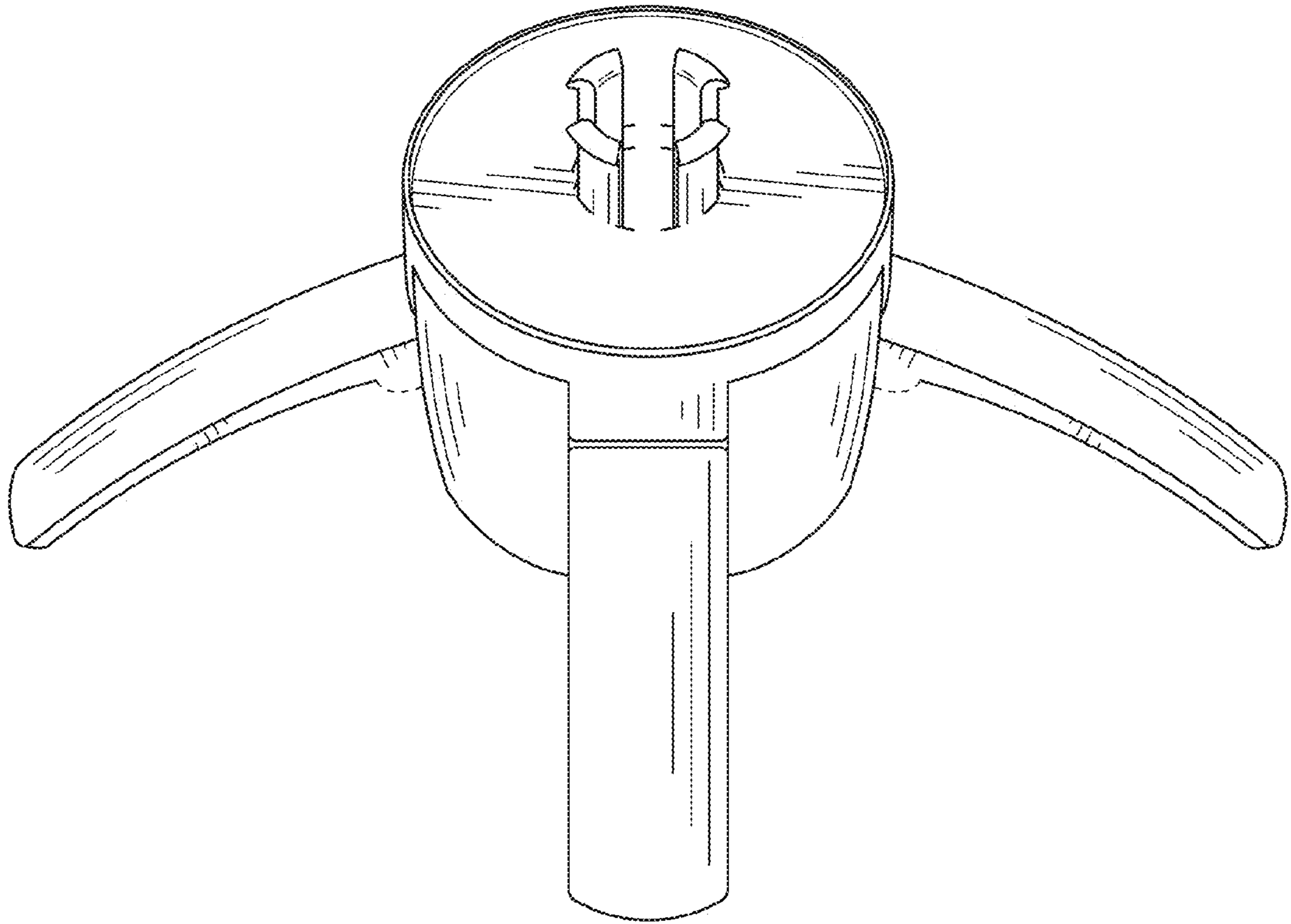


FIG. 1

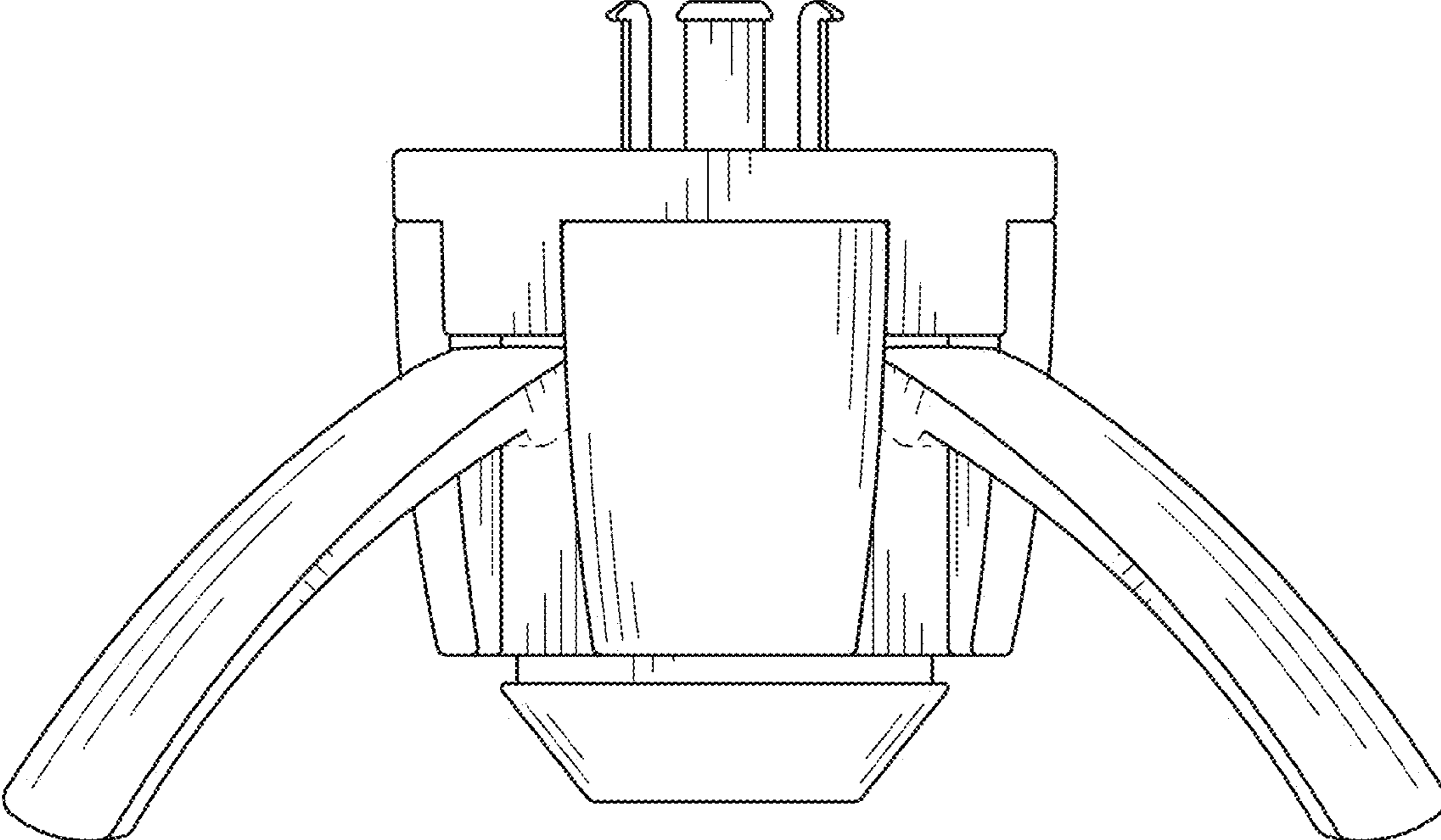


FIG. 2

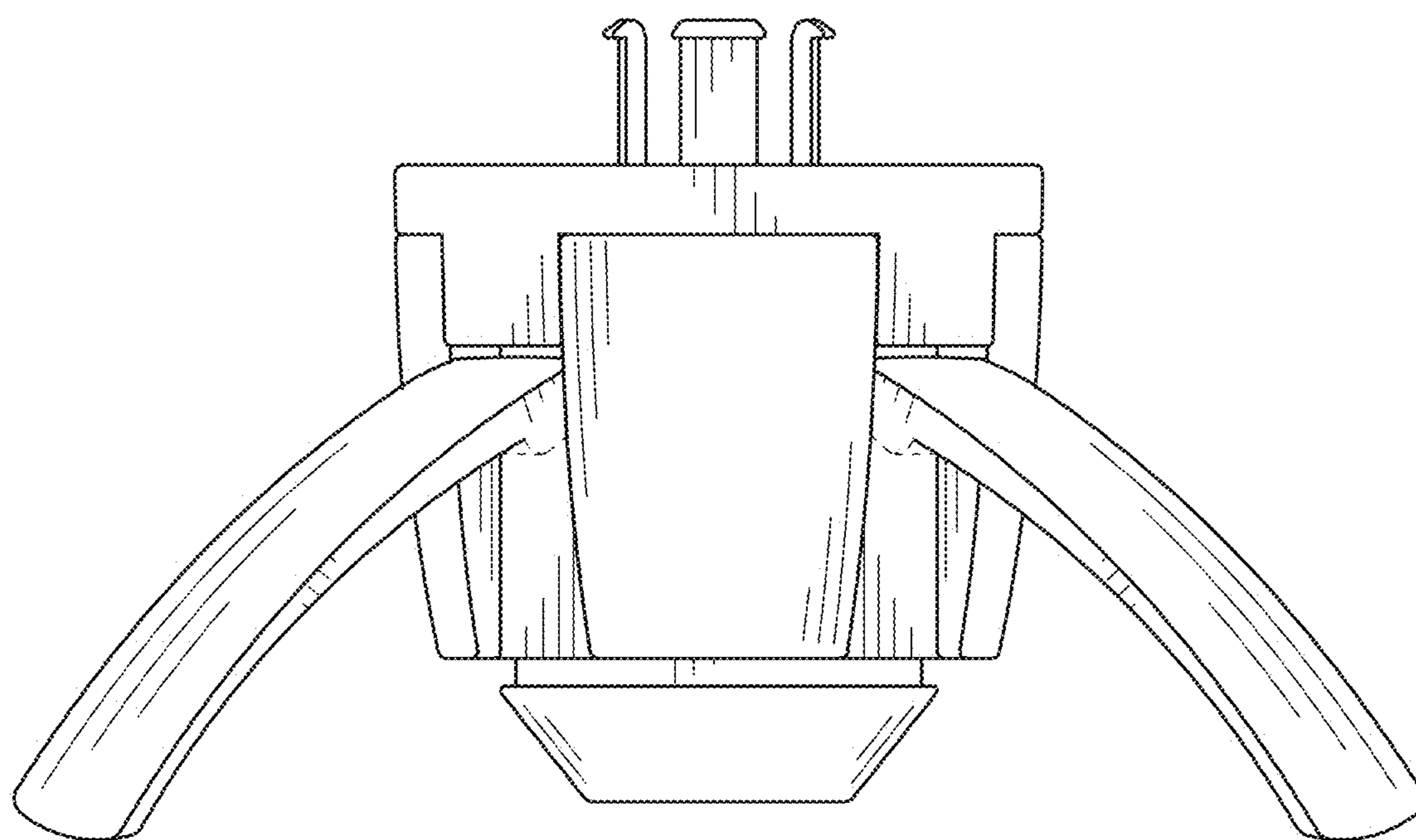


FIG. 3

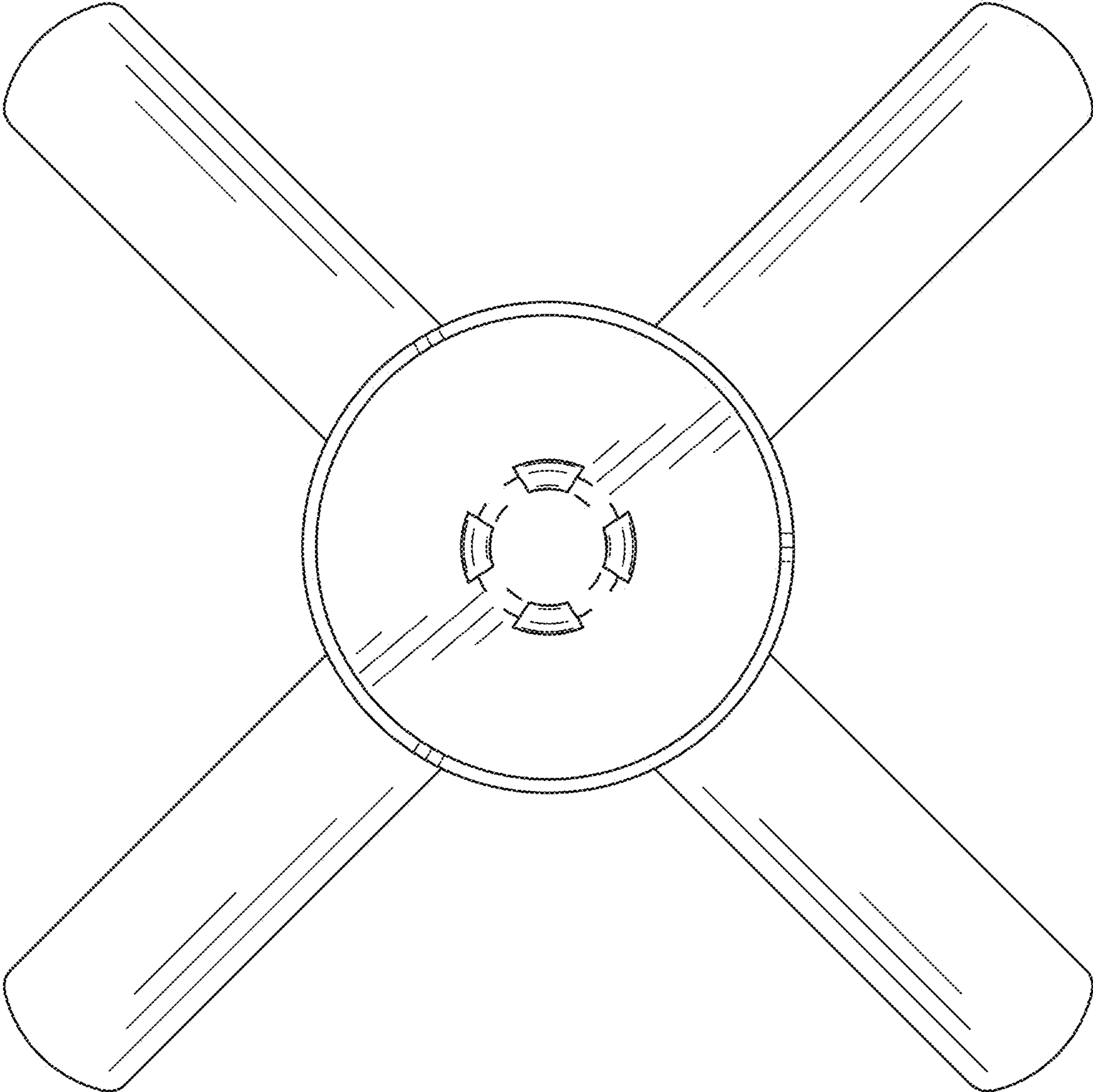


FIG. 4

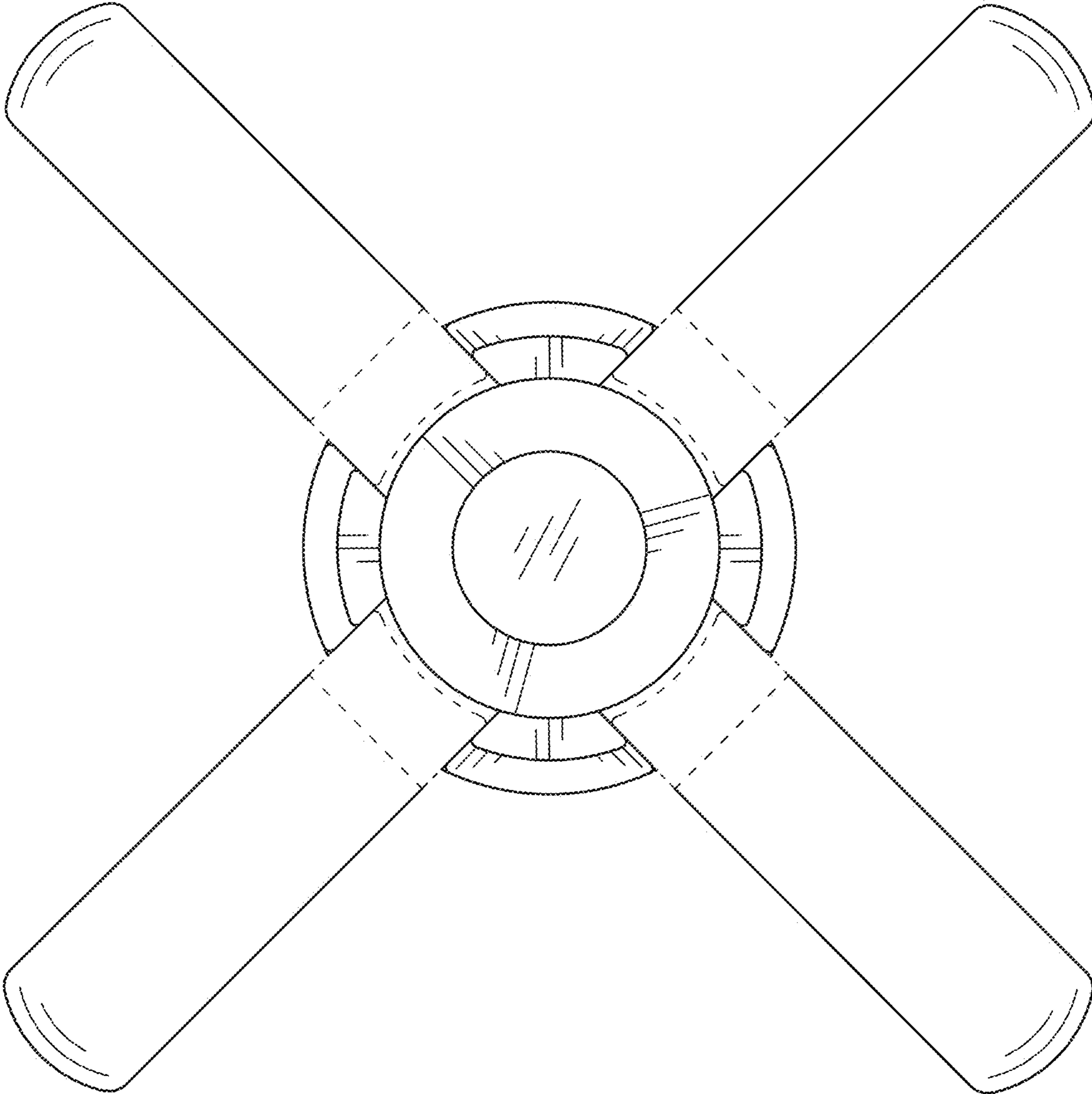


FIG. 5

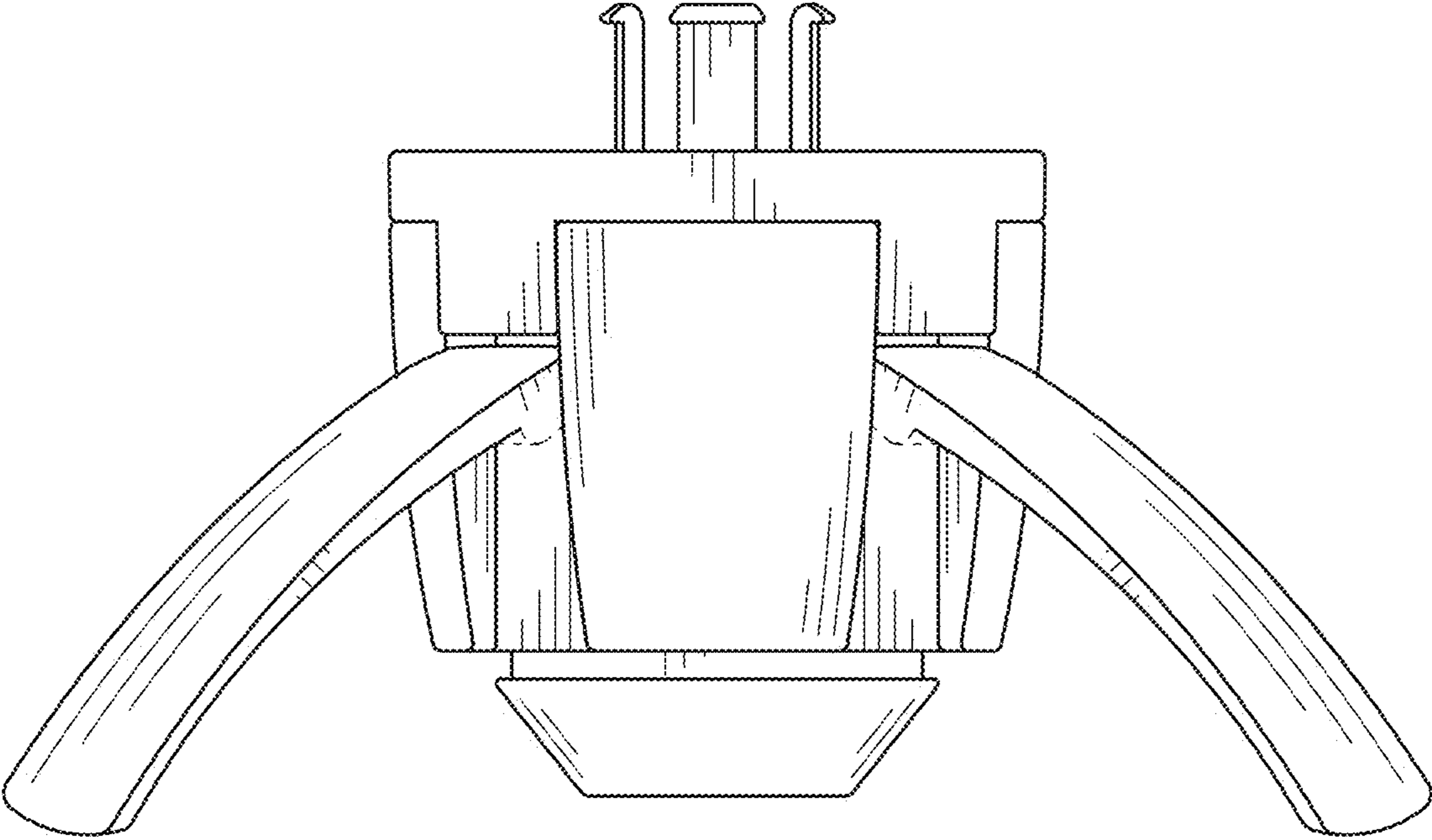


FIG. 6

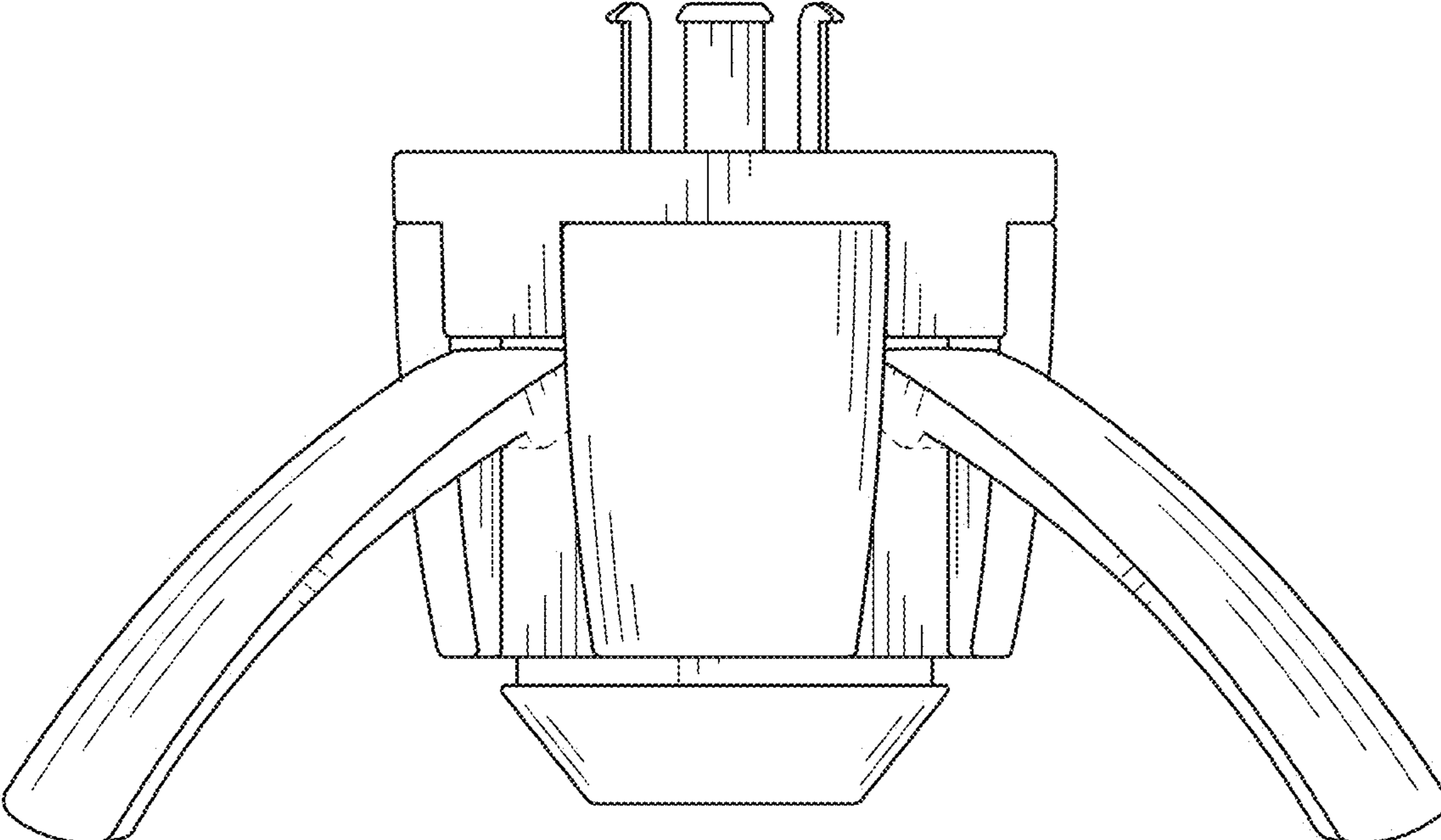


FIG. 7

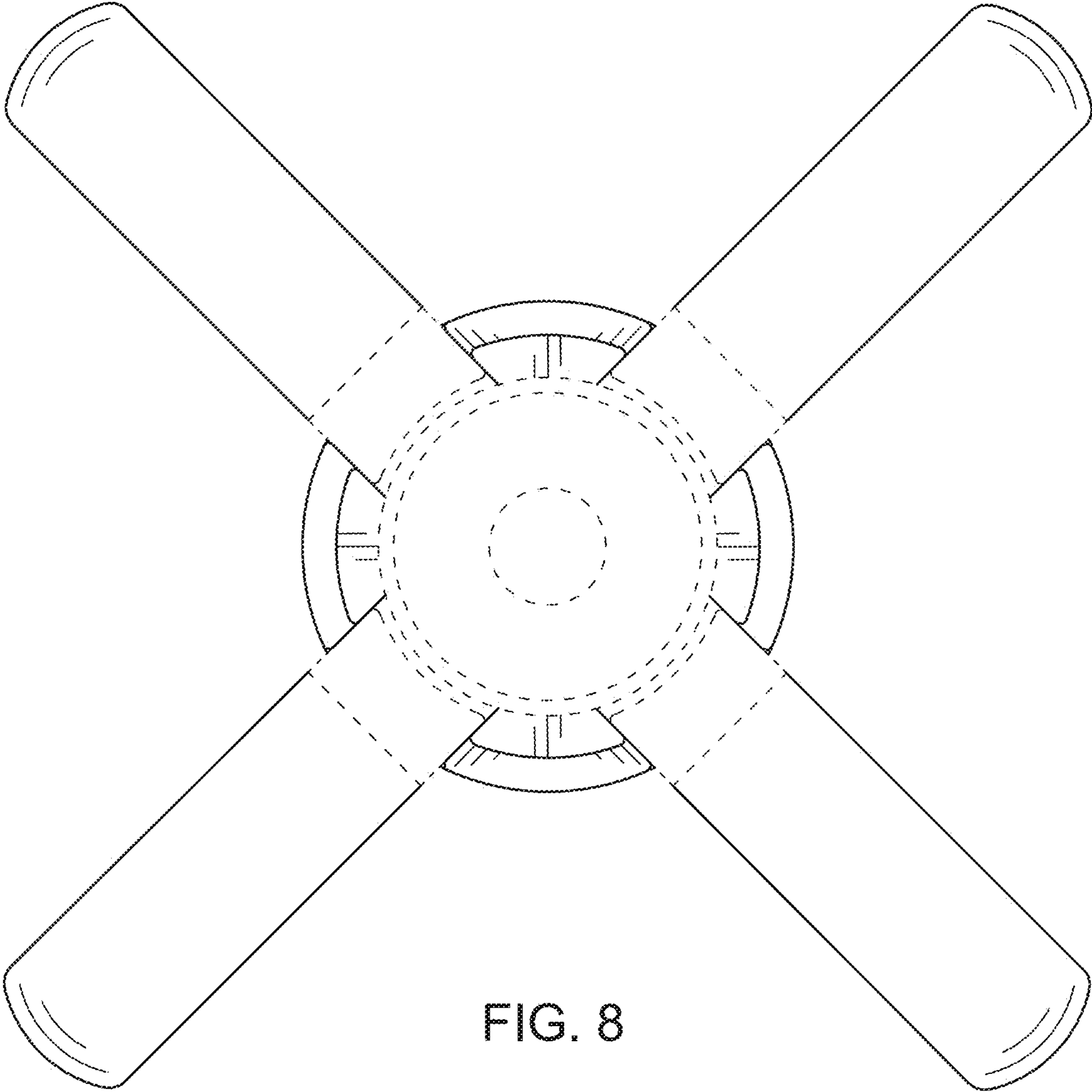


FIG. 8