



US00D920656S

(12) **United States Design Patent** (10) **Patent No.:** **US D920,656 S**  
**You** (45) **Date of Patent:** **\*\* Jun. 1, 2021**

(54) **SOCK**  
(71) Applicant: **Unclebus Textile Co., Ltd.**, Beijing (CN)  
(72) Inventor: **Yang You**, Hubei (CN)  
(73) Assignee: **Unclebus Textile Co., Ltd.**, Beijing (CN)  
(\*\*) Term: **15 Years**

D489,518 S \* 5/2004 Maxfield ..... D2/919  
D499,807 S \* 12/2004 Stauffer ..... D24/192  
D514,283 S \* 2/2006 O'Connor ..... D2/896  
D538,515 S \* 3/2007 Wilkenfeld ..... D2/902  
7,735,244 B1 \* 6/2010 Ameche ..... A43B 1/10  
36/102  
D618,888 S \* 7/2010 Durst ..... D2/896  
9,320,313 B2 \* 4/2016 Craig ..... A43B 3/126  
D781,568 S \* 3/2017 Workman ..... D2/980  
D782,811 S \* 4/2017 Sudit ..... D2/980  
D783,239 S \* 4/2017 Shoemate ..... D2/909

\* cited by examiner

(21) Appl. No.: **29/676,251**  
(22) Filed: **Jan. 9, 2019**

*Primary Examiner* — Jennifer L Watkins  
(74) *Attorney, Agent, or Firm* — Bayramoglu Law Offices LLC

(30) **Foreign Application Priority Data**  
Jul. 11, 2018 (CN) ..... 201830373496.6

(57) **CLAIM**

(51) **LOC (13) Cl.** ..... **02-04**  
(52) **U.S. Cl.**  
USPC ..... **D2/980**

The ornamental design for a sock, as shown and described.

(58) **Field of Classification Search**  
USPC ..... D24/192; D2/896, 919, 980–994  
CPC .... A61F 5/0111; A61F 13/066; A61F 5/0127;  
A61F 13/08; A61F 13/101; A61F 5/14;  
A61F 13/065; A41B 11/02; A41B 11/003;  
A41B 2400/20; A41B 2400/60; D04B  
1/26

**DESCRIPTION**

See application file for complete search history.

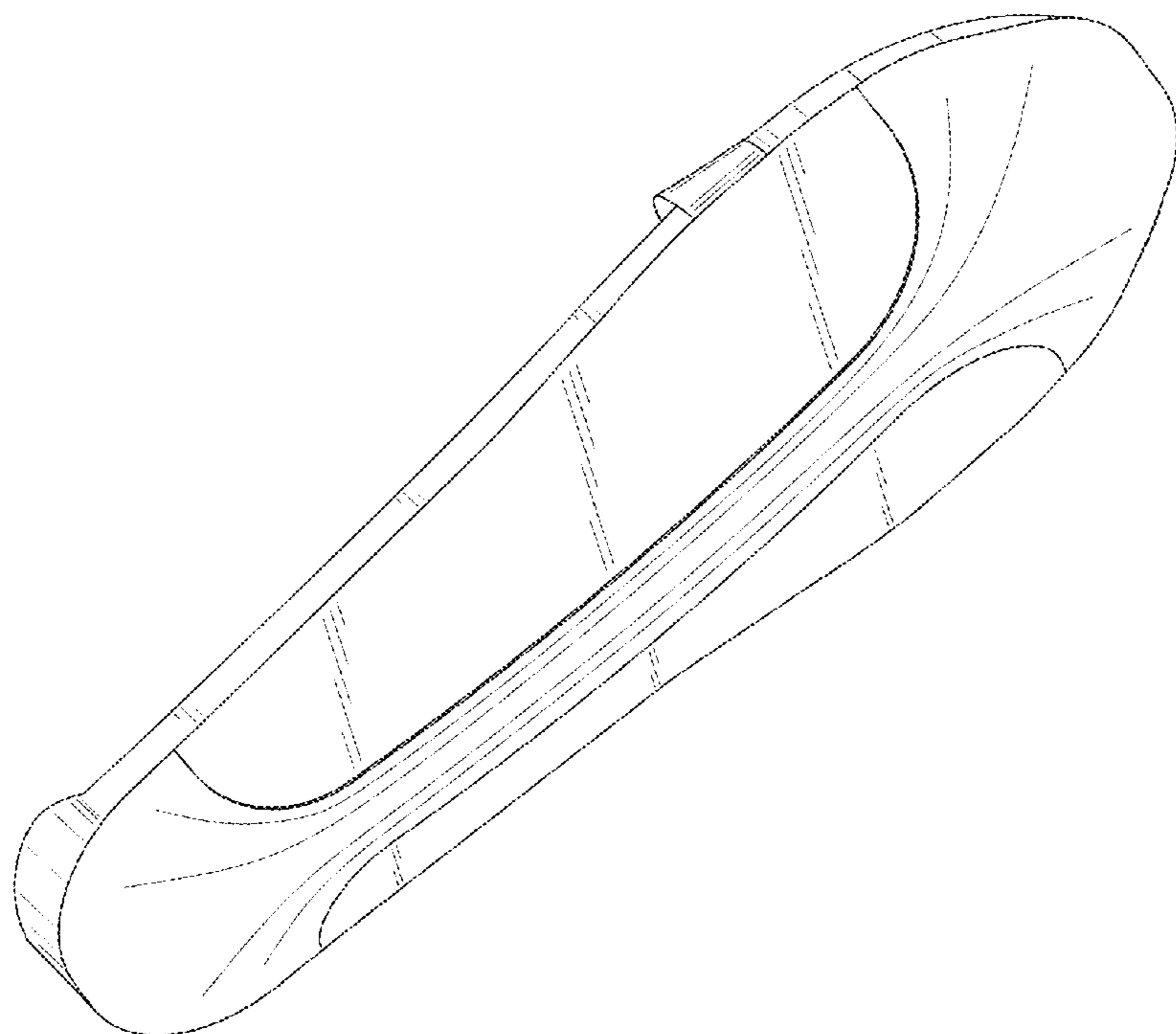
FIG. 1 is a bottom, right side perspective view of a sock showing my new design;  
FIG. 2. is a top plan view thereof;  
FIG. 3 is a bottom plan view thereof;  
FIG. 4 is a left side elevational view thereof;  
FIG. 5 is a right side elevational view thereof;  
FIG. 6 is a front elevational view thereof;  
FIG. 7 is a back elevational view thereof; and,  
FIG. 8 is a bottom, right side perspective view thereof in a position of use.

(56) **References Cited**  
U.S. PATENT DOCUMENTS

3,102,271 A \* 9/1963 Wilkerson ..... A43B 23/28  
2/239  
5,515,566 A \* 5/1996 Ganon ..... A43B 3/14  
12/142 A

The broken lines showing a sole insert in FIG. 8 depict portions of the sock and form no part of the claim.

**1 Claim, 7 Drawing Sheets**



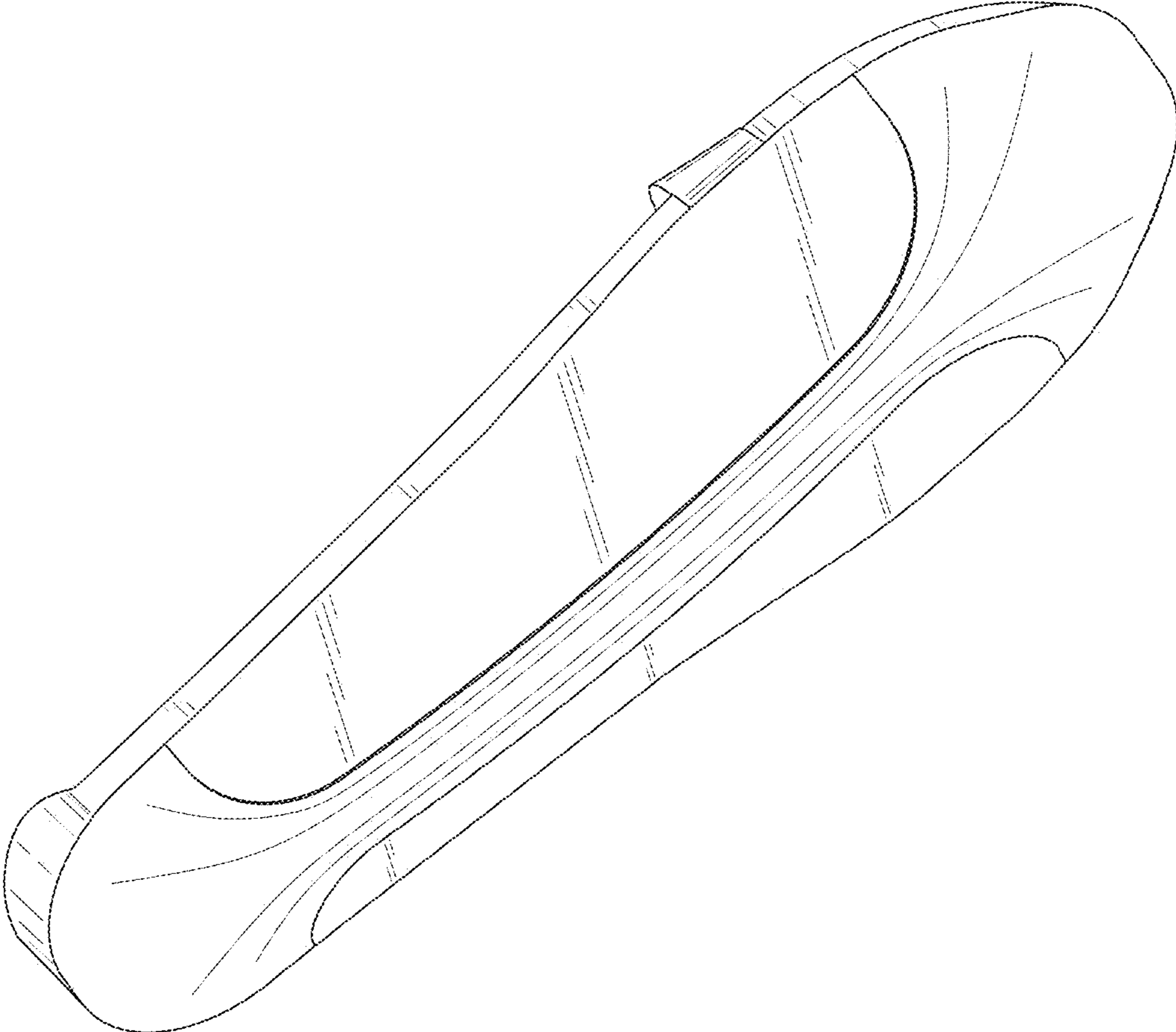


FIG. 1

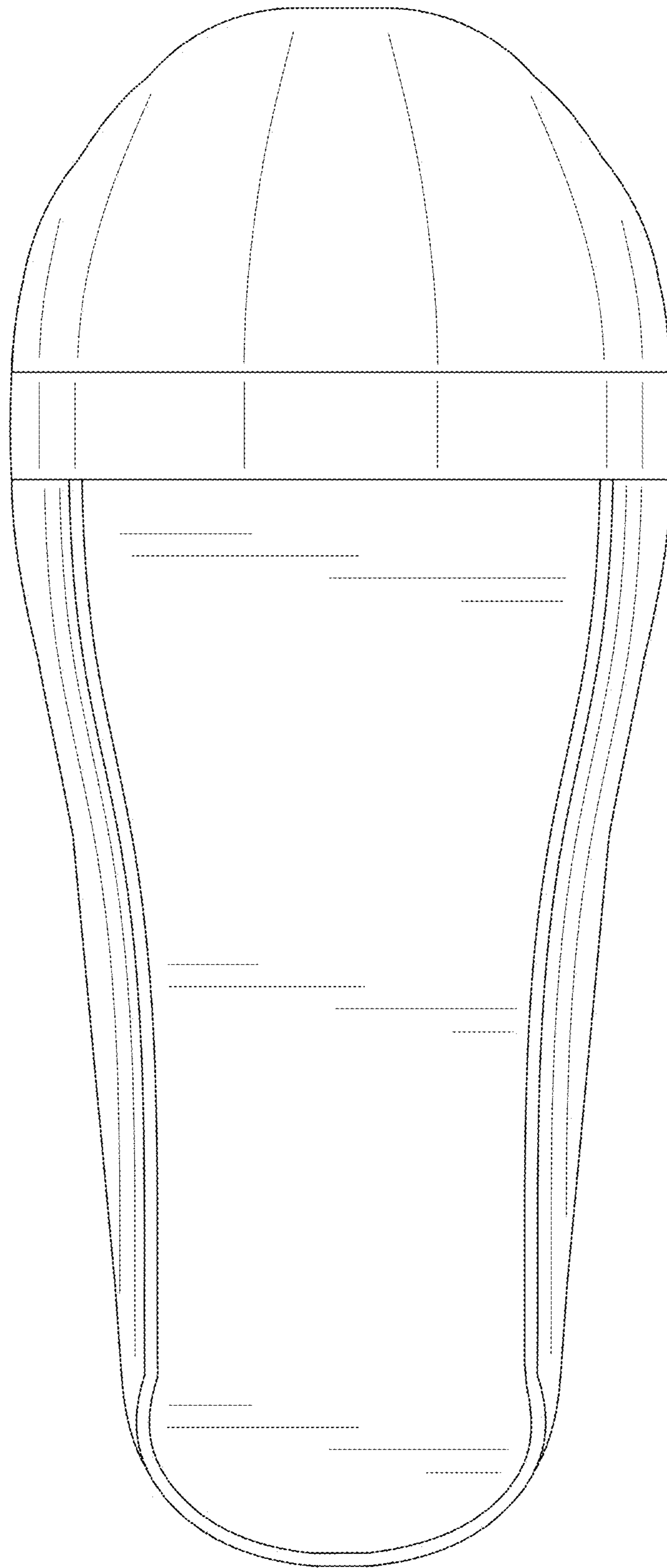


FIG. 2

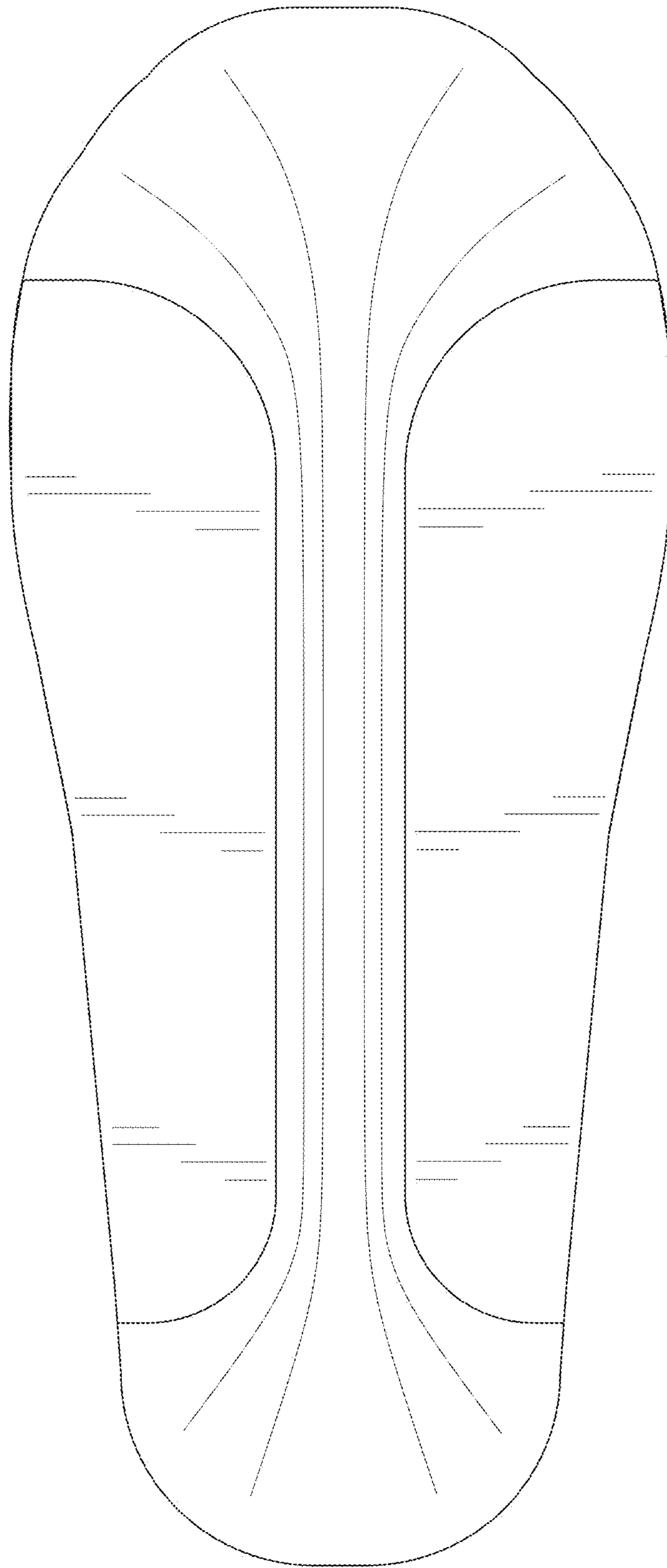


FIG. 3

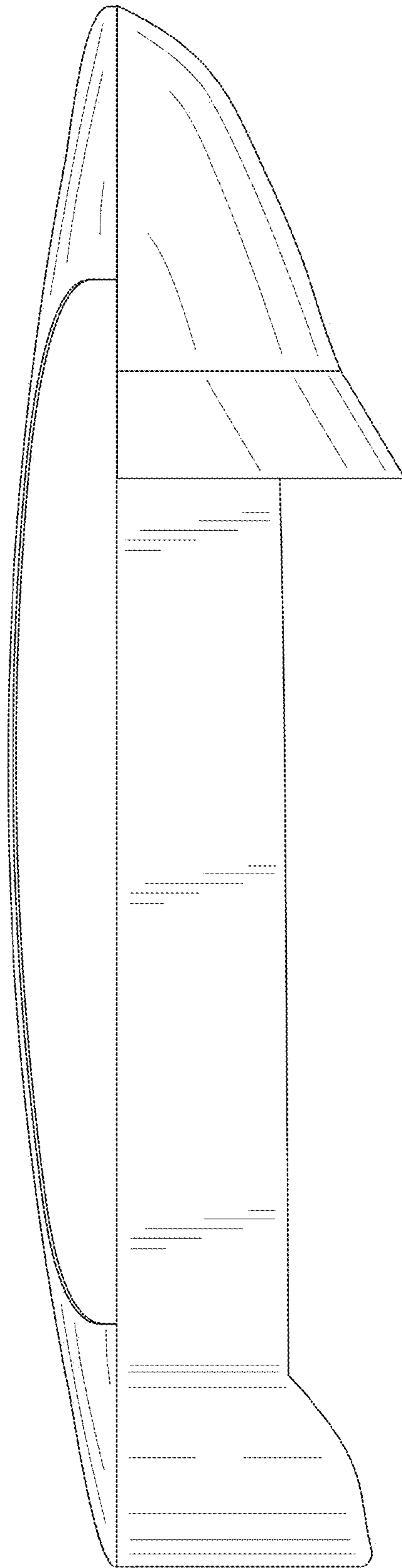


FIG. 4

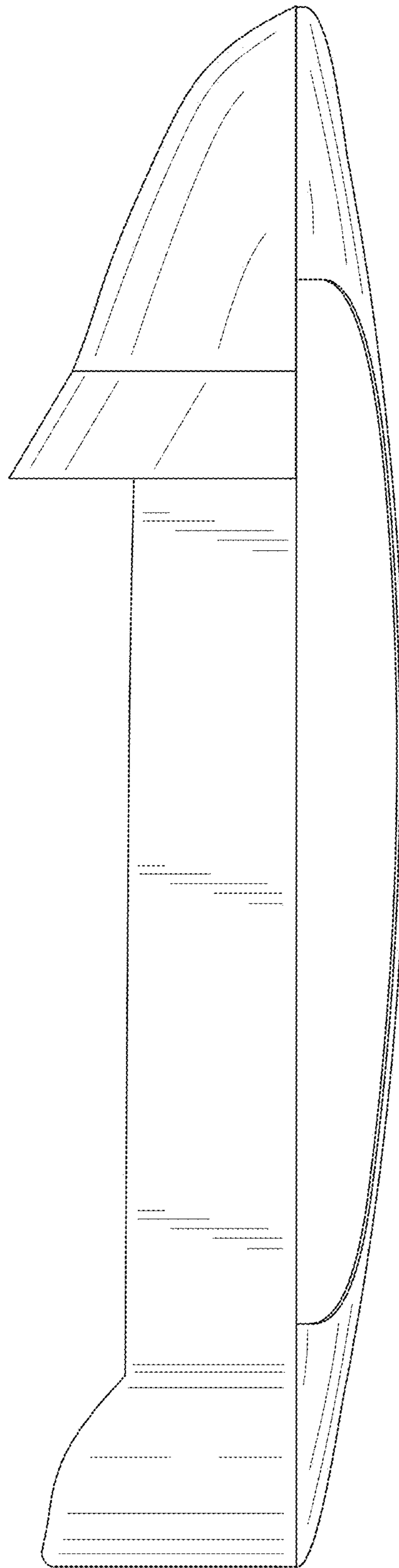


FIG. 5



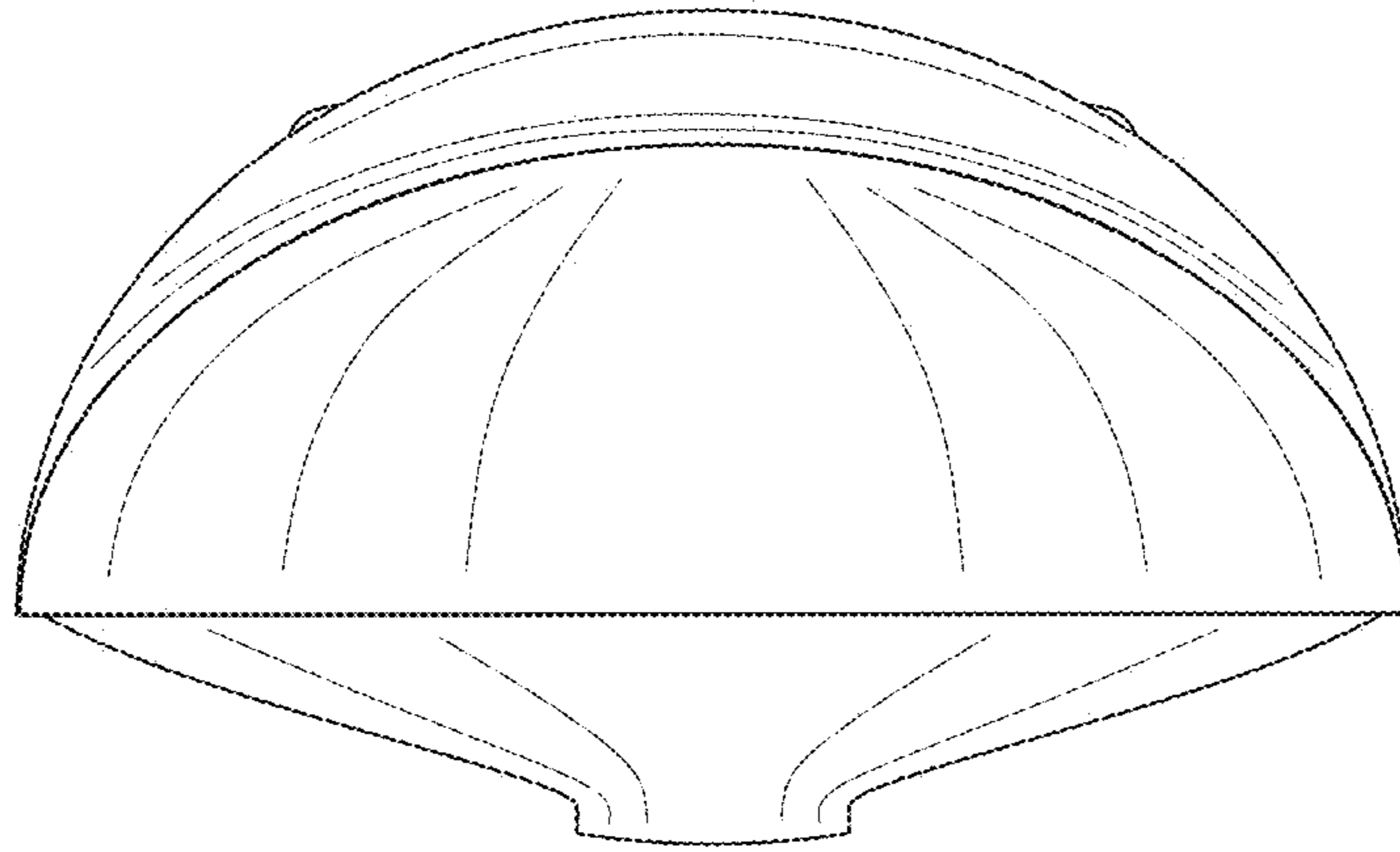


FIG. 6

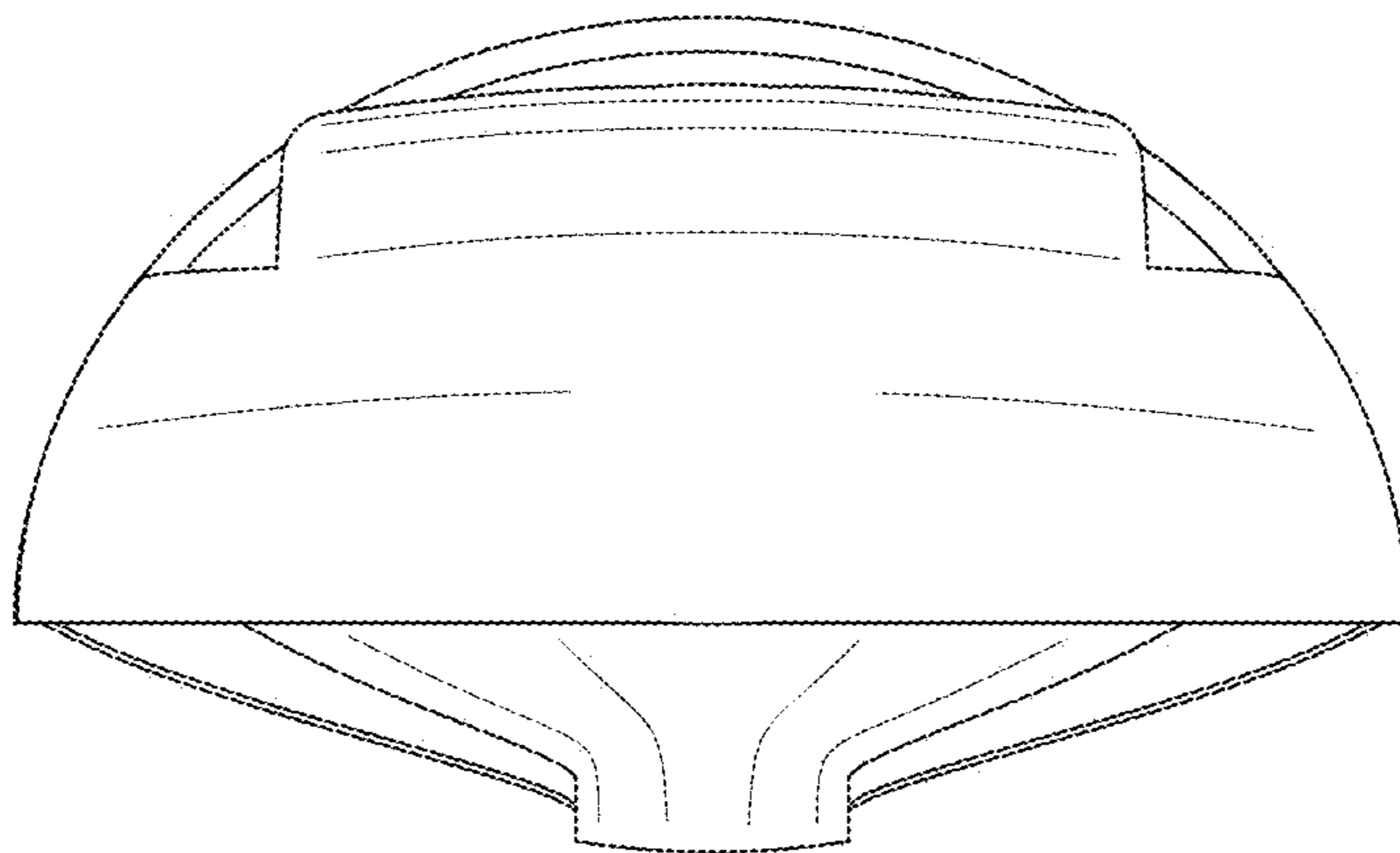


FIG. 7

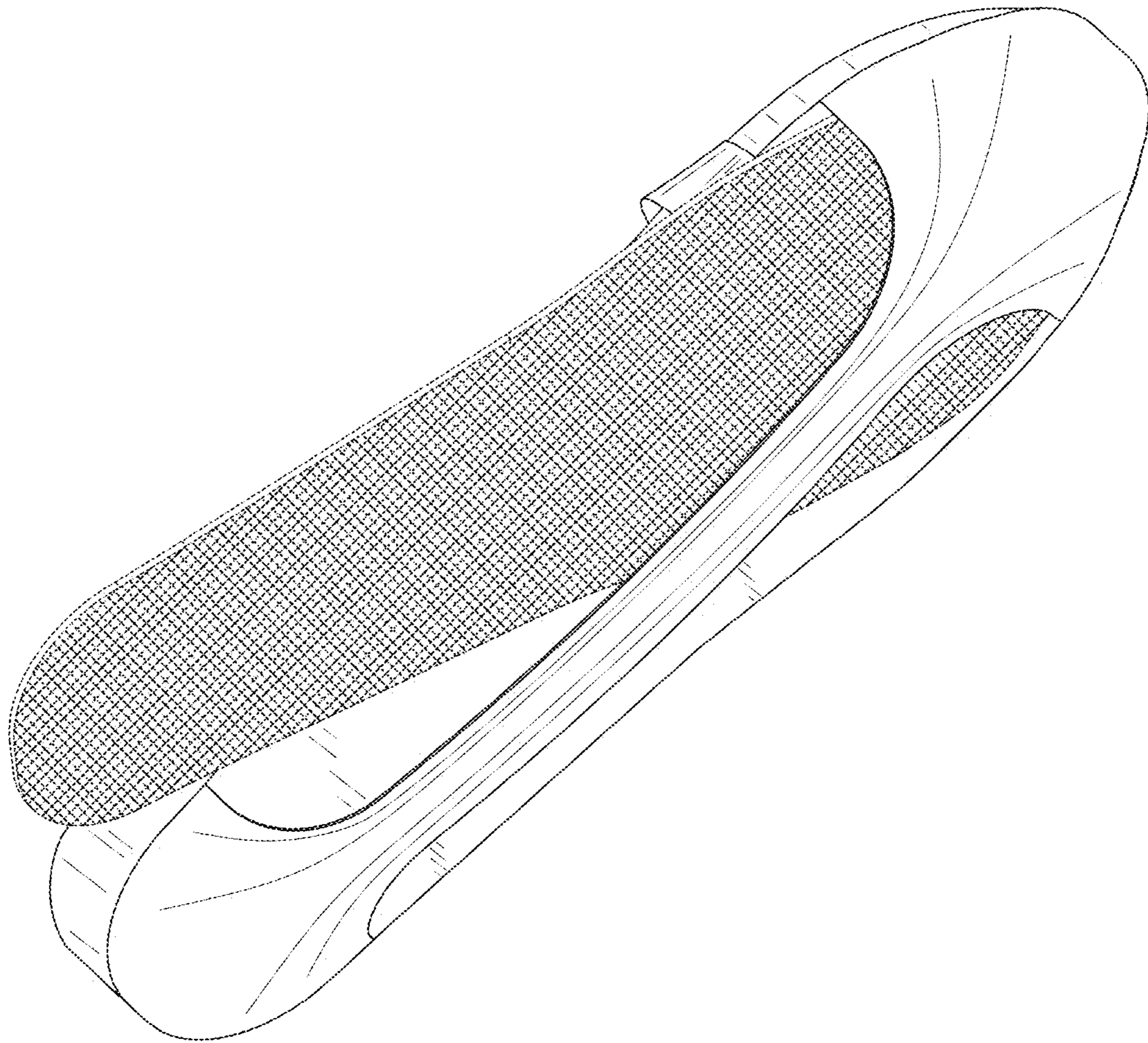


FIG. 8