

US00D920655S

(12) **United States Design Patent**  
**Genao**

(10) **Patent No.:** **US D920,655 S**  
(45) **Date of Patent:** **\*\* Jun. 1, 2021**

(54) **SOCK**

(71) Applicant: **Shirt Stay Plus LLC**, Wake Forest, NC (US)

(72) Inventor: **Edwin F. Genao**, Wake Forest, NC (US)

(73) Assignee: **Shirt Stay Plus LLC**, Wake Forest, NC (US)

(\*\*) Term: **15 Years**

(21) Appl. No.: **29/674,078**

(22) Filed: **Dec. 19, 2018**

(51) **LOC (13) Cl.** ..... **02-04**

(52) **U.S. Cl.**  
USPC ..... **D2/980**

(58) **Field of Classification Search**  
USPC ..... D2/980-994  
CPC .... A61F 5/0111; A61F 5/0113; A61F 5/0127;  
A41B 11/002

See application file for complete search history.

(56) **References Cited**

**U.S. PATENT DOCUMENTS**

202,394 A	4/1878	Armstrong
211,479 A	1/1879	Shelby
801,518 A	10/1905	Fries
863,970 A	8/1907	Ebersole
949,827 A	2/1910	Kurtz
1,404,719 A	1/1922	Postl

(Continued)

**OTHER PUBLICATIONS**

“Keeper 85207 8'x1" Lashing Strap, 2 Pack” | amazon.com | website accessed at <[https://www.amazon.com/Keeper-85207-Lashing-Strap-Pack/dp/B0000DGAMO/ref=sr\\_1\\_1?keywords=keeper+85207&qid=1569409056&sr=8-1](https://www.amazon.com/Keeper-85207-Lashing-Strap-Pack/dp/B0000DGAMO/ref=sr_1_1?keywords=keeper+85207&qid=1569409056&sr=8-1)> on Sep. 25, 2019, Dated Jan. 16, 2007.

*Primary Examiner* — Jennifer L Watkins

(74) *Attorney, Agent, or Firm* — Hanrahan Law Firm P.A.; Benjamin M. Hanrahan

(57) **CLAIM**

The ornamental design for a sock, as shown and described.

**DESCRIPTION**

FIG. 1 is a perspective view illustrating my design for a sock, showing two holes through opposite sides of an upper portion.

FIG. 2 is a right-side view thereof.

FIG. 3 is a rear view thereof.

FIG. 4 is a left-side view thereof.

FIG. 5 is a front view thereof.

FIG. 6 is a top view thereof.

FIG. 7 is a bottom view thereof.

FIG. 8 is a perspective view illustrating my design for a sock with a suspender clip attached to one of the two holes.

FIG. 9 is a right-side view thereof.

FIG. 10 is a rear view thereof.

FIG. 11 is a left-side view thereof.

FIG. 12 is a front view thereof.

FIG. 13 is a top view thereof.

FIG. 14 is a bottom view thereof.

FIG. 15 is a perspective view illustrating my design for a sock with one suspender clip attached to each of the two holes, one of which is fully represented in dashed lines, the other of which is partially represented in dashed lines.

FIG. 16 is a right-side view thereof.

FIG. 17 is a rear view thereof.

FIG. 18 is a left-side view thereof.

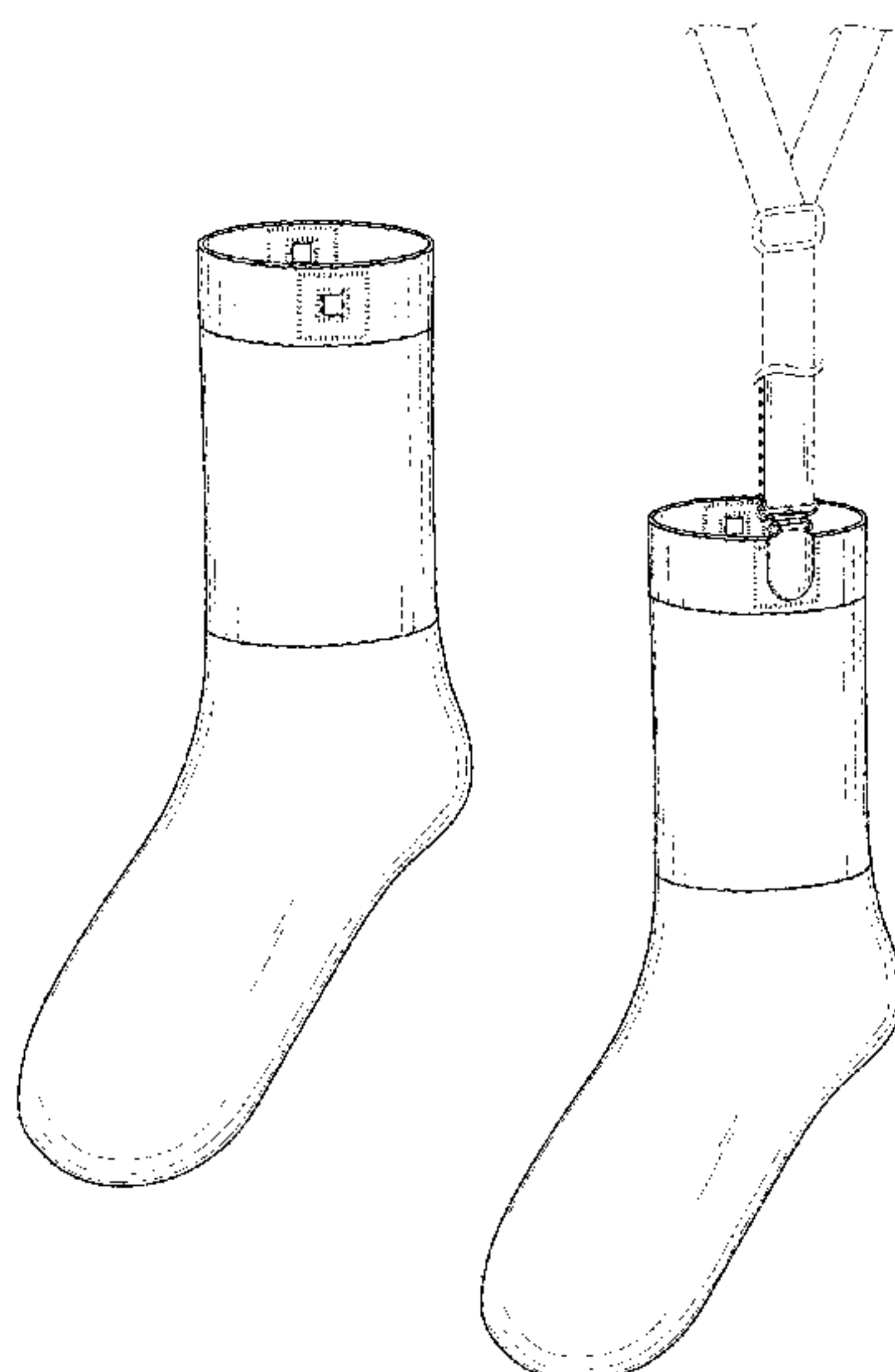
FIG. 19 is a front view thereof.

FIG. 20 is a top view thereof; and,

FIG. 21 is a bottom view thereof.

The broken lines illustrated in FIGS. 8 through 21 show portions of the article that form no part of the claimed design. The broken lines shown on the cuff of the sock depict claimed stitching.

**1 Claim, 18 Drawing Sheets**



(56)

References Cited

U.S. PATENT DOCUMENTS

1,457,685 A 6/1923 Avey  
 1,492,859 A 5/1924 Robeson  
 1,653,288 A 12/1927 Johnson  
 2,108,461 A 2/1938 Williams  
 2,182,853 A 12/1939 Oliver  
 D149,976 S 6/1948 Sanford  
 2,608,692 A 9/1952 Berg  
 2,663,877 A 12/1953 Bohman  
 3,164,845 A 1/1965 Fowler  
 4,058,853 A 11/1977 Boxer et al.  
 4,115,906 A 9/1978 Lavine et al.  
 4,169,324 A 10/1979 Gibbs  
 4,939,823 A 7/1990 Klein  
 5,038,413 A 8/1991 Ursino  
 5,044,051 A 9/1991 Klein  
 5,052,055 A 10/1991 Mysliwicz  
 5,177,813 A 1/1993 Bosack et al.  
 5,230,451 A 7/1993 Onozawa  
 5,313,669 A 5/1994 Rasdell et al.  
 D349,180 S 8/1994 Oldham  
 5,377,391 A 1/1995 Foster  
 5,437,402 A 8/1995 Ring  
 5,483,704 A 1/1996 Filipiak  
 D383,888 S 9/1997 Smith  
 D389,987 S 2/1998 O'Byrne et al.  
 5,918,318 A \* 7/1999 Jones ..... A41B 11/002  
 2/160  
 6,032,294 A \* 3/2000 Dean ..... A41B 11/002  
 2/239  
 6,067,659 A \* 5/2000 Reichle ..... A41B 11/002  
 2/239  
 6,092,241 A 7/2000 Bellet  
 6,185,751 B1 \* 2/2001 Mason ..... A41B 11/002  
 2/239

6,237,158 B1 5/2001 Barbara  
 6,279,169 B1 \* 8/2001 Reichle ..... A41B 11/002  
 2/239  
 6,438,805 B1 8/2002 Goss et al.  
 D463,325 S 9/2002 Savoia  
 D473,706 S 4/2003 Livingston-Capoano  
 6,666,426 B1 12/2003 Taylor  
 6,701,533 B2 3/2004 Webb  
 D488,288 S 4/2004 Eggers  
 D511,888 S \* 11/2005 Anton ..... D2/980  
 D560,064 S \* 1/2008 Tustin ..... D2/980  
 7,765,613 B2 8/2010 Carr  
 D661,461 S 6/2012 Murray  
 8,359,671 B1 \* 1/2013 Glass ..... A44B 11/005  
 2/239  
 D692,638 S 11/2013 Herman  
 D708,095 S 7/2014 Whitworth  
 D772,558 S \* 11/2016 Rhodes ..... D2/993  
 D773,797 S 12/2016 Schoenbeck et al.  
 D779,809 S 2/2017 Sorby et al.  
 9,750,292 B1 9/2017 Goldman et al.  
 D803,525 S 11/2017 Genao  
 9,848,657 B2 12/2017 Urban  
 D847,468 S 5/2019 Genao  
 D854,309 S \* 7/2019 Stuart ..... D2/980  
 2005/0262615 A1 \* 12/2005 Pietzyk-Hardy ..... A41B 11/002  
 2/239  
 2006/0096007 A1 5/2006 Burstein  
 2008/0222778 A1 9/2008 Dierssen-Morice et al.  
 2010/0011486 A1 1/2010 Allen  
 2011/0191944 A1 8/2011 Lescom et al.  
 2011/0209268 A1 9/2011 Smitherman  
 2012/0060262 A1 3/2012 Herman  
 2014/0090149 A1 4/2014 Zuiderveen et al.  
 2016/0007666 A1 1/2016 Pagcaliwagan  
 2016/0081400 A1 3/2016 Morgan  
 2016/0295943 A1 10/2016 Gilroy

\* cited by examiner



FIG. 1



FIG. 2

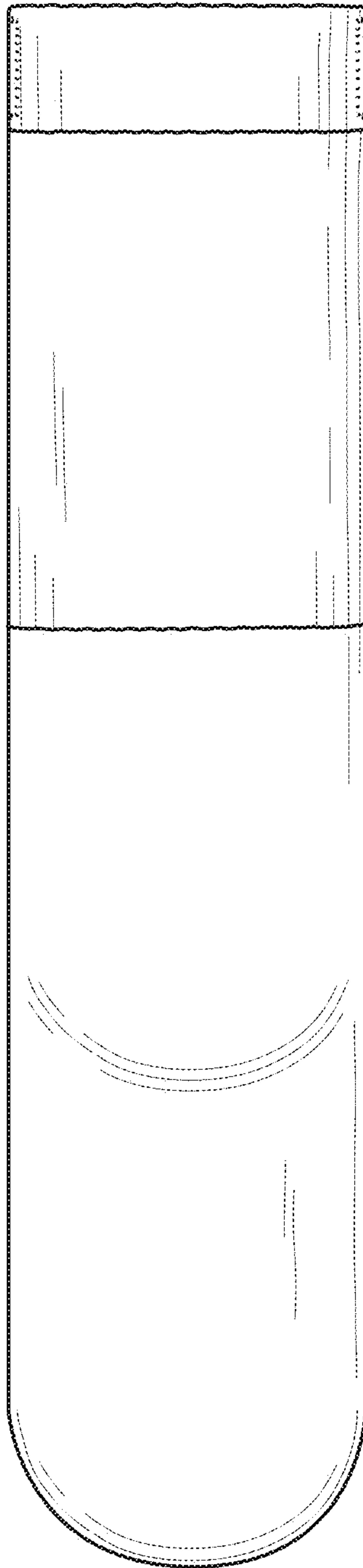


FIG. 3



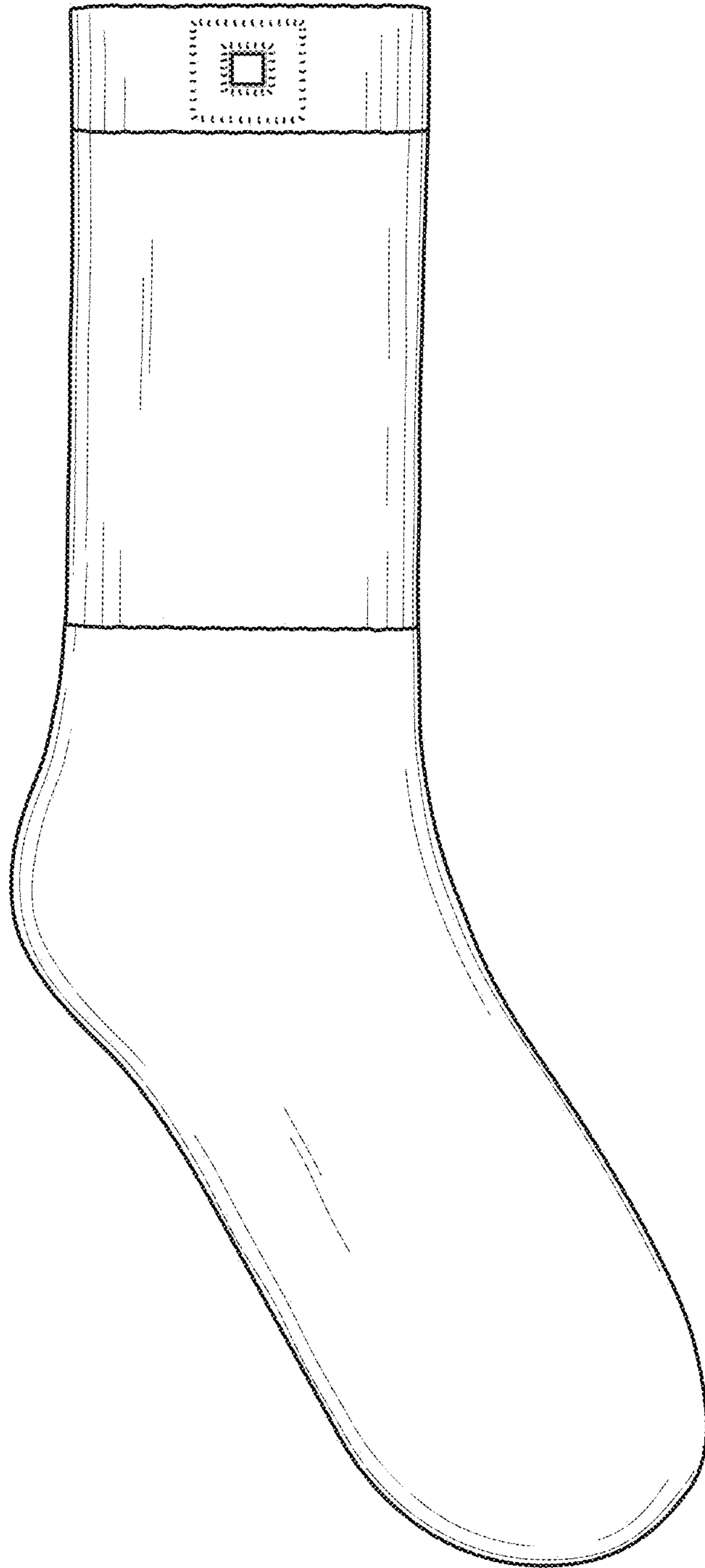


FIG. 4

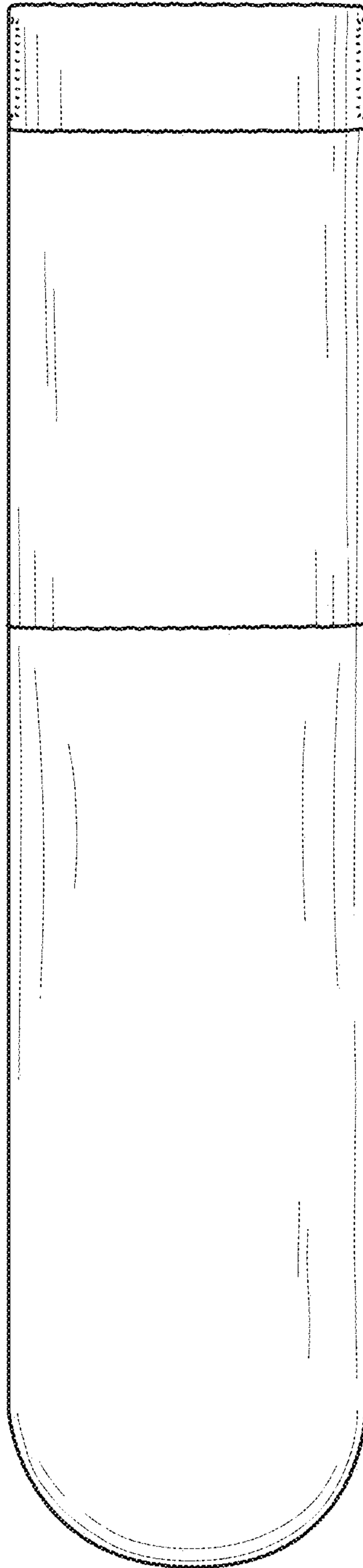


FIG. 5

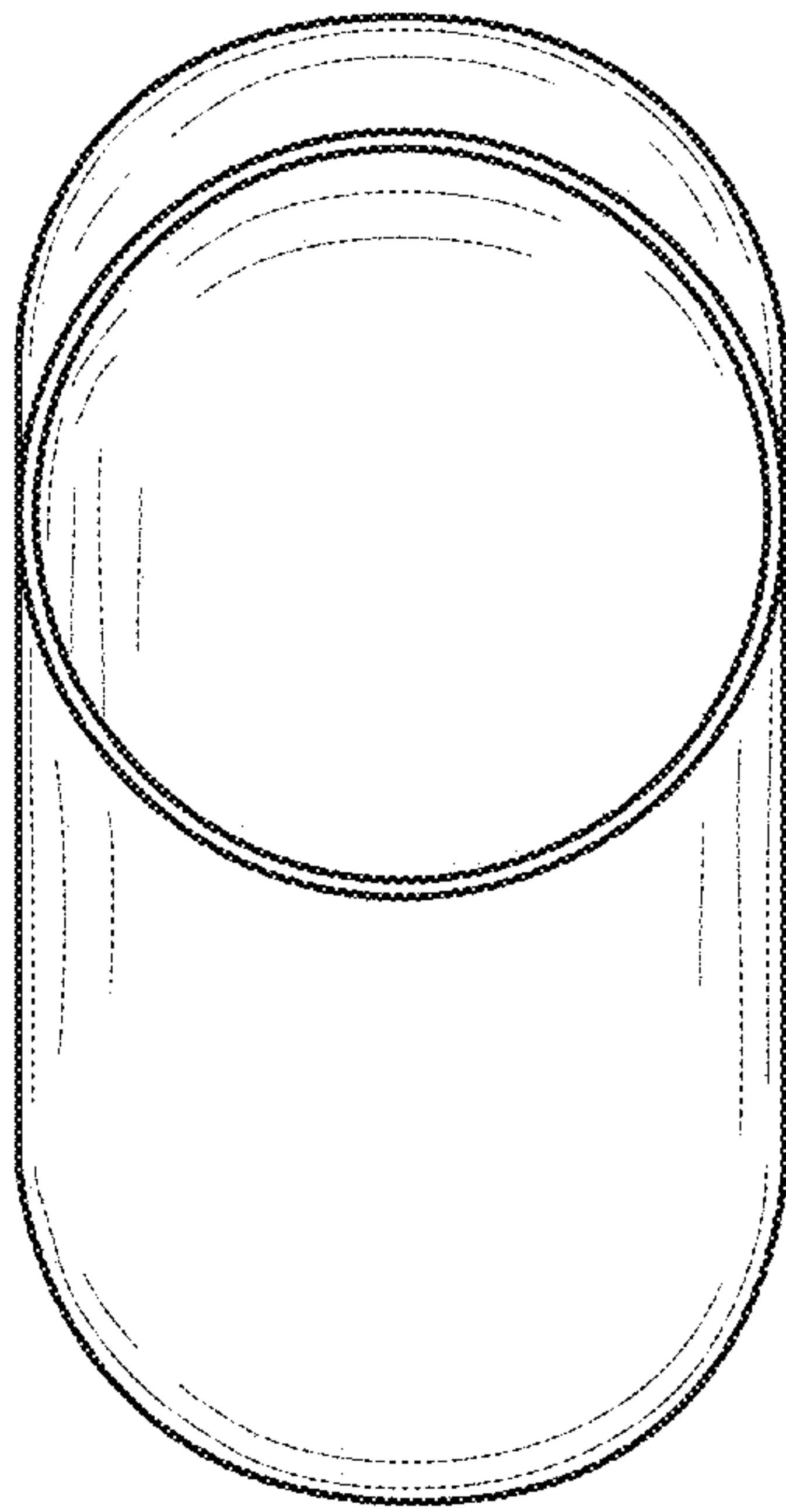


FIG. 6

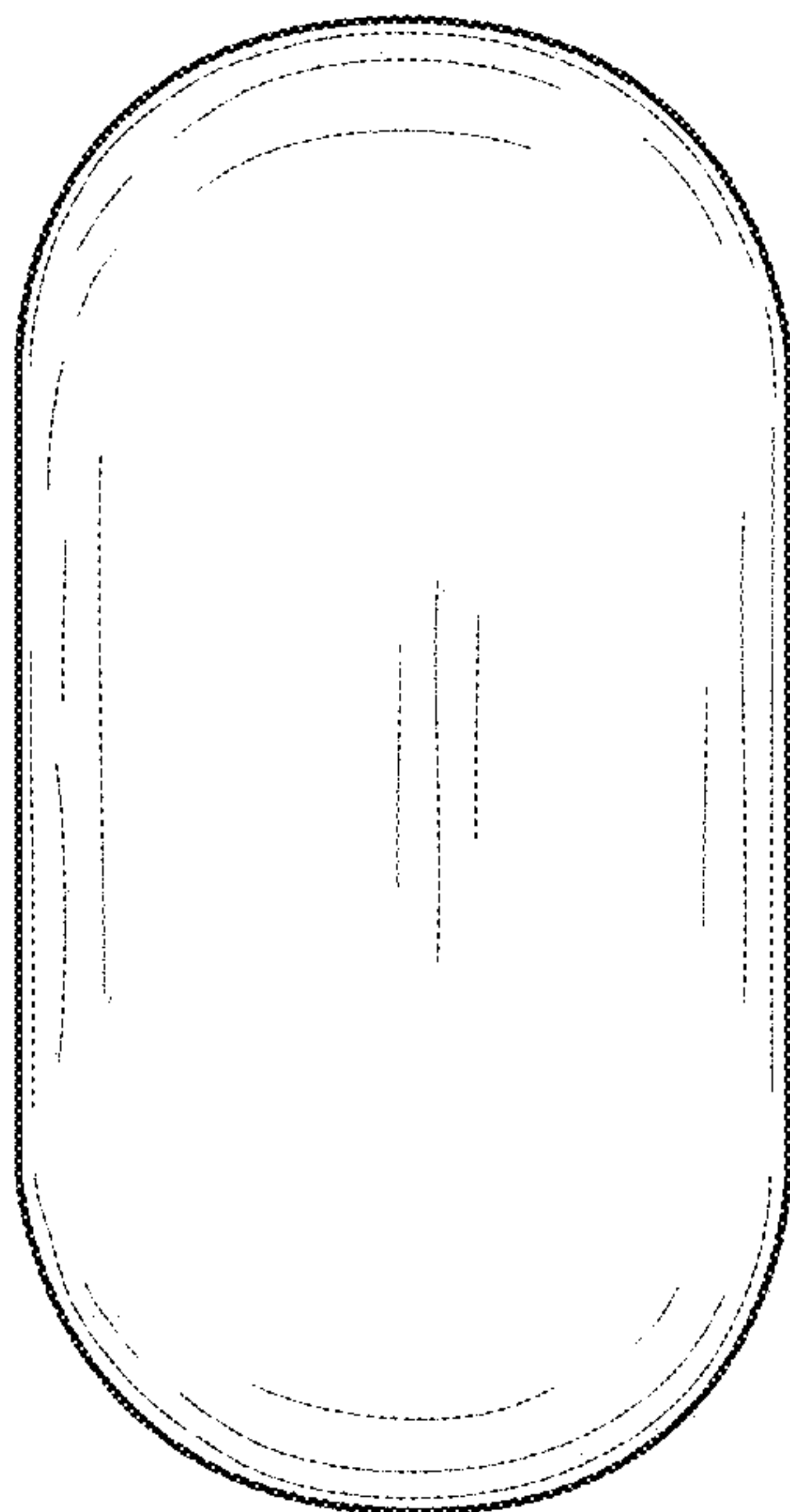


FIG. 7



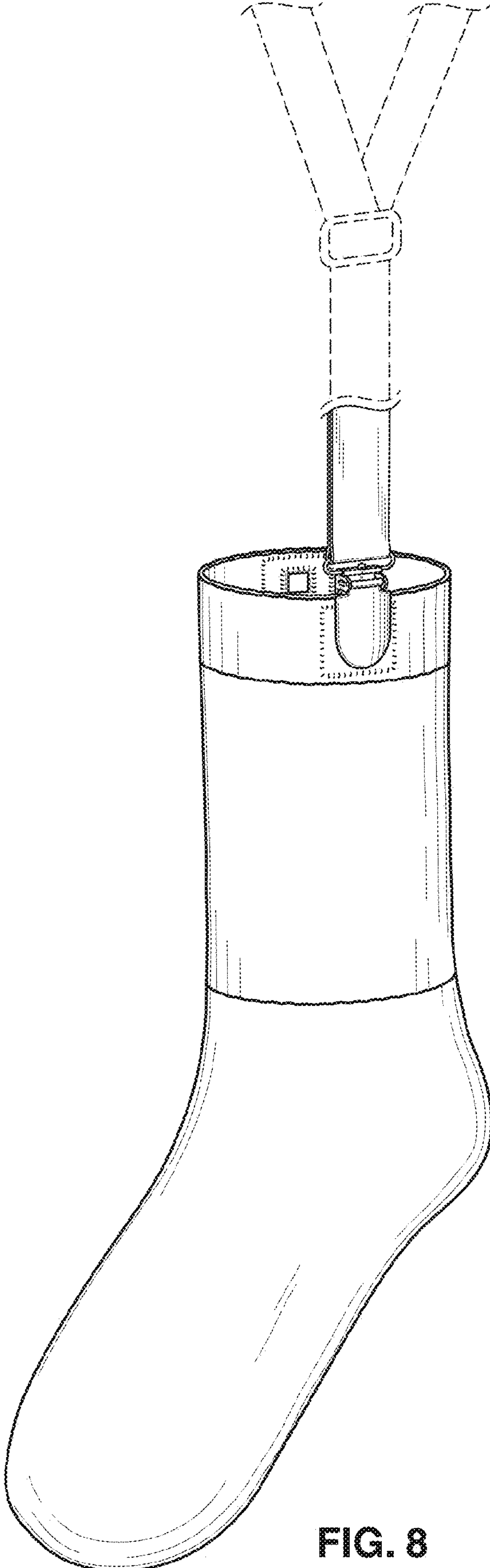


FIG. 8

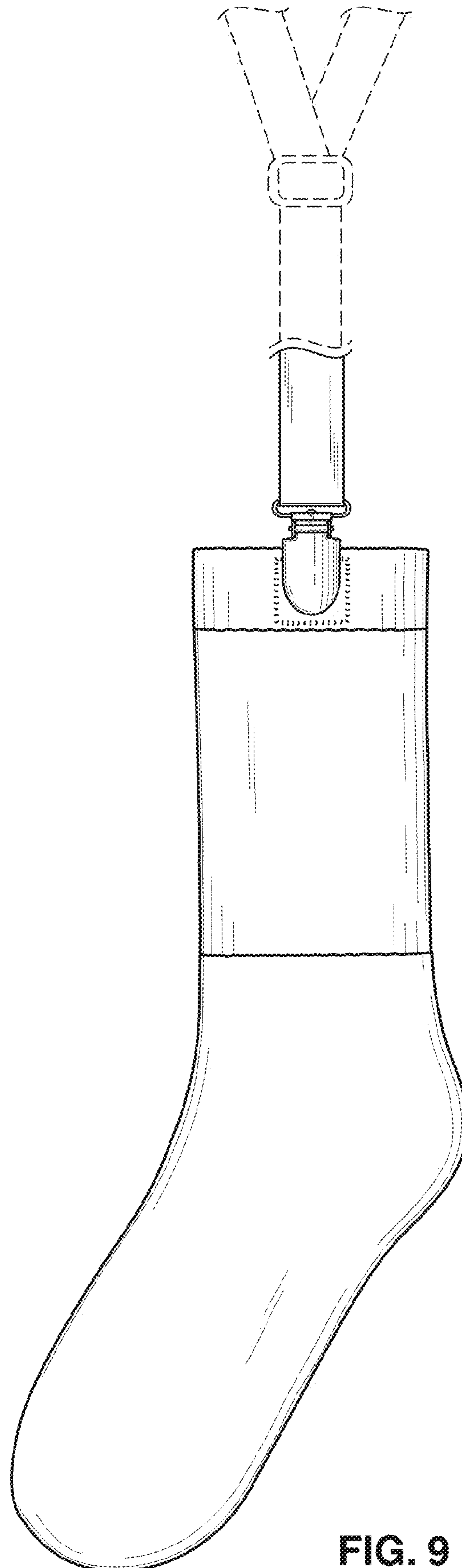


FIG. 9

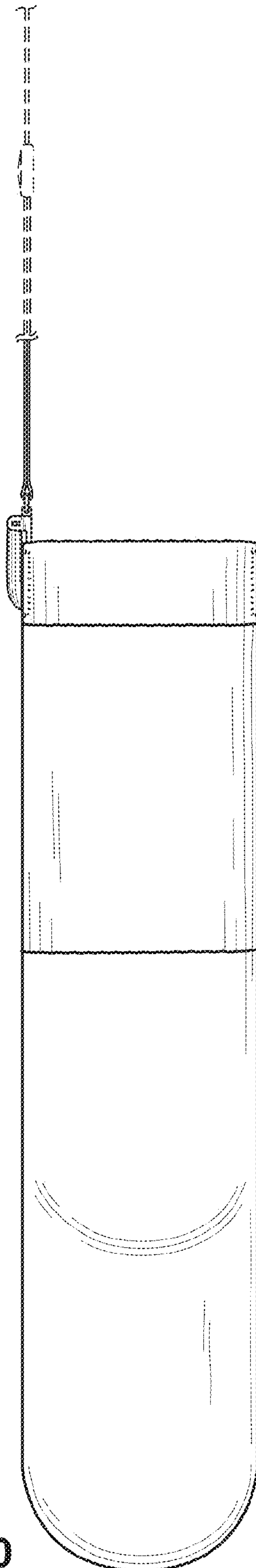


FIG. 10

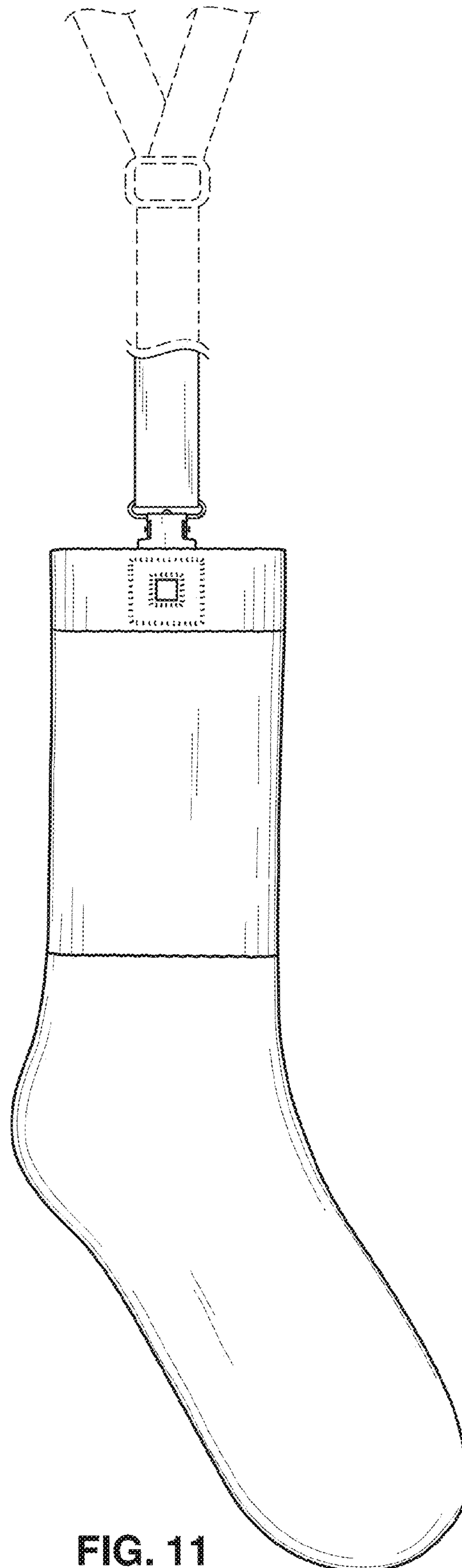


FIG. 11

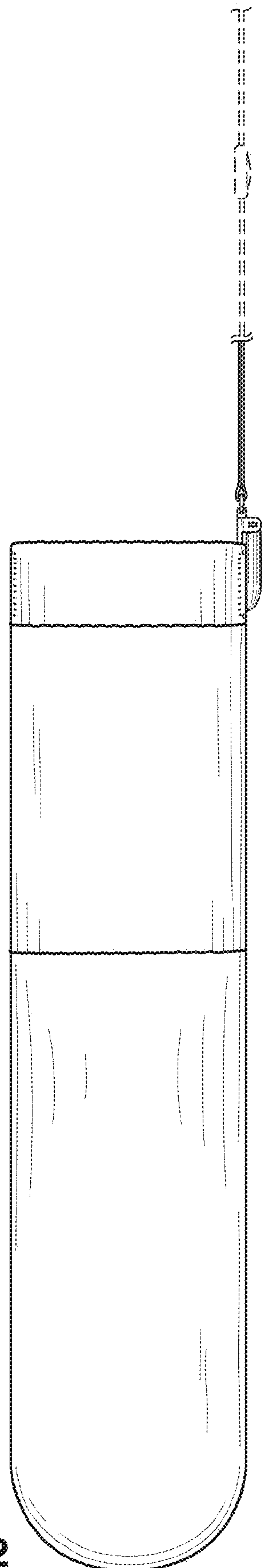


FIG. 12

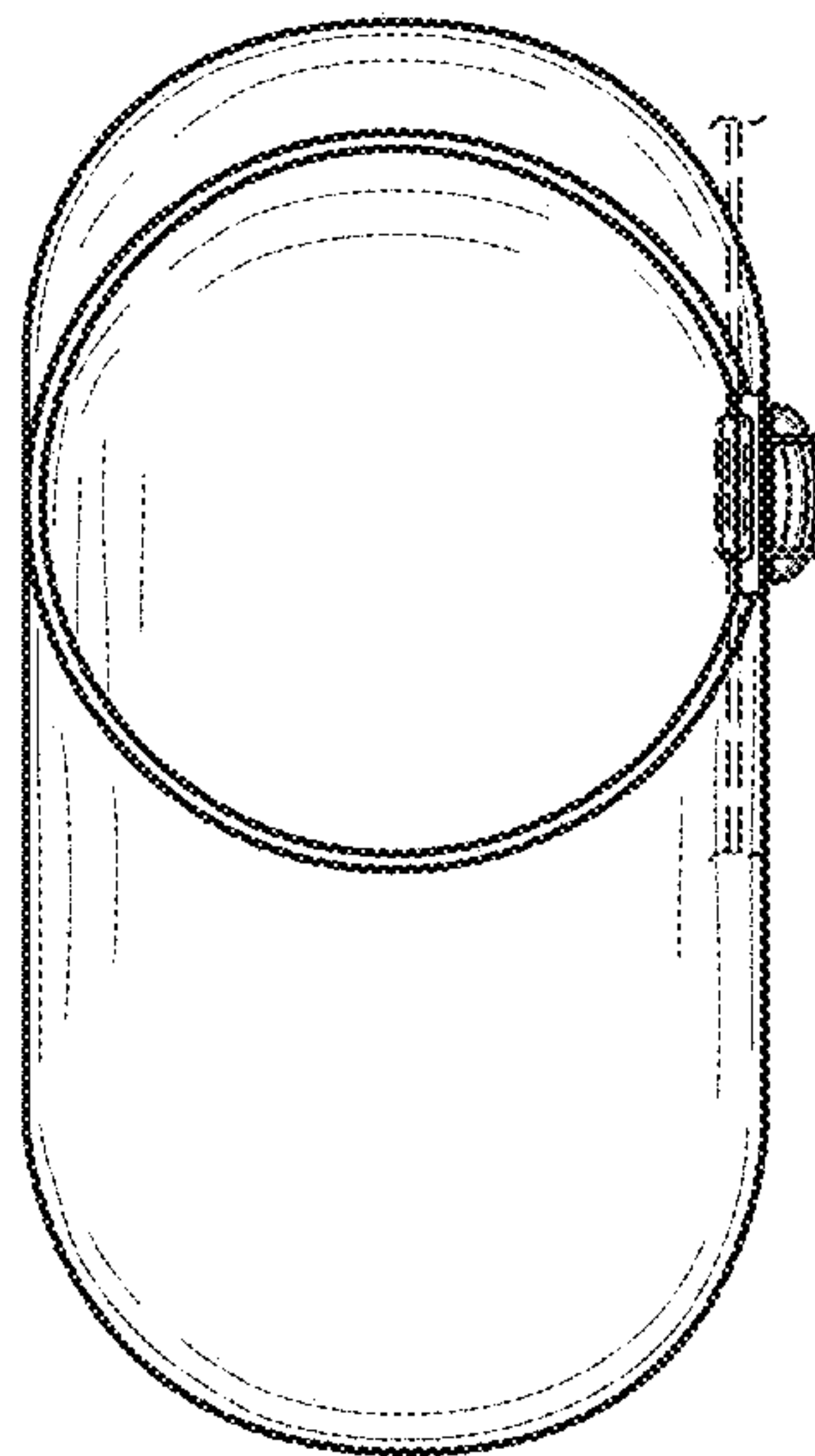


FIG. 13

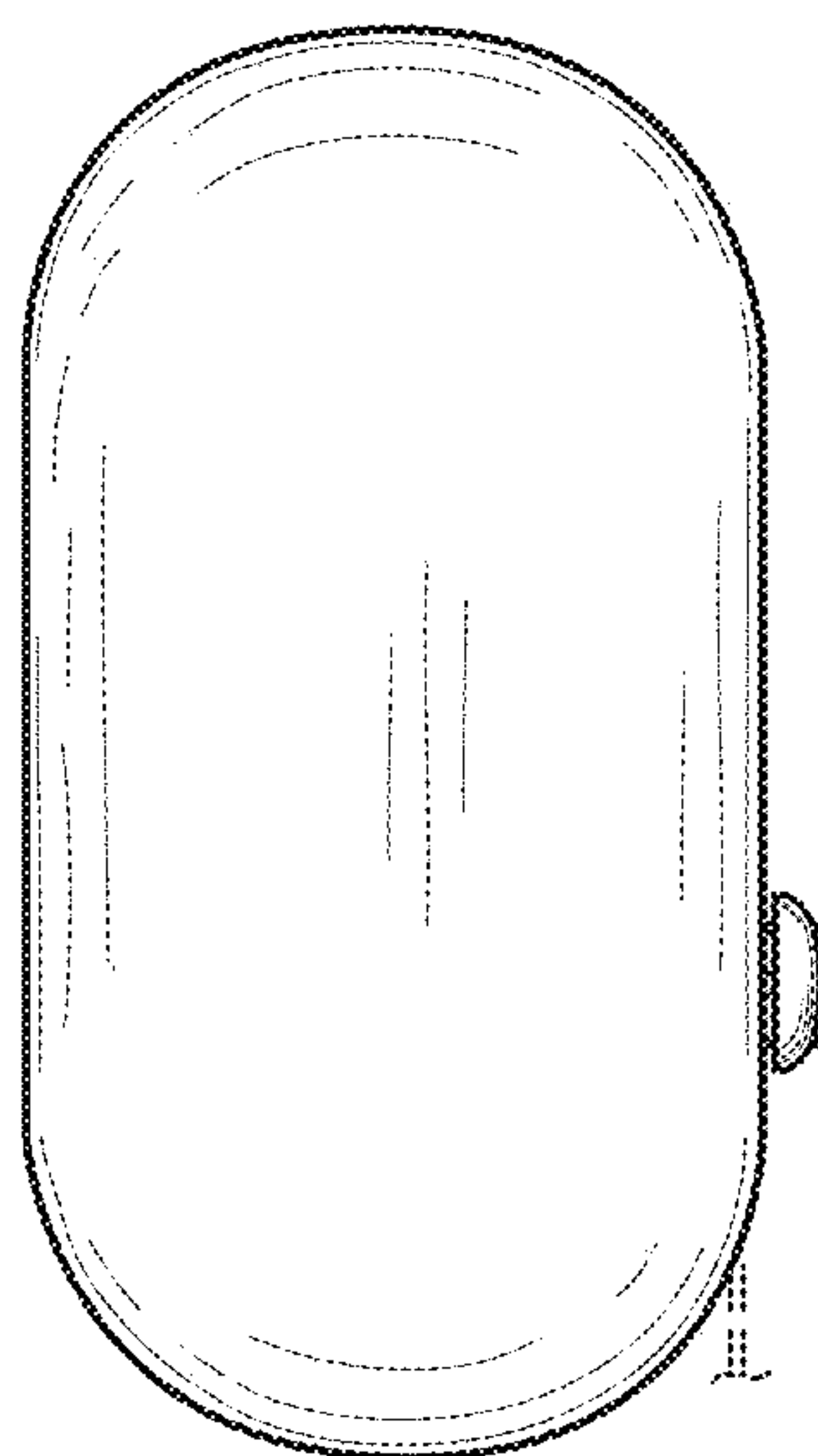


FIG. 14



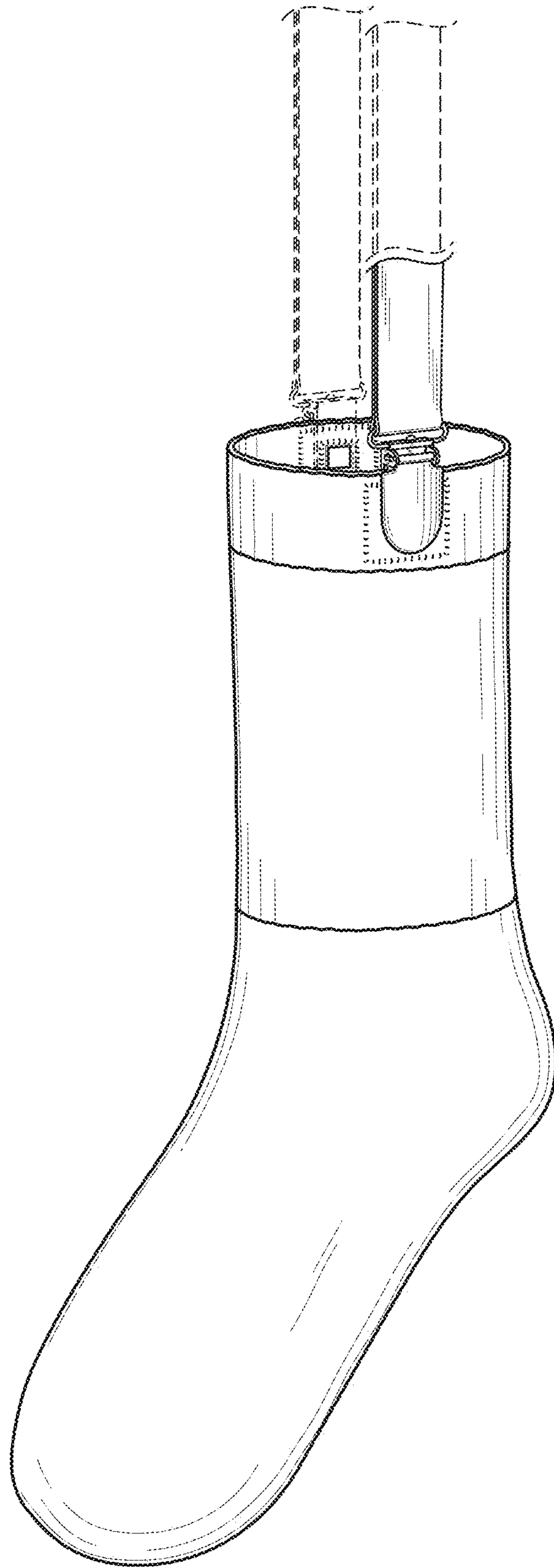


FIG. 15

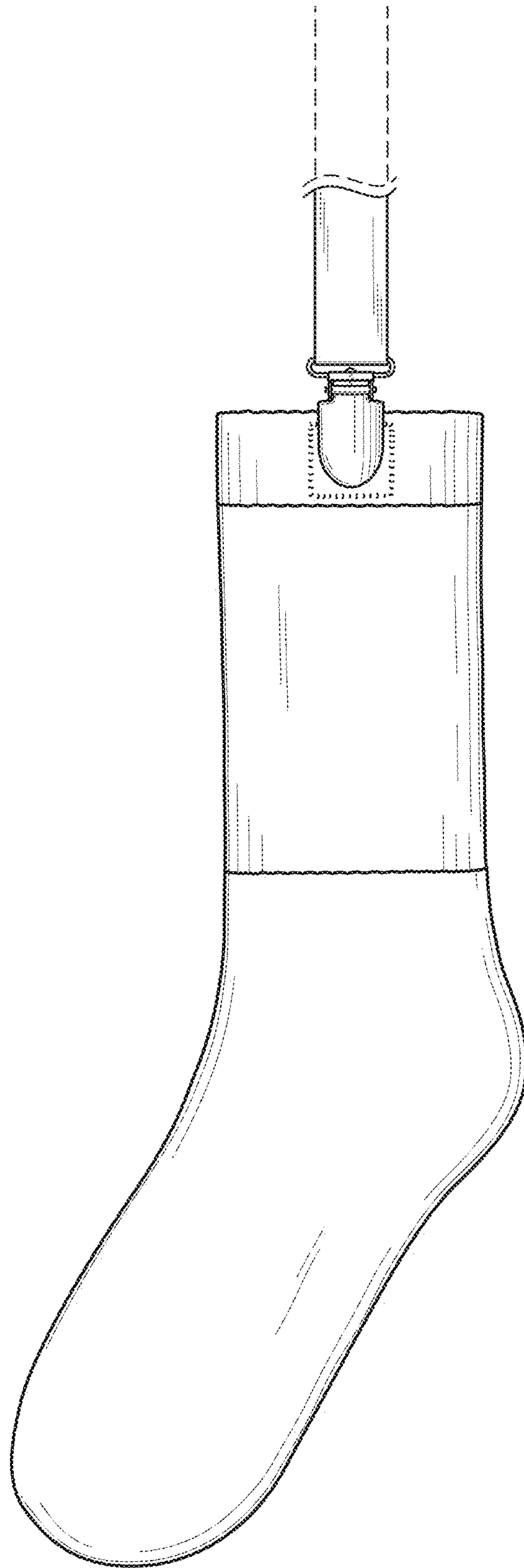


FIG. 16

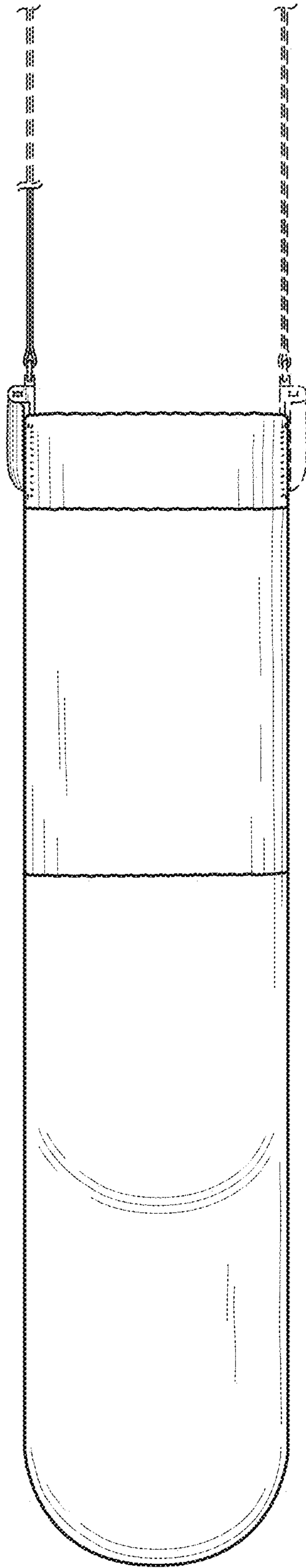


FIG. 17

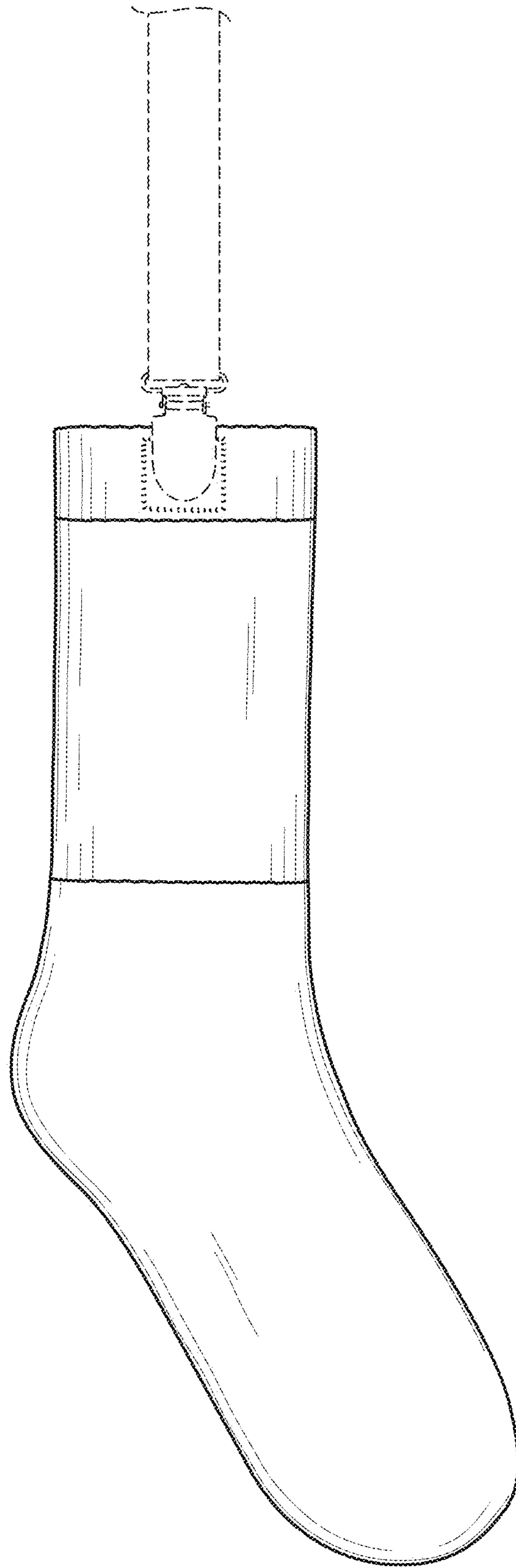


FIG. 18

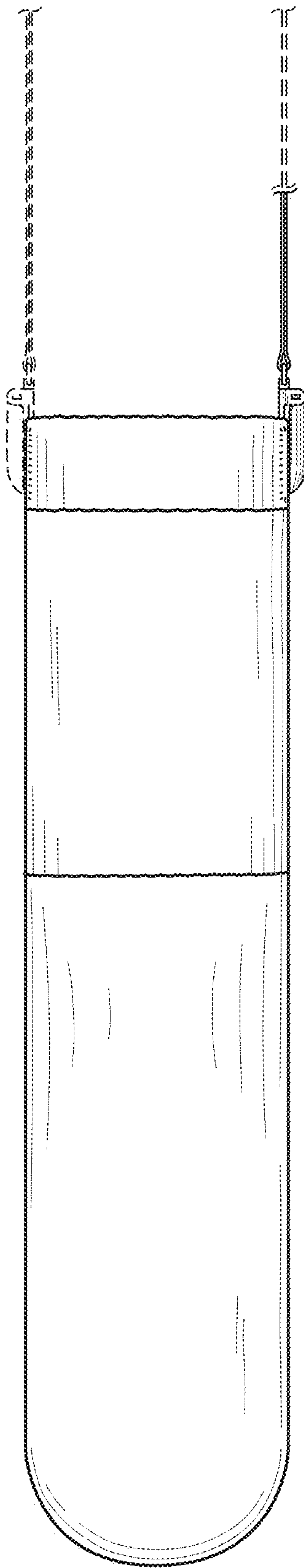


FIG. 19

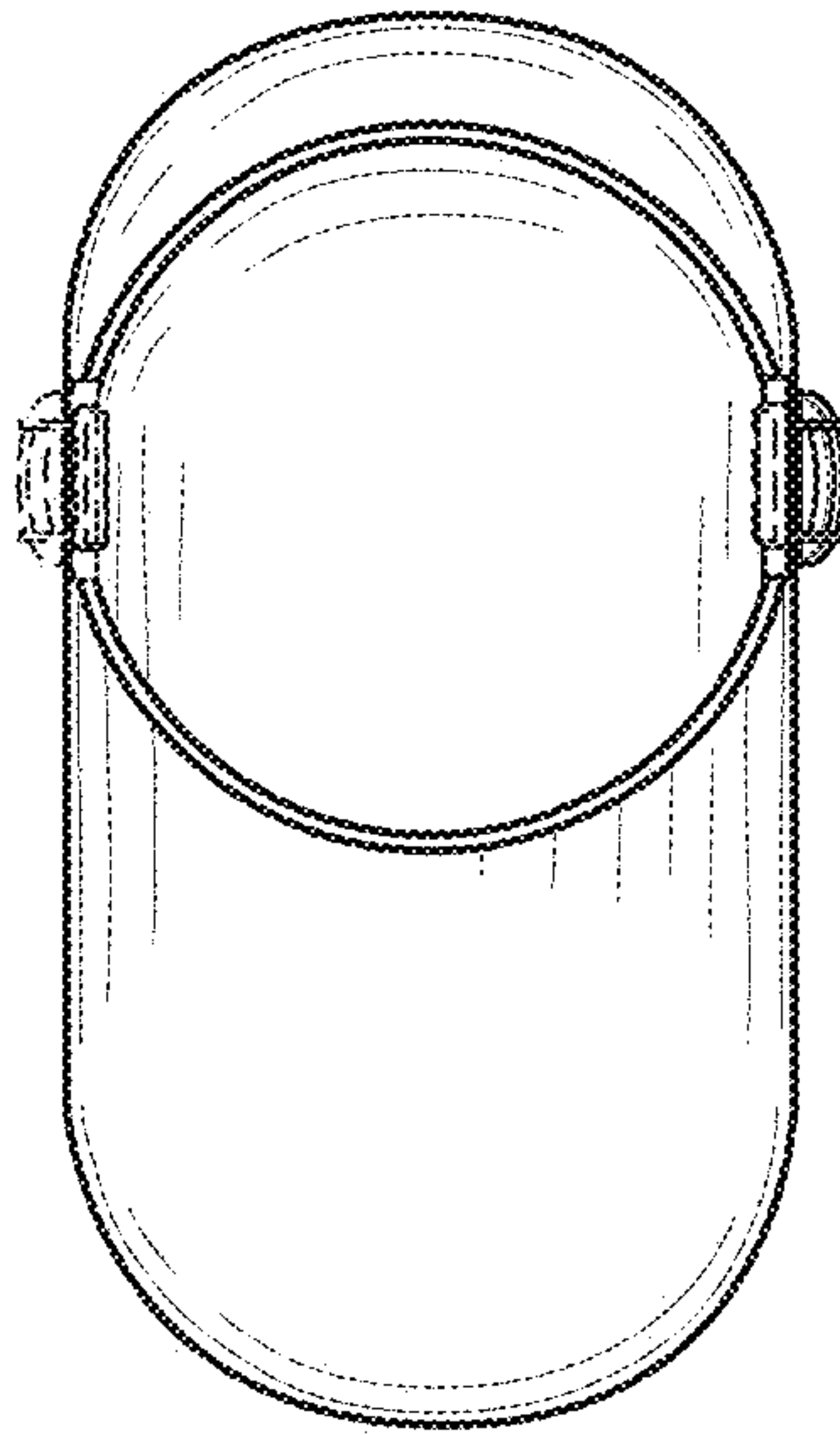


FIG. 20

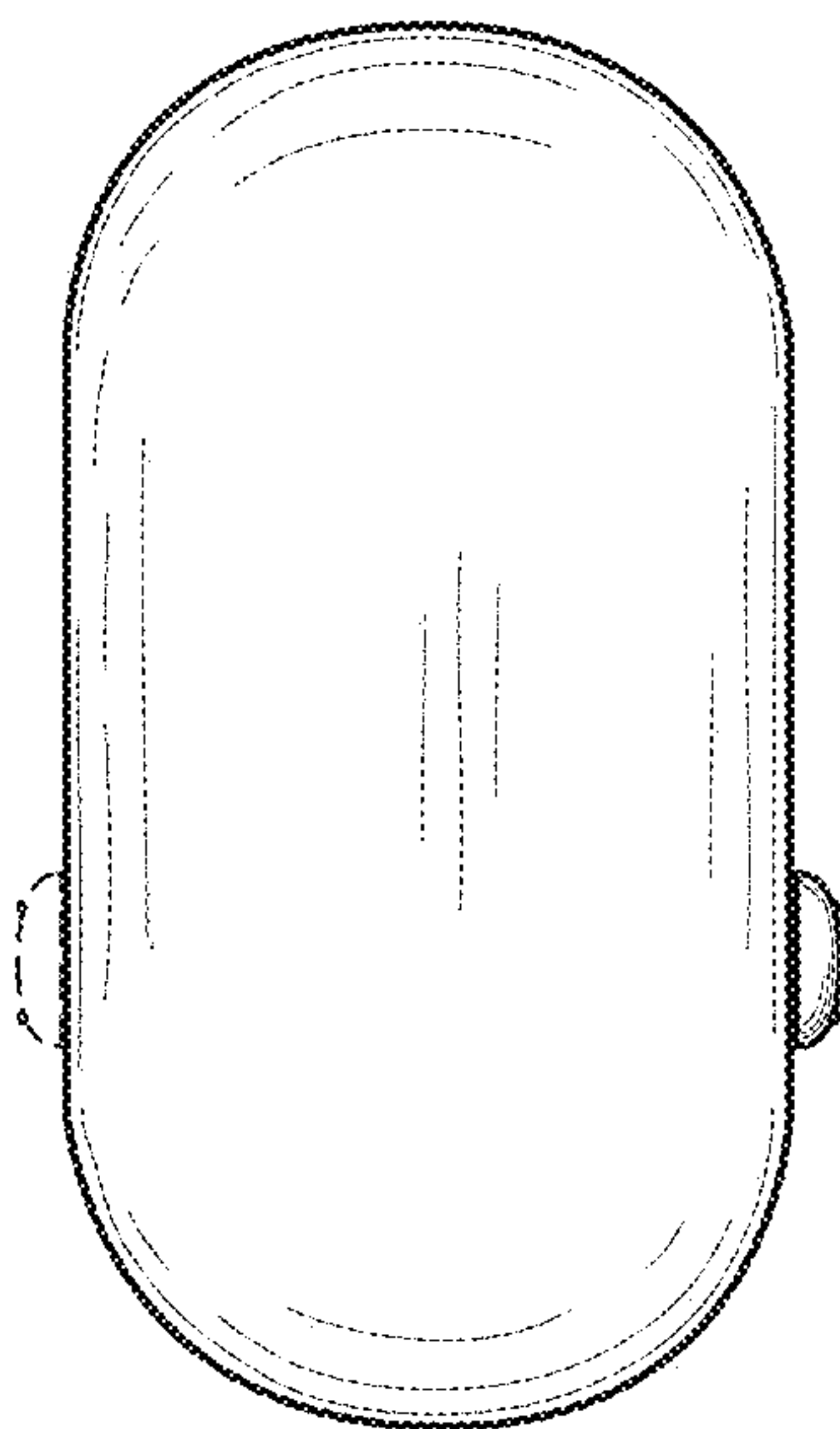


FIG. 21