



US00D920653S

(12) **United States Design Patent** (10) **Patent No.:** **US D920,653 S**  
**Eckhaus et al.** (45) **Date of Patent:** **\*\* Jun. 1, 2021**

(54) **FOOTWEAR UPPER**  
(71) Applicant: **Deckers Outdoor Corporation**, Goleta, CA (US)  
(72) Inventors: **Mike Eckhaus**, Brooklyn, NY (US); **Zoe Latta**, Los Angeles, CA (US); **Rizza Dumlao**, Santa Barbara, CA (US)  
(73) Assignee: **Deckers Outdoor Corporation**, Goleta, CA (US)

D227,197 S \* 6/1973 Fukuoka ..... D2/910  
D227,419 S \* 6/1973 Lachmayr ..... D2/924  
D256,178 S \* 8/1980 Rigon ..... D2/910  
4,270,285 A \* 6/1981 Antonious ..... A43B 3/08  
24/306  
D270,205 S \* 8/1983 Casetta ..... D2/912  
D394,539 S \* 5/1998 Baker ..... D2/910  
D400,342 S \* 11/1998 Davidowitz ..... D2/909  
D539,024 S \* 3/2007 Belley ..... D2/970

(Continued)

(\*\*) Term: **15 Years**

(21) Appl. No.: **29/722,163**

(22) Filed: **Jan. 27, 2020**

(51) **LOC (13) Cl.** ..... **02-04**

(52) **U.S. Cl.**  
USPC ..... **D2/970**

(58) **Field of Classification Search**  
USPC ..... D2/896, 901-905, 909-916, 918, D2/919-922, 923-925, 935, 943, 944, D2/961, 969, 970, 971, 979  
CPC ..... A43B 23/022; A43B 23/0225; A43B 23/0235; A43B 23/024; A43B 23/027; A43B 23/04; A43B 23/045; A43B 23/047; A43B 23/00; A43B 23/02; A43B 23/0205; A43B 23/021; A43B 23/0215; A43B 3/02; A43B 3/04; A43B 3/06; A43B 3/08; A43B 1/00; A43B 1/02; A43B 1/04; A43B 1/06; A43B 1/08; A43B 1/10; A43B 1/14; A43B 5/00; A43B 5/002; A43B 5/006; A43B 5/04; A43B 5/0401; A43B 5/0405; A43B 5/06; A43B 5/08; A43B 5/10; A43B 5/16; A43B 5/1616

See application file for complete search history.

(56) **References Cited**

**U.S. PATENT DOCUMENTS**

D33,991 S \* 1/1901 Watkinson ..... D2/910  
D139,147 S \* 10/1944 Britton ..... D2/910

**OTHER PUBLICATIONS**

UGG Australia catalog, Fall/Winter 1999, "Classic" and "Ultra" styles, p. 2 and p. 6, Nov. 1999.

(Continued)

*Primary Examiner* — Marissa J Cash  
*Assistant Examiner* — Yelizaveta Y Masalimova  
(74) *Attorney, Agent, or Firm* — Greer, Burns & Crain, Ltd.

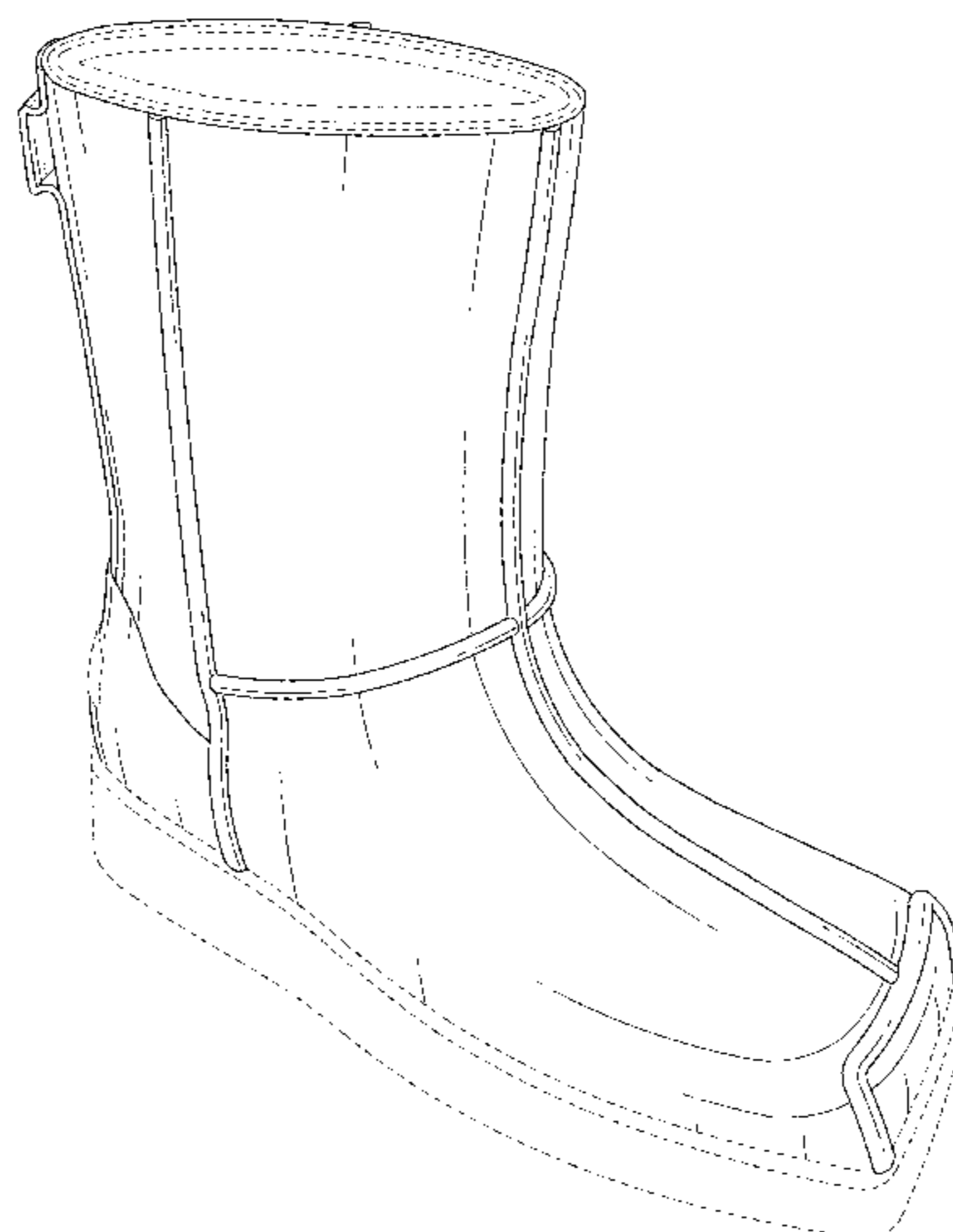
(57) **CLAIM**

The ornamental design for a footwear upper, as shown and described.

**DESCRIPTION**

FIG. 1 is a front perspective view of a footwear upper showing our new design;  
FIG. 2 is a side elevational view thereof;  
FIG. 3 is an opposite side elevational view thereof;  
FIG. 4 is a front elevational view thereof;  
FIG. 5 is a rear elevational view thereof;  
FIG. 6 is a top plan view thereof; and,  
FIG. 7 is a bottom plan view thereof.  
The broken lines immediately adjacent the shaded areas represent the bounds of the claimed design while all other broken lines are directed to environment and are for illustrative purposes only; the broken lines form no part of the claimed design.

**1 Claim, 5 Drawing Sheets**



(56)

**References Cited**

U.S. PATENT DOCUMENTS

D543,342	S	*	5/2007	Andersen	.....	D2/919
D561,983	S	*	2/2008	FitzGerald	.....	D2/909
D572,894	S	*	7/2008	Le	.....	D2/970
D584,039	S	*	1/2009	Horne	.....	D2/970
D599,999	S	*	9/2009	MacIntyre	.....	D2/911
D608,987	S	*	2/2010	Taplin	.....	D2/909
D609,885	S	*	2/2010	Briggs	.....	D2/910
D612,587	S	*	3/2010	Wang	.....	D2/910
D616,190	S	*	5/2010	MacIntyre	.....	D2/970
D638,208	S	*	5/2011	Lee	.....	D2/912
D646,475	S	*	10/2011	Boncutter	.....	D2/970
D648,928	S	*	11/2011	Flenley	.....	D2/910
D668,026	S	*	10/2012	Zacharias	.....	A43B 3/02
						D2/910
D704,426	S	*	5/2014	Dillenbeck	.....	D2/970
D708,431	S	*	7/2014	Dillenbeck	.....	D2/970
D754,425	S	*	4/2016	Deas	.....	D2/970
D755,494	S	*	5/2016	Todd	.....	D2/970

D766,563	S	*	9/2016	Radabaugh	.....	D2/970
D772,548	S	*	11/2016	Radabaugh	.....	D2/970
D774,736	S	*	12/2016	Shen	.....	D2/924
D788,432	S	*	6/2017	MacIntyre	.....	D2/970
D871,045	S	*	12/2019	Ringholz	.....	D2/970
2011/0225849	A1	*	9/2011	Zubyk	.....	A43B 3/02
						36/136
2015/0173449	A1	*	6/2015	Weitzman	.....	A43B 23/0265
						36/102
2015/0289580	A1	*	10/2015	Holt	.....	A43B 7/12
						36/102
2018/0103728	A1	*	4/2018	Koo	.....	A43D 8/16

OTHER PUBLICATIONS

Eckhaus Latta website <eckhauslatta.com>, Spring/Summer 2016 line featuring “Not Clog” style seen on models, <https://www.eckhauslatta.com/collections#s-s-2016> , 2016.

\* cited by examiner

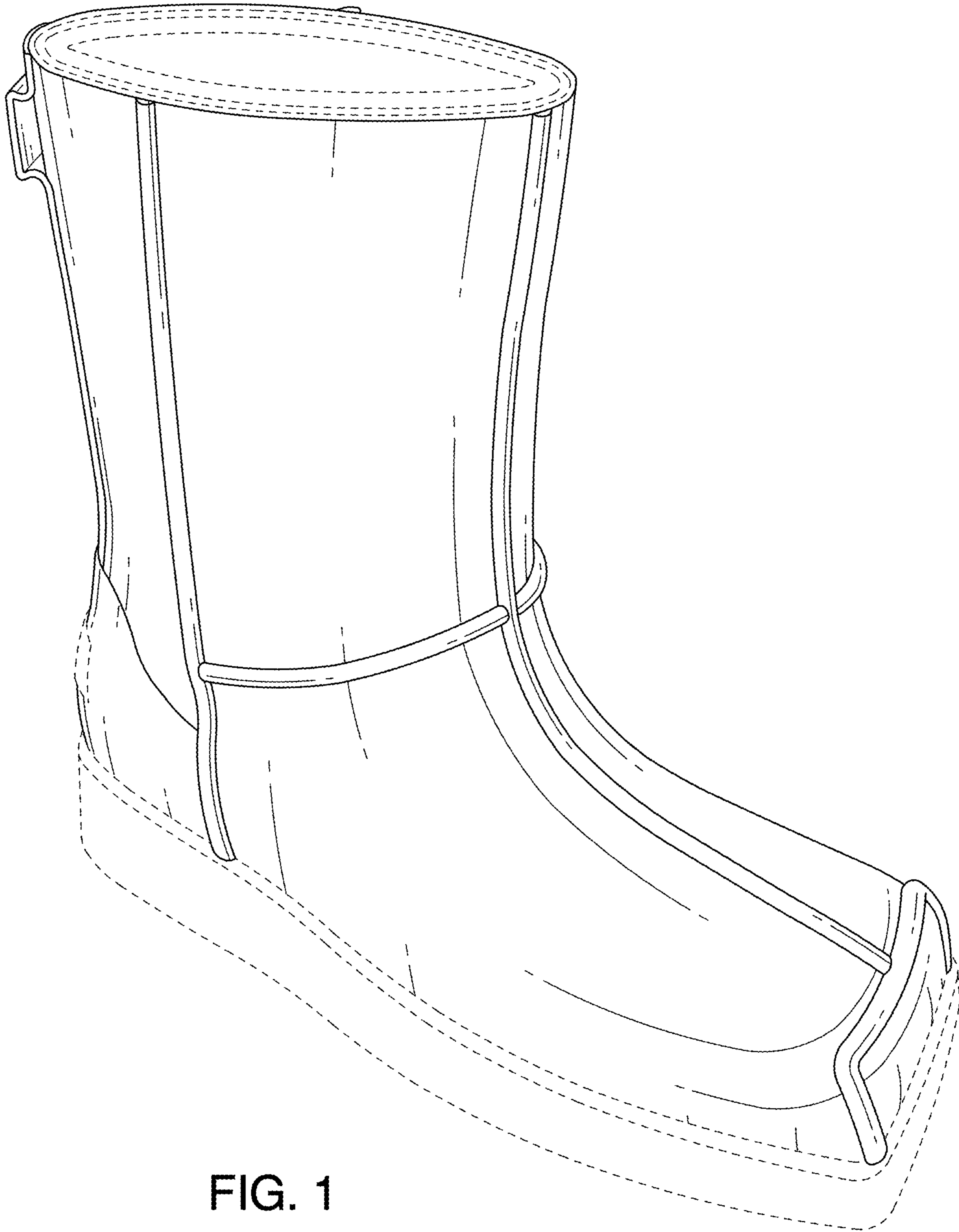


FIG. 1

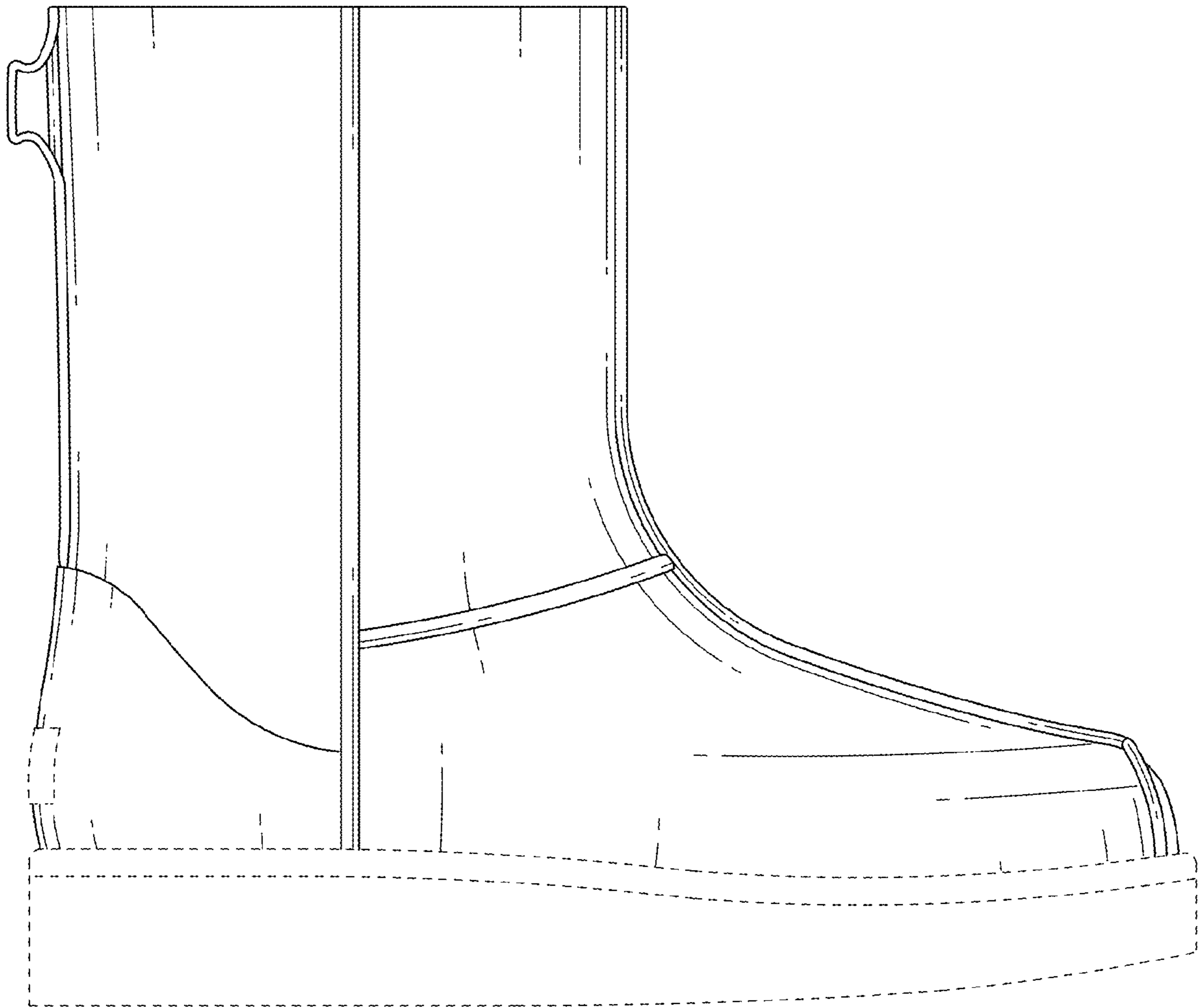


FIG. 2

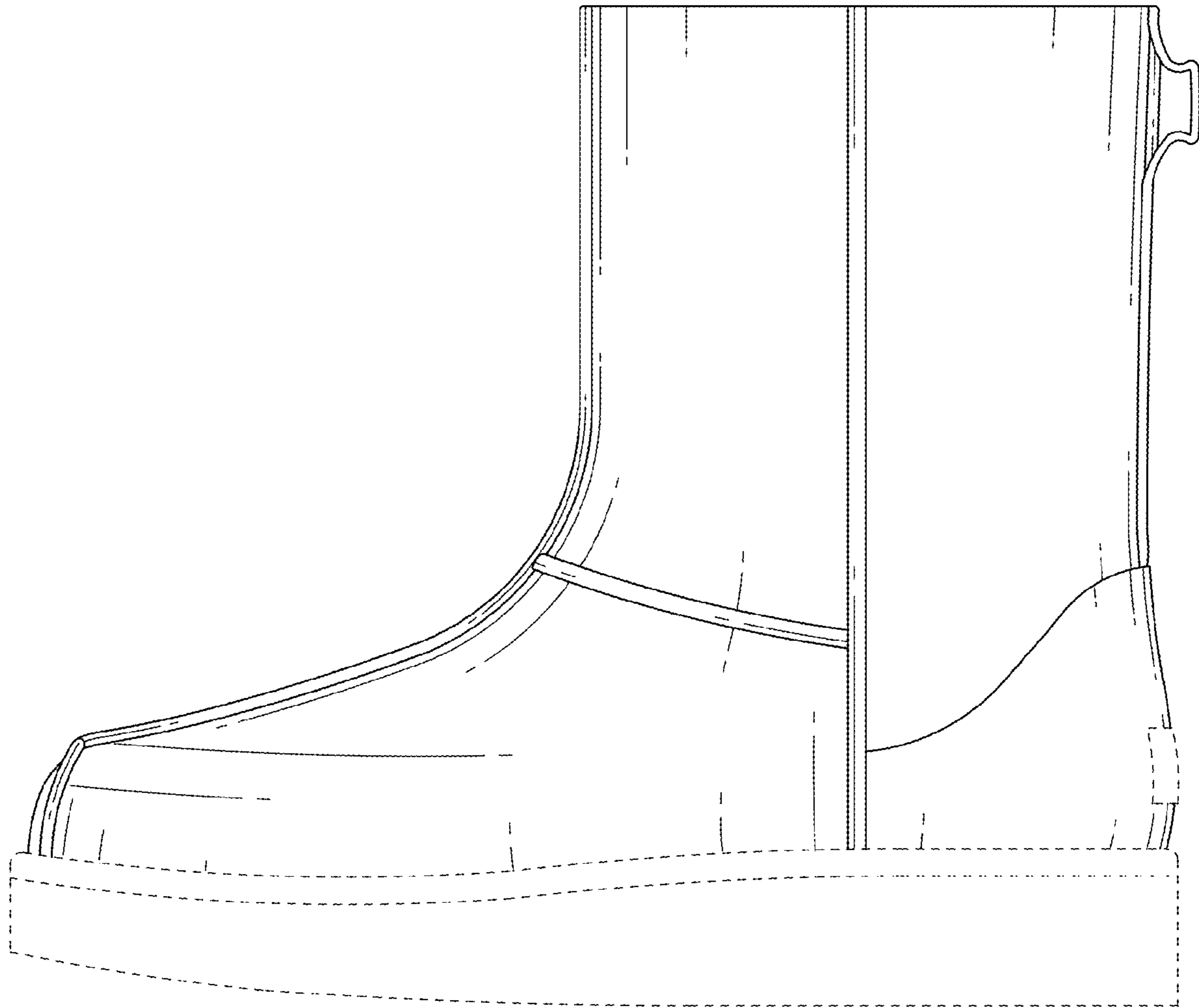


FIG. 3

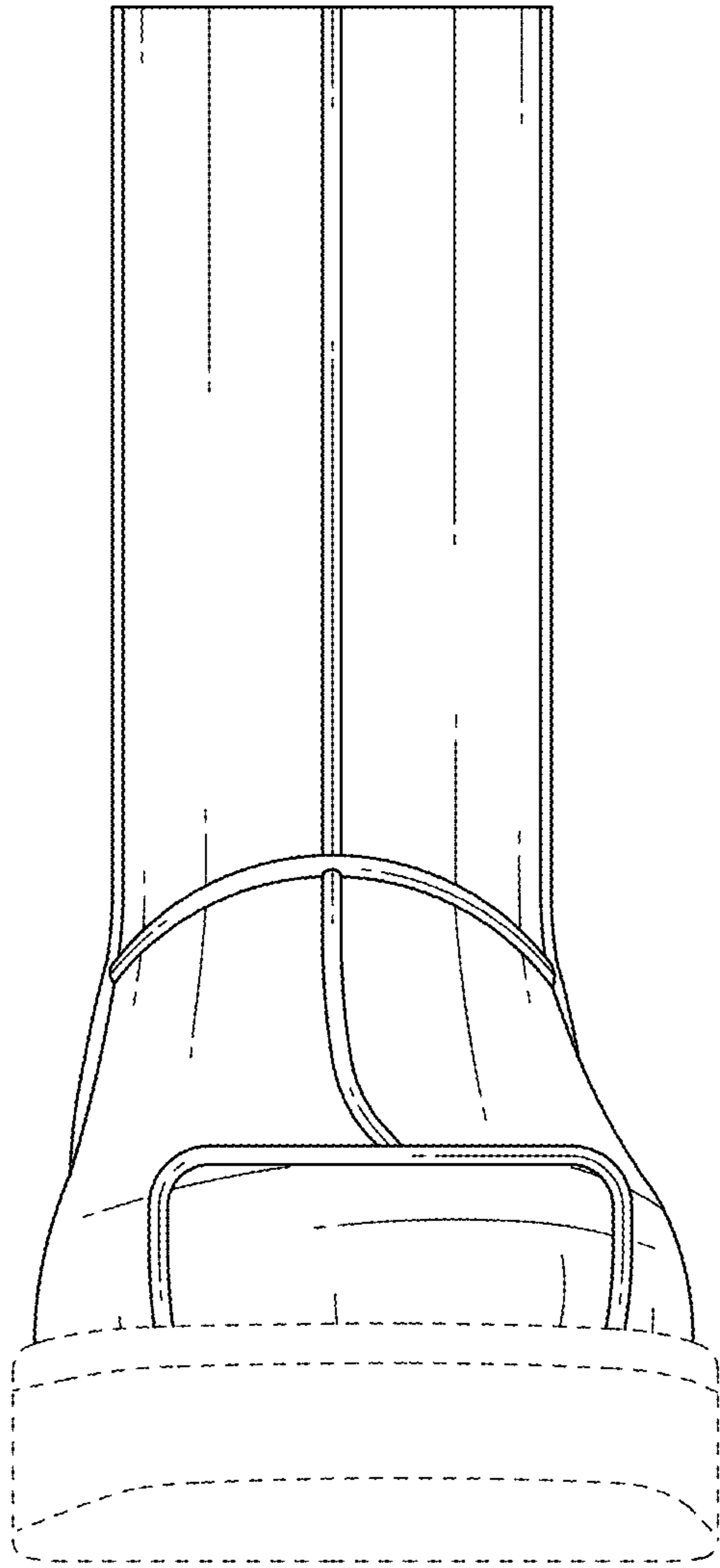


FIG. 4

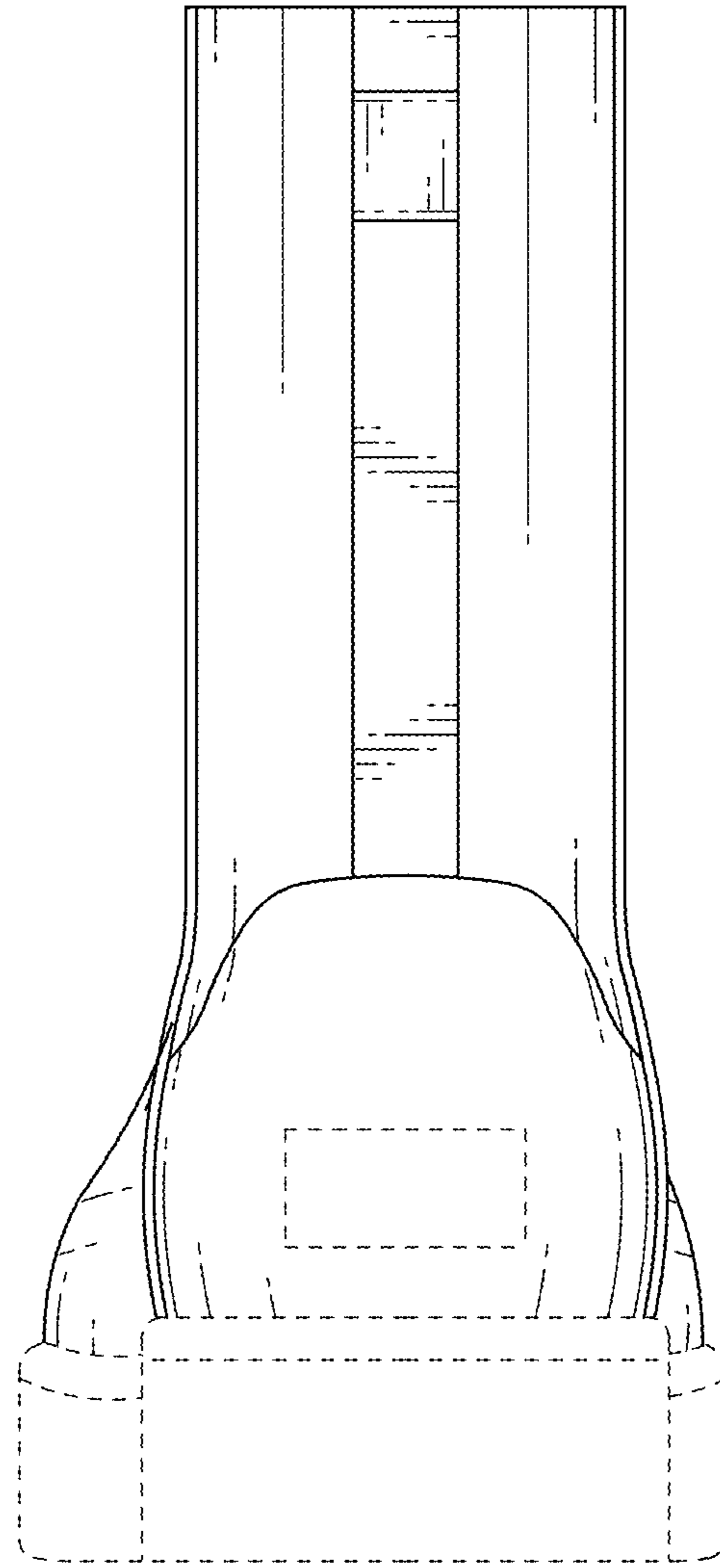


FIG. 5

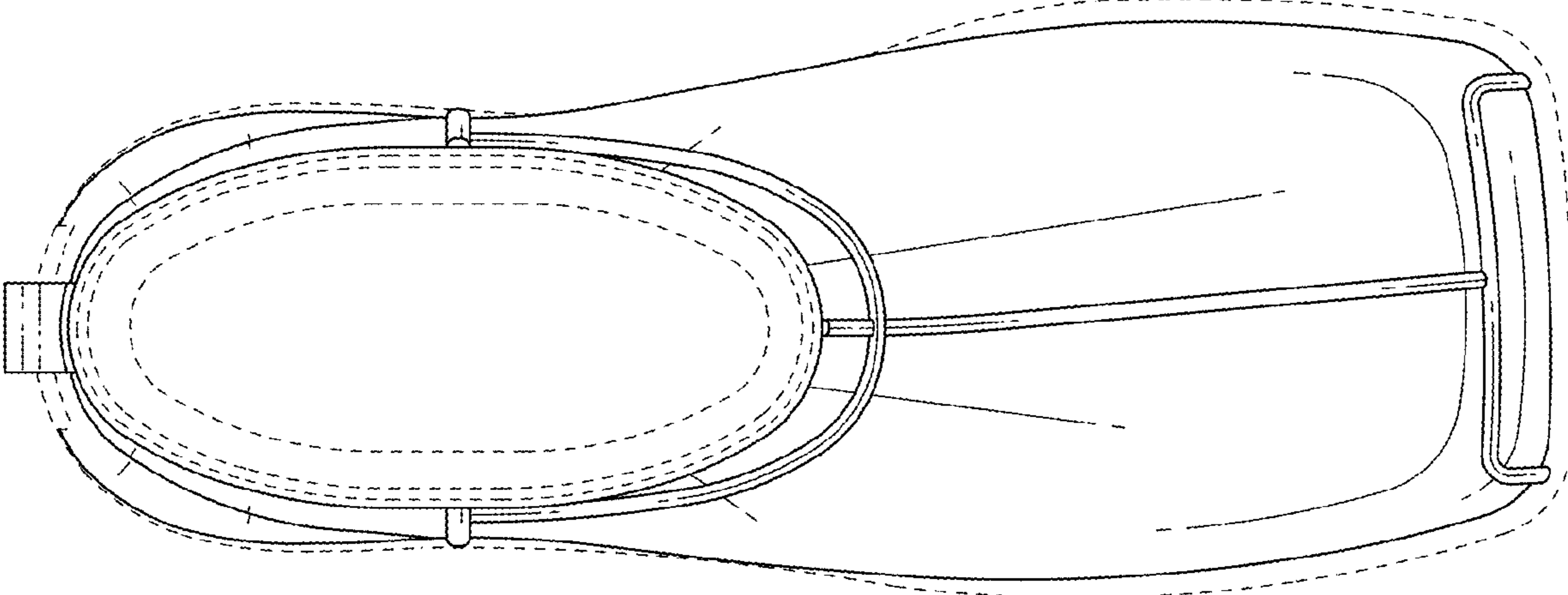


FIG. 6

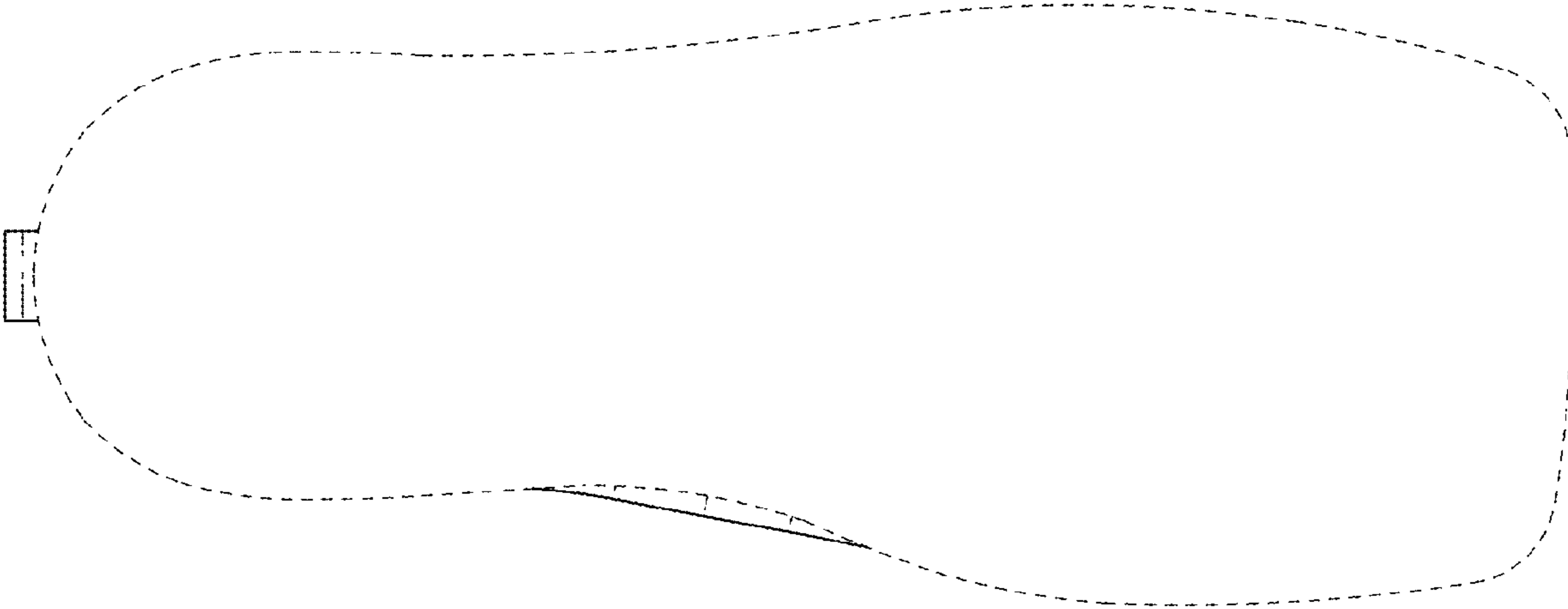


FIG. 7