



US00D920652S

(12) **United States Design Patent** (10) **Patent No.:** **US D920,652 S**  
**Frain Terras** (45) **Date of Patent:** **\*\* Jun. 1, 2021**

(54) **FOOTWEAR UPPER AND MIDSOLE**  
(71) Applicant: **Deckers Outdoor Corporation**, Goleta, CA (US)

D354,846 S \* 1/1995 Minkin ..... D2/916  
D377,860 S \* 2/1997 Renault ..... D2/916  
D415,877 S \* 11/1999 Wright ..... D2/916  
(Continued)

(72) Inventor: **Helene Anne Frain Terras**, Santa Barbara, CA (US)

FOREIGN PATENT DOCUMENTS

CN 304615841 \* 5/2018

(73) Assignee: **Deckers Outdoor Corporation**, Goleta, CA (US)

OTHER PUBLICATIONS

Amazon.com UGG Unisex Cozy Slipper, announced Aug. 16, 2017 [online], [site visited Apr. 9, 2021]. Available from internet, URL: [https://www.amazon.com/UGG-Girls-Slipper-Chestnut-Little/dp/B01N5VL2RB/ref=pd\\_rhf\\_sc\\_p\\_img\\_3?\\_encoding=UTF8&psc=1&refRID=553AHGAH79VSN4KSPE05](https://www.amazon.com/UGG-Girls-Slipper-Chestnut-Little/dp/B01N5VL2RB/ref=pd_rhf_sc_p_img_3?_encoding=UTF8&psc=1&refRID=553AHGAH79VSN4KSPE05) (Year: 2017).\*

(\*\*) Term: **15 Years**

(Continued)

(21) Appl. No.: **29/714,233**

(22) Filed: **Nov. 21, 2019**

(51) **LOC (13) Cl.** ..... **02-04**

(52) **U.S. Cl.**  
USPC ..... **D2/969**; D2/932

(58) **Field of Classification Search**  
USPC ..... 36/7.2, 7.7, 7.5, 8.1, 11.5, 9 R, 9 A, 10, 36/11, 7.3, 7.6, 4, 26; D2/896-901, 909, D2/913, 916-922, 923-927, 929, 930, D2/932, 939, 943-945, 946, 947-960, D2/965, 969, 971, 978  
CPC ..... A43B 23/00; A43B 23/02; A43B 23/0205; A43B 23/021; A43B 23/0215; A43B 3/04; A43B 3/08; A43B 3/10; A43B 3/101; A43B 3/102; A43B 3/106; A43B 3/107; A43B 3/108; A43B 3/12; A43B 3/14; A43B 3/18; A43B 3/20; A43B 13/00; A43B 13/02; A43B 13/04; A43B 13/12; A43B 3/24; A43B 3/242; A43B 3/244; A43B 3/246; A43B 3/248

See application file for complete search history.

*Primary Examiner* — Elizabeth J Oswecki

*Assistant Examiner* — Yelizaveta Y Masalimova

(74) *Attorney, Agent, or Firm* — Greer, Burns & Crain, Ltd.

(57) **CLAIM**

The ornamental design for a footwear upper and midsole, as shown and described.

**DESCRIPTION**

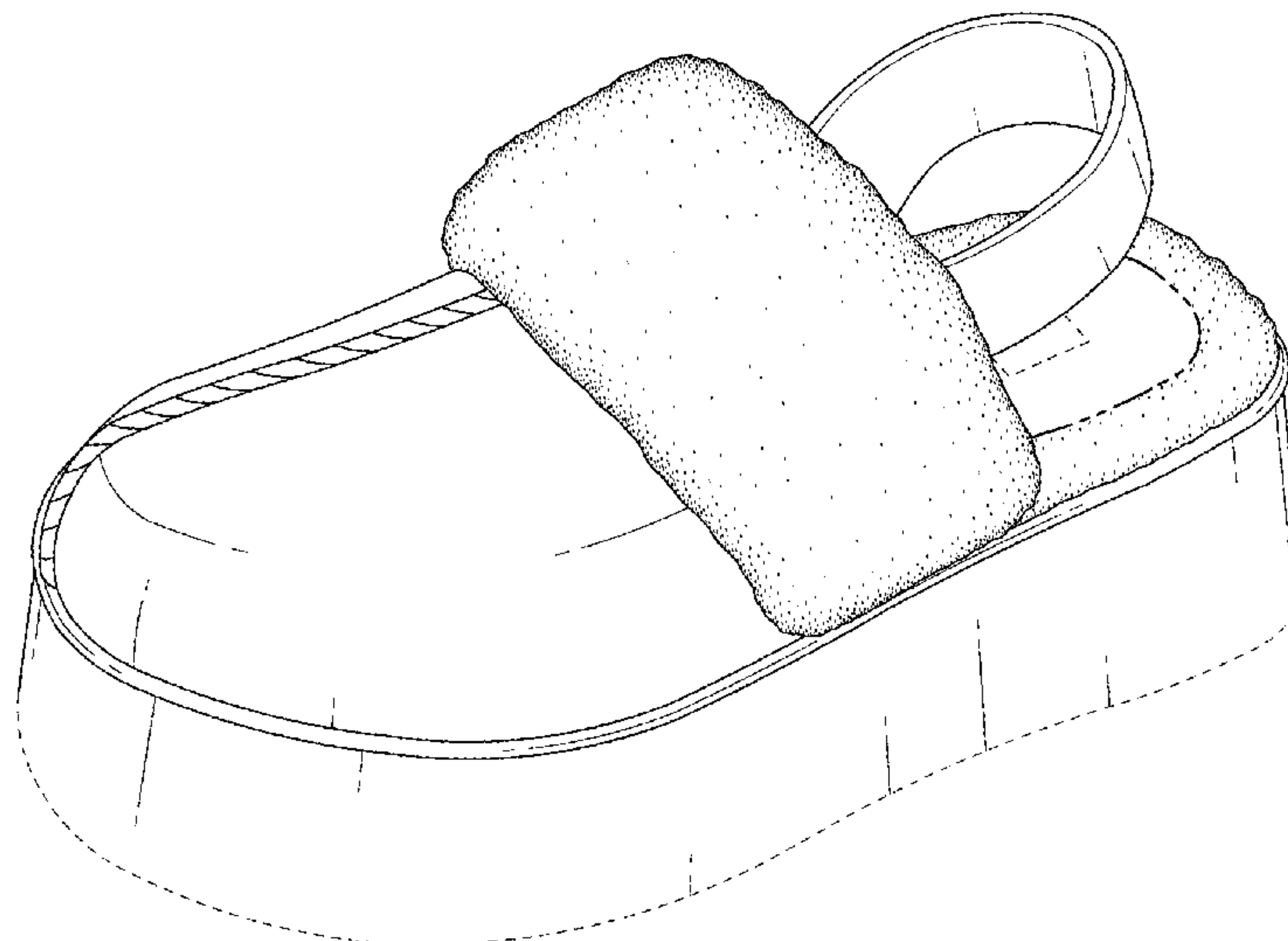
FIG. 1 is a front perspective view of a footwear upper and midsole showing my new design;  
FIG. 2 is a side elevational view thereof;  
FIG. 3 is an opposite side elevational view thereof;  
FIG. 4 is a front elevational view thereof;  
FIG. 5 is a rear elevational view thereof;  
FIG. 6 is a top plan view thereof; and,  
FIG. 7 is a bottom plan view thereof.  
The dot-dot-dash broken lines depict the bounds of the claim. The even dashed broken lines on the insole portion of the footwear depict stitching and form no part of the claimed design. The remaining even dashed broken lines showing the bottom of the shoe sole form no part of the claimed design.

(56) **References Cited**

U.S. PATENT DOCUMENTS

3,810,319 A \* 5/1974 Famolare, Jr. .... A43B 1/14  
36/11.5  
D251,636 S \* 4/1979 Chapman ..... D2/921

**1 Claim, 3 Drawing Sheets**



(56)

References Cited

U.S. PATENT DOCUMENTS

D425,289 S \* 5/2000 Sheppard, Jr. .... D2/909  
 D528,749 S \* 9/2006 Harper ..... D2/919  
 D560,059 S \* 1/2008 Belley ..... D2/969  
 D598,183 S \* 8/2009 Bank ..... D2/921  
 D614,381 S 4/2010 MacIntyre  
 D626,728 S \* 11/2010 Tzenos ..... D2/896  
 D627,544 S \* 11/2010 Carol ..... D2/919  
 D648,512 S \* 11/2011 Schlageter ..... A43B 3/10  
 D2/923  
 D686,806 S \* 7/2013 Belcher ..... D2/909  
 D792,693 S \* 7/2017 MacIntyre ..... D2/969  
 D804,155 S \* 12/2017 Tzenos ..... D2/923  
 D850,763 S \* 6/2019 Golan ..... D2/923  
 D866,941 S 11/2019 Kim  
 D874,797 S \* 2/2020 Fongher ..... D2/923  
 D901,869 S \* 11/2020 Kim ..... D2/969  
 D901,870 S \* 11/2020 Kim ..... D2/969  
 D905,413 S \* 12/2020 Del Biondi ..... D2/972  
 2011/0023335 A1 \* 2/2011 Carol ..... A43B 3/10  
 36/9 R

OTHER PUBLICATIONS

Morgan C. Schimming, "We're making the case for platform sandals this summer" (Ava Ubran Outfitters sandal) announced May 30, 2019 [online], [site visited Apr. 9, 2021]. Available from internet, URL: <https://www.thefashionspot.com/style-trends/835705-best-platform-sandals-for-summer/#/slide/6> (Year: 2019).\*

UGG Australia catalog, Fall/Winter 1999, "Cluggette", "Roo", "Mate" pp. 16-17, Nov. 1999.

UGG Australia catalog, Fall/Winter 2004, "Coquette" p. 13, Nov. 2004.

UGG Australia catalog, Winter 2002 collection, "Fluff Scuff" p. 29, Nov. 2002.

Are Rihanna Puma Fur Slides Worth It? They Aren't Shower Shoes But They Sure Are Comfy, Bustle.com, by Amy Sciarretto, <https://www.bustle.com/articles/161253-are-rihanna-puma-fur-slides-worth-it-they-arent-shower-shoes-but-they-sure-are-comfy>, May 17, 2016.

Puma Drops New Monochrome Platform Sandals, Missbish, by Jana K. Hoffman, at <https://missbish.com/puma-drops-new-monochrome-platform-sandals/> Apr. 2017.

Co-pending design U.S. Appl. No. 29/690,180, filed May 6, 2019.

Co-pending design U.S. Appl. No. 29/699,054, filed Jul. 23, 2019.

\* cited by examiner

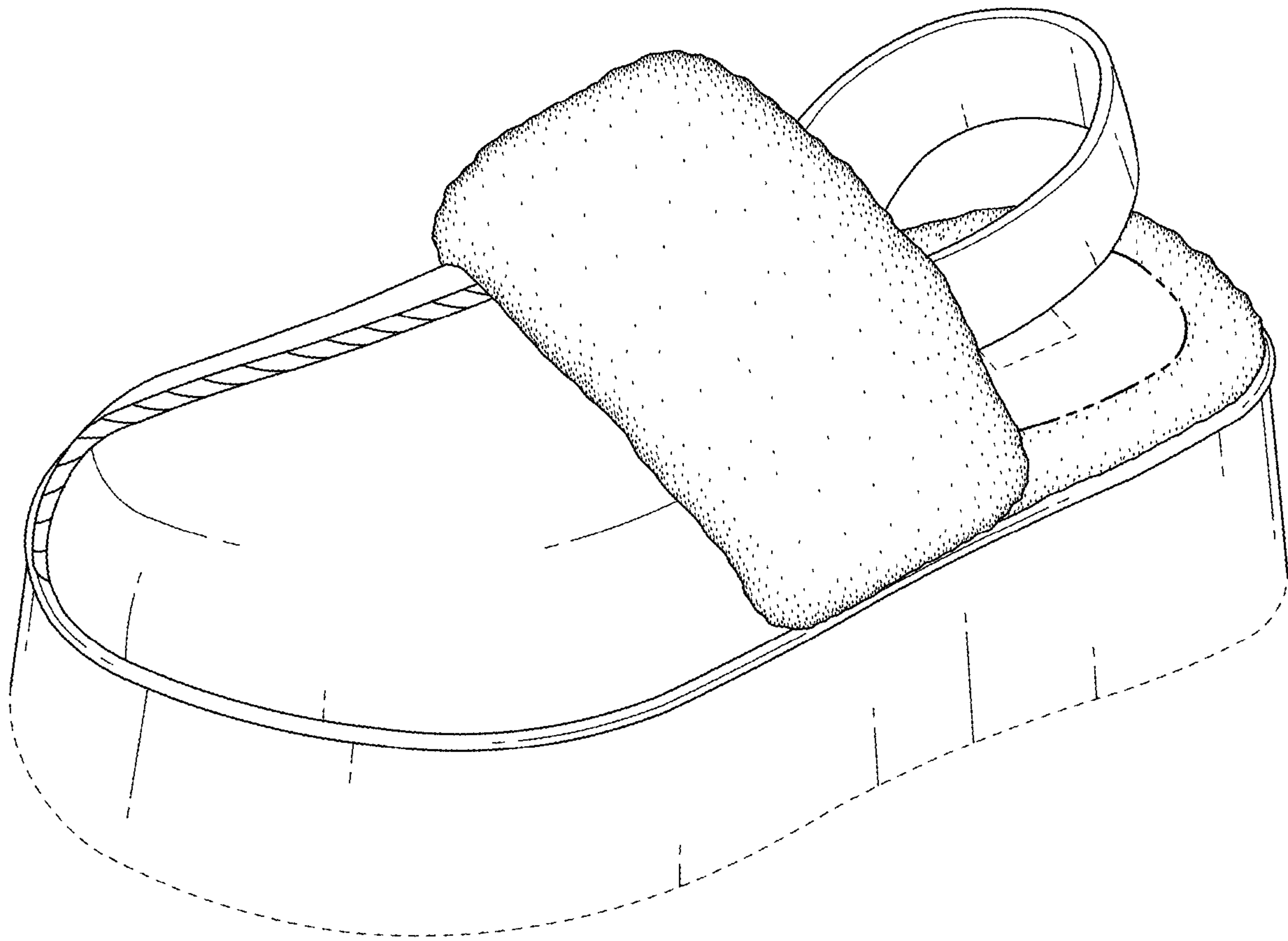


FIG. 1

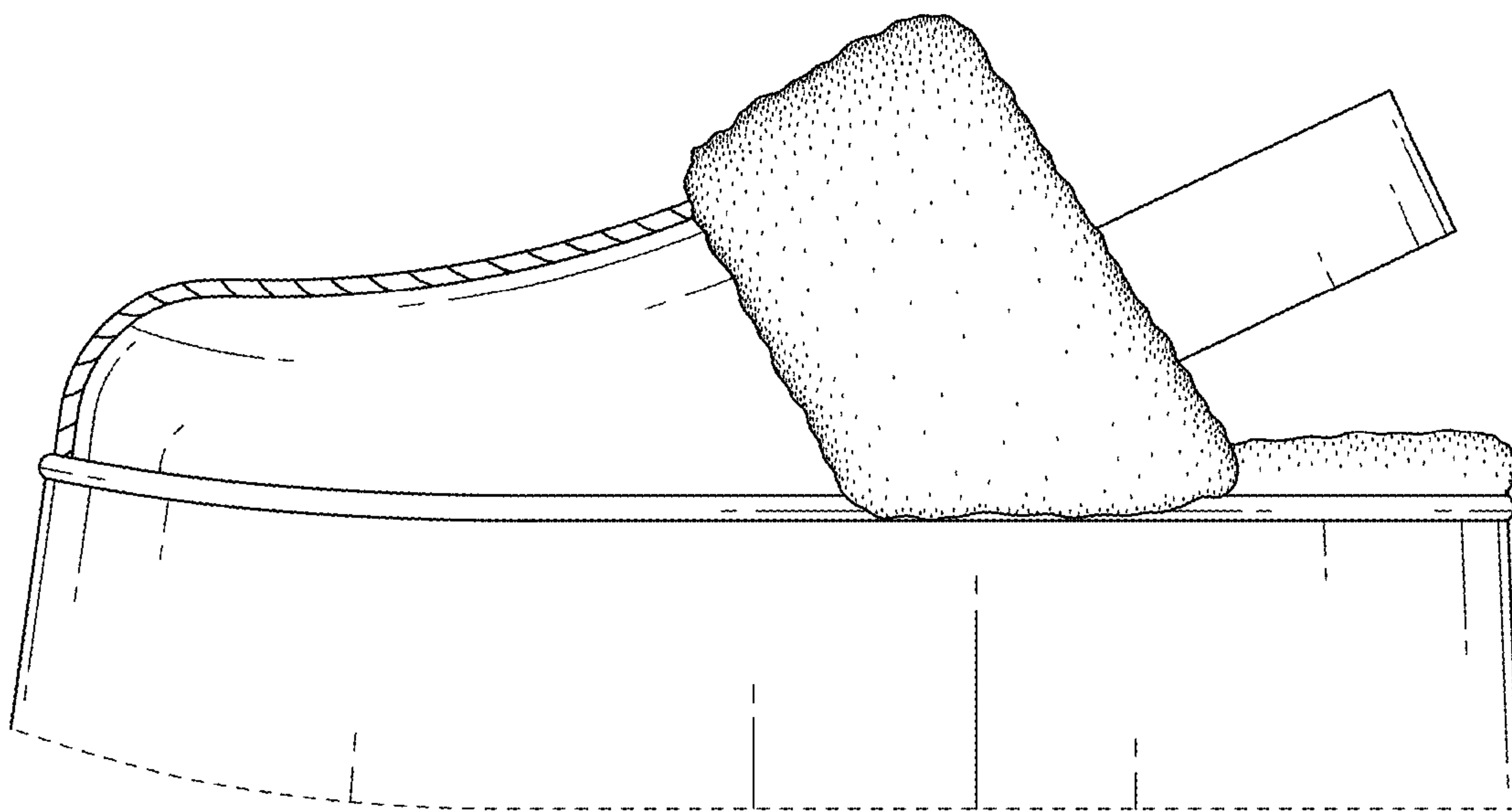


FIG. 2



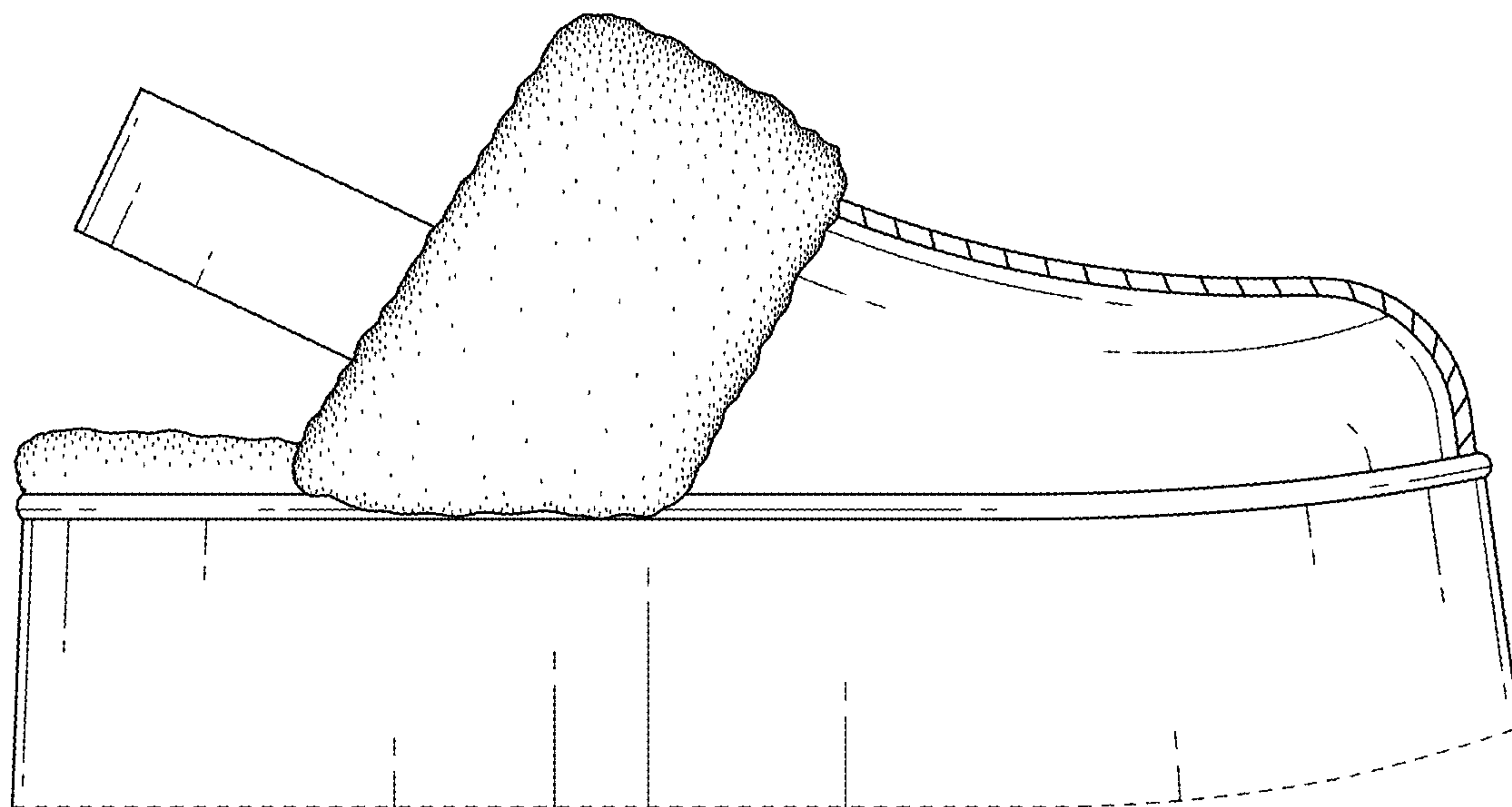


FIG. 3

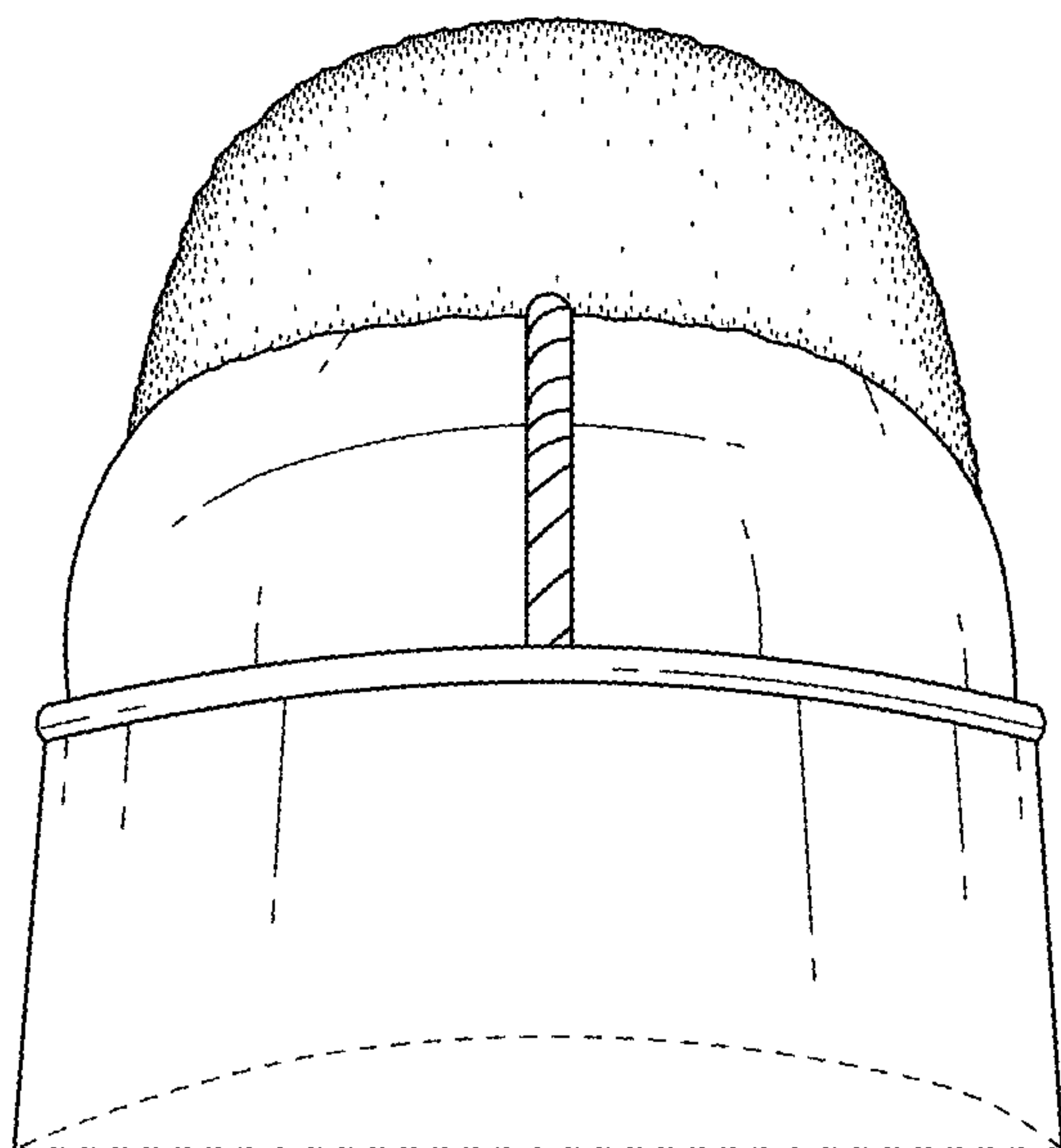


FIG. 4

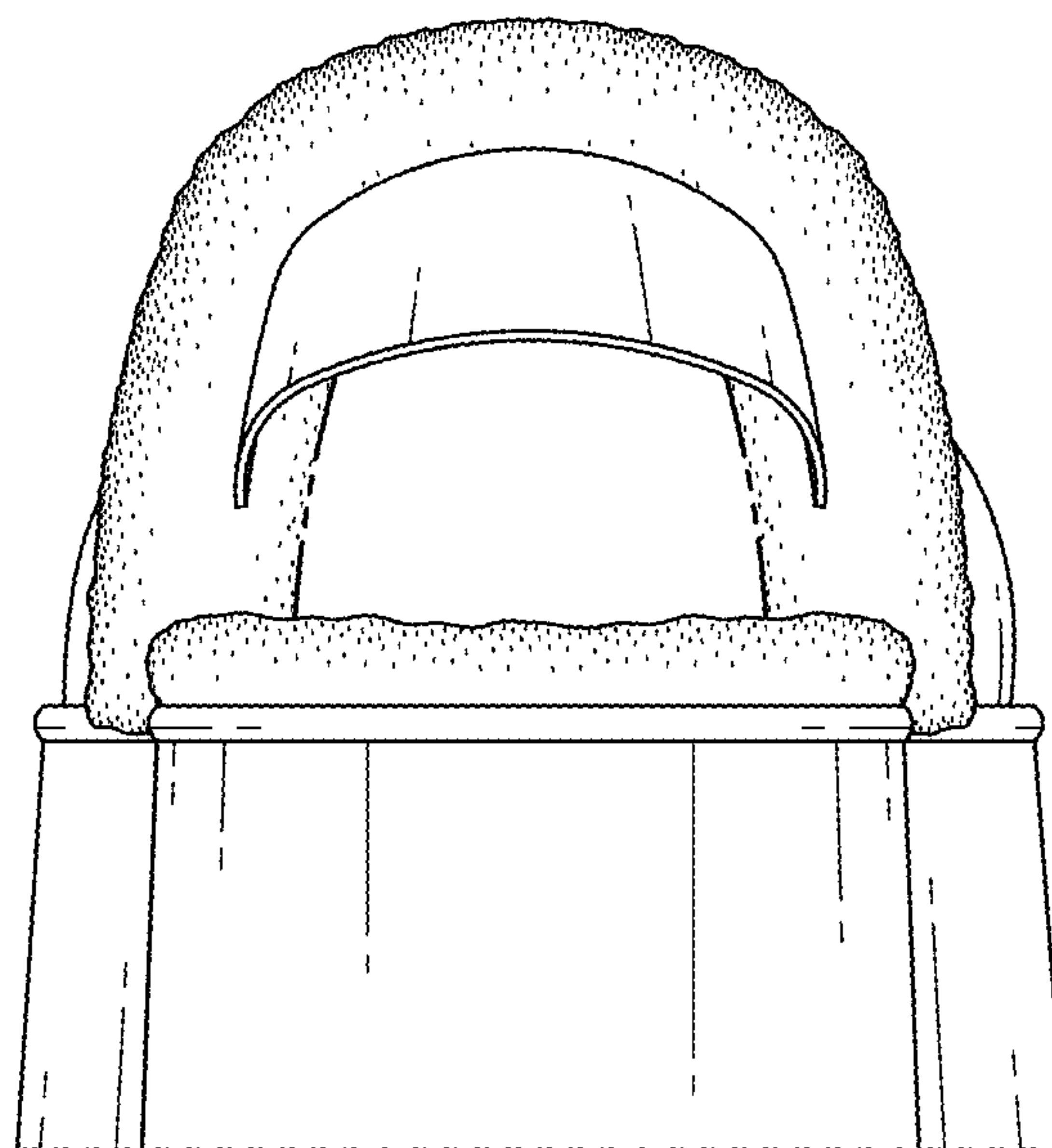


FIG. 5

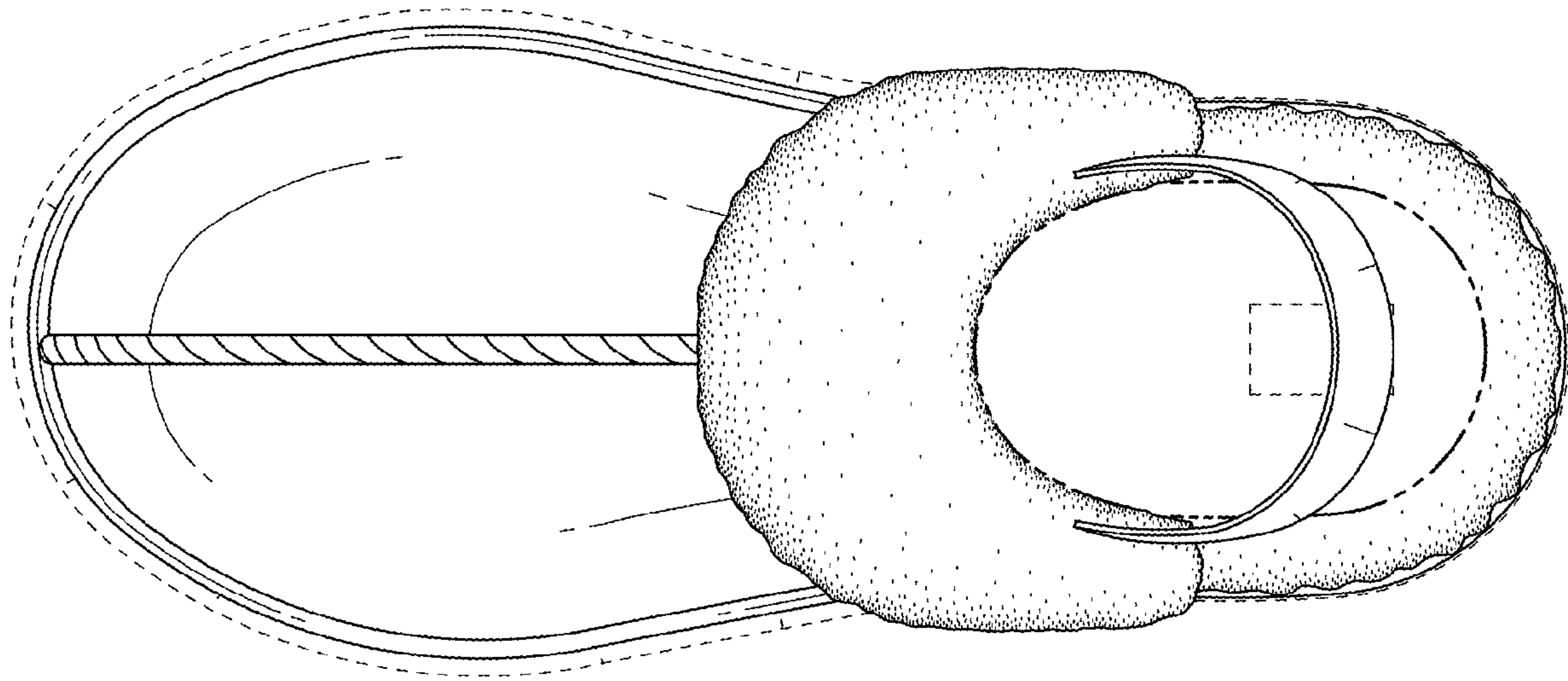


FIG. 6

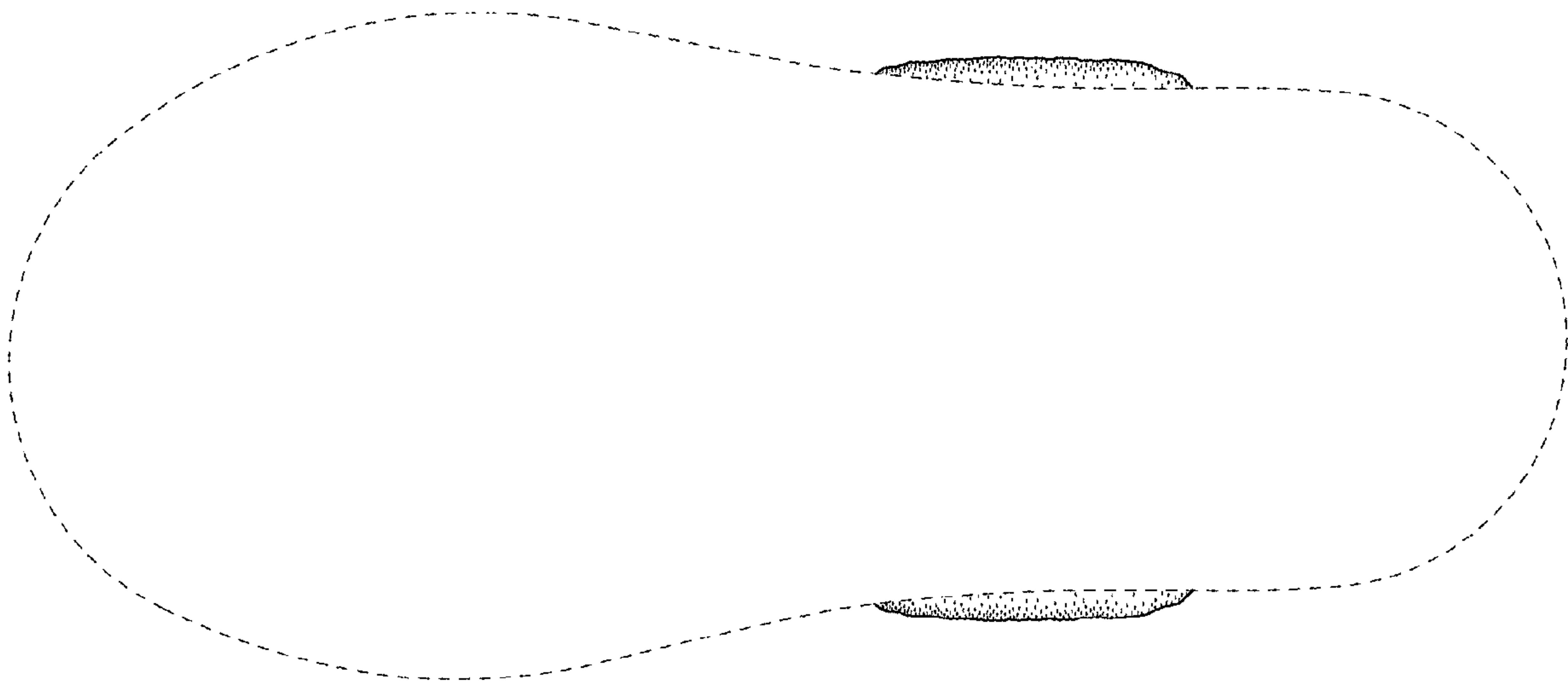


FIG. 7