



US00D920638S

(12) **United States Design Patent** (10) **Patent No.:** **US D920,638 S**
Rayne (45) **Date of Patent:** **** Jun. 1, 2021**

(54) **HEADWEAR**

(71) Applicant: **Damian Rayne**, London (GB)

(72) Inventor: **Damian Rayne**, London (GB)

(**) Term: **15 Years**

(21) Appl. No.: **29/689,093**

(22) Filed: **Apr. 26, 2019**

(30) **Foreign Application Priority Data**

Oct. 30, 2018 (EM) 005812765-0001

(51) **LOC (13) Cl.** **02-03**

(52) **U.S. Cl.**
USPC **D2/877**

(58) **Field of Classification Search**
USPC D2/826, 865, 866, 869, 870, 872, 873,
D2/876, 878, 879, 880, 881, 882, 883,
D2/884, 886, 891, 892, 893, 894, 895,
D2/877; D16/301, 310, 330, 340;
D21/683; D24/189, 190, 191, 192, 206;
D26/120, 139; D29/102, 106, 109, 110,
D29/122

CPC A42B 1/00; A42B 1/004; A42B 1/006;
A42B 1/02; A42B 1/06; A42B 1/061;
A42B 1/062; A42B 1/063; A42B 1/24;
A42B 1/241; A61F 9/02; A61F 9/045;
F21V 21/084; F21V 21/00; F21V 21/18;
F21B 21/22; A41D 20/00; A41D 20/005;
A41D 23/00; A41D 2023/002; A41D
2023/004

See application file for complete search history.

(56) **References Cited**

U.S. PATENT DOCUMENTS

4,698,852 A * 10/1987 Romero A42B 3/00
2/171
D294,710 S * 3/1988 Witzel D16/339

D392,443 S * 3/1998 Preddy D2/894
5,946,734 A * 9/1999 Vogan A42B 3/00
2/171
D523,213 S * 6/2006 Strong D2/894
D575,033 S * 8/2008 Levering D2/867
D826,311 S * 8/2018 Bratakos D16/301
D861,060 S * 9/2019 Zheng D16/301
10,667,951 B2 * 6/2020 Renaud A61F 7/007

(Continued)

FOREIGN PATENT DOCUMENTS

GB 2561858 A 10/2018
WO 2018197571 A1 11/2018

Primary Examiner — Jasmine Mlinarcik

(74) *Attorney, Agent, or Firm* — Dorsey & Whitney LLP

(57) **CLAIM**

I claim the ornamental design for a headwear, as shown and described.

DESCRIPTION

FIG. 1 is a bottom view of a headwear in accordance with the present design.

FIG. 2 is a rear view of the headwear of FIG. 1.

FIG. 3 is a left side view of the headwear of FIG. 1.

FIG. 4 is a right side view of the headwear of FIG. 1.

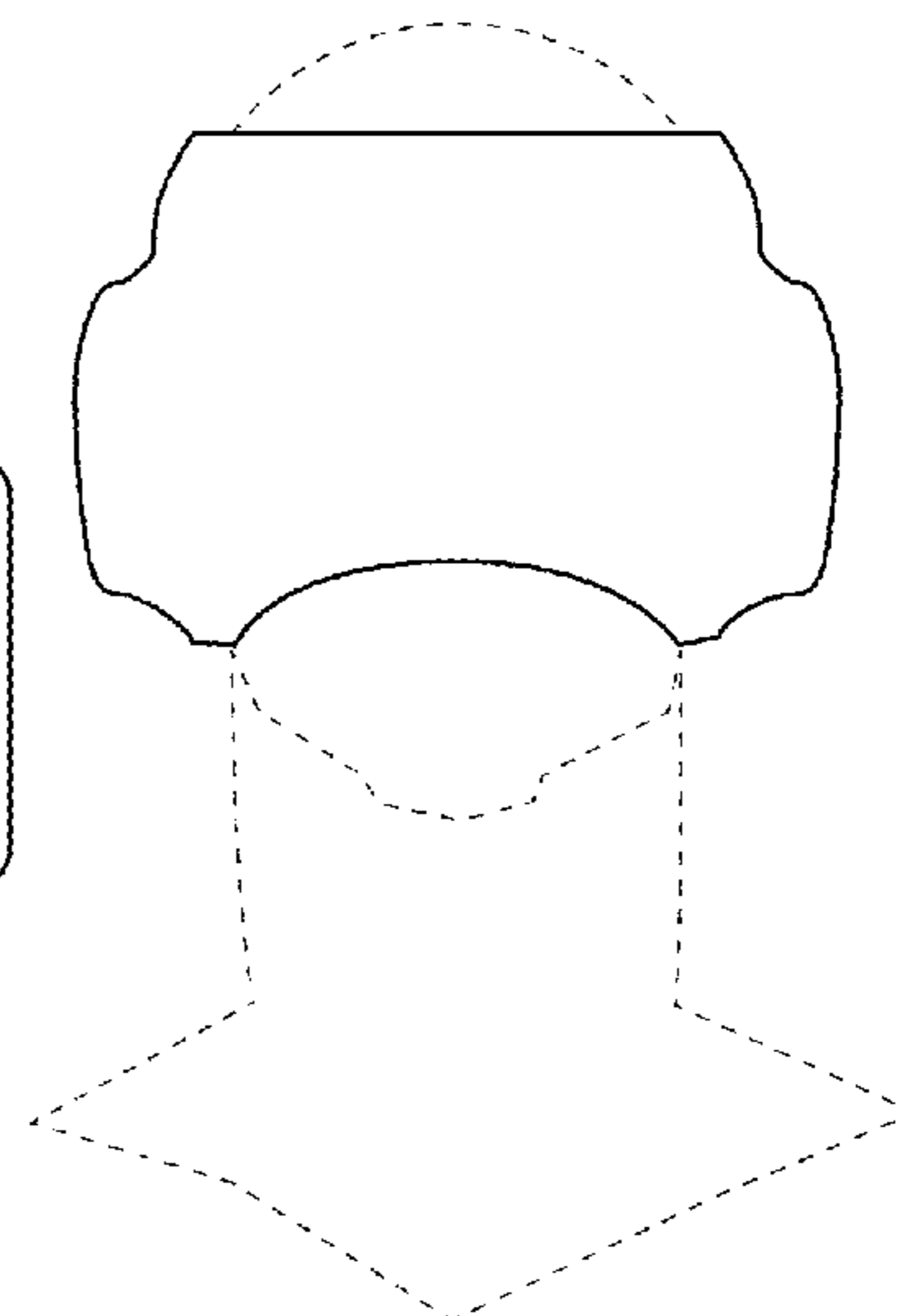
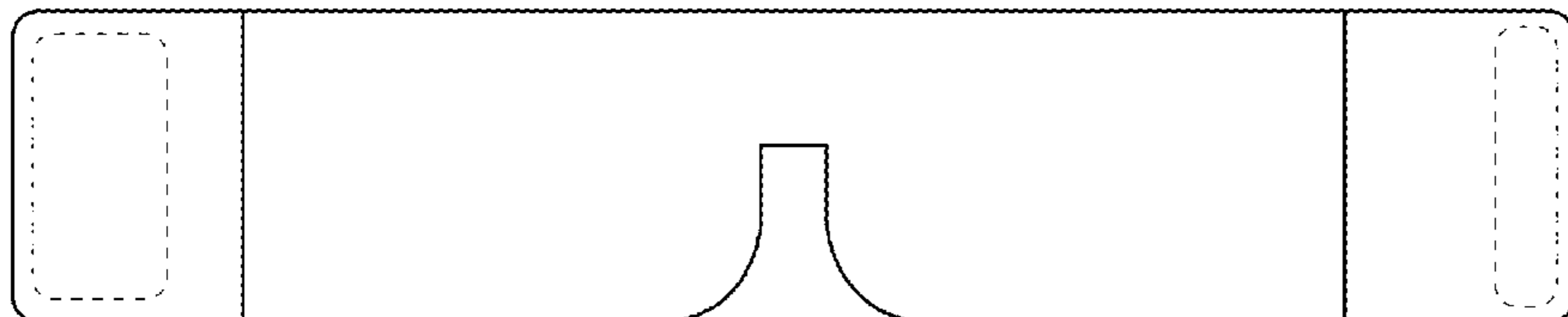
FIG. 5 is a front view of the headwear of FIG. 1 shown in a wearable configuration and in an example environment.

FIG. 6 is a left side view of the headwear of FIG. 1 in the example environment of FIG. 5; and,

FIG. 7 is a rear view of the headwear of FIG. 1 in the example environment of FIG. 5.

The two rectangle-shaped outlines defined by broken lines along the surface of the headwear in FIG. 2 depict features of the headwear that form no part of the claimed design. The form of a partial human figure outlined by broken lines in the views of FIGS. 5-7 depicts environmental structure to assist in illustrating how the claimed design may appear when in a position of use and forms no part of the claimed design.

1 Claim, 5 Drawing Sheets



(56)

References Cited

U.S. PATENT DOCUMENTS

2009/0271904 A1* 11/2009 Bentley A41D 20/00
2/15
2016/0008175 A1* 1/2016 Bergman A61F 9/04
2/171.2

* cited by examiner

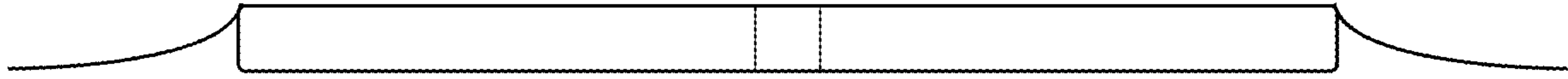


FIG. 1

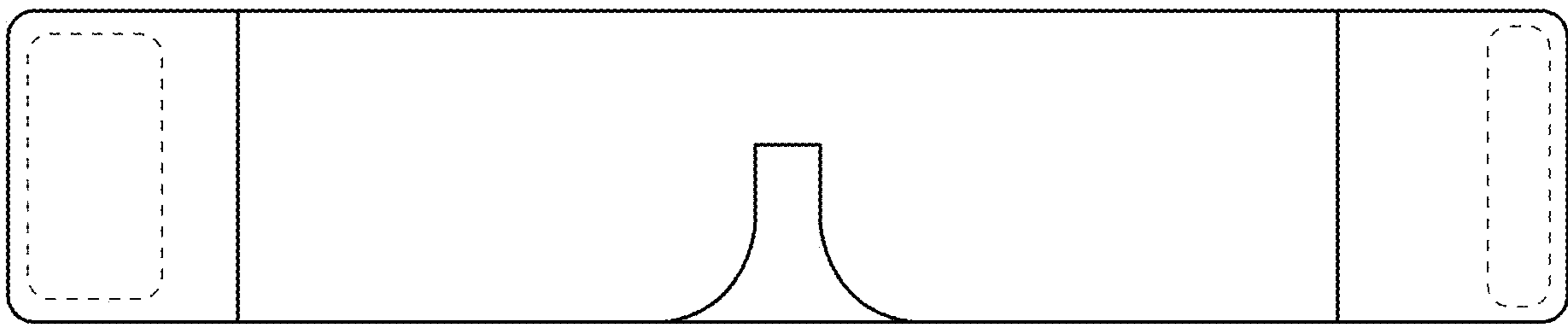


FIG. 2

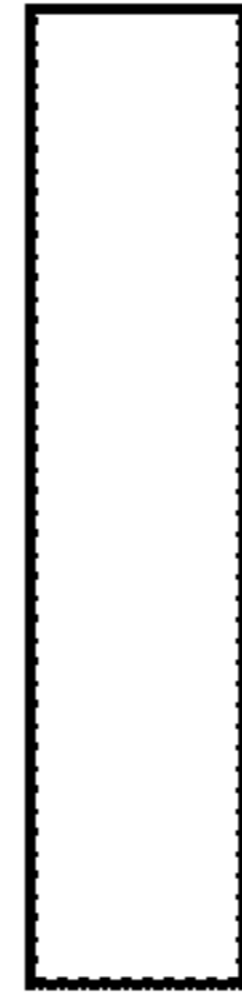


FIG. 3

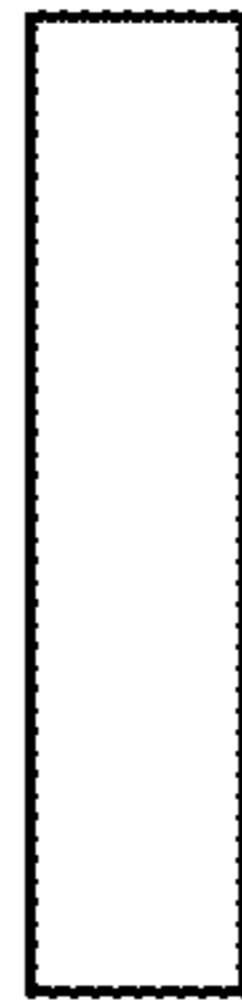


FIG. 4

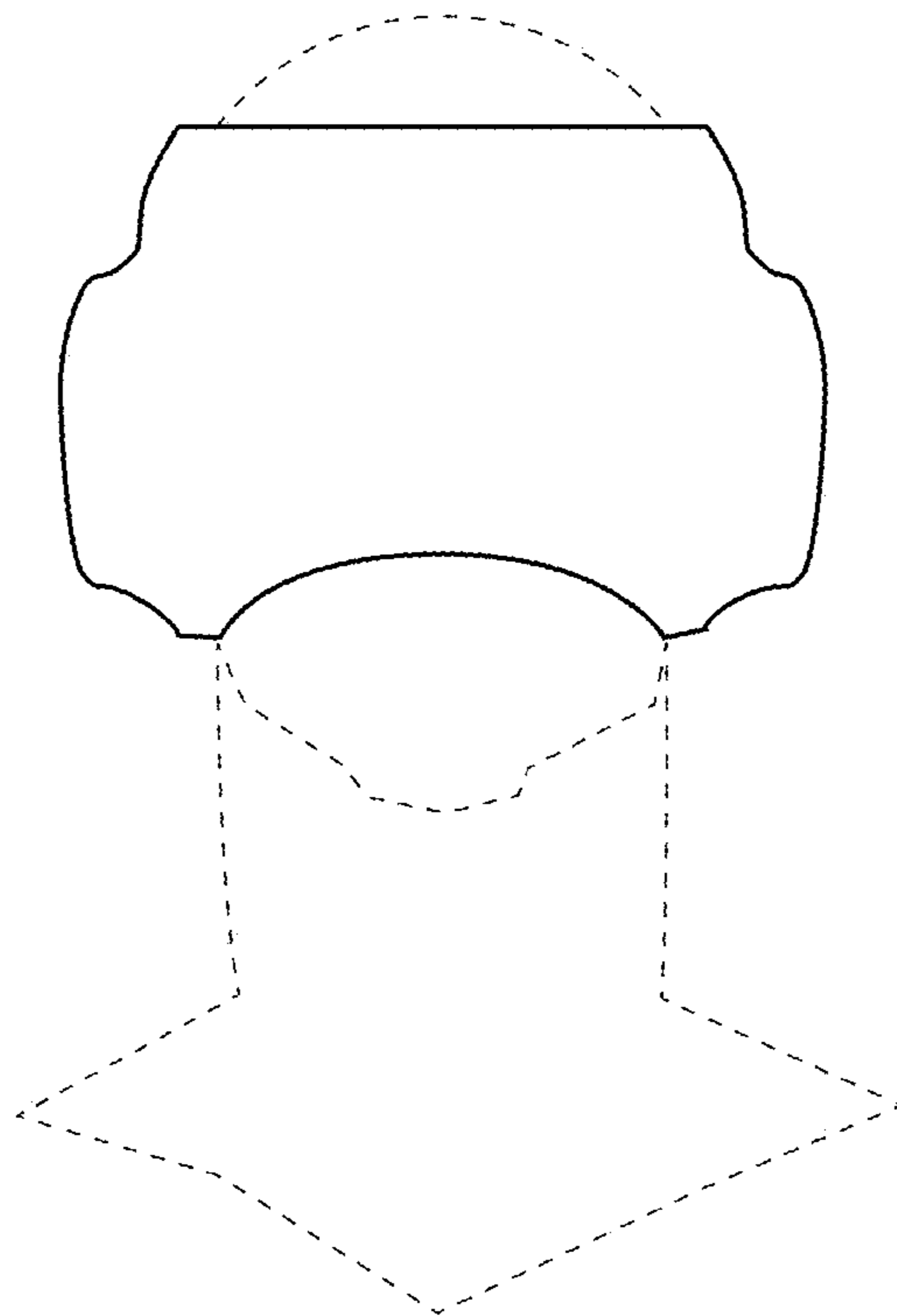


FIG. 5

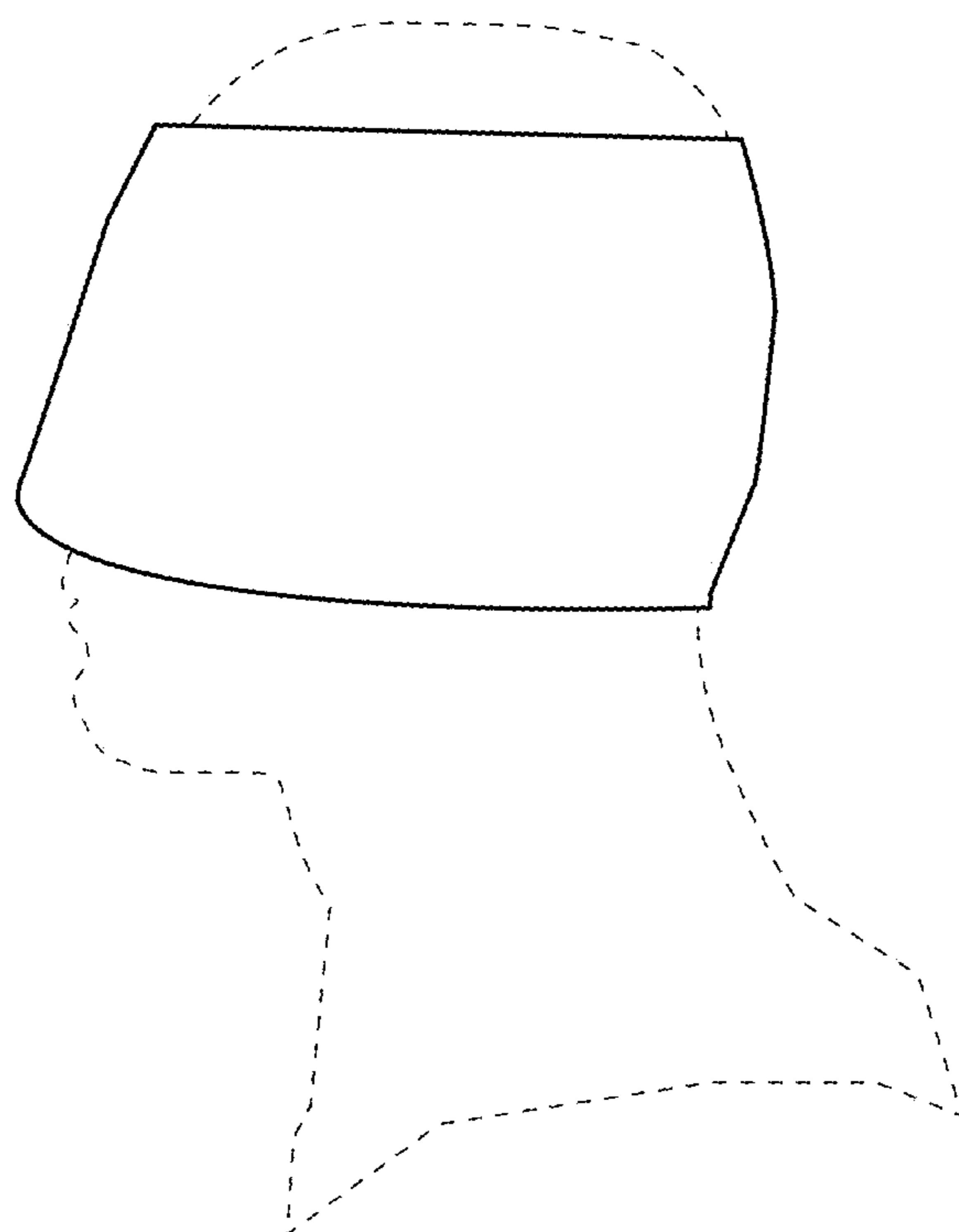


FIG. 6

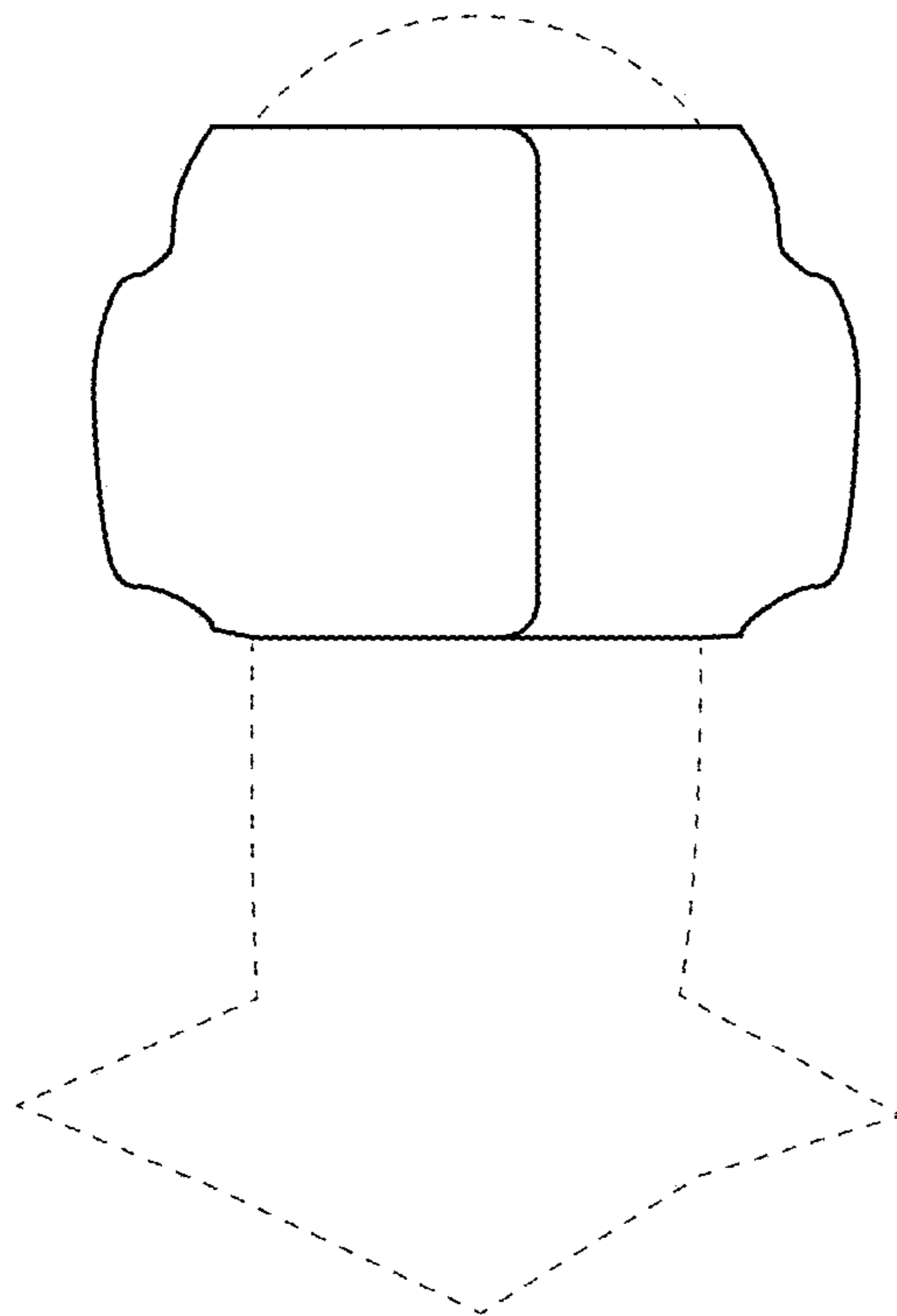


FIG. 7