



US00D920637S

(12) **United States Design Patent**
Sanchez

(10) **Patent No.:** **US D920,637 S**

(45) **Date of Patent:** **** Jun. 1, 2021**

(54) **OPEN TOP HAT**

(71) Applicant: **Gabriel Ignacio Sanchez**, San Bruno, CA (US)

(72) Inventor: **Gabriel Ignacio Sanchez**, San Bruno, CA (US)

(73) Assignee: **Drop Top Company**, San Francisco, CA (US)

(**) Term: **15 Years**

(21) Appl. No.: **29/721,406**

(22) Filed: **Jan. 21, 2020**

(51) **LOC (13) Cl.** **02-03**

(52) **U.S. Cl.**
USPC **D2/876**

(58) **Field of Classification Search**
USPC D2/865, 866, 873, 875, 876, 878, 882, D2/883, 885, 886, 887, 888, 891
CPC .. A42B 1/00; A42B 1/004; A42B 1/04; A42B 1/043; A42B 1/065; A42B 1/201
See application file for complete search history.

(56) **References Cited**

U.S. PATENT DOCUMENTS

| | | | | |
|---------------|--------|----------|-------|-----------------------|
| D38,031 S * | 5/1906 | Mundheim | | D2/888 |
| 2,393,286 A * | 1/1946 | Brunner | | A42B 1/24 2/209.13 |
| D225,793 S * | 1/1973 | Aquila | | D2/888 |
| D440,380 S * | 4/2001 | Orr | | D2/866 |
| D477,128 S * | 7/2003 | Lee | | D2/873 |
| D487,953 S * | 4/2004 | Trudeau | | D2/886 |

| | | | | |
|-------------------|---------|-------------|-------|---------------------|
| D524,517 S * | 7/2006 | Javits, Jr. | | D2/875 |
| D617,539 S * | 6/2010 | Boles | | D2/893 |
| D720,502 S * | 12/2014 | Schrock | | D29/122 |
| 9,149,085 B2 * | 10/2015 | Bryan | | A42B 3/227 |
| D828,681 S * | 9/2018 | Berman | | D2/885 |
| 10,645,986 B1 * | 5/2020 | Guzman | | A42B 1/02 |
| 2007/0174949 A1 * | 8/2007 | Howells | | A42B 1/008 2/171 |

* cited by examiner

Primary Examiner — Jasmine Mlinarcik

(74) *Attorney, Agent, or Firm* — Lloyd & Mousilli; Feras Mousilli

(57) **CLAIM**

The ornamental design for an open top hat, as shown and described.

DESCRIPTION

FIG. 1 is an elevated and angled view of the top of the hat design showing the new design.

FIG. 2 is an elevated and angled view of the bottom of the hat design.

FIG. 3 is a right side view of the open top hat.

FIG. 4 is a left side view of the open top hat.

FIG. 5 is a front view of the hat design.

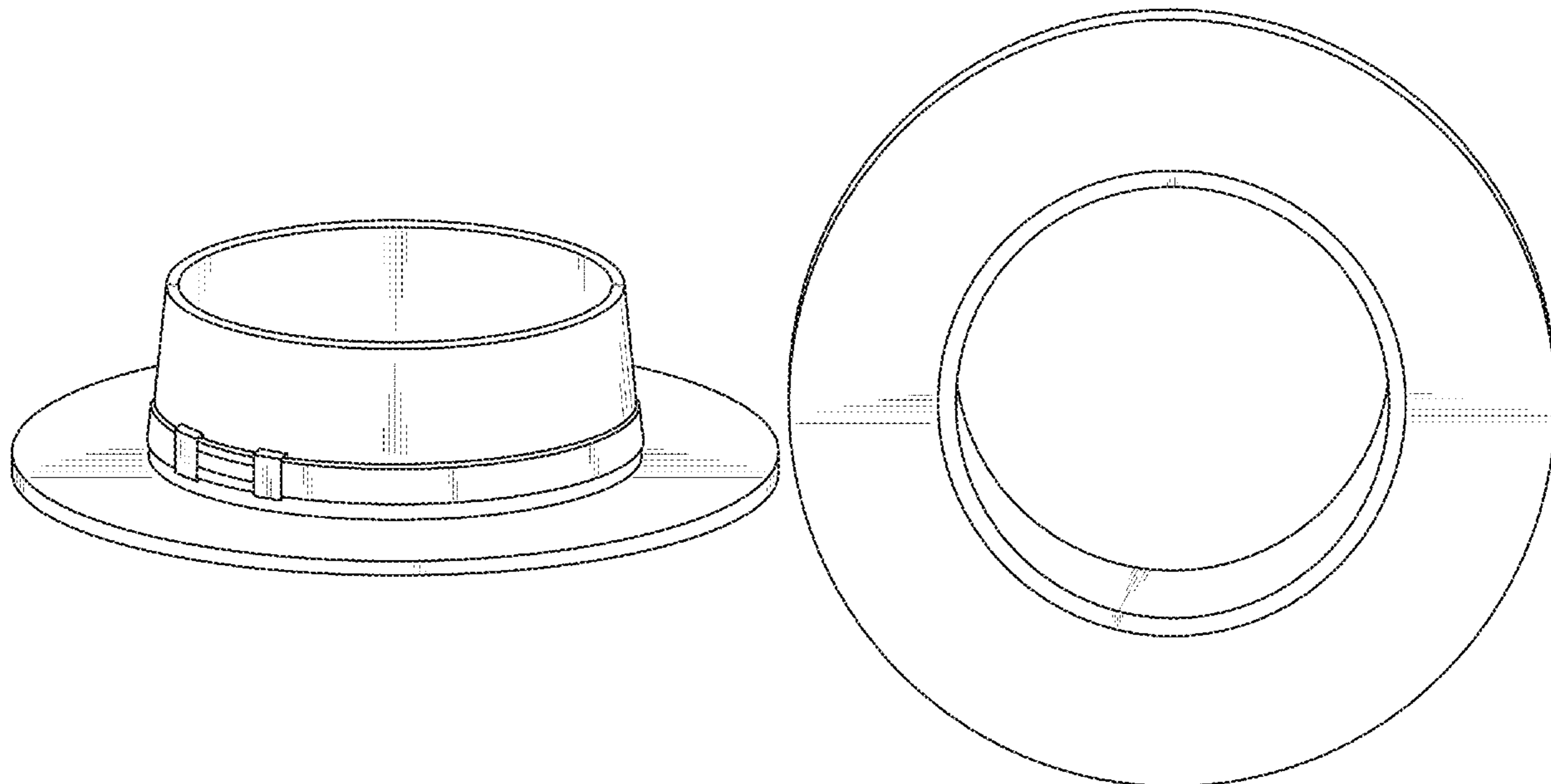
FIG. 6 is a back view of the hat design.

FIG. 7 is a top perspective view of the open top hat; and,

FIG. 8 is a bottom perspective view of the open top hat.

Any shading and cross-hatching are not features of the design but are utilized to illustrate the surface contours and open top of the hat design in the drawings.

1 Claim, 8 Drawing Sheets



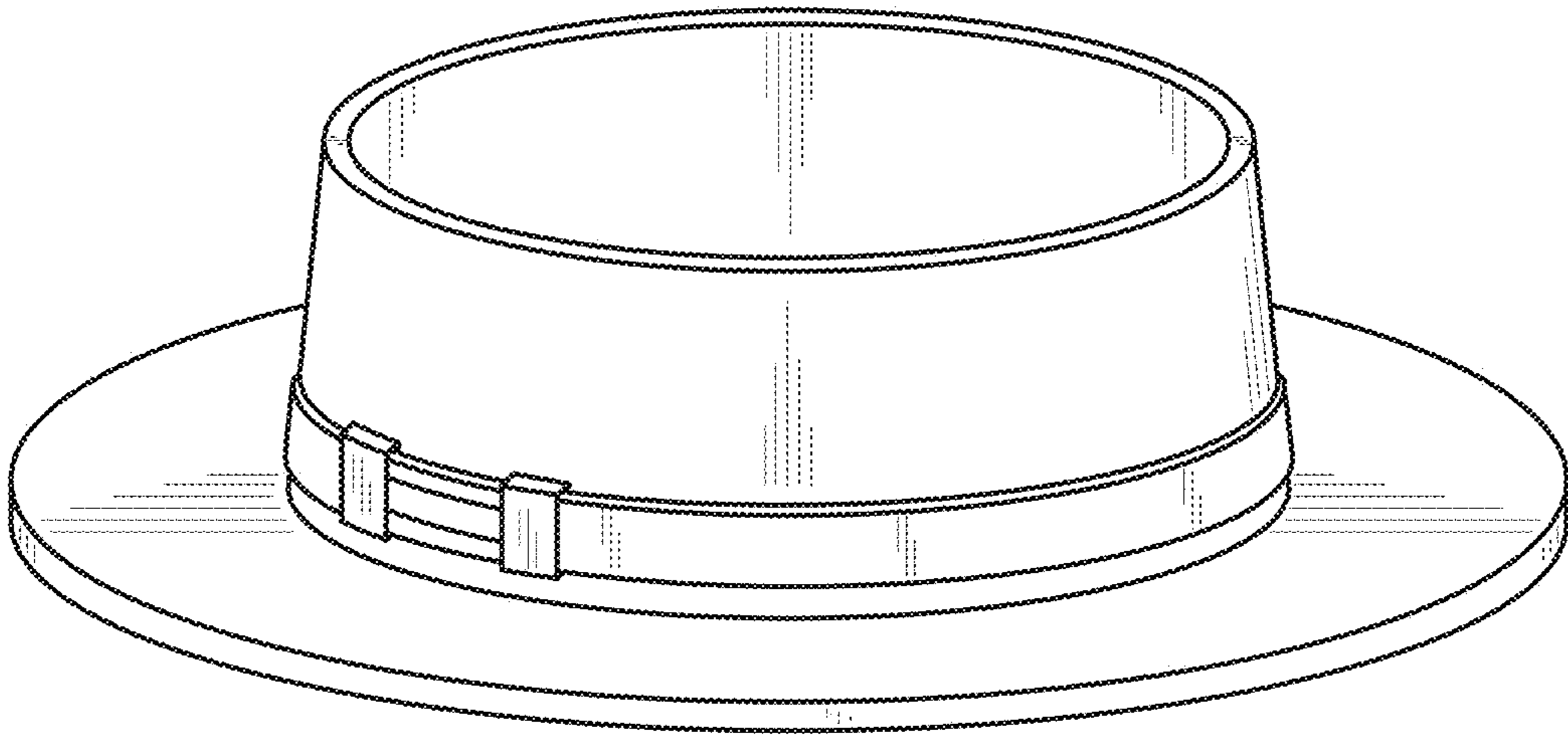


FIG. 1

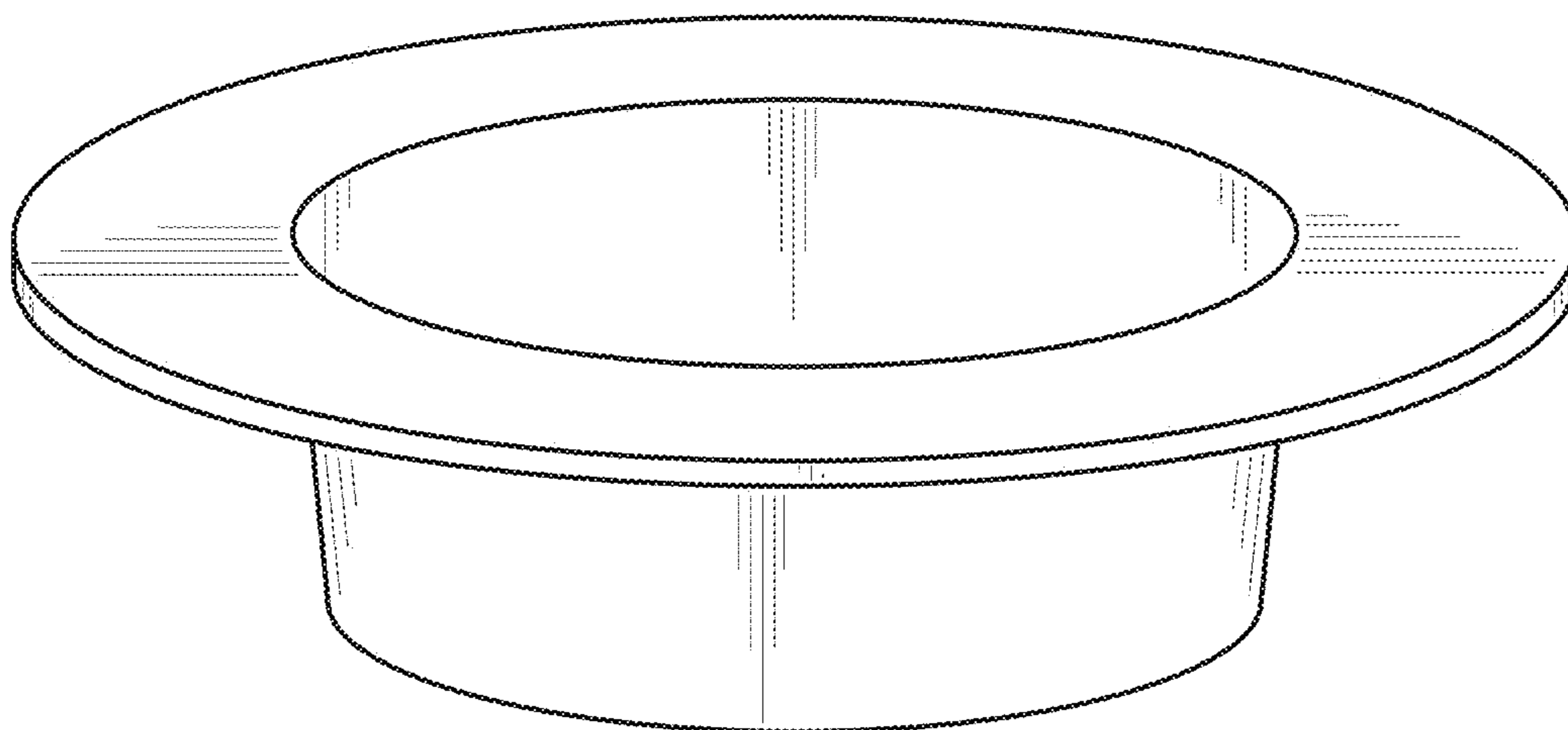


FIG. 2

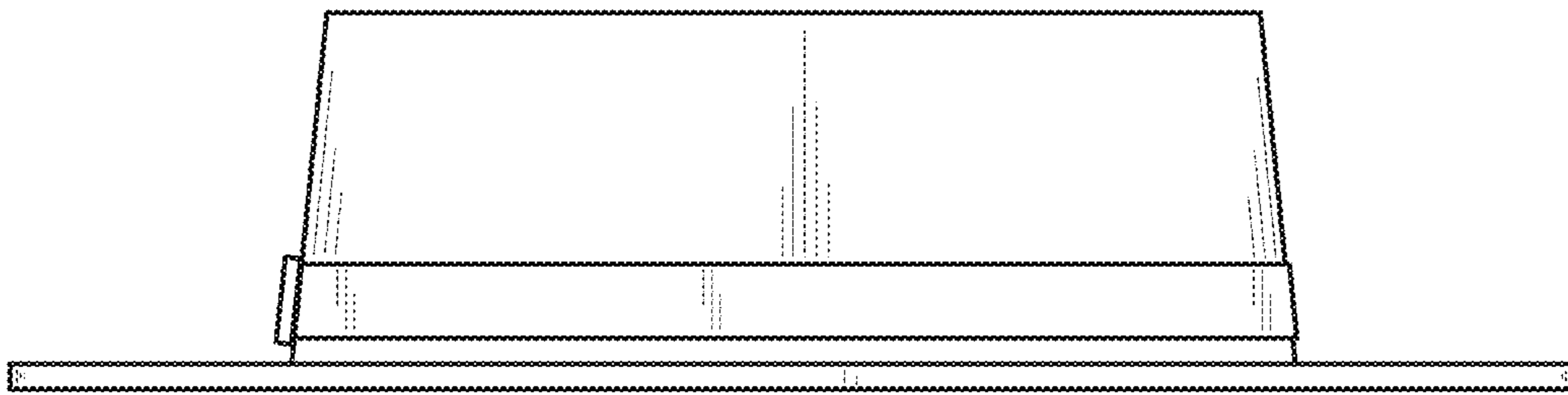


FIG. 3

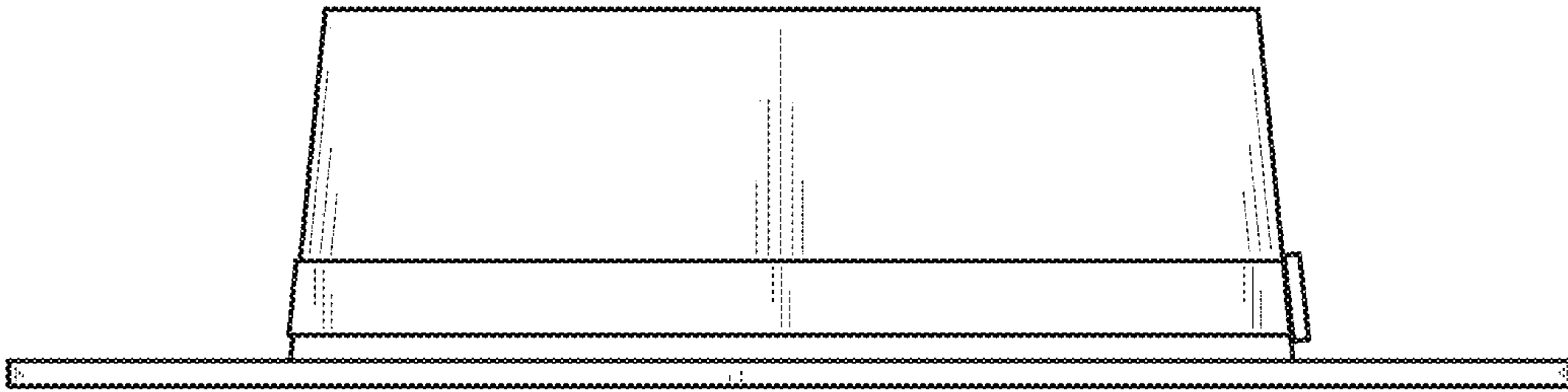


FIG. 4

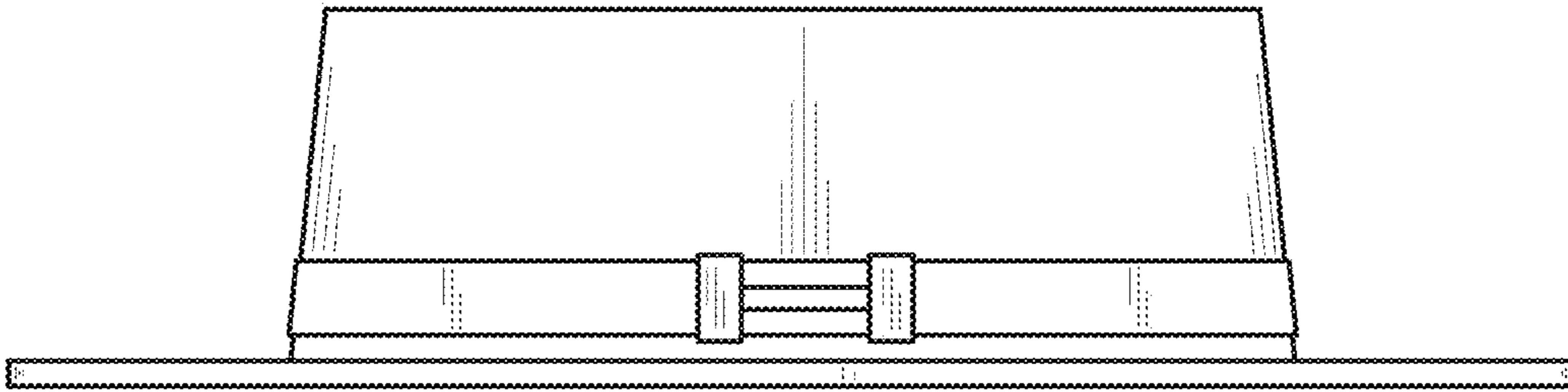


FIG. 5

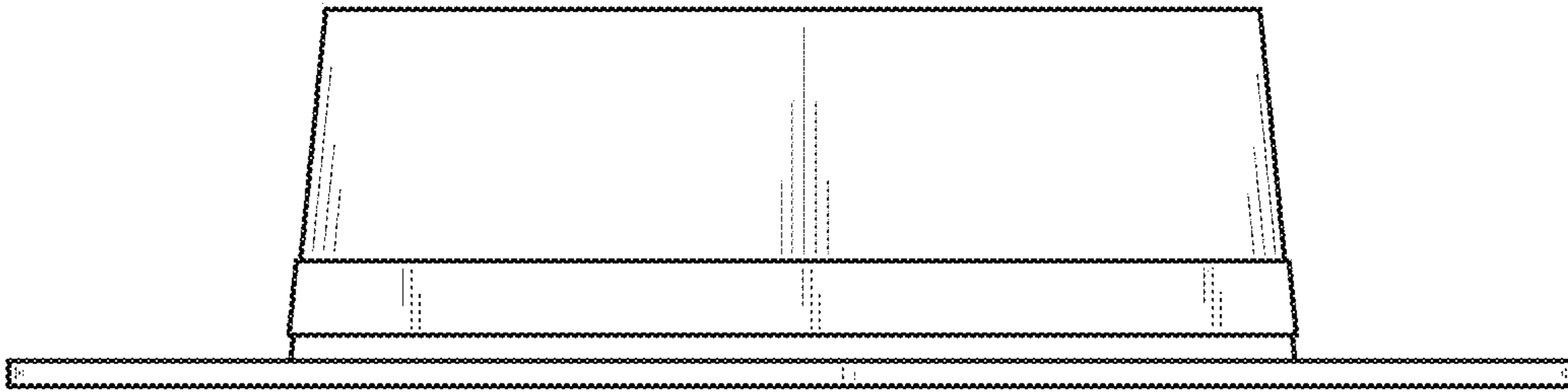


FIG. 6

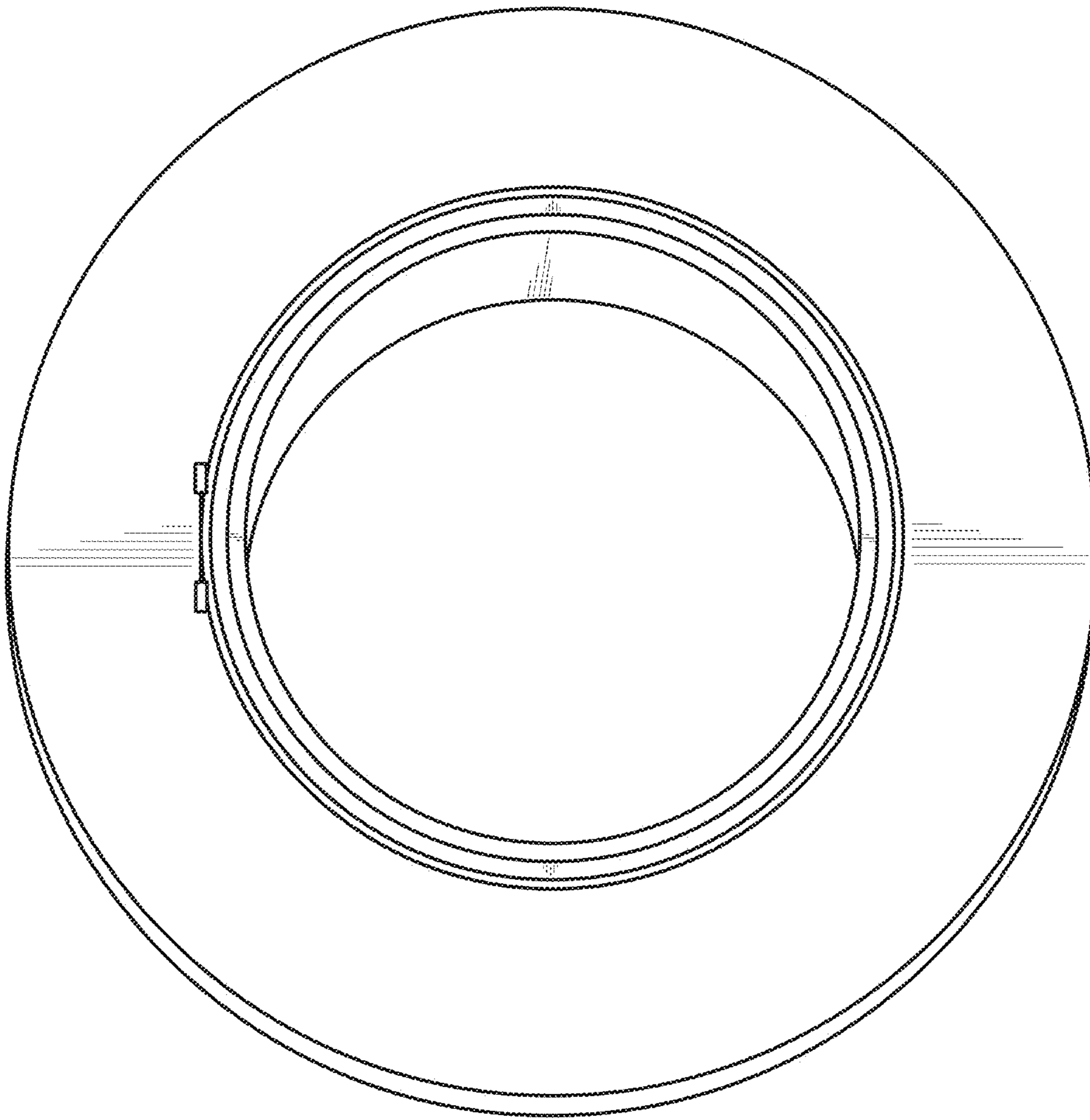


FIG. 7

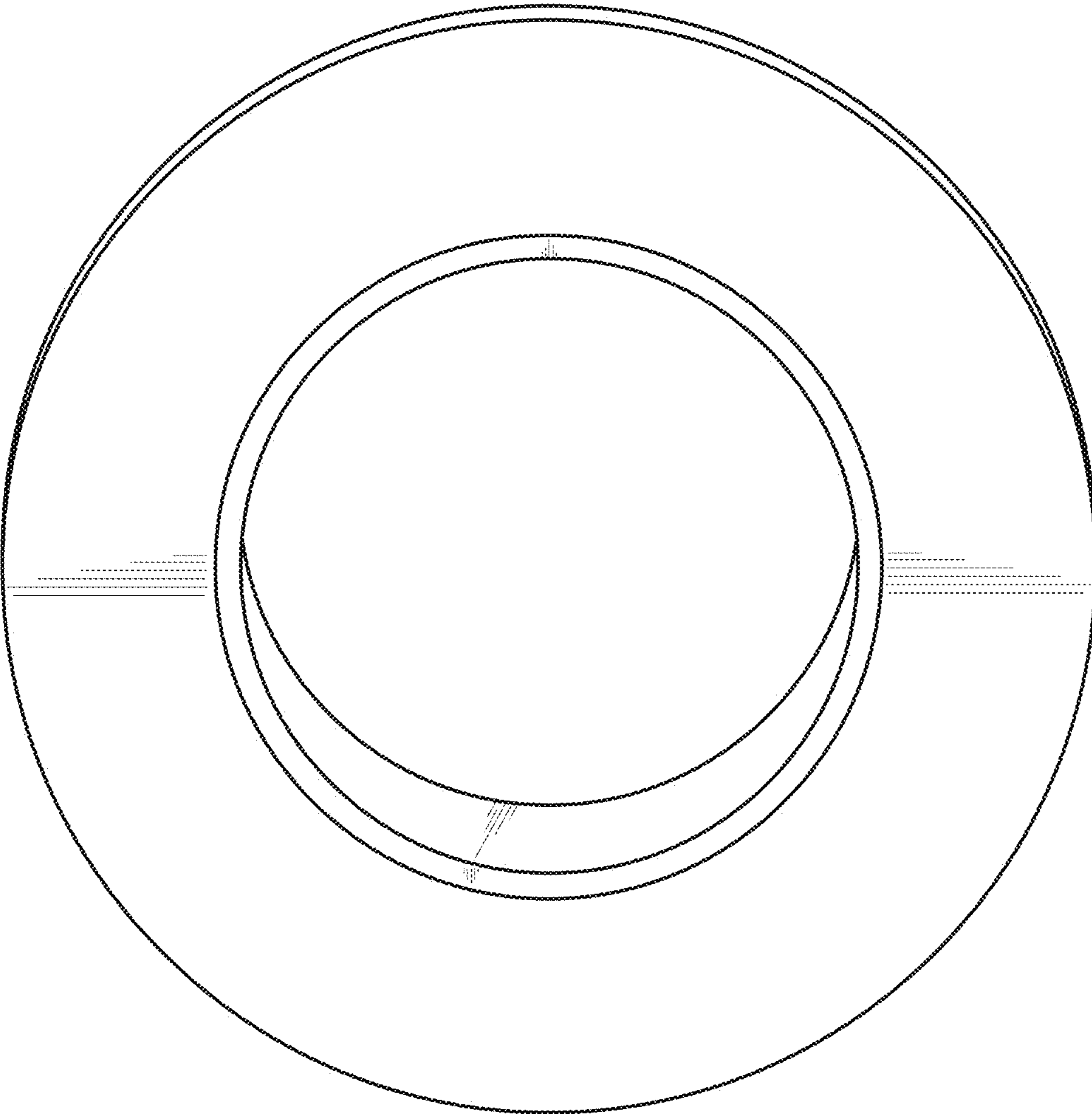


FIG. 8