



US00D920635S

(12) **United States Design Patent** (10) **Patent No.:** **US D920,635 S**
Douramakos (45) **Date of Patent:** **** Jun. 1, 2021**

(54) **HEADWEAR WITH CAMERA**
(71) Applicant: **Web Objective Capital**, Toronto (CA)
(72) Inventor: **Tom Douramakos**, Toronto (CA)
(73) Assignee: **Web Objective Capital**, Toronto (CA)

(**) Term: **15 Years**

(21) Appl. No.: **29/645,908**

(22) Filed: **Apr. 30, 2018**

(51) **LOC (13) Cl.** **02-03**

(52) **U.S. Cl.**
USPC **D2/866; D2/882**

(58) **Field of Classification Search**
USPC D2/865, 866, 869, 870, 871, 872, 873,
D2/874, 875, 876, 877, 878, 879, 880,
D2/881, 882, 883, 884, 885, 886, 887,
D2/888, 889, 890, 891, 892, 893, 894,
D2/895; D14/129, 299, 372; D16/311,
D16/312

CPC .. A42B 1/00; A42B 1/004; A42B 1/02; A42B
1/06; A42B 1/062; A42B 1/206; A42B
1/24; A42B 1/242; A42B 1/245; A42B
1/247; A42B 1/248; A42B 3/00; A42B
3/042; A42B 3/30; A42B 3/306; A42C
5/00; G02B 27/017; G02B 27/0172;
G02B 27/0176; G02B 2027/0178
See application file for complete search history.

(56) **References Cited**

U.S. PATENT DOCUMENTS

1,586,701 A * 6/1926 Reppa A42B 1/10
2/414
2,169,067 A * 8/1939 Dorsey A42B 1/10
362/107
2,739,311 A * 3/1956 Bullard A42B 1/10
2/422
2,790,196 A 4/1957 Rideout et al.

3,032,647 A * 5/1962 Wansky A42B 1/244
362/191

D204,752 S 5/1966 Tveten
D221,634 S 8/1971 Bradspies et al.
(Continued)

OTHER PUBLICATIONS

IMT Vislink Video Technology Vicareo [online]; [article posted to the Internet on Dec. 12, 2018]; [Retrieved from the Internet on Aug. 14, 2019]; URL: <https://imt-solutions.com/about/news-events/int-vislink-video-technology-powers-vicareo-refcam-at-nationally-televised-ncaa-college-football-games/>. (2pgs). (Year: 2018).*

(Continued)

Primary Examiner — Jasmine Mlinarcik
(74) *Attorney, Agent, or Firm* — Patterson Thuente Pedersen, P.A.

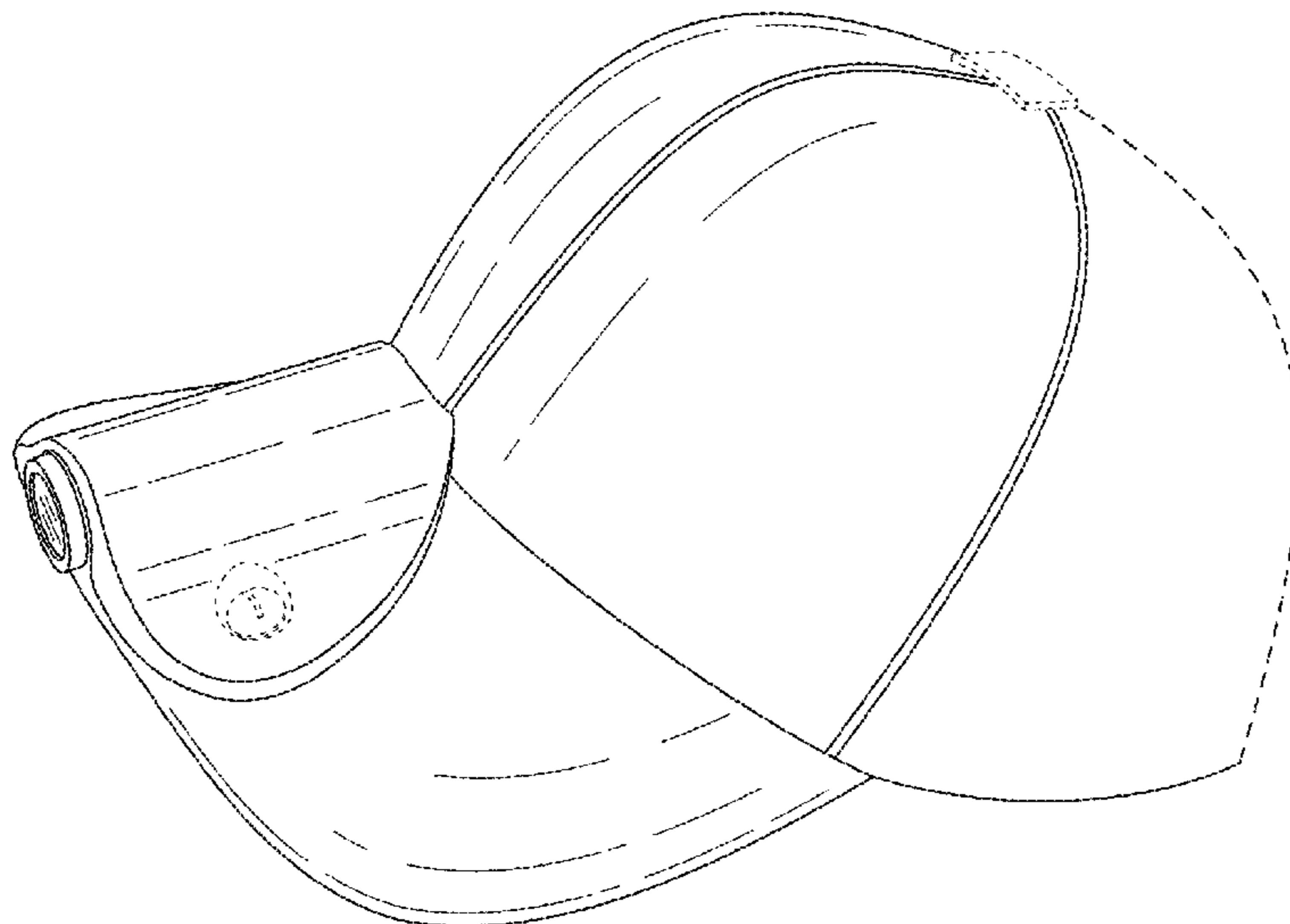
(57) **CLAIM**

I claim the ornamental design for a headwear with camera, as shown and described.

DESCRIPTION

FIG. 1 is a top perspective view of a headwear with camera according to the new design.
FIG. 2 is a front elevational view of the headwear with camera depicted in FIG. 1.
FIG. 3 is a rear elevational view of the headwear with camera depicted in FIG. 1.
FIG. 4 is a right side elevational view of the headwear with camera depicted in FIG. 1.
FIG. 5 is a left side elevational view of the headwear with camera depicted in FIG. 1.
FIG. 6 is a top plan view of the headwear with camera depicted in FIG. 1; and,
FIG. 7 is a bottom plan view of the headwear with camera depicted in FIG. 1.
The broken lines and unshaded areas adjacent to the broken lines depict portions of the headwear with camera that form no part of the claimed design.

1 Claim, 5 Drawing Sheets



(56)

References Cited

U.S. PATENT DOCUMENTS

3,802,717 A 4/1974 Eitrem
 3,831,959 A 8/1974 Fontana
 3,923,318 A 12/1975 Renard et al.
 D251,833 S 5/1979 Maza et al.
 4,156,942 A * 6/1979 Isfeld A42B 1/10
 2/422
 4,406,040 A * 9/1983 Cannone A42B 1/244
 2/195.1
 4,792,147 A 12/1988 Wissing
 D349,995 S 8/1994 Cassel et al.
 5,541,816 A * 7/1996 Miserendino A42B 1/244
 362/106
 D376,469 S * 12/1996 Harkness D2/891
 5,823,549 A 10/1998 Morgan, Jr.
 D426,177 S 6/2000 Lundh
 D428,367 S 7/2000 Lundh
 D442,355 S * 5/2001 Rose D2/866
 6,257,984 B1 * 7/2001 Gershon A63F 13/02
 463/48
 D452,768 S * 1/2002 Park D2/882
 D475,179 S * 6/2003 Chan D2/893
 6,598,991 B2 * 7/2003 Altman A44B 15/005
 362/105
 D489,165 S * 5/2004 Waters D2/866
 D496,145 S * 9/2004 Lacey D2/866
 6,964,423 B1 11/2005 Chieh et al.
 D530,486 S * 10/2006 Ruttan D2/866
 7,127,907 B2 * 10/2006 Tu A42B 1/008
 62/259.3
 D532,575 S 11/2006 Oberg
 D549,920 S 8/2007 Dukes

7,340,781 B2 * 3/2008 Clark A42B 1/247
 2/209.13
 D573,774 S 7/2008 Archer
 D612,132 S * 3/2010 Seade D2/866
 D627,140 S * 11/2010 Dyer D2/866
 8,002,437 B2 * 8/2011 Sohn A42B 1/244
 362/249.01
 D661,470 S * 6/2012 Baron D2/866
 D726,986 S 4/2015 Hall
 9,702,534 B1 * 7/2017 Brion F21V 21/084
 D801,644 S * 11/2017 Zenoff D2/882
 2005/0249492 A1 11/2005 Metcalf
 2008/0192117 A1 8/2008 Shanks et al.
 2010/0287684 A1 * 11/2010 Peterson A42B 1/245
 2/209.13
 2012/0236543 A1 * 9/2012 Torgerson F16B 9/023
 362/106
 2013/0128046 A1 5/2013 Gindin
 2014/0362244 A1 12/2014 Martin
 2015/0271367 A1 9/2015 Musec et al.
 2016/0355126 A1 12/2016 Anderson et al.
 2017/0127746 A1 5/2017 Pietrzak et al.
 2017/0322481 A1 11/2017 Koch
 2017/0347735 A1 12/2017 Zhang

OTHER PUBLICATIONS

US Trademark Application #86960845 (now Registered Trademark #5193187) for "Refcam" filed on Apr. 1, 2016 by Web Objective Capital. First Use in Commerce Date: Feb. 22, 2017. Retrieved on Aug. 14, 2019. (4 pgs.). (Year: 2016).*

* cited by examiner

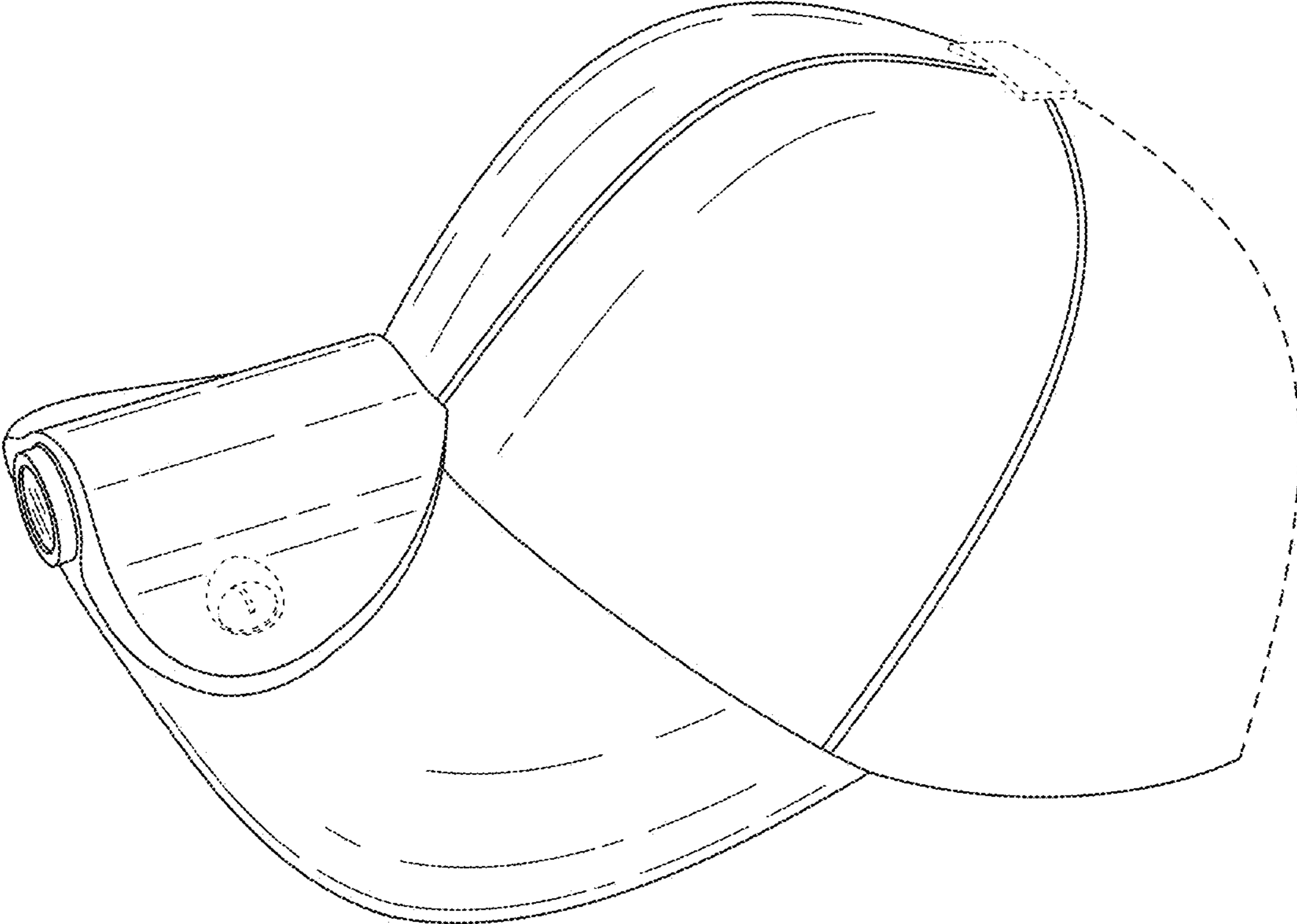


FIG. 1

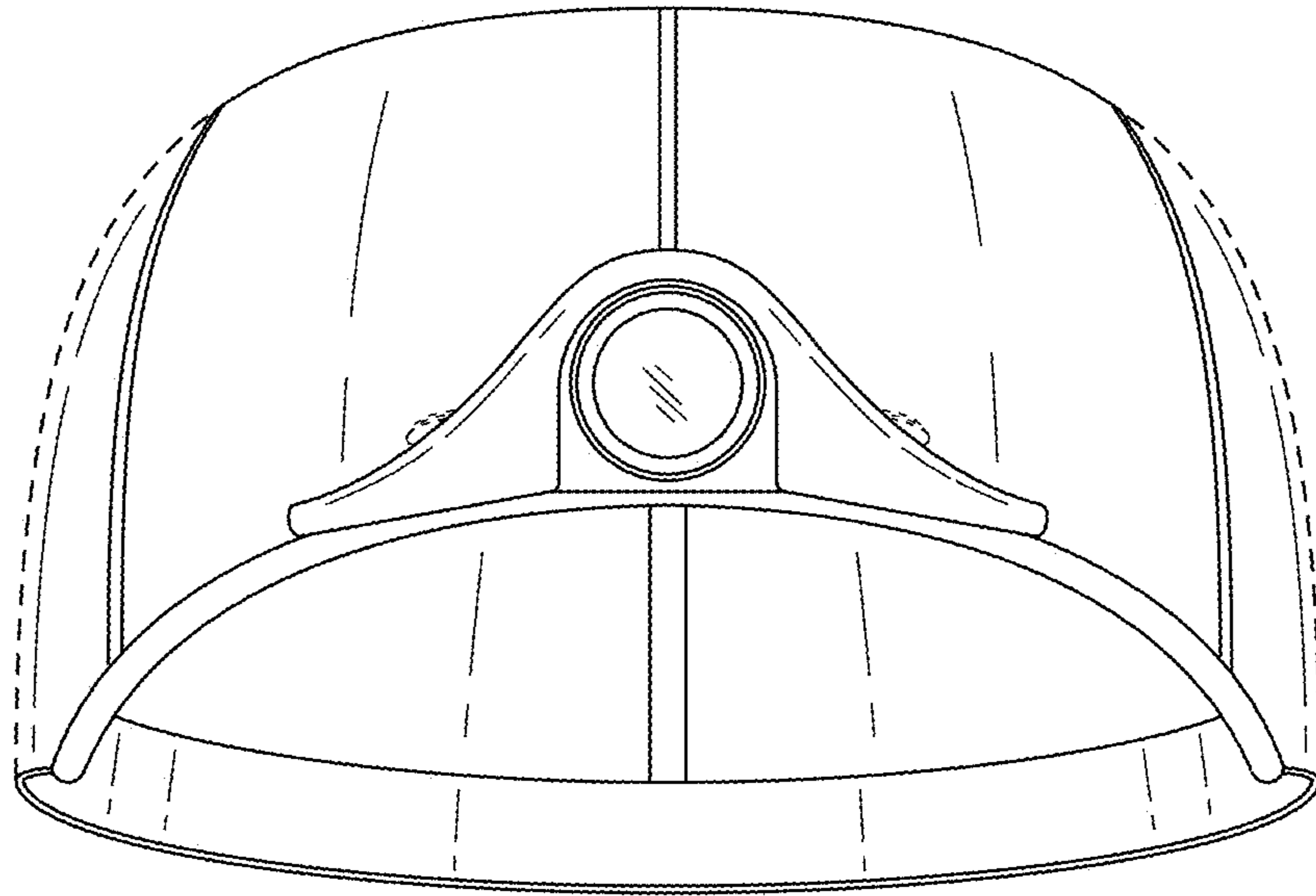


FIG. 2

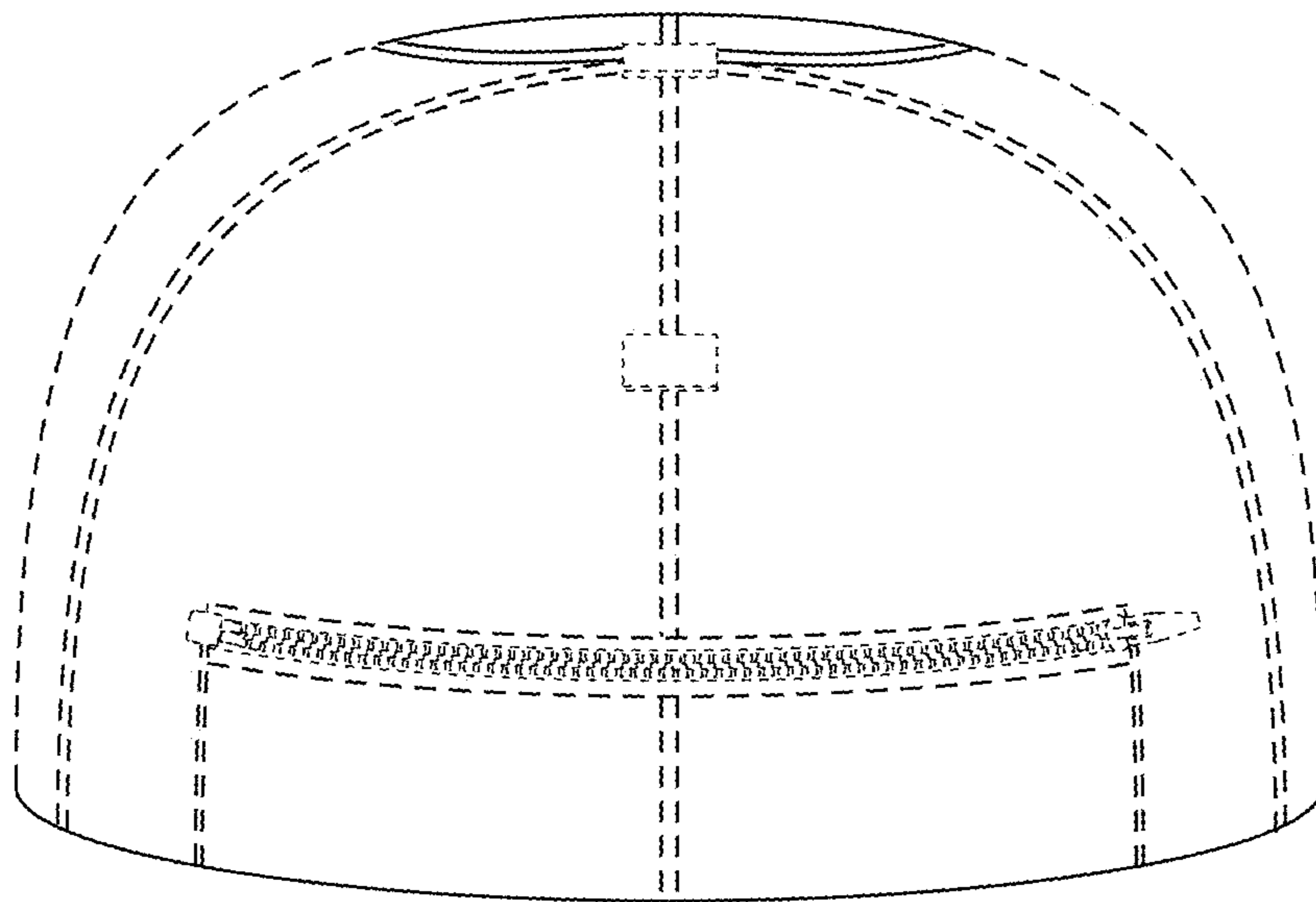


FIG. 3

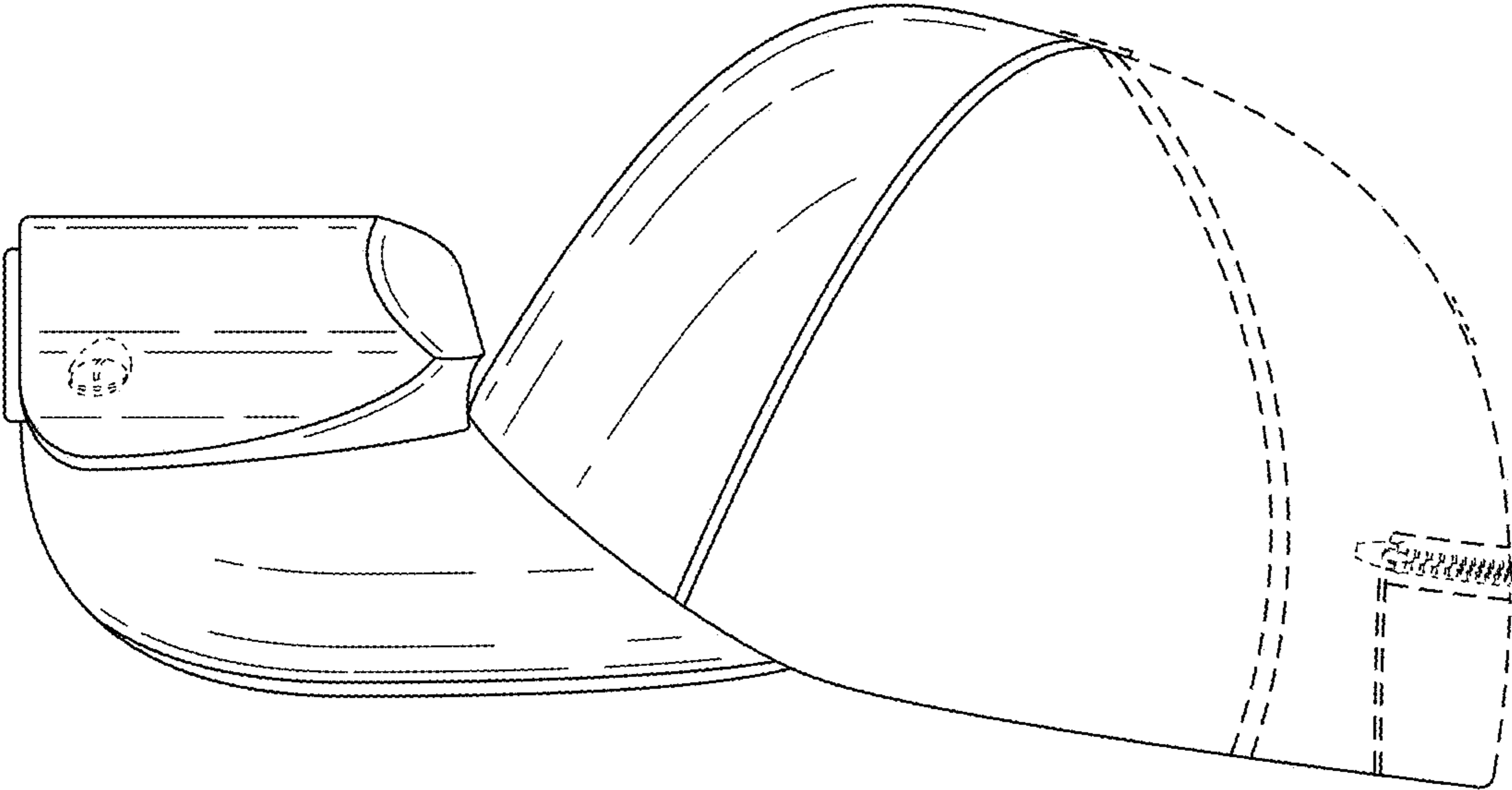


FIG. 4

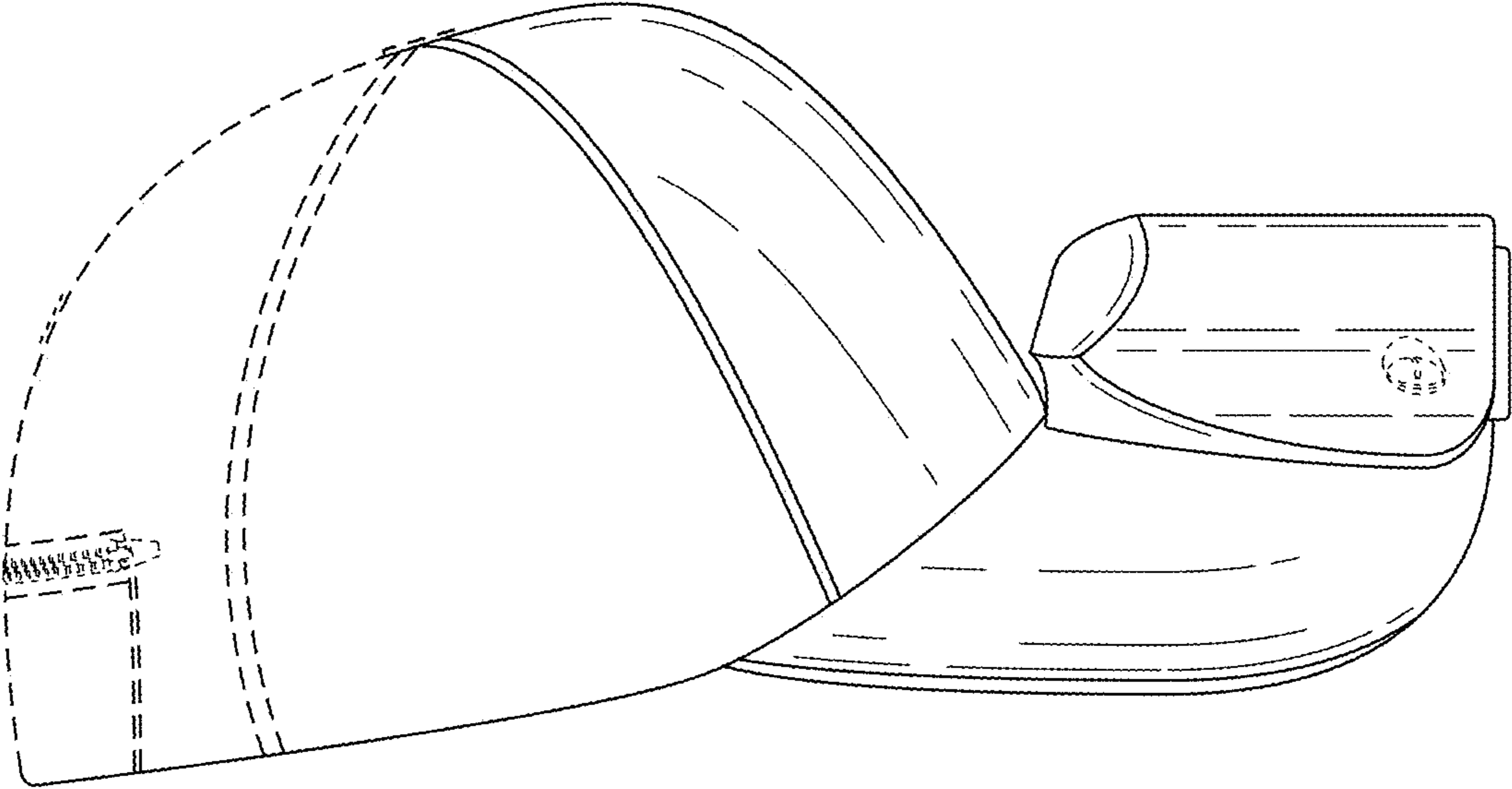


FIG. 5

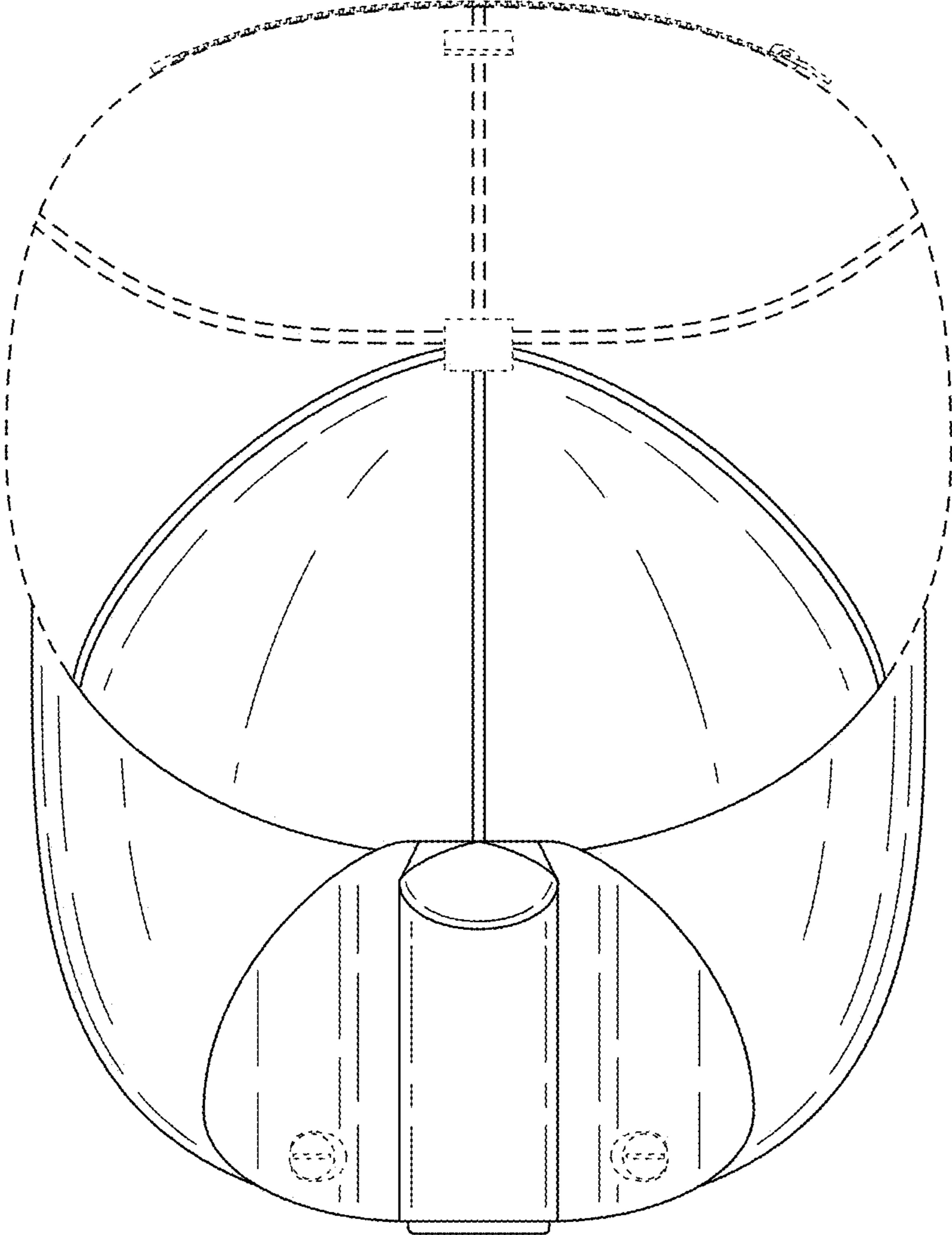


FIG. 6

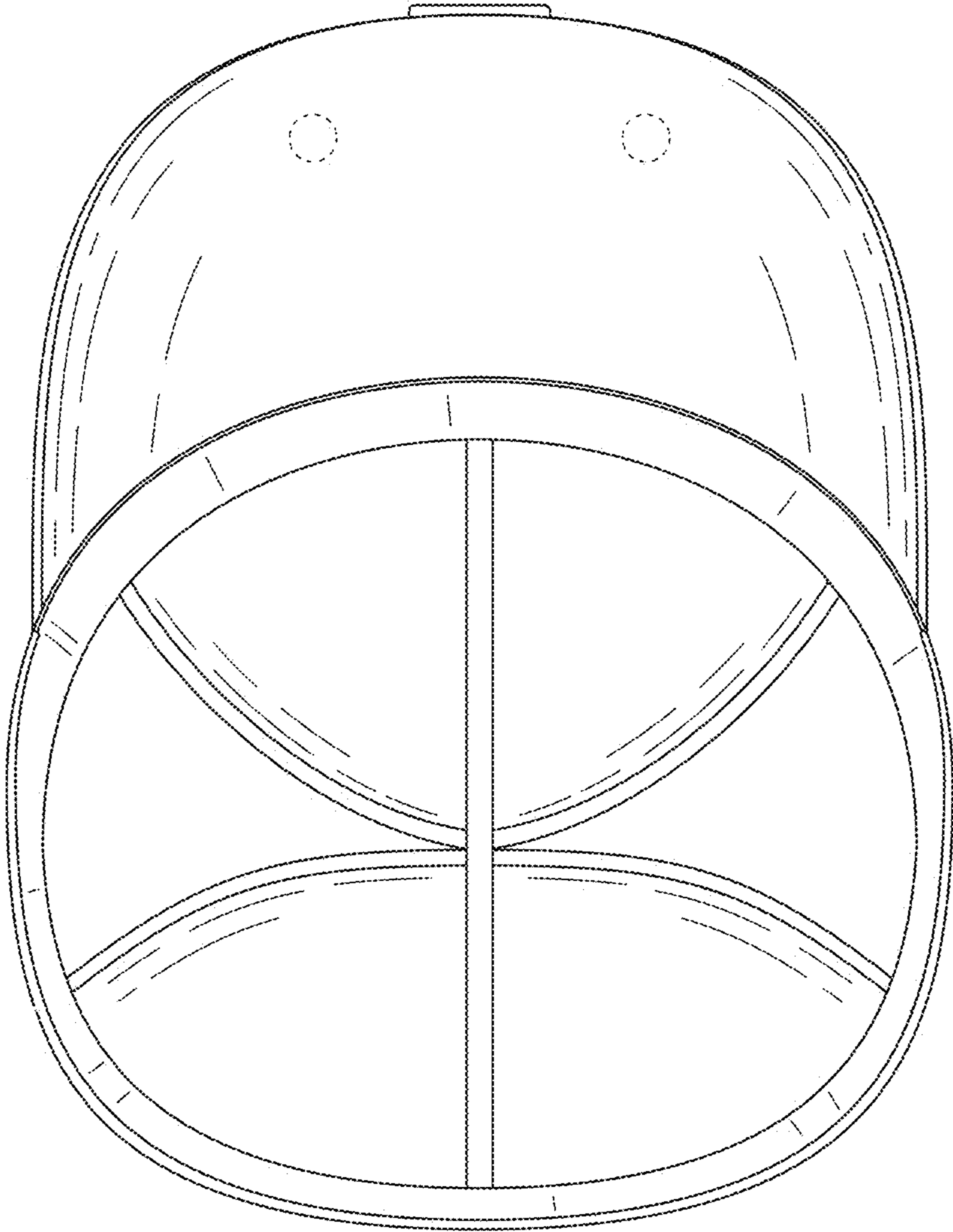


FIG. 7