



(12) **United States Design Patent** (10) **Patent No.:** **US D920,624 S**
Loeppert et al. (45) **Date of Patent:** **** May 25, 2021**

(54) **STORAGE CONTAINER**

(71) Applicant: **SOJI Incorporated**, Denver, CO (US)
 (72) Inventors: **Jonell Wittern Loeppert**, Denver, CO (US); **Carey Scott Loeppert**, Denver, CO (US); **Nicholas Burrows**, Brooklyn, NY (US); **Eliot Reshetar-Jost**, Brooklyn, NY (US); **Felix de Voss**, Brooklyn, NY (US); **Carl Johan Liden**, Brooklyn, NY (US); **Daniel Snyder**, Brooklyn, NY (US)

(73) Assignee: **SOJI Incorporated**, Denver, CO (US)

(**) Term: **15 Years**

(21) Appl. No.: **29/672,586**

(22) Filed: **Dec. 6, 2018**

(51) **LOC (13) Cl.** **99-00**

(52) **U.S. Cl.**
 USPC **D99/28**

(58) **Field of Classification Search**
 USPC D99/28, 34, 35, 36, 43, 99; D3/900, 901, D3/902, 903, 905, 272, 273; D18/3.1, D18/3.3, 12.1

(Continued)

(56) **References Cited**

U.S. PATENT DOCUMENTS

D273,908 S * 5/1984 Hoogeveen D99/28
 4,788,838 A 12/1988 Cislo

(Continued)

FOREIGN PATENT DOCUMENTS

WO WO 2013/043138 A1 3/2013
 WO WO 2015/024029 A2 2/2015
 WO WO 2018/042264 3/2018

OTHER PUBLICATIONS

Liberty Safe HD-50 Key Vault Portable Safe Box, https://www.basspro.com/shop/en/liberty-safe-hd-50-key-vault-portable-safe-box-100156128?affcode_c=&msclkid=a6658bd6d92612c61da2d47f1bd2376e&gclid=a6658bd6d92612c61da2d47f1bd2376e&gclsrc=3p.ds, copyright 2006-2020 (Year: 2020).*

(Continued)

Primary Examiner — Elizabeth J Oswecki
 (74) *Attorney, Agent, or Firm* — Stanley J. Gradisar
 Attorney At Law, LLC; Stanley J. Gradisar

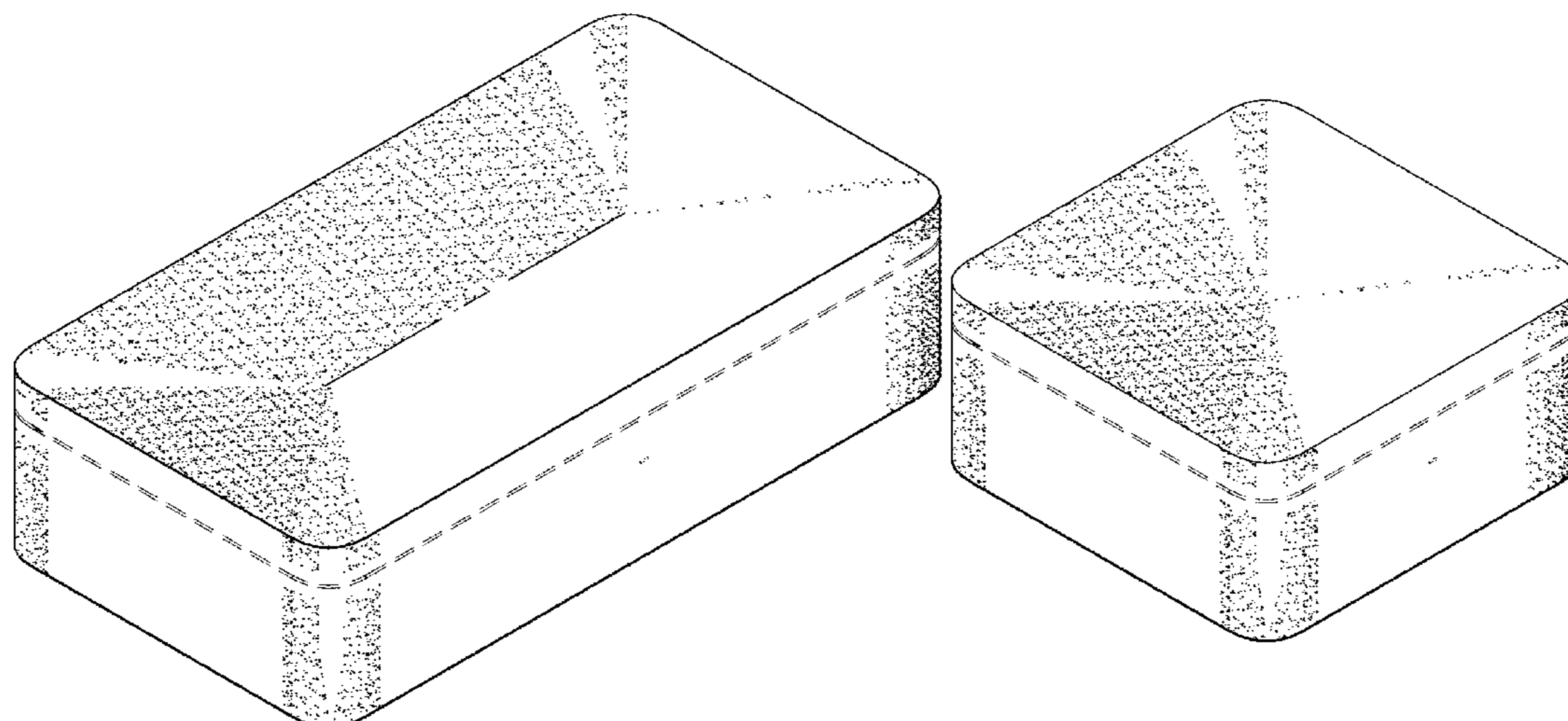
(57) **CLAIM**

The ornamental design for a storage container, as shown and described.

DESCRIPTION

FIG. 1 is a front elevation view of a first embodiment of a storage container showing our new design; FIG. 2 is a front elevation view of a second embodiment of a storage container showing our new design; FIG. 3 is a rear elevation view of FIG. 1; FIG. 4 is a rear elevation view of FIG. 2; FIG. 5 is a top plan view of FIG. 1; FIG. 6 is a top plan view of FIG. 2; FIG. 7 is a bottom plan view of FIG. 1; FIG. 8 is a bottom plan view of FIG. 2; FIG. 9 is a left side elevation view of FIG. 1, the right side elevation view being a mirror image, the left side elevation view and right side elevation view of FIG. 2 are identical to FIG. 9; FIG. 10 is a top perspective view of FIG. 1. FIG. 11 is a top perspective view of FIG. 2; and, FIG. 12 is an enlarged portion view taken from encircled portion labeled, "FIG. 12," in FIG. 1. The broken lines show environmental structure and form no part of the claimed design. The small oval shown in FIGS. 1, 2, 10, 11, and the enlarged view in FIG. 12 is in broken lines and forms no part of the claimed design. The long dash-short dash-long dash line shown in FIGS. 5 and 10 represent shading.

1 Claim, 8 Drawing Sheets



(58) **Field of Classification Search**

CPC A45C 1/12; A45C 2001/125; A45C
 2001/102; A45C 2001/104; A45C
 2001/006; A45C 2001/003; A45C
 2001/105; A45C 2001/107; E05G 1/00;
 E05G 1/005; E05G 1/024; E05G 1/026;
 E05G 5/00; E05G 7/00; E05G 7/001;
 E05G 2700/00; E05G 2700/02; B63C
 7/30; G07D 9/00; G07D 9/002; G07D
 9/004; G07D 9/006; G07D 9/008; G07D
 9/02; G07D 9/04; G07D 9/06; G07D
 9/065; G07D 11/00; G07D 11/0021;
 G07D 13/00; G07D 2201/00; G07F 9/06;
 G07F 9/08

See application file for complete search history.

(56) **References Cited**

U.S. PATENT DOCUMENTS

5,416,472 A 5/1995 Torii, Jr.
 D399,632 S * 10/1998 Davis D99/28
 6,260,300 B1 7/2001 Klebes et al.
 6,510,642 B2 1/2003 Riener
 D474,596 S * 5/2003 Osiecki D3/273
 6,752,092 B2 * 6/2004 Beattie E05G 1/005
 109/73
 6,806,807 B2 10/2004 Cayne et al.
 D541,045 S * 4/2007 Peart D3/291
 D542,529 S * 5/2007 Peart D3/276
 7,296,704 B2 11/2007 Ferrini
 D558,977 S * 1/2008 Peart D3/294
 D561,994 S * 2/2008 Peart D3/291
 D571,524 S * 6/2008 Kang D99/28
 D624,275 S * 9/2010 Min D99/28
 D635,324 S * 3/2011 Plato D99/28
 7,961,914 B1 6/2011 Smith
 7,979,964 B2 7/2011 Jans
 8,074,477 B1 * 12/2011 Weiche F41C 33/06
 70/14
 D667,195 S * 9/2012 Guo D99/28
 D677,855 S * 3/2013 Eick D99/35

8,847,760 B1 9/2014 Watkins, Jr.
 8,893,420 B2 11/2014 Milde, Jr. et al.
 8,952,780 B2 2/2015 Simpson
 D732,264 S * 6/2015 Hine D99/28
 D732,265 S * 6/2015 Osiecki D99/28
 9,224,015 B2 12/2015 Cabouli
 D749,846 S * 2/2016 Koeniger D3/294
 D772,522 S * 11/2016 Henderson D99/28
 9,574,390 B2 2/2017 Beckman
 D800,989 S * 10/2017 Lucido D99/28
 9,797,680 B2 10/2017 Hyde et al.
 D803,508 S * 11/2017 Horn D99/28
 D807,639 S * 1/2018 Peng D3/281
 9,907,380 B2 3/2018 Reh et al.
 D817,589 S * 5/2018 Culbreth D99/28
 10,030,418 B2 7/2018 McGinn et al.
 D866,913 S * 11/2019 Xu D99/28
 D893,123 S * 8/2020 Yu D99/28
 D895,225 S * 9/2020 Smith D99/28
 2003/0023855 A1 1/2003 Keogh et al.
 2003/0179073 A1 9/2003 Ghazarian
 2004/0045329 A1 * 3/2004 Farnham E05B 73/0005
 70/63
 2009/0226050 A1 9/2009 Hughes
 2010/0050709 A1 3/2010 Neville
 2011/0186397 A1 8/2011 Sheikh
 2012/0298018 A1 * 11/2012 McCabe A45C 13/20
 109/51
 2013/0025511 A1 1/2013 Maxwell
 2014/0151173 A1 6/2014 Reh et al.
 2015/0168099 A1 6/2015 Hyde et al.
 2016/0123702 A1 5/2016 Zeno et al.
 2016/0148452 A1 5/2016 Torquemada Jiménez

OTHER PUBLICATIONS

VT10i—Vaultek Safe, retrieved on Jul. 31, 2018 from <https://vaulteksafe.com/product/vaultek-safes/vaultek-vt10i>.
 HomeKit, First Alert unveils HomeKit—enabled safe, environment monitor, and thermostat coming this year, Jan. 6, 2016, retrieved on Jul. 31, 2018 from: <https://9to5mac.com/2016/01/06/first-alert-homekit/>.

* cited by examiner

FIG. 12

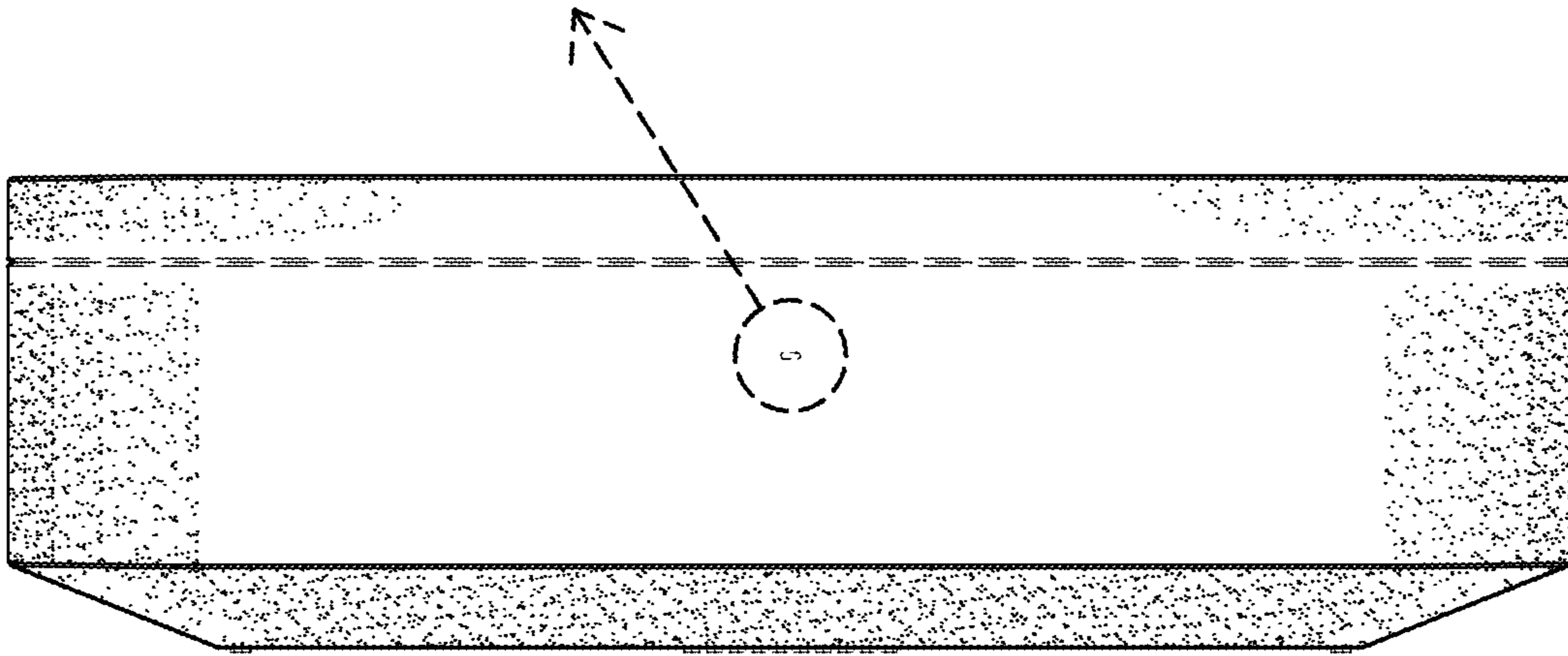


FIG. 1

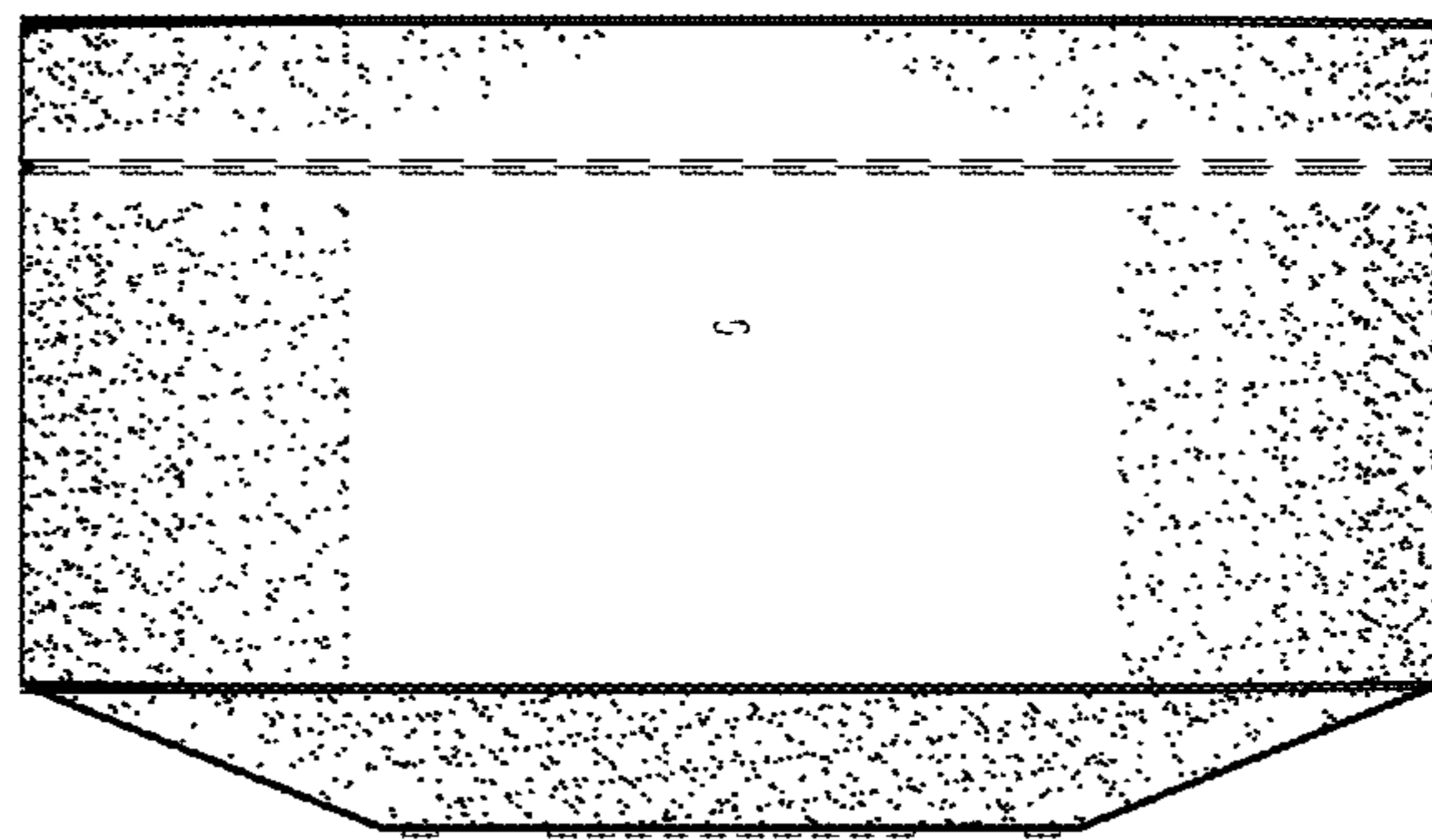


FIG. 2

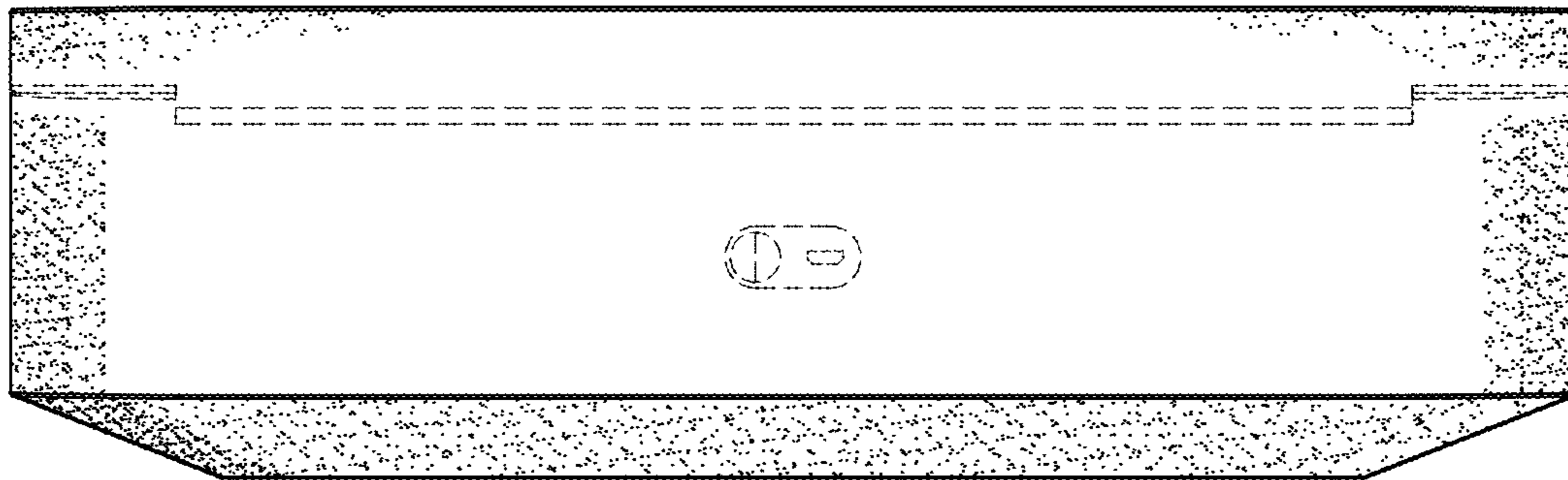


FIG. 3

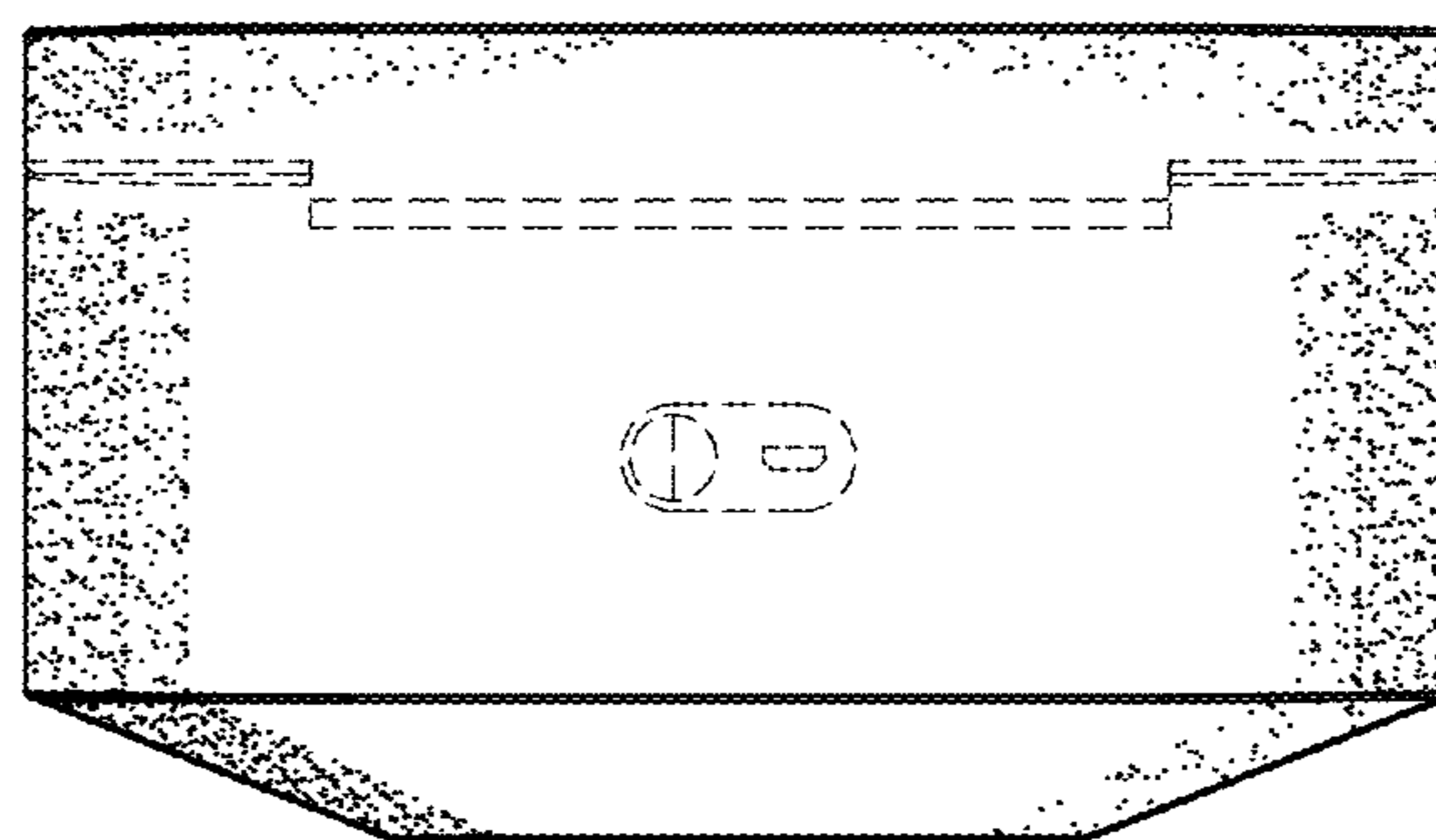


FIG. 4

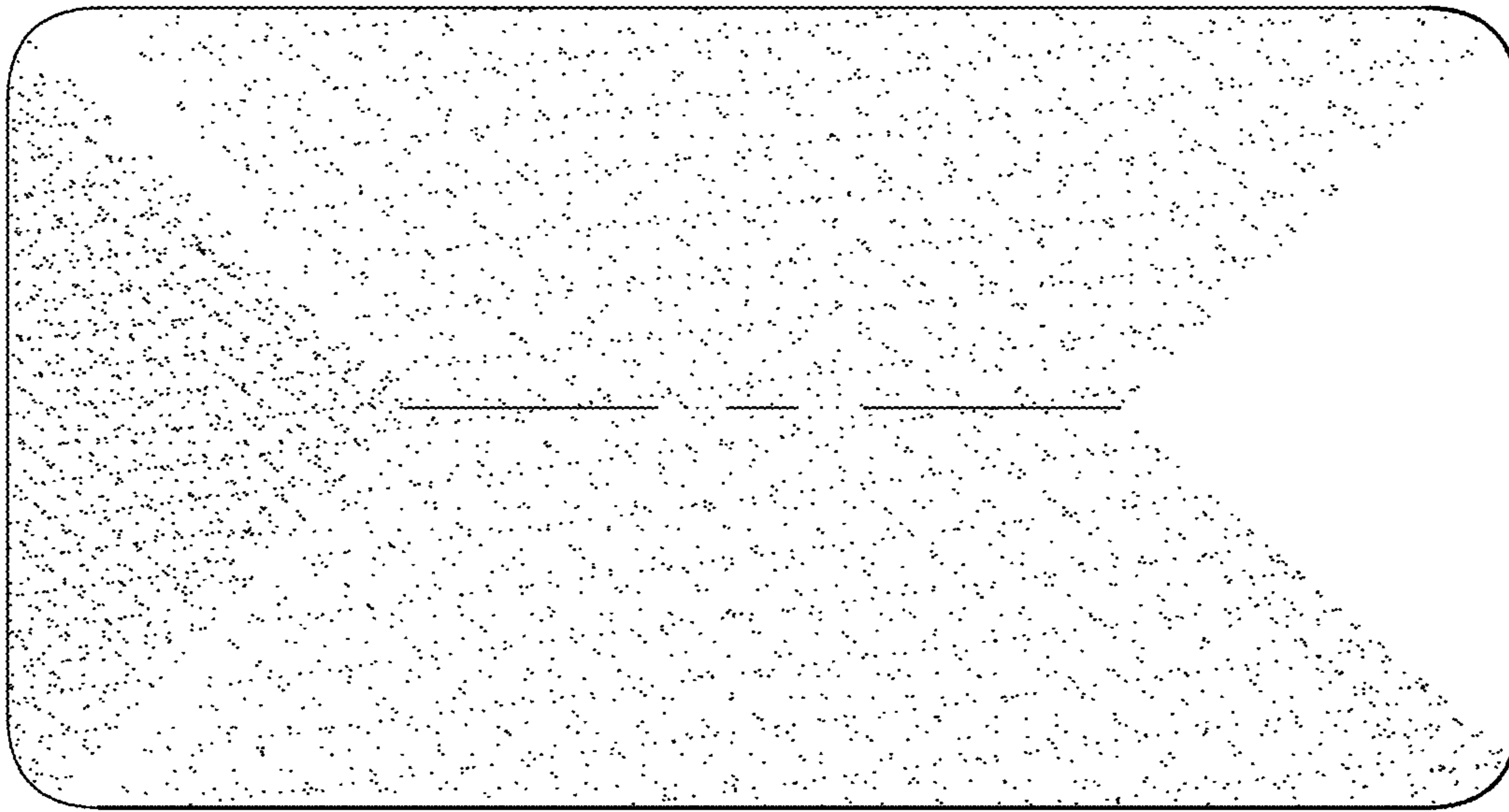


FIG. 5

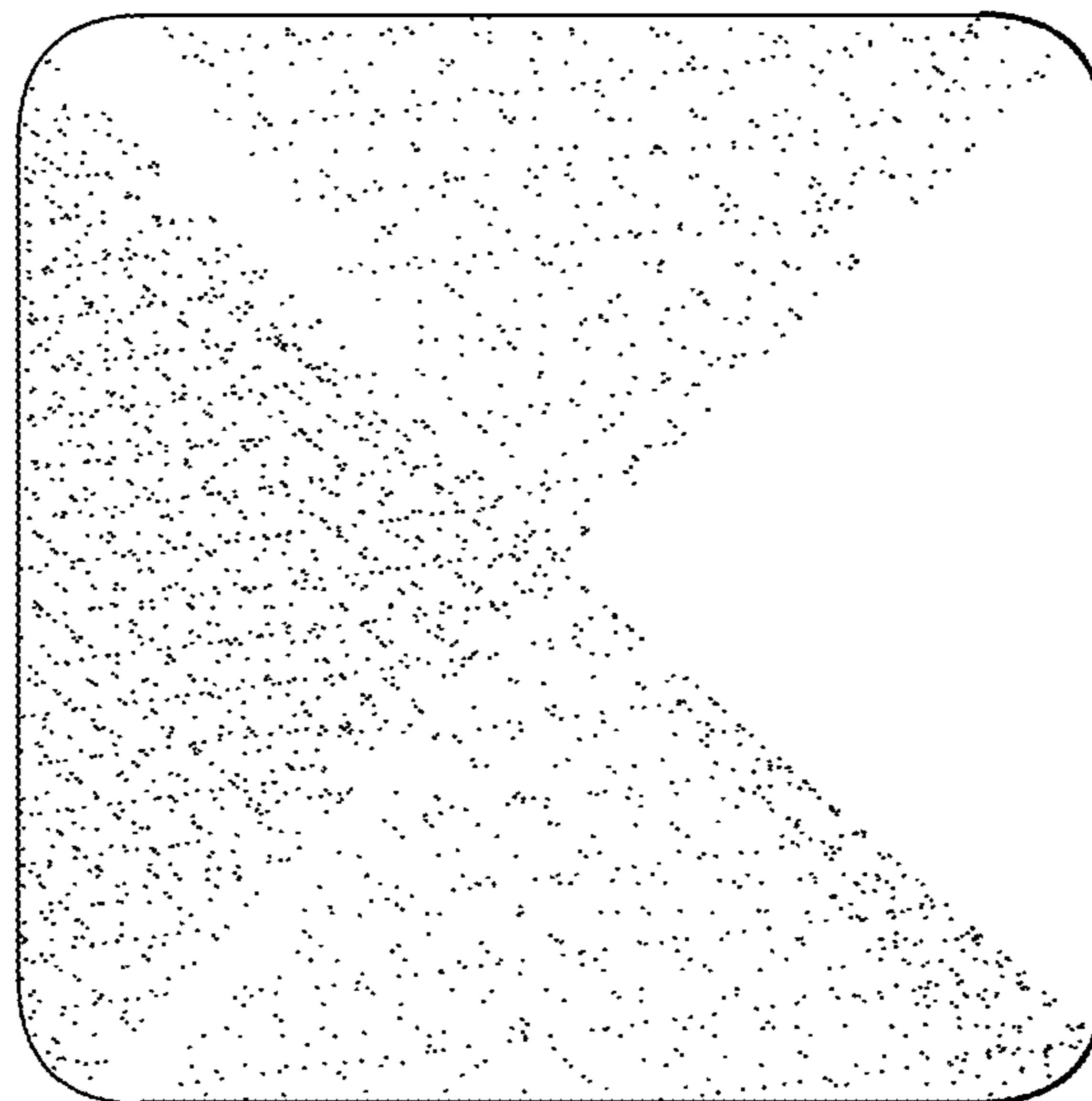


FIG. 6

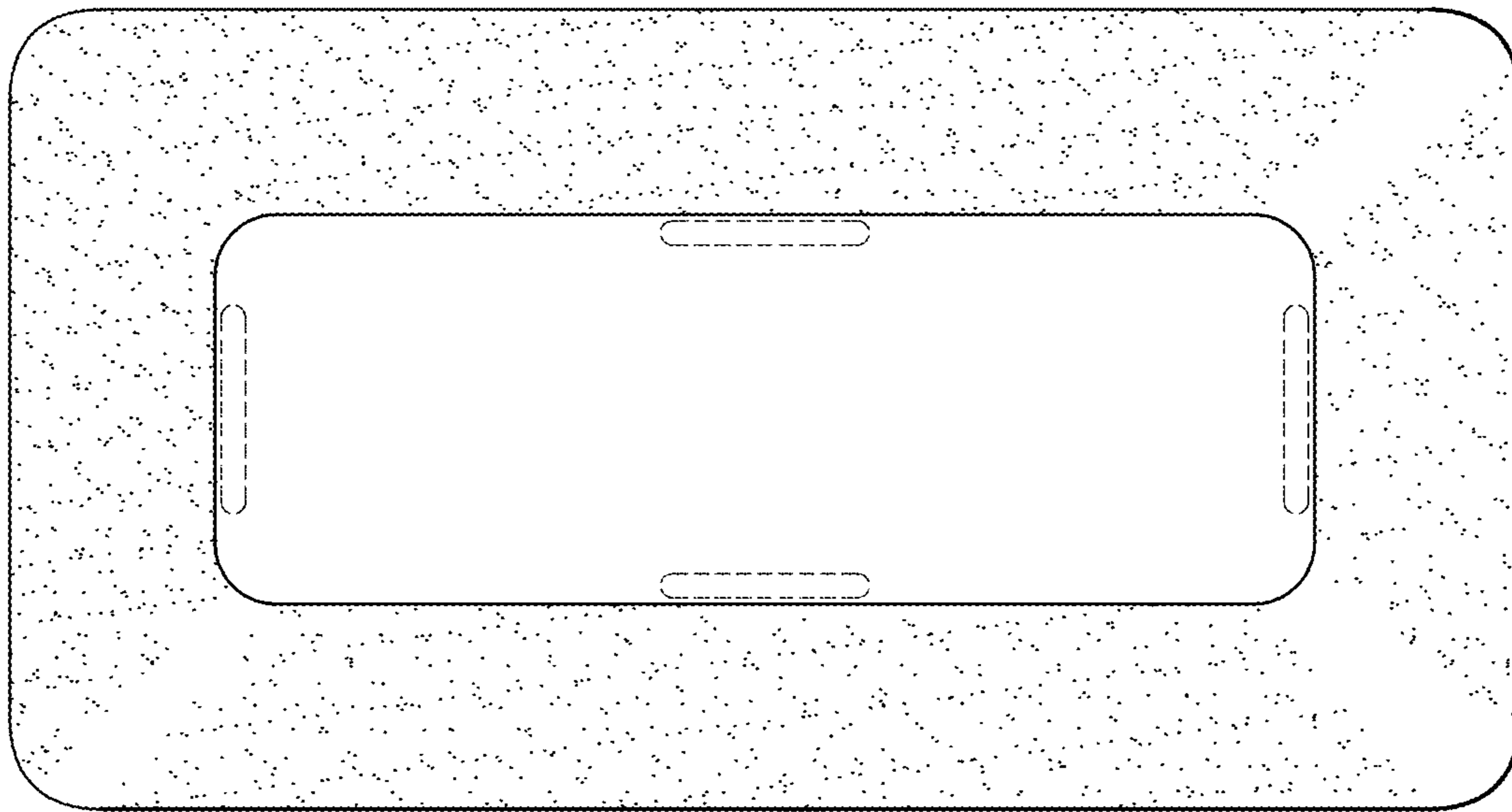


FIG. 7

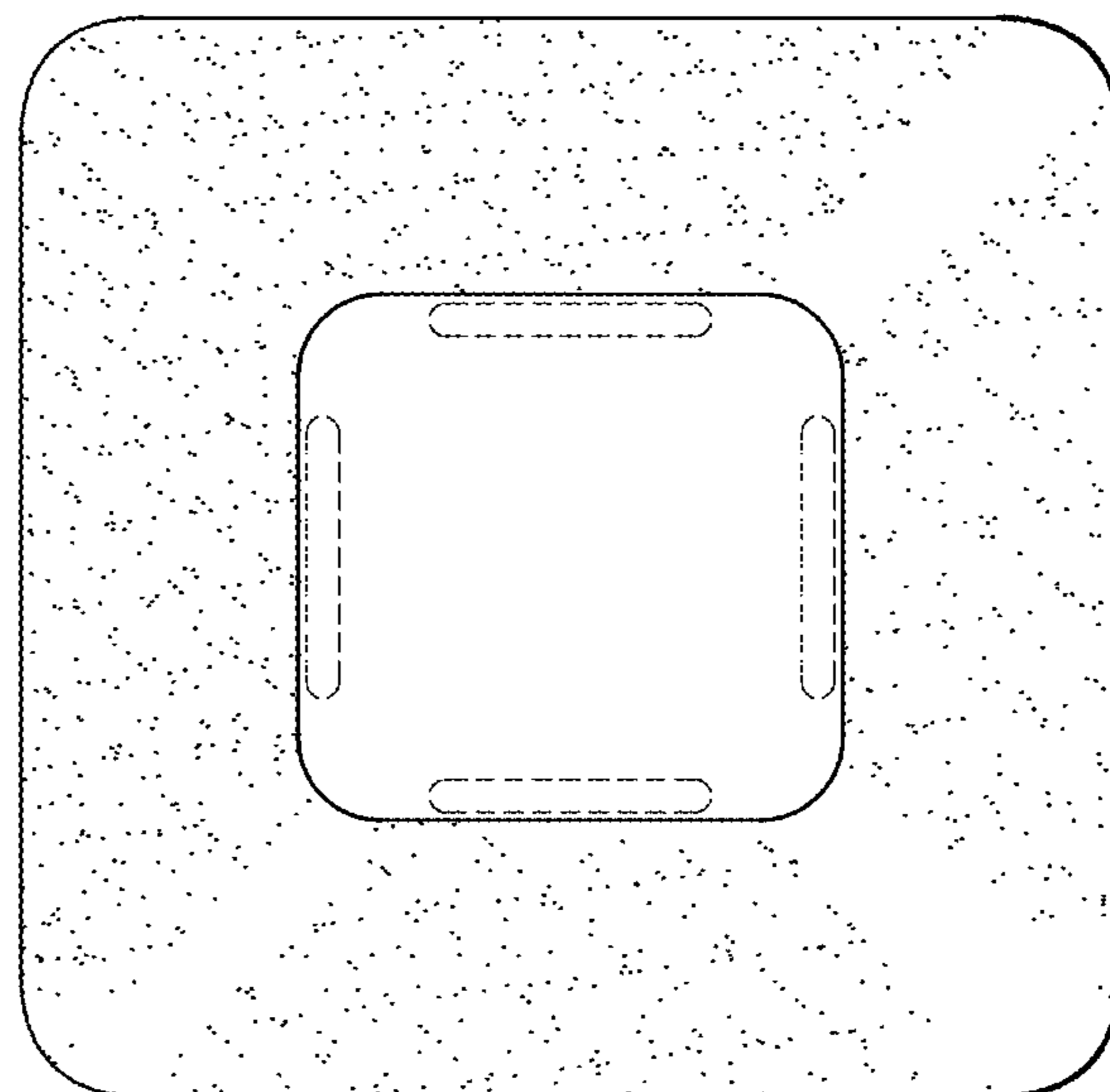


FIG. 8

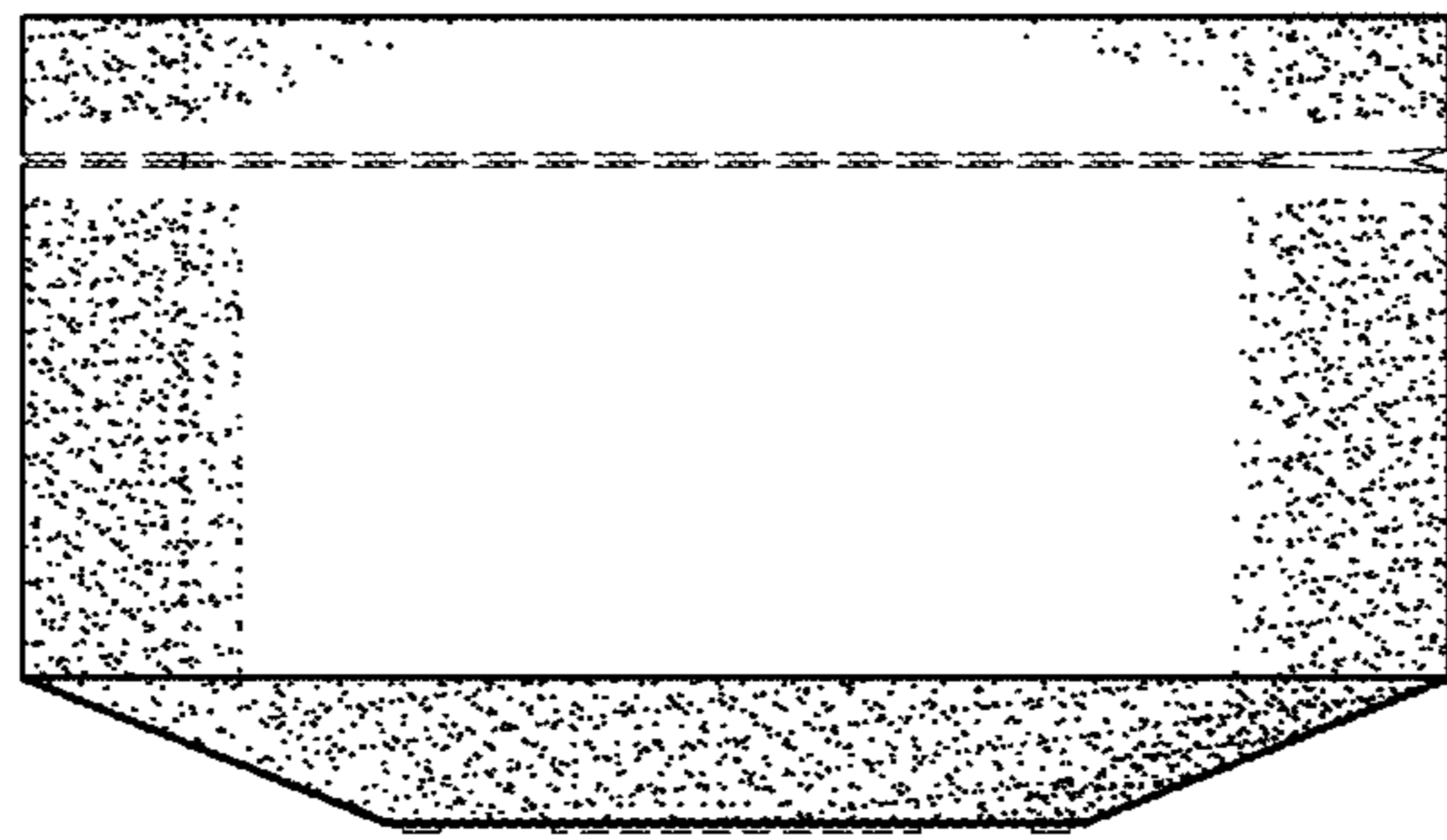


FIG. 9

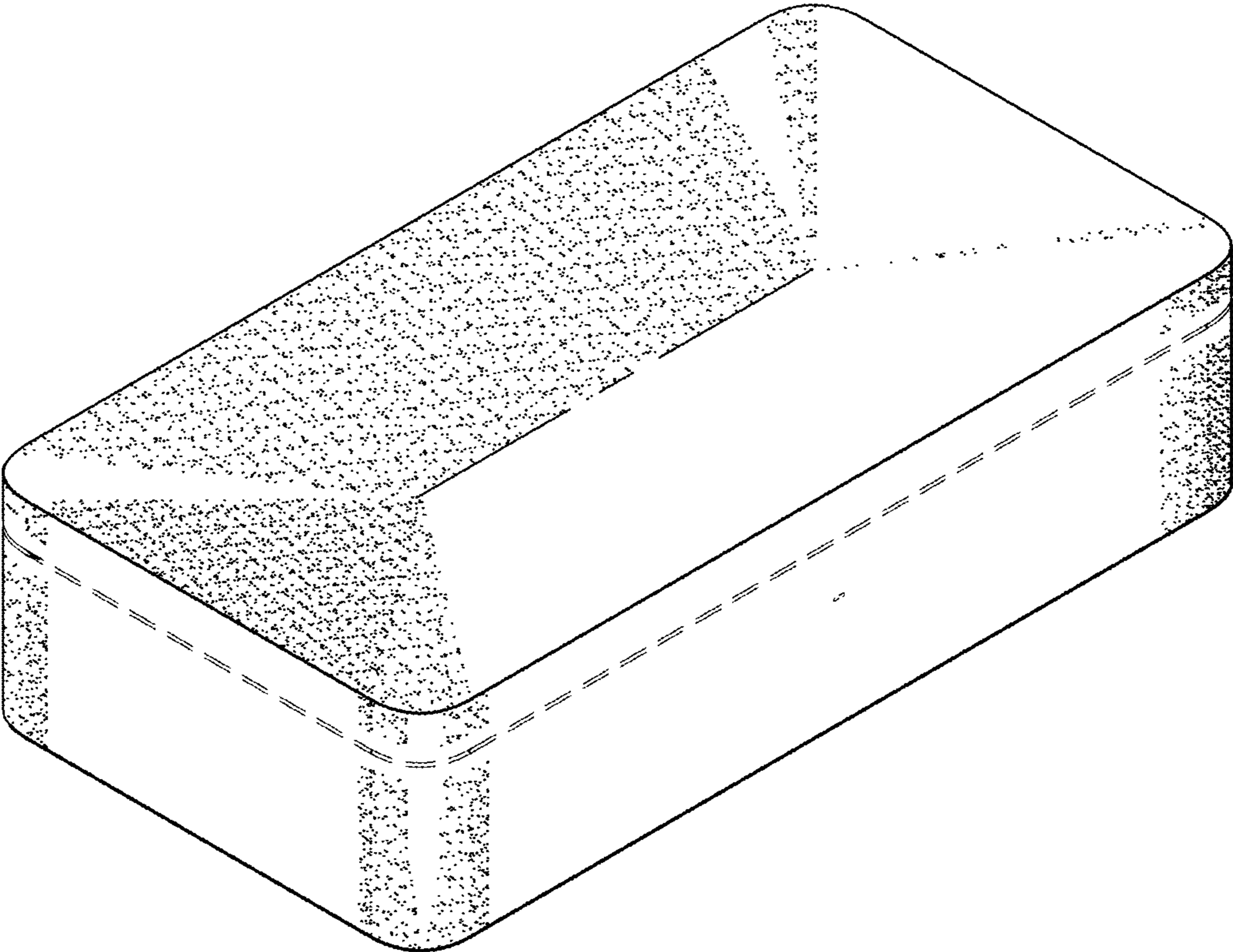


FIG. 10

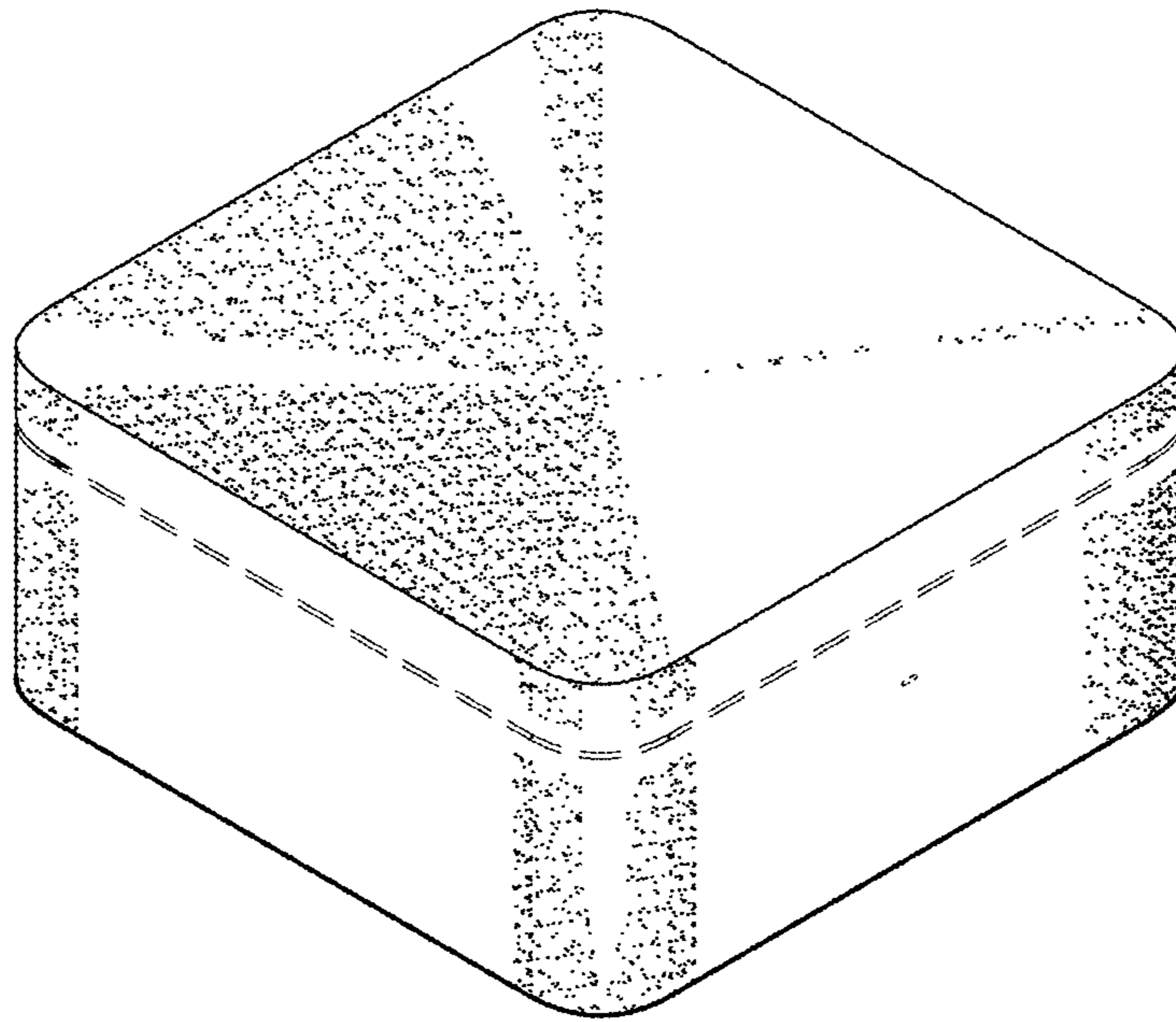


FIG. 11

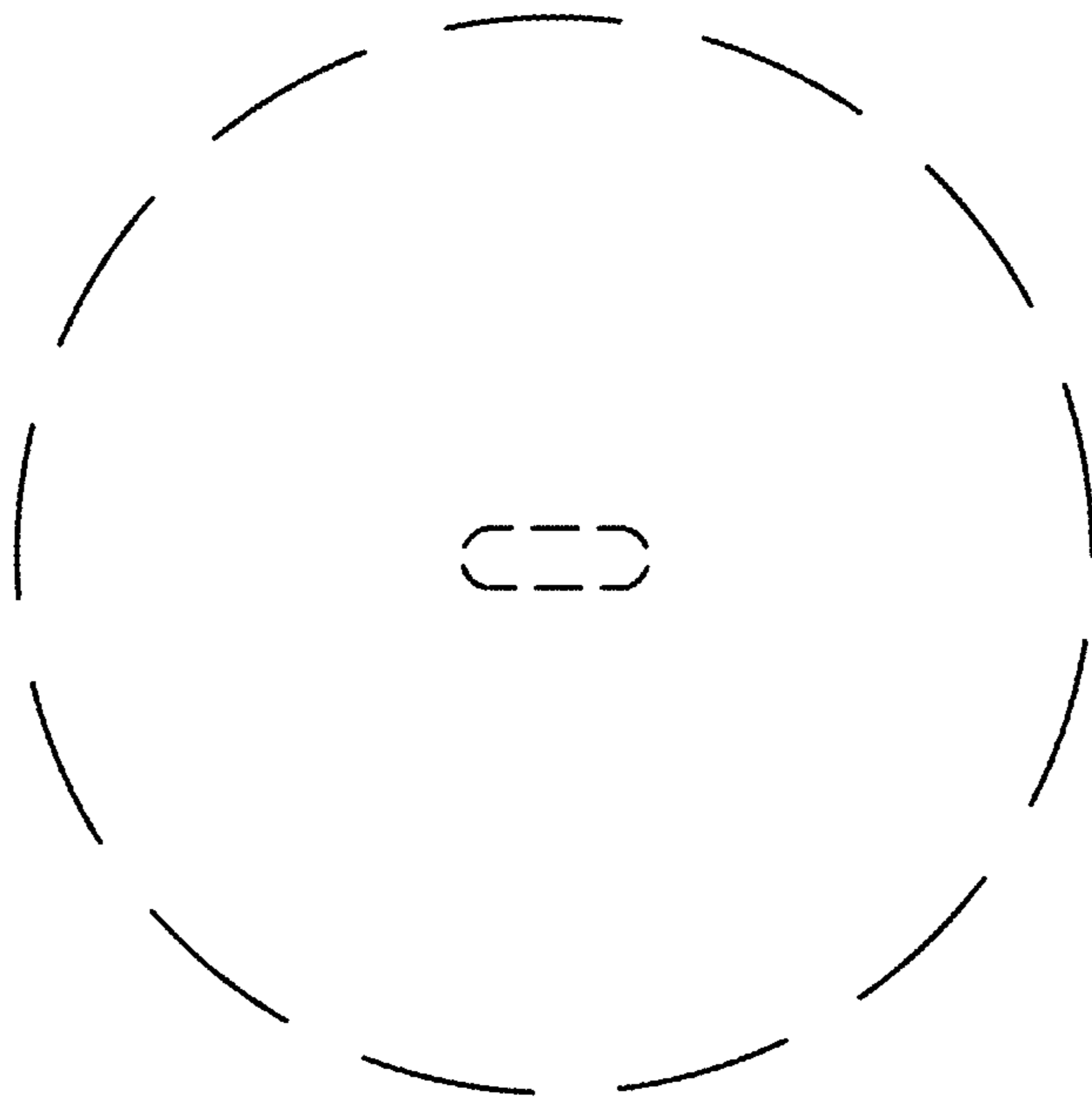


FIG. 12