



US00D920622S

(12) **United States Design Patent** (10) **Patent No.:** **US D920,622 S**  
**Bar Zeev et al.** (45) **Date of Patent:** **\*\* May 25, 2021**

(54) **STRESS REDUCING AND MEDITATION ASSISTING DEVICE**

D824,634 S \* 7/2018 Hall ..... D99/25  
D831,924 S \* 10/2018 Oyler ..... D99/25  
10,632,279 B2 \* 4/2020 Akimoto ..... G04F 5/02  
2004/0076938 A1 \* 4/2004 Publicover ..... A63B 60/10  
434/248  
2008/0096728 A1 \* 4/2008 Foley ..... A61B 5/486  
482/13

(71) Applicant: **REFLECT INNOVATION LTD.**,  
Herzliya (IL)

(72) Inventors: **Omri Bar Zeev**, Tel Aviv (IL); **Boaz Zemer**, Tel Aviv (IL); **Sasha Leikin**, Jaffa-Tel Aviv (IL); **Shir Hechter**, Tel Aviv (IL); **Etay Amir**, Jaffa-Tel Aviv (IL)

(73) Assignee: **REFLECT INNOVATION LTD.**,  
Herzliya (IL)

(\*\*) Term: **15 Years**

(21) Appl. No.: **29/710,925**

(22) Filed: **Oct. 28, 2019**

(51) **LOC (13) Cl.** ..... **11-01**

(52) **U.S. Cl.**  
USPC ..... **D99/25**

(58) **Field of Classification Search**  
USPC ..... D99/25; D26/14; D6/582–589  
CPC . F21V 21/00; F23L 7/00; A63B 21/00; A63B 23/18; A47G 9/06; A61M 21/00; A61B 5/00

See application file for complete search history.

(56) **References Cited**

**U.S. PATENT DOCUMENTS**

D3,842 S \* 2/1870 Ripley ..... D99/25  
1,676,006 A \* 7/1928 Crook ..... H02G 7/14  
174/42  
D173,591 S \* 11/1954 Reilley ..... D99/25  
D358,017 S \* 5/1995 Clark ..... D99/99  
D405,385 S \* 2/1999 Cox ..... D11/131  
D501,694 S \* 2/2005 Cannon ..... D11/90  
D616,103 S \* 5/2010 Ford-Robertson ..... D24/200  
D712,114 S \* 8/2014 Tarashchansky ..... D99/25

**FOREIGN PATENT DOCUMENTS**

CN 303856228 \* 9/2016

**OTHER PUBLICATIONS**

Reflect—Relaxation in your Hands, no date, <https://reflectinnovation.com/>, site visited Aug. 15, 2020.\*

\* cited by examiner

*Primary Examiner* — John R Yeh

(74) *Attorney, Agent, or Firm* — The Roy Gross Law Firm, LLC; Roy Gross

(57) **CLAIM**

The ornamental design for stress reducing and meditation assisting device, as shown and described.

**DESCRIPTION**

FIG. 1 is a perspective view of a stress reducing and meditation assisting device in accordance with the new design;

FIG. 2 is a front view thereof;

FIG. 3 is a rear view thereof;

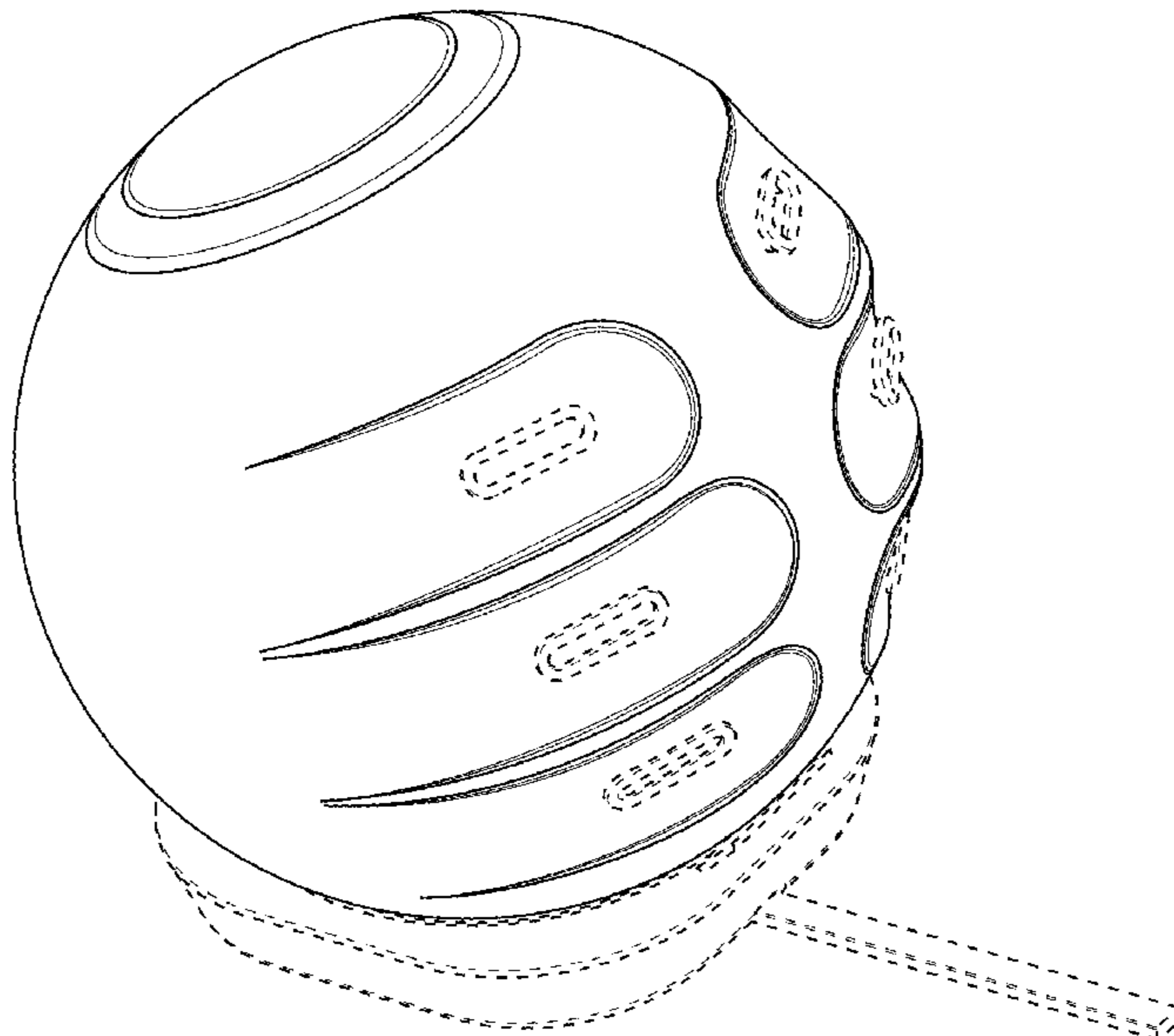
FIG. 4 is a left side view thereof;

FIG. 5 is a top view thereof; and,

FIG. 6 is a bottom view thereof.

The broken lines illustrate portions of the stress reducing and meditation assisting device that form no part of the claimed design.

**1 Claim, 6 Drawing Sheets**



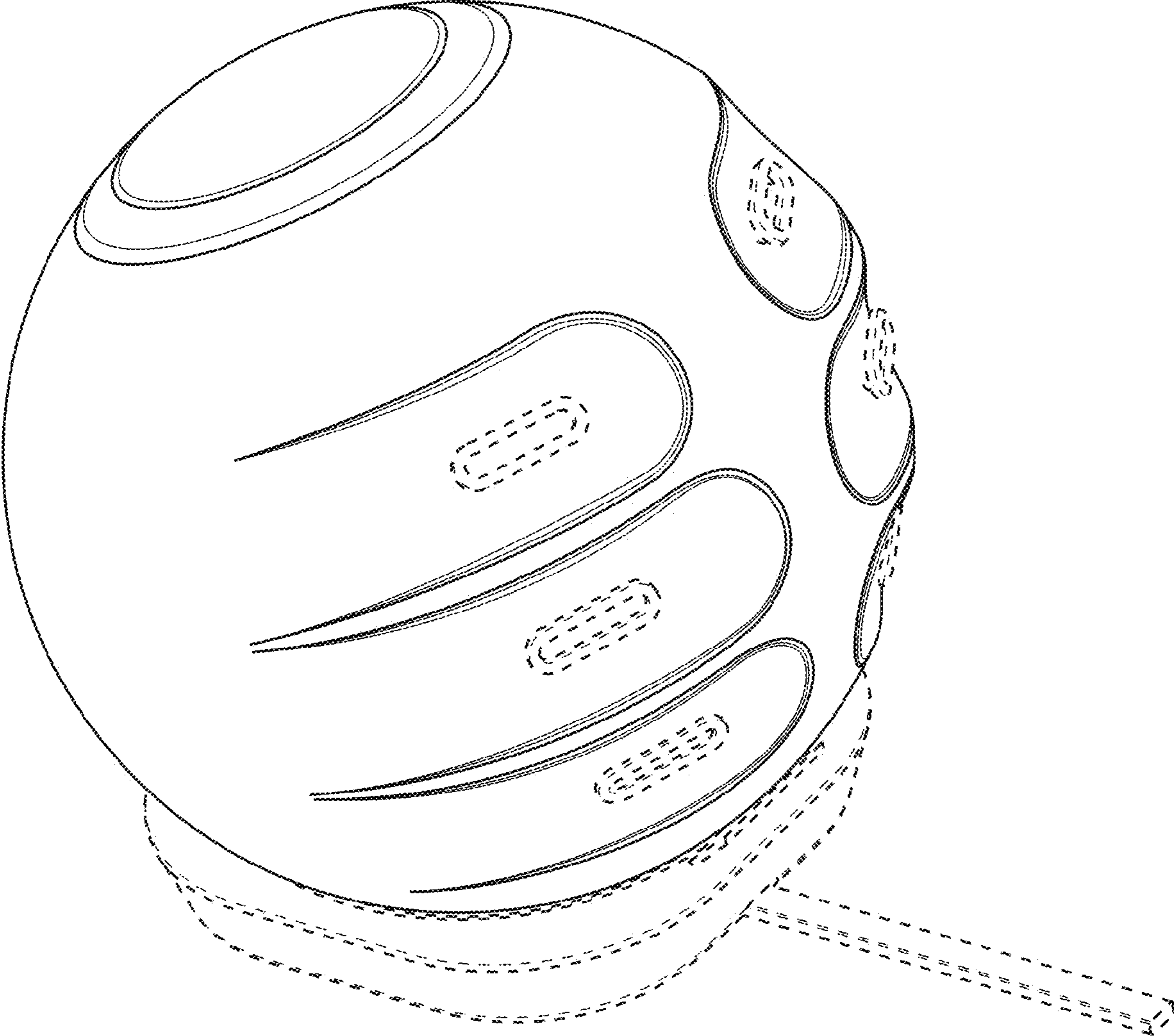


FIG. 1

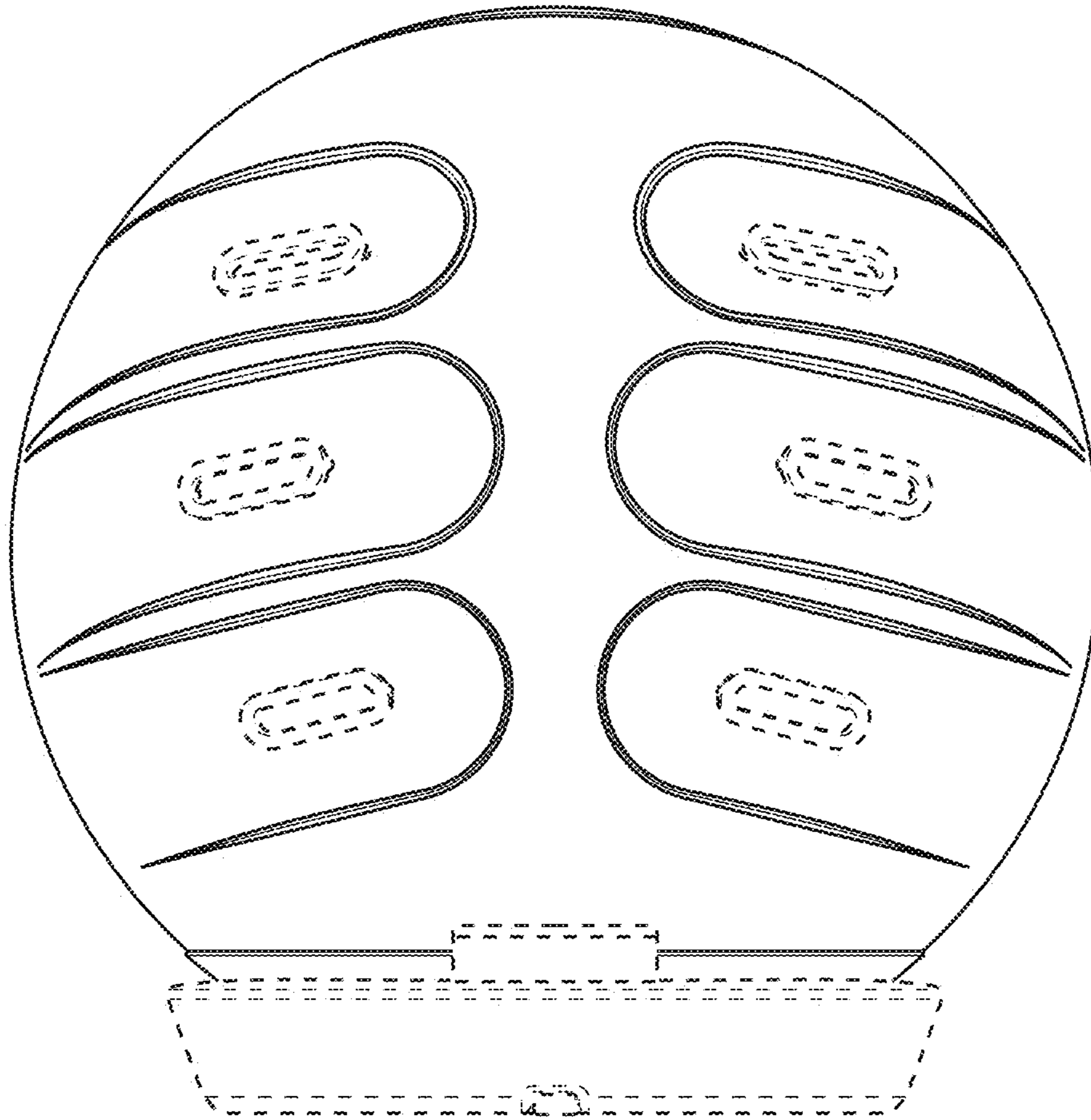


FIG. 2

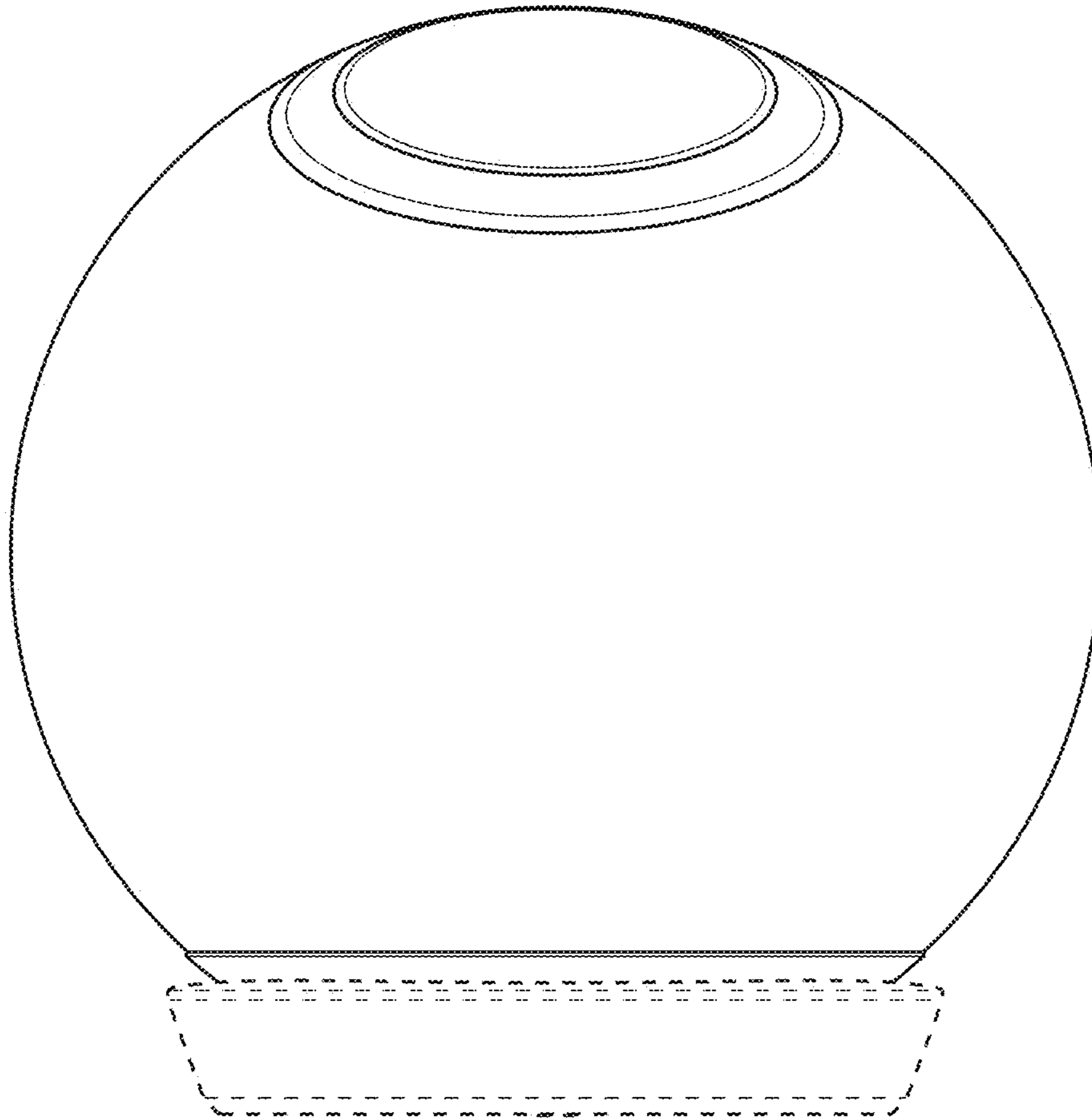


FIG. 3

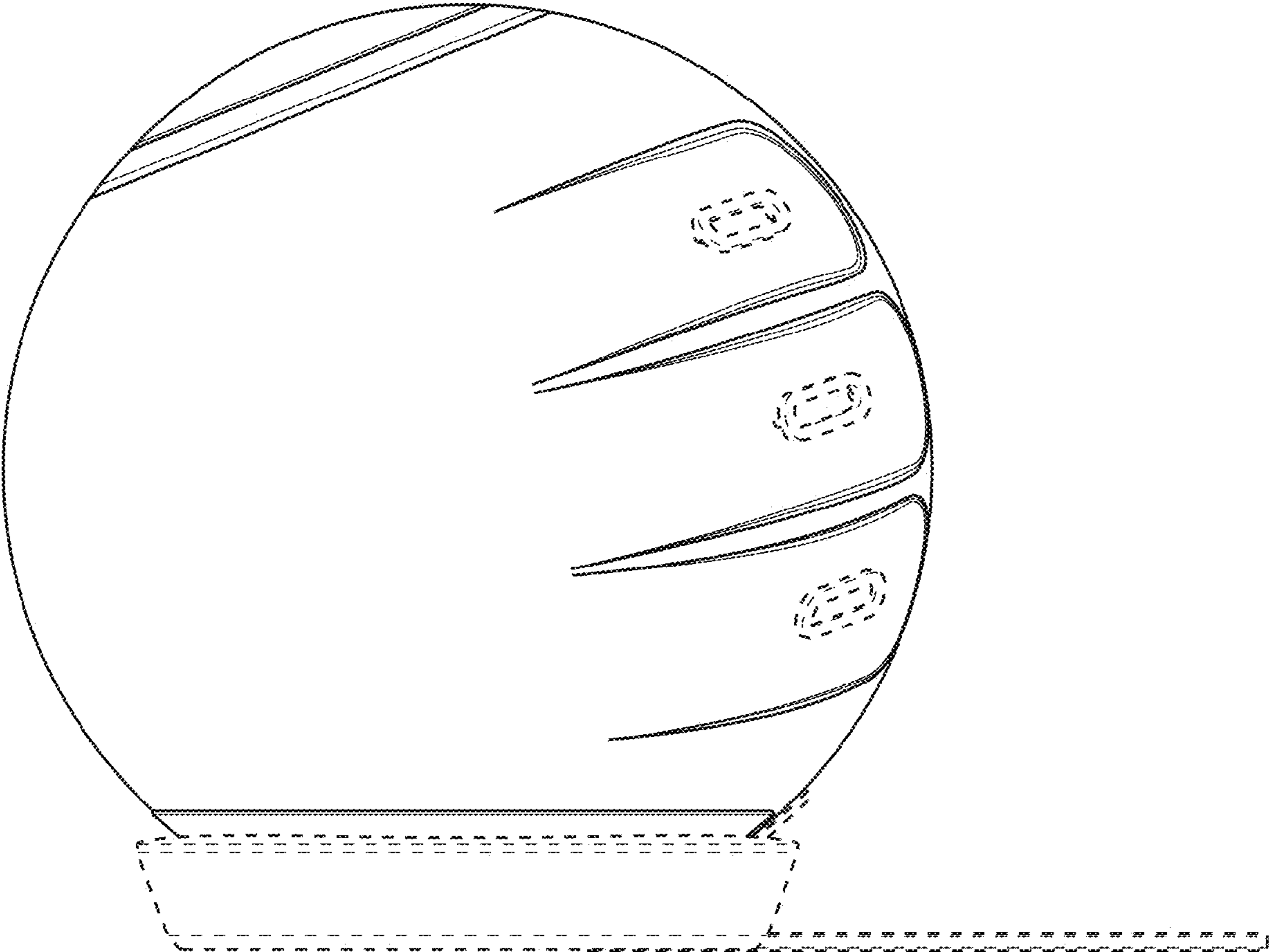


FIG. 4

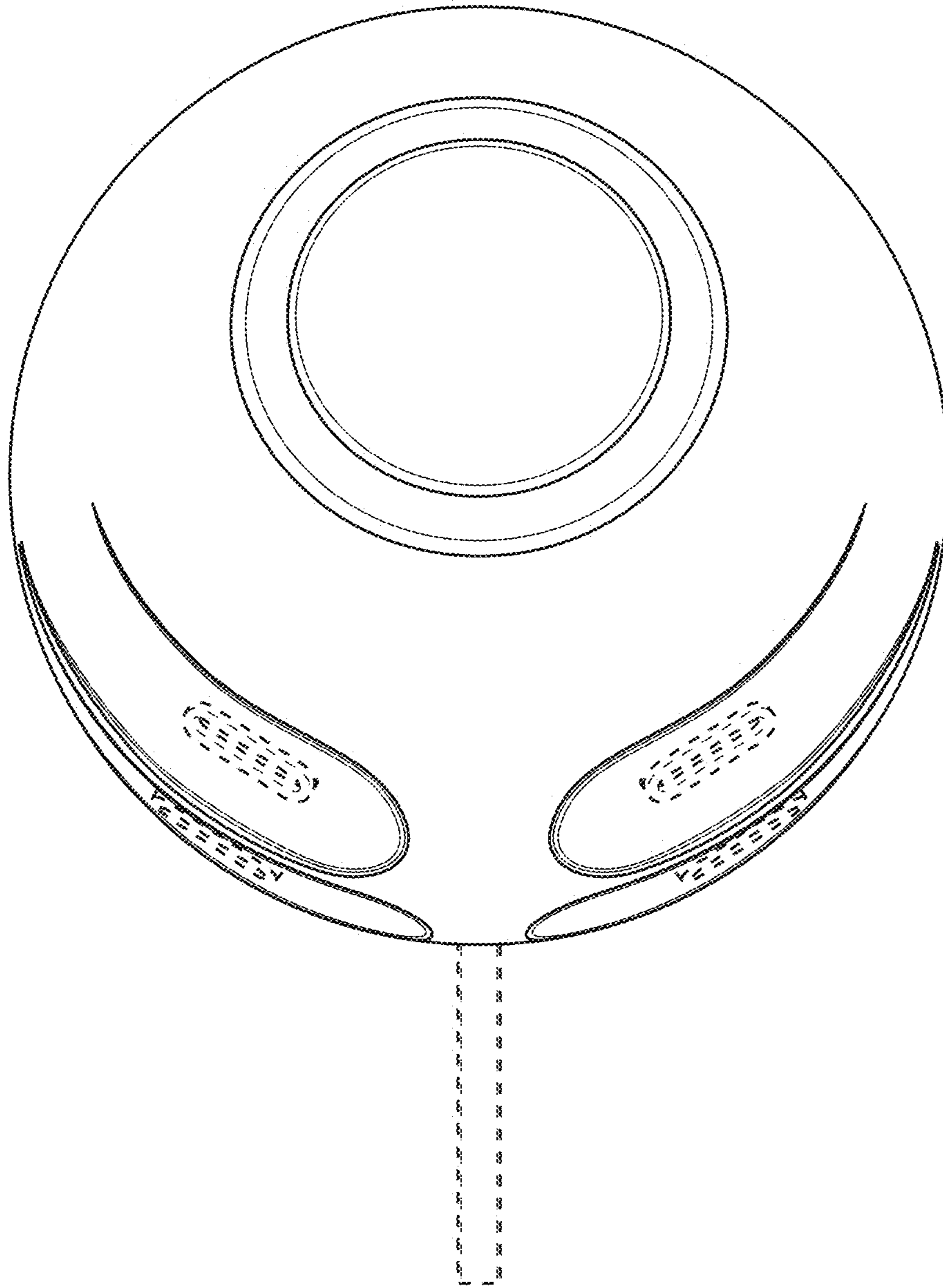


FIG. 5

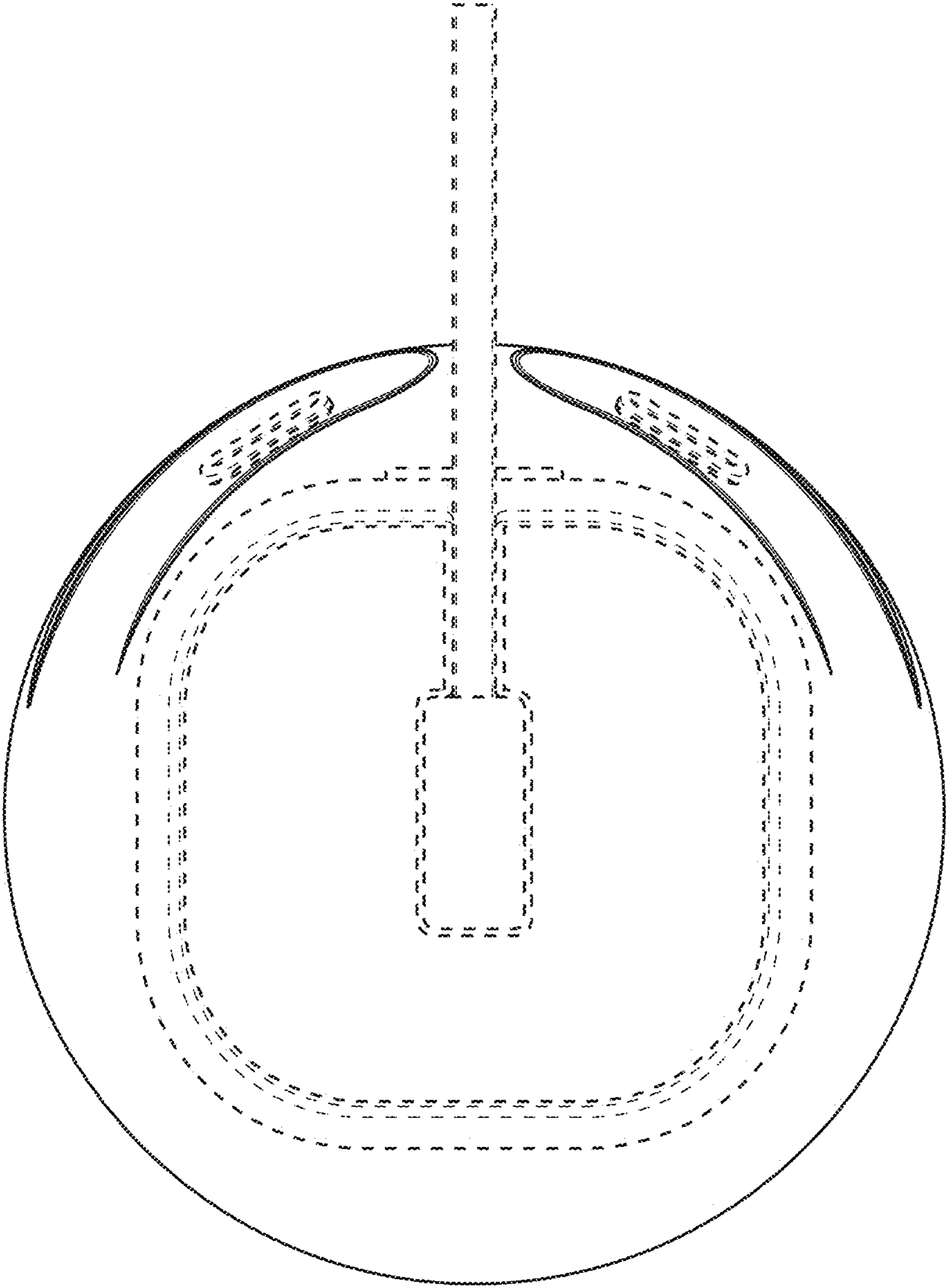


FIG. 6