

US00D920620S

(12) **United States Design Patent**
Coccaro

(10) **Patent No.:** **US D920,620 S**

(45) **Date of Patent:** **** May 25, 2021**

(54) **WHEEL DOLLY**

(71) Applicant: **Albert V. Coccaro**, Mt. Kisco, NY
(US)

(72) Inventor: **Albert V. Coccaro**, Mt. Kisco, NY
(US)

(**) Term: **15 Years**

(21) Appl. No.: **29/664,582**

(22) Filed: **Sep. 26, 2018**

(51) **LOC (13) Cl.** **12-02**

(52) **U.S. Cl.**
USPC **D34/23**

(58) **Field of Classification Search**
USPC D34/12-23
CPC .. B62B 3/00; B62B 3/02; B62B 3/002; B62B
3/14; B62B 3/001; B62B 3/022; B62B
3/027; B62B 3/12; B62B 3/005; B62B
3/1404; B62B 1/12; B62B 5/0438; B60B
29/00; B60B 29/002; B66F 9/12; B66F
9/18; B66F 9/19; B66F 9/20
See application file for complete search history.

(56) **References Cited**

U.S. PATENT DOCUMENTS

- 5,112,070 A * 5/1992 Hahn B60B 29/002
280/79.4
- D349,994 S * 8/1994 Schurr D34/12
- 5,732,960 A * 3/1998 Elam B60B 29/002
254/113
- 7,097,406 B1 * 8/2006 Gang B60B 29/002
254/105
- D532,575 S 11/2006 Oberg

- D798,521 S * 9/2017 Huddy D34/23
- D824,132 S * 7/2018 Shao D34/31
- 10,279,827 B1 * 5/2019 Mason B60B 29/001
- 10,632,787 B1 * 4/2020 Goetsch B62B 1/10
- D897,065 S * 9/2020 Goetsch D34/23
- 2003/0091416 A1 * 5/2003 Tortellier B60B 29/002
414/426
- 2008/0101898 A1 * 5/2008 Hernandez B66F 7/0641
414/426

FOREIGN PATENT DOCUMENTS

EP 0317044 A2 * 5/1989 B60B 29/002

OTHER PUBLICATIONS

Zendex Tool Corp., "Gojak—The Faster Caster System," 2013, pp. 1-6, Zendex Tool Corp., Danbury, CT, USA.

* cited by examiner

Primary Examiner — Cynthia Ramirez
(74) *Attorney, Agent, or Firm* — Law Offices of Michael L. Wise, LLC

(57) **CLAIM**

The ornamental design for a wheel dolly, as shown.

DESCRIPTION

FIG. 1 is a top perspective view of a wheel dolly showing my new design;

FIG. 2 is a front view thereof;

FIG. 3 is a rear view thereof;

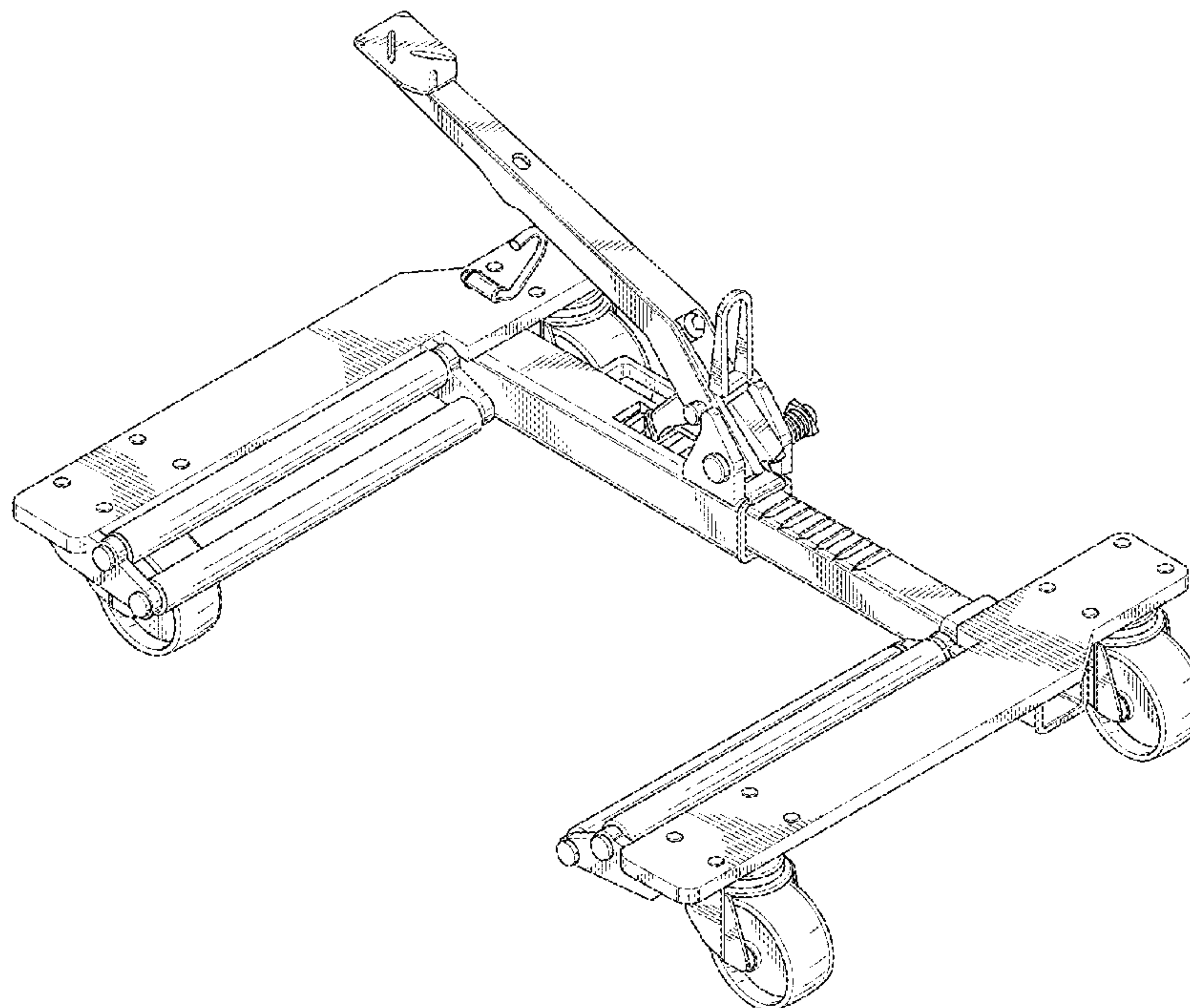
FIG. 4 is a right side view thereof;

FIG. 5 is a left side view thereof;

FIG. 6 is a top view thereof; and,

FIG. 7 is a bottom view thereof.

1 Claim, 6 Drawing Sheets



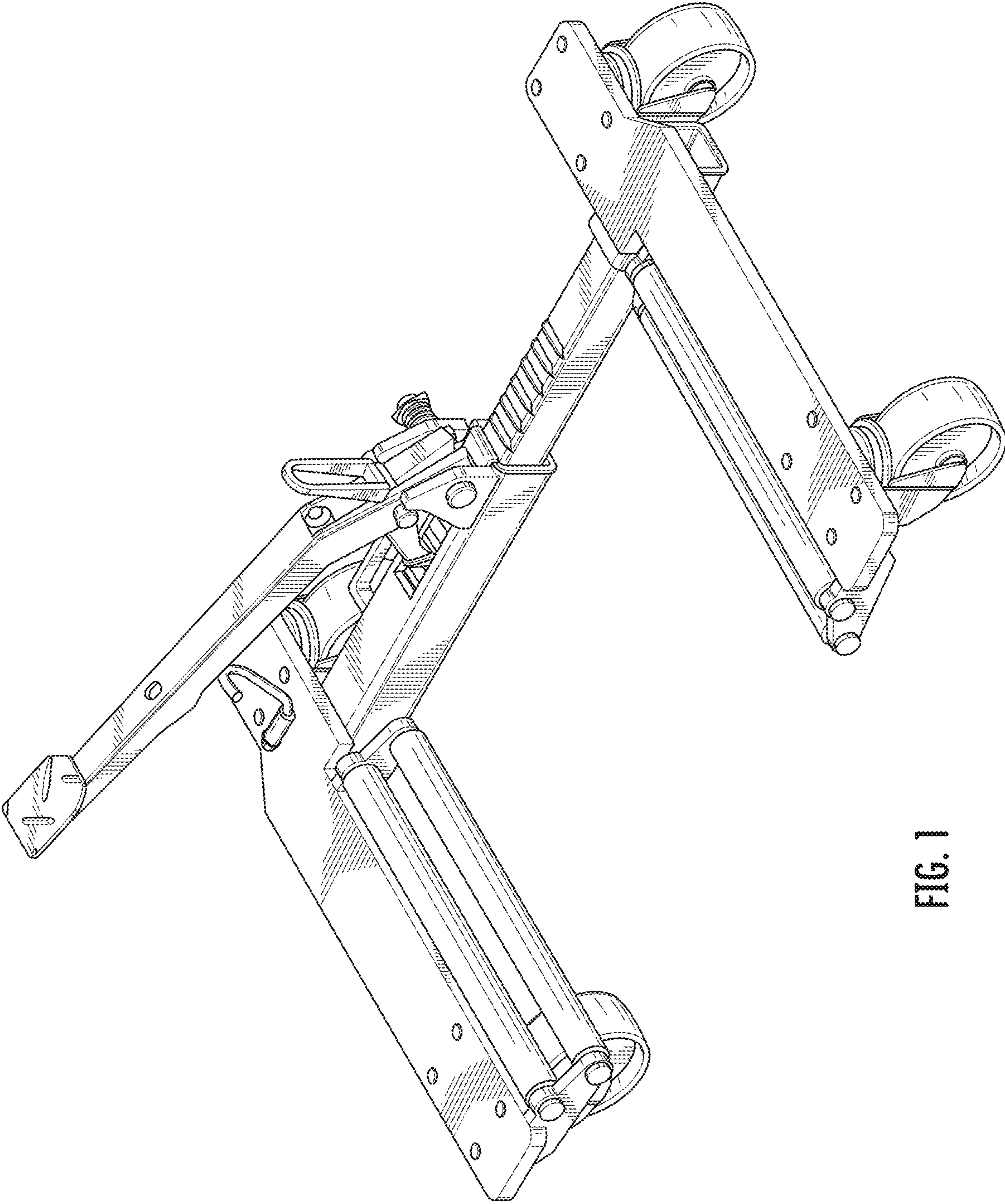


FIG. 1

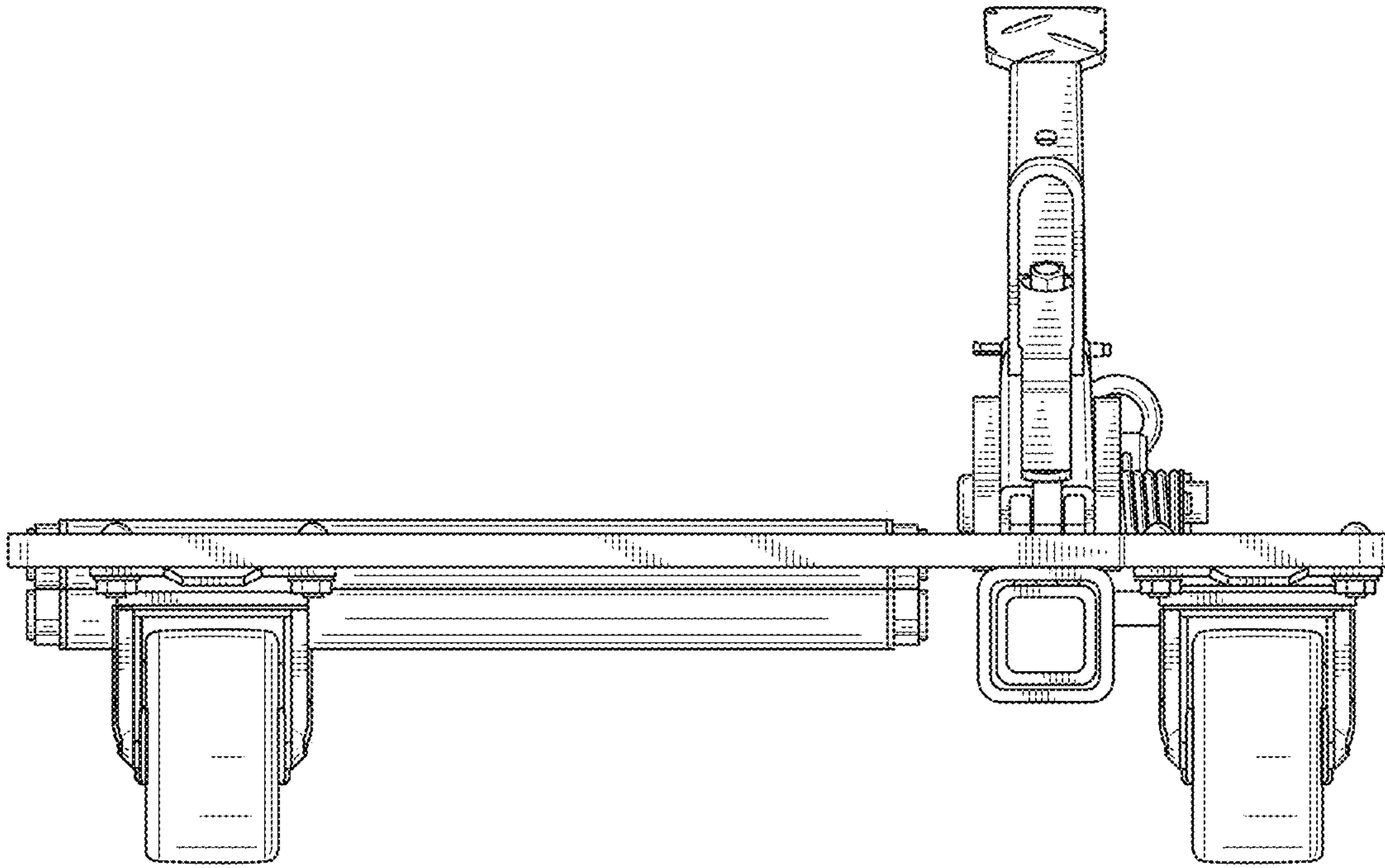


FIG. 2

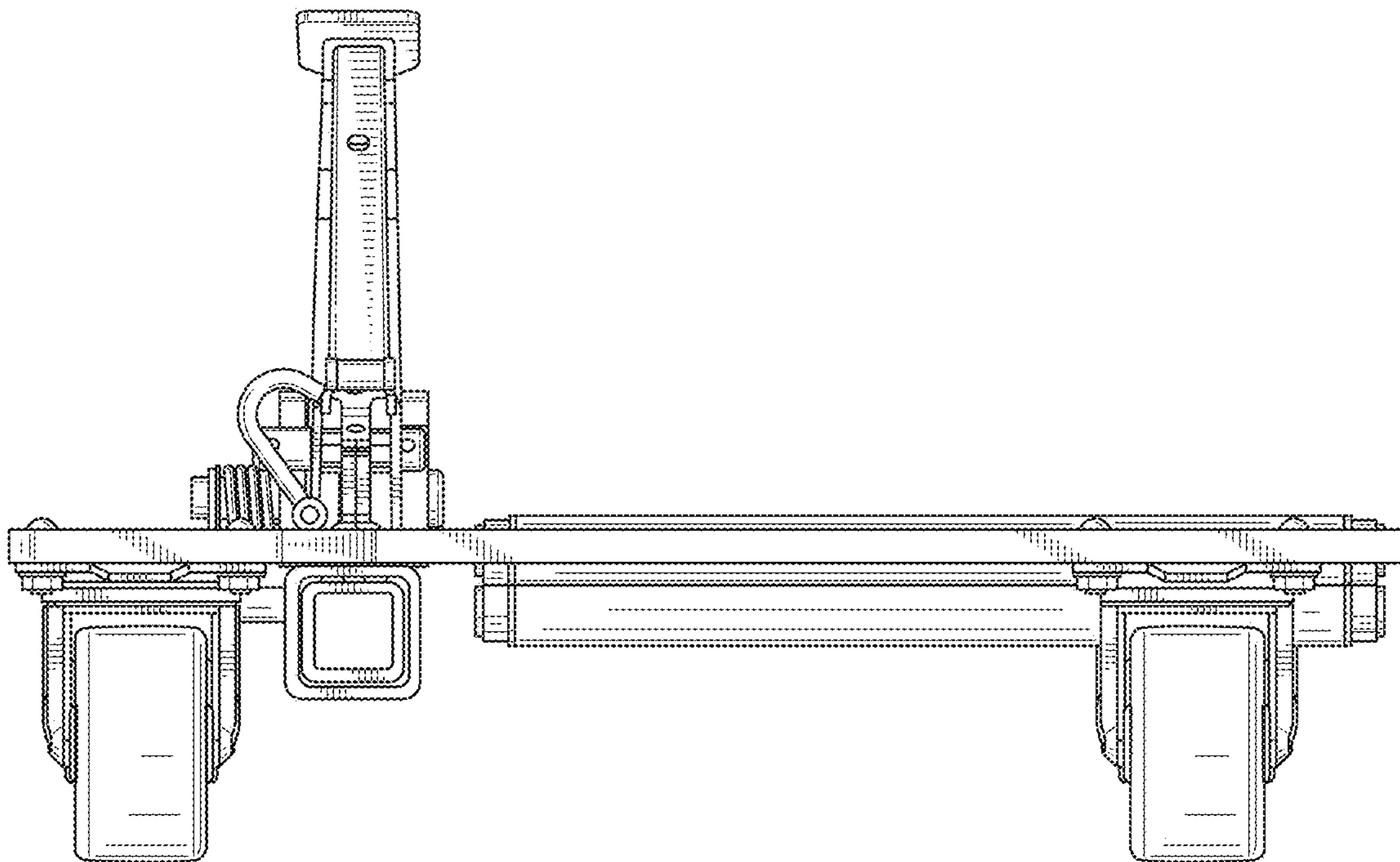


FIG. 3

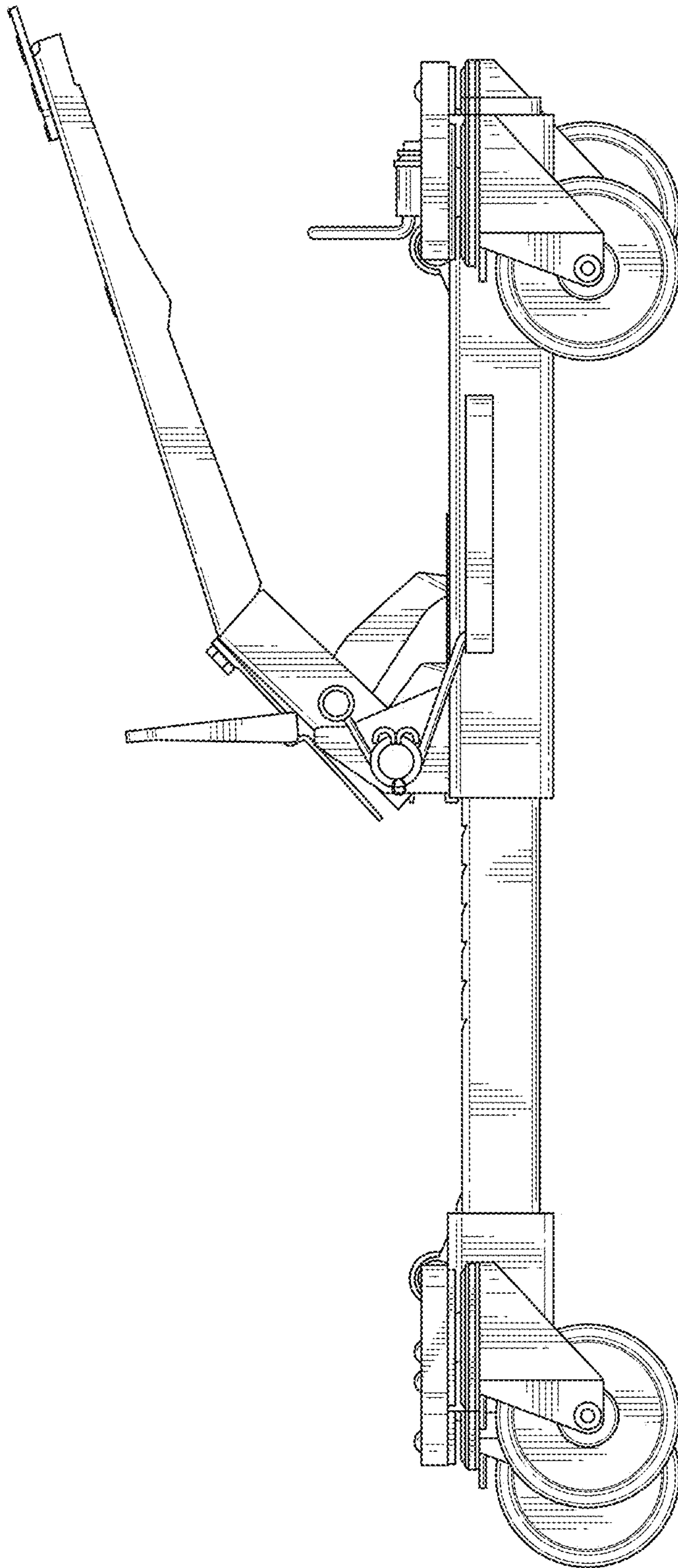


FIG. 4

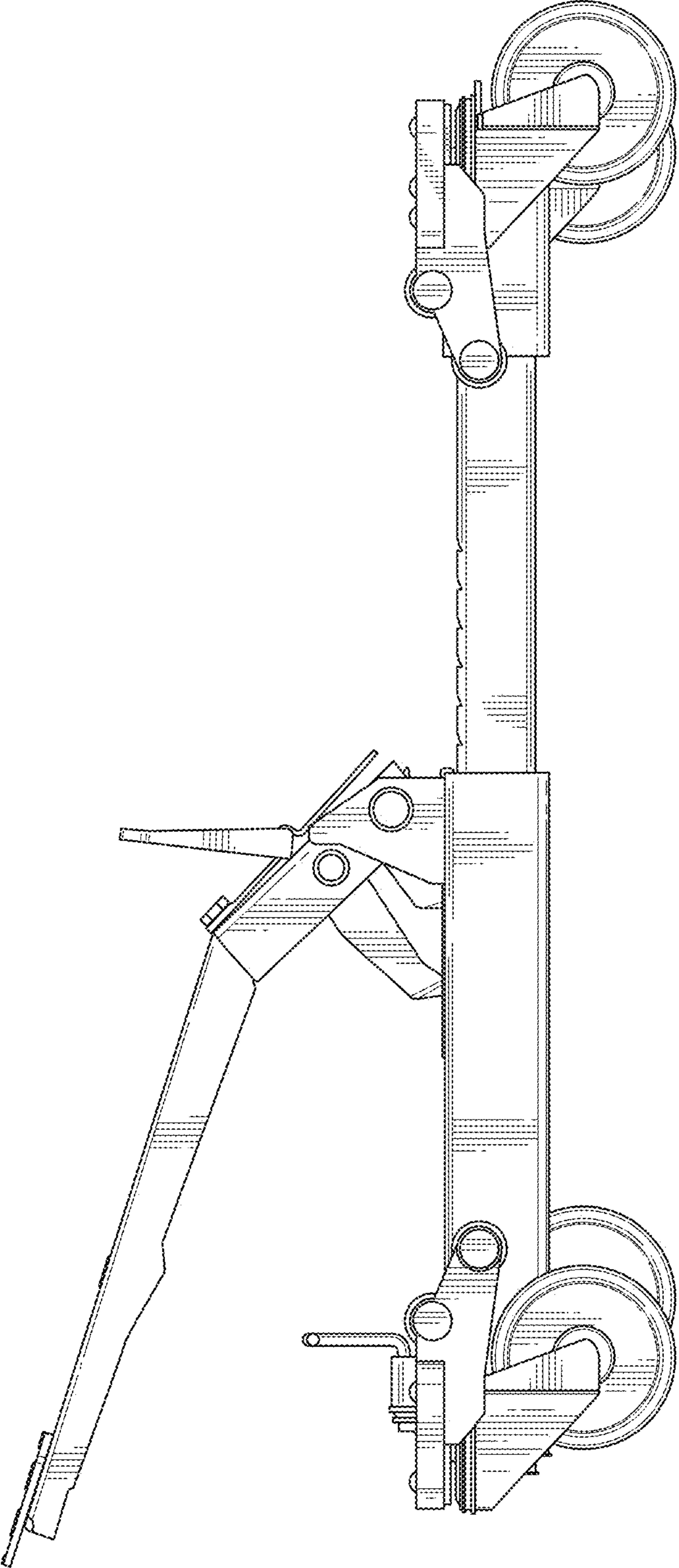


FIG. 5

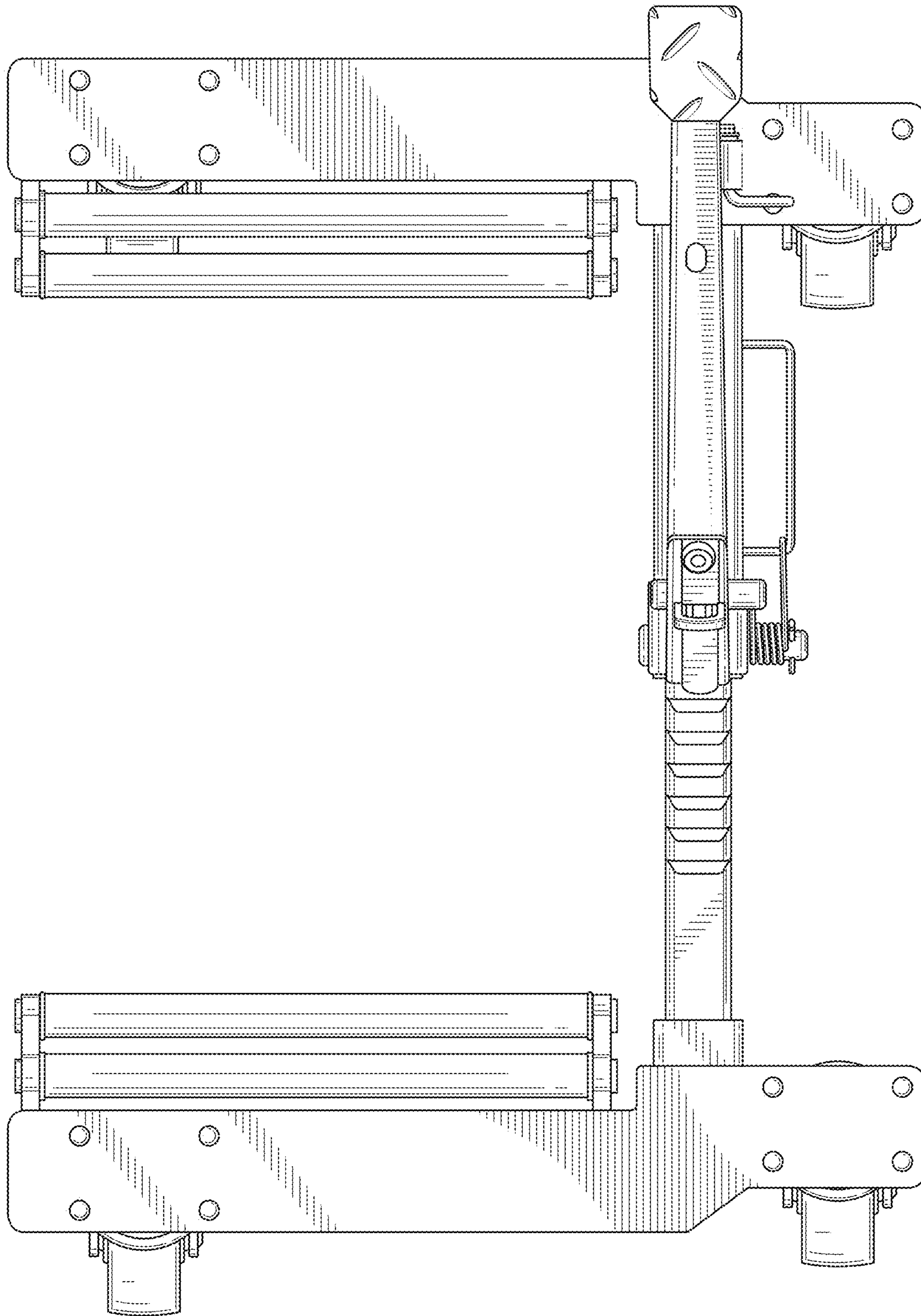


FIG. 6

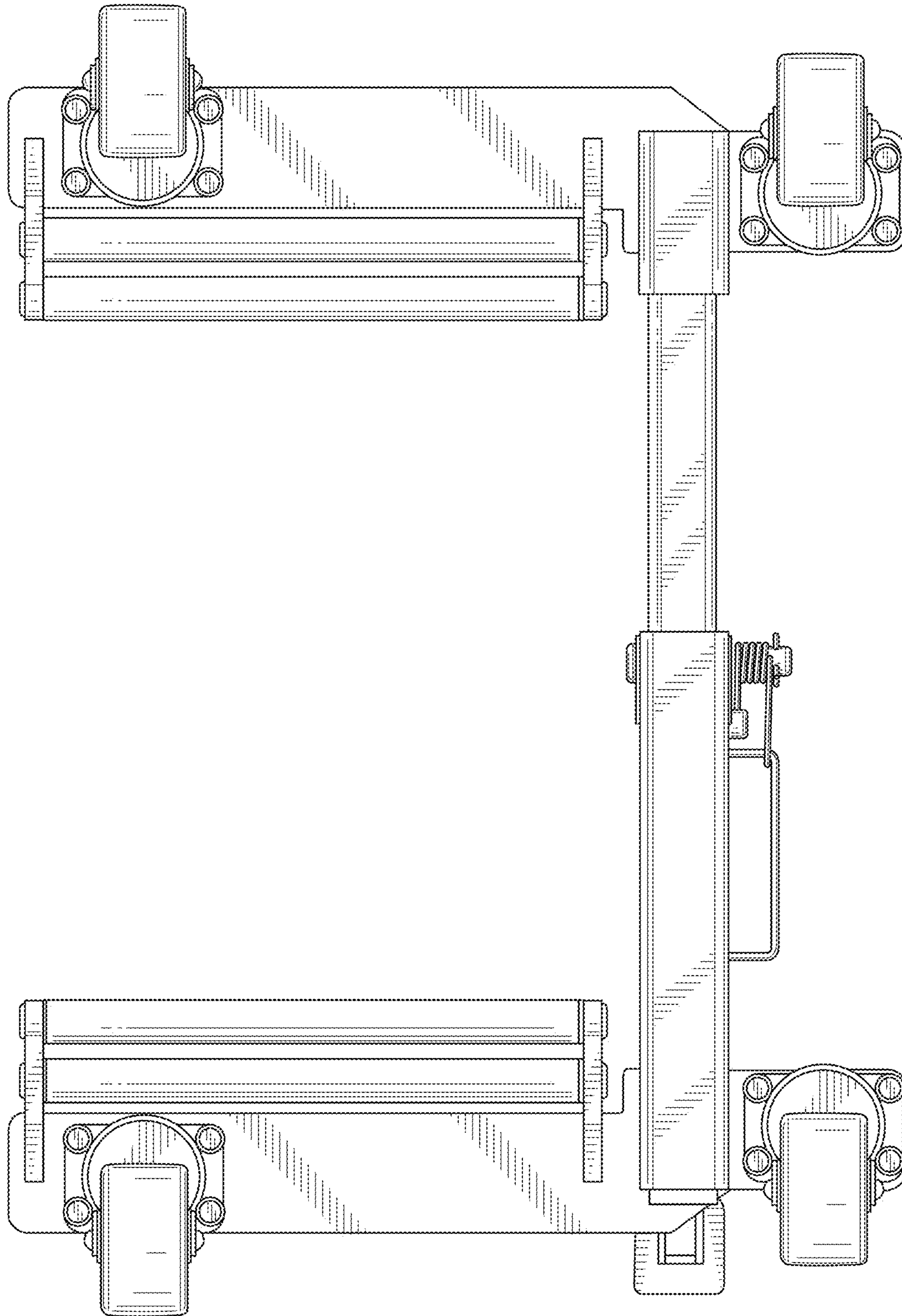


FIG. 7