

US00D920619S

(12) **United States Design Patent**  
**Cao**

(10) **Patent No.:** **US D920,619 S**

(45) **Date of Patent:** **\*\* May 25, 2021**

(54) **TROLLEY CART**

(71) Applicant: **Guohua Cao**, Guangdong (CN)

(72) Inventor: **Guohua Cao**, Guangdong (CN)

(\*\*) Term: **15 Years**

(21) Appl. No.: **29/709,742**

(22) Filed: **Oct. 17, 2019**

(51) **LOC (13) Cl.** ..... **12-02**

(52) **U.S. Cl.**  
USPC ..... **D34/21**

(58) **Field of Classification Search**  
USPC ..... D34/12-27; D3/304-315; D6/653.1,  
D6/400, 684, 445  
CPC ..... A61G 12/001; B62B 3/00; B62B 3/002;  
B62B 3/005  
See application file for complete search history.

(56) **References Cited**

**U.S. PATENT DOCUMENTS**

D832,549 S	*	10/2018	Cao	.....	D34/21
D846,824 S	*	4/2019	Cao	.....	D34/21
D846,825 S	*	4/2019	Cao	.....	D34/21
D850,753 S	*	6/2019	Cao	.....	D34/21
D852,448 S	*	6/2019	Hu	.....	D34/21
D858,928 S	*	9/2019	Cao	.....	D34/21
D899,826 S	*	10/2020	Cheng	.....	D6/675.1
D901,123 S	*	11/2020	Liu	.....	D34/21

D901,816 S	*	11/2020	Liu	.....	D34/21
D902,521 S	*	11/2020	Tsai	.....	D34/21
2020/0231197 A1	*	7/2020	Liu	.....	A47B 47/0083

**OTHER PUBLICATIONS**

Songmic Cart, announced Feb. 14, 2019 [online], [site visited Feb. 22, 2021], Available from internet, URL: [https://www.amazon.com/SONGMICS-Rolling-Adjustable-Assembly-Bathroom/dp/B07NQHJL8M/ref=sr\\_1\\_7](https://www.amazon.com/SONGMICS-Rolling-Adjustable-Assembly-Bathroom/dp/B07NQHJL8M/ref=sr_1_7) (Year: 2019).\*

\* cited by examiner

*Primary Examiner* — George A Bugg  
*Assistant Examiner* — Tamara L Hahn

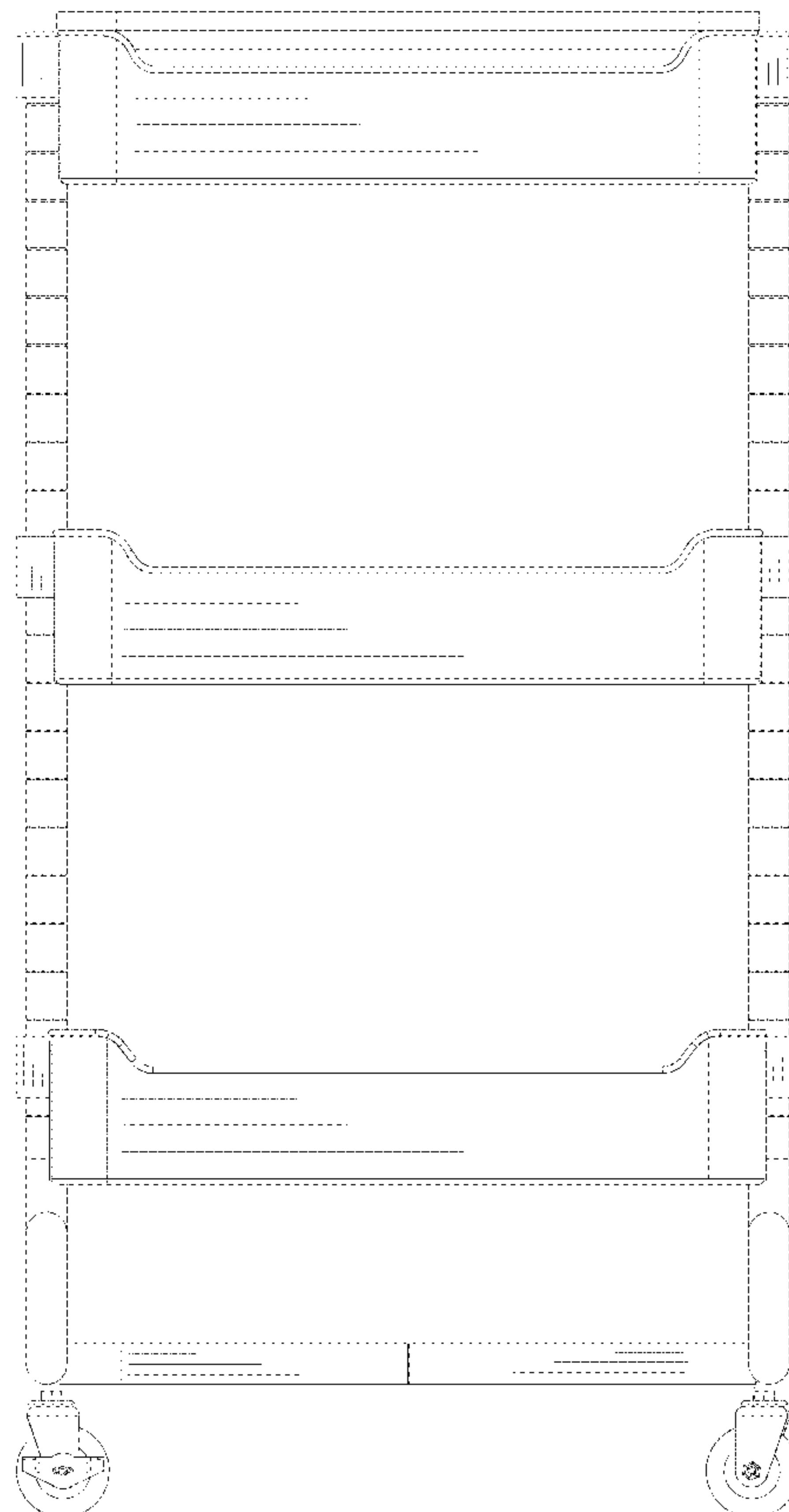
(57) **CLAIM**

The ornamental design for a trolley cart, as shown.

**DESCRIPTION**

FIG. 1 is a front elevational view of a trolley cart showing my new design;  
FIG. 2 is a rear elevational view thereof;  
FIG. 3 is a left side view thereof;  
FIG. 4 is a right side view thereof;  
FIG. 5 is a top plan view thereof;  
FIG. 6 is a bottom plan view thereof;  
FIG. 7 is a perspective view thereof; and,  
FIG. 8 is another perspective view thereof.

**1 Claim, 7 Drawing Sheets**



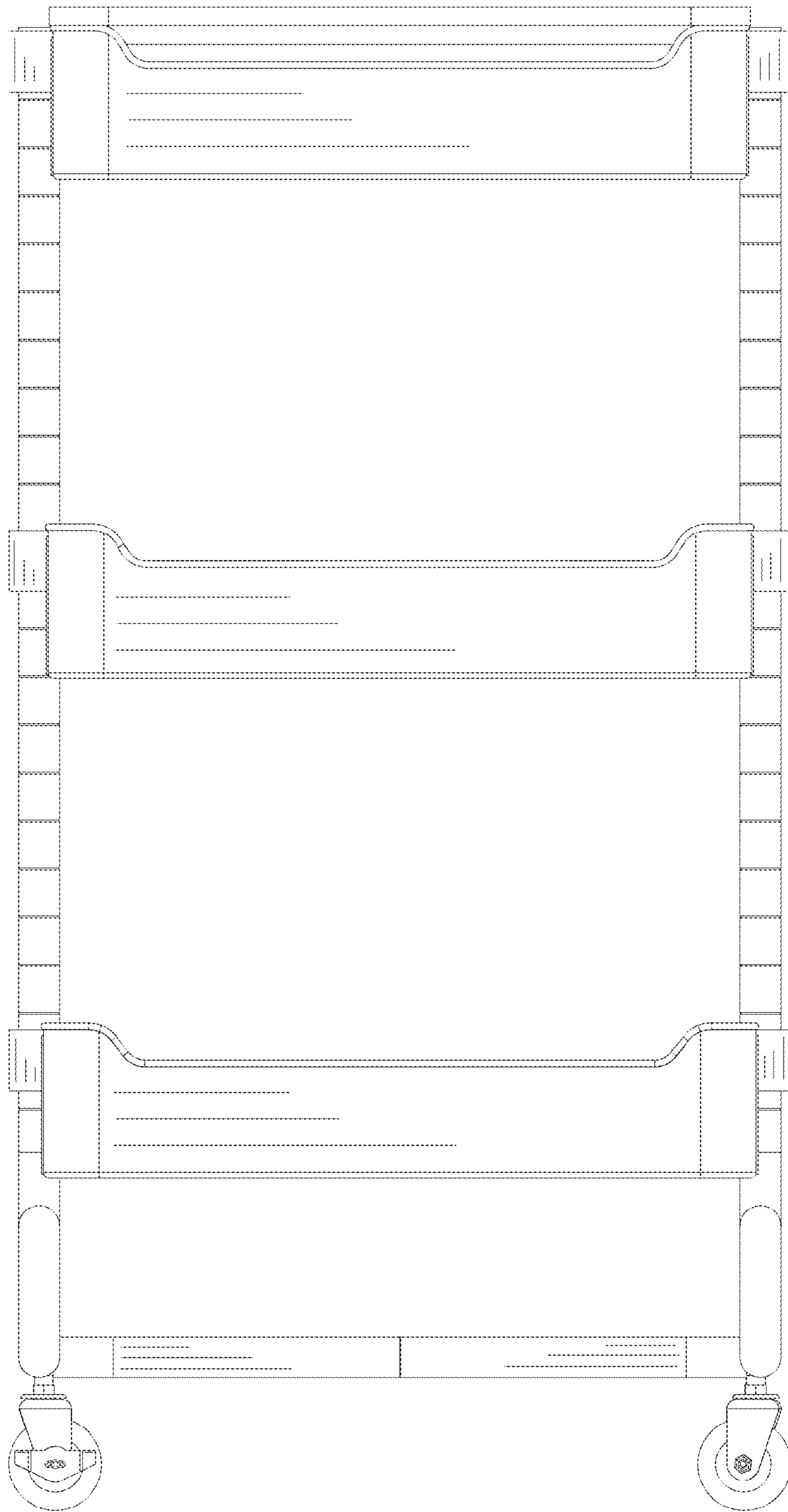


Fig. 1

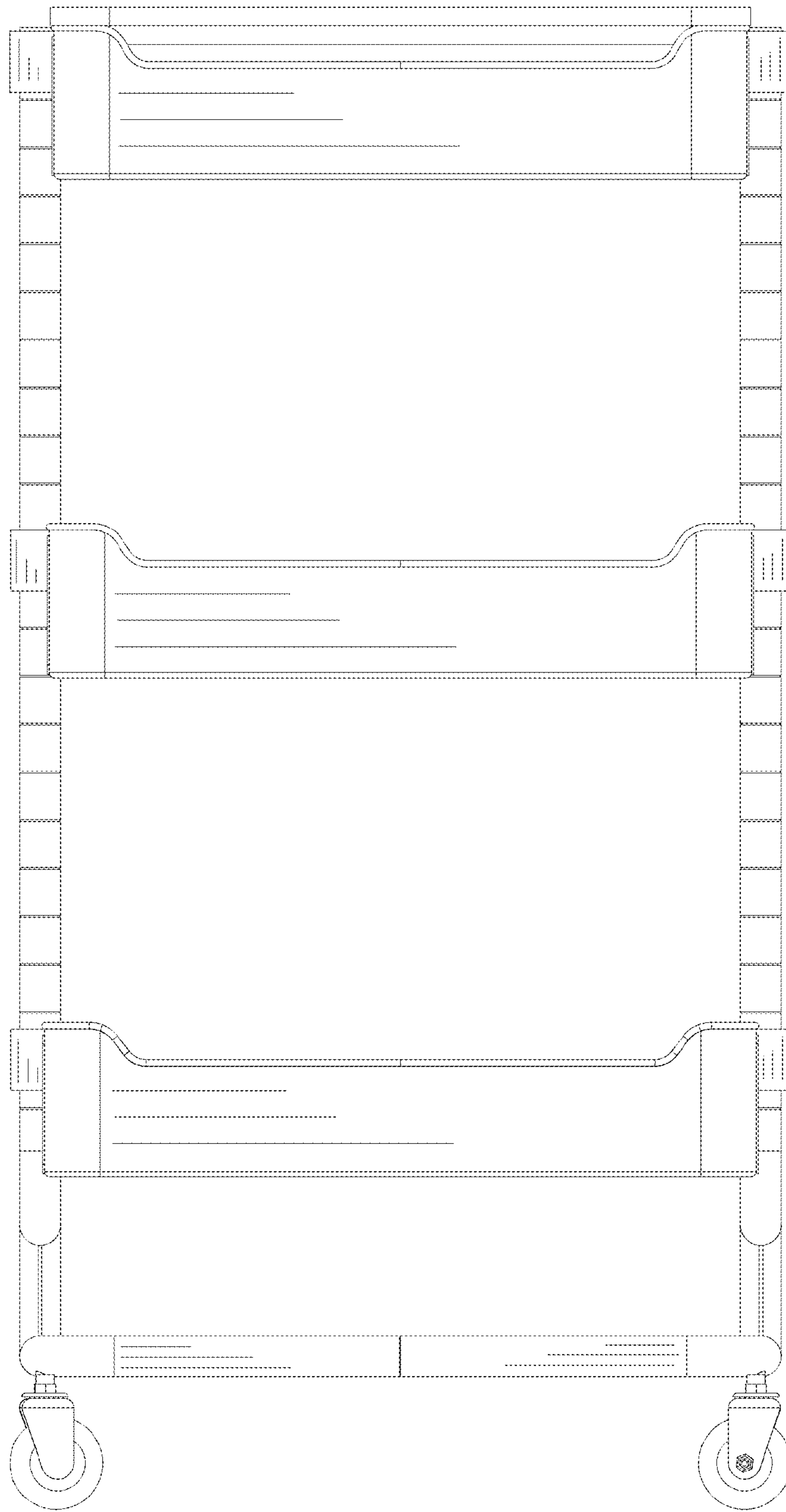


Fig. 2

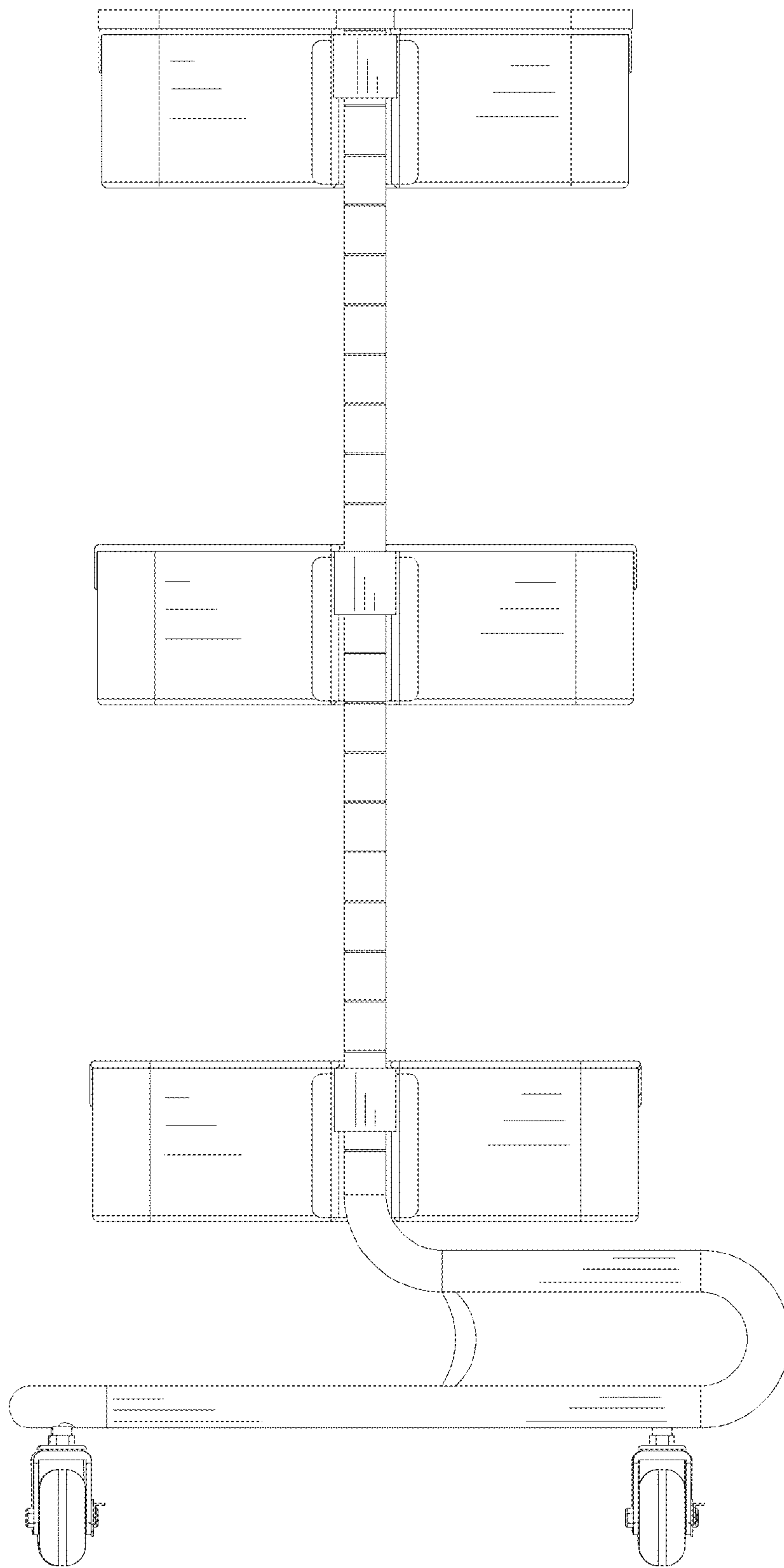


Fig. 3

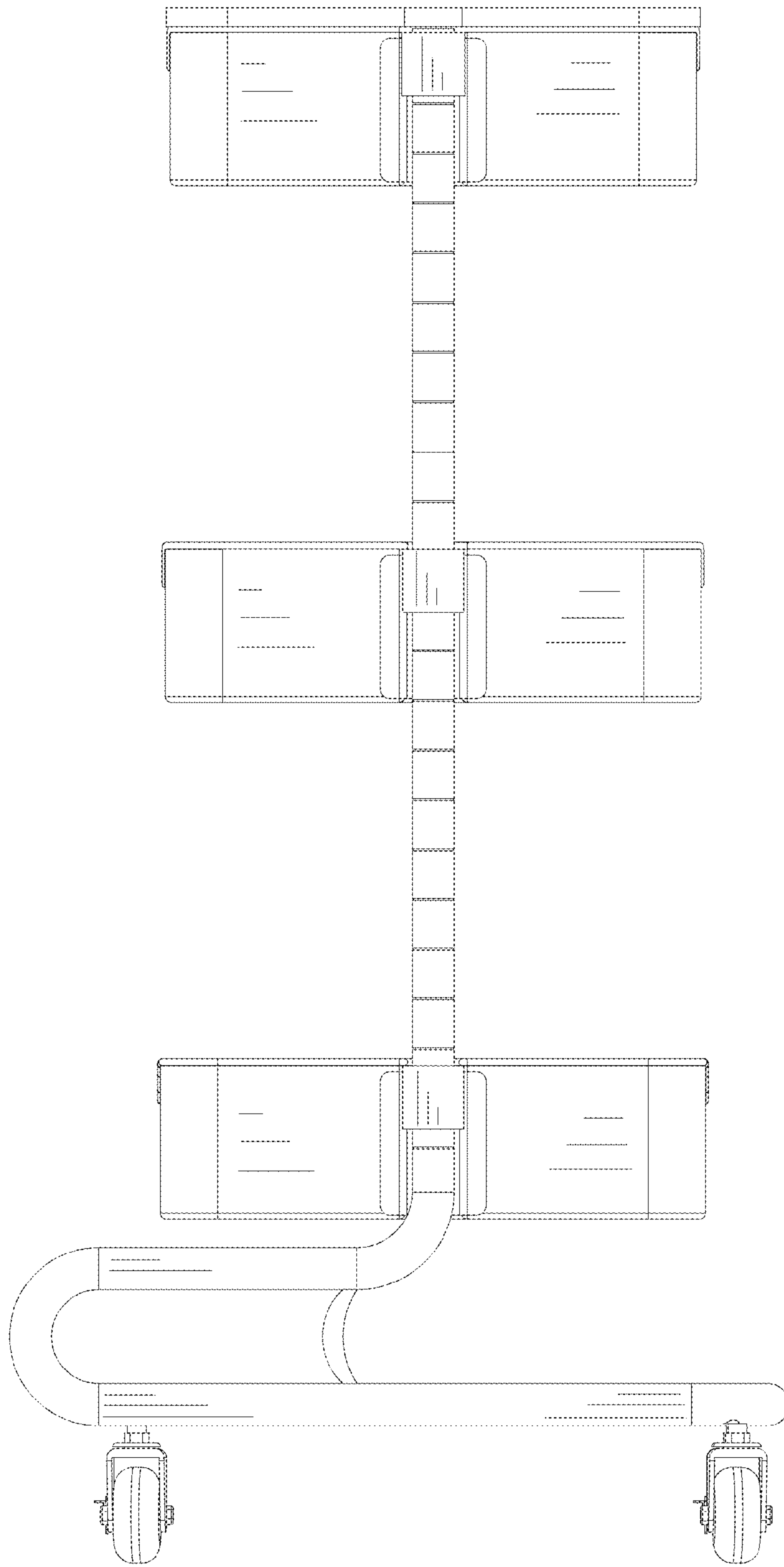


Fig. 4



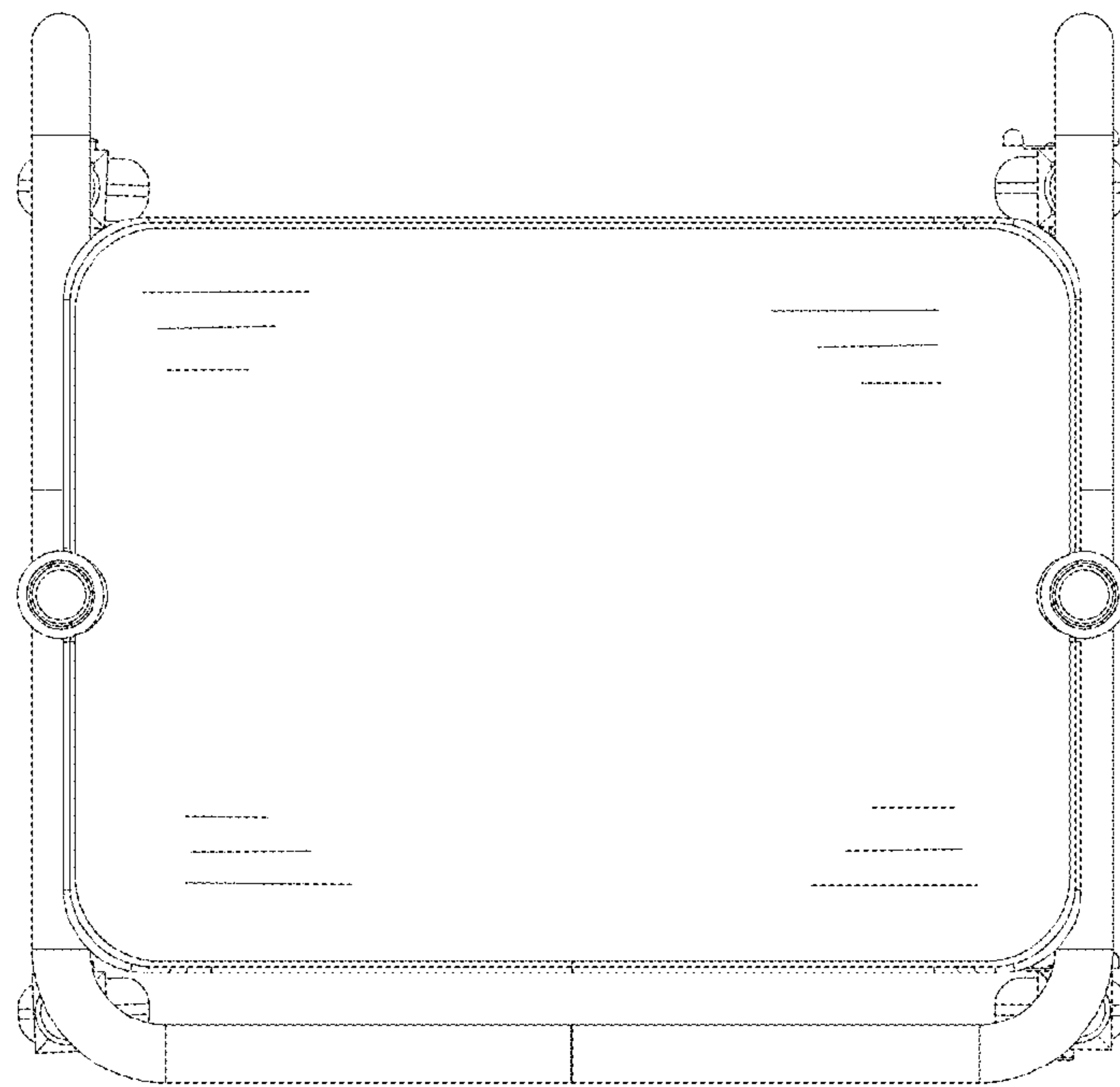


Fig. 5

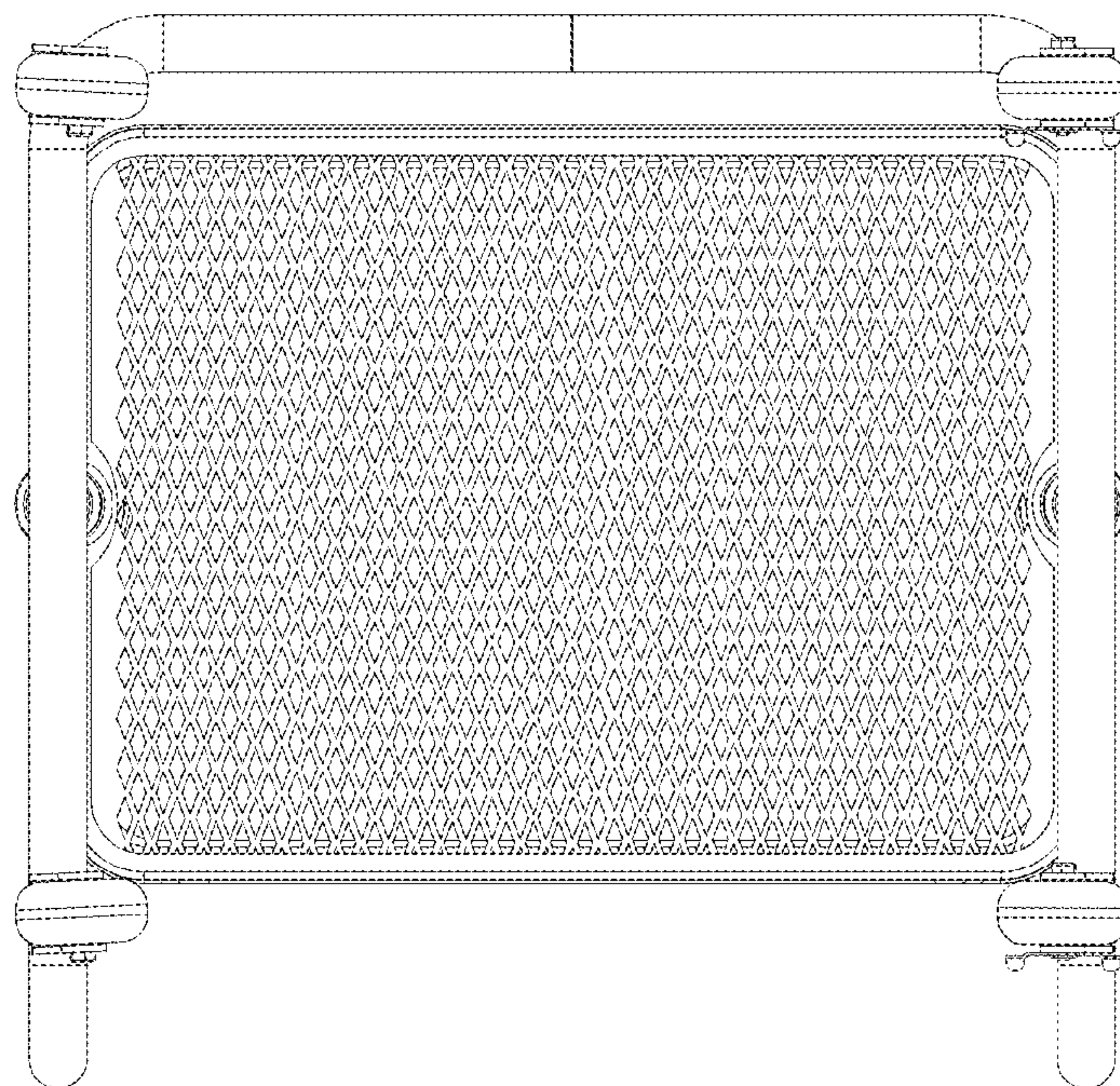


Fig. 6

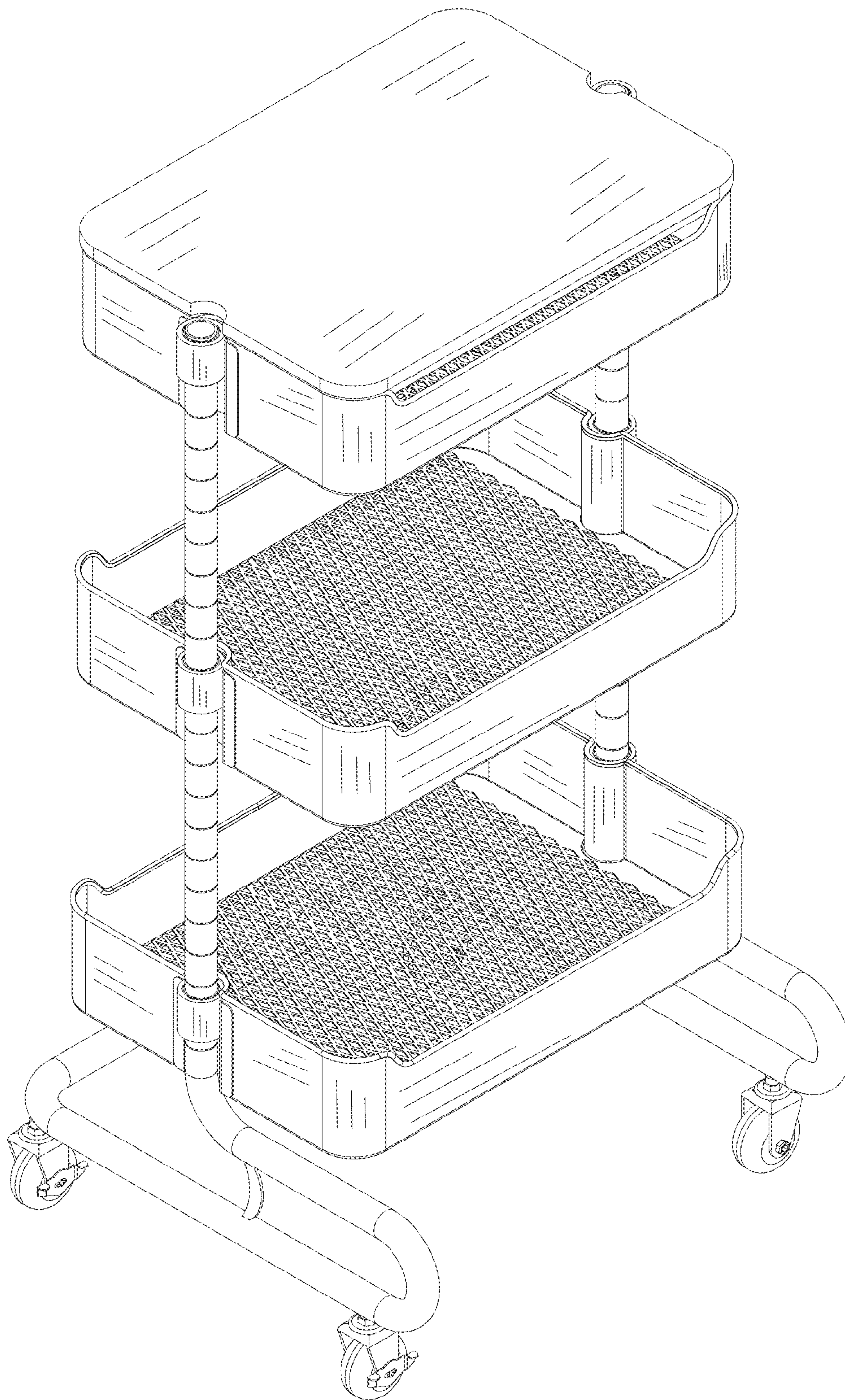


Fig. 7



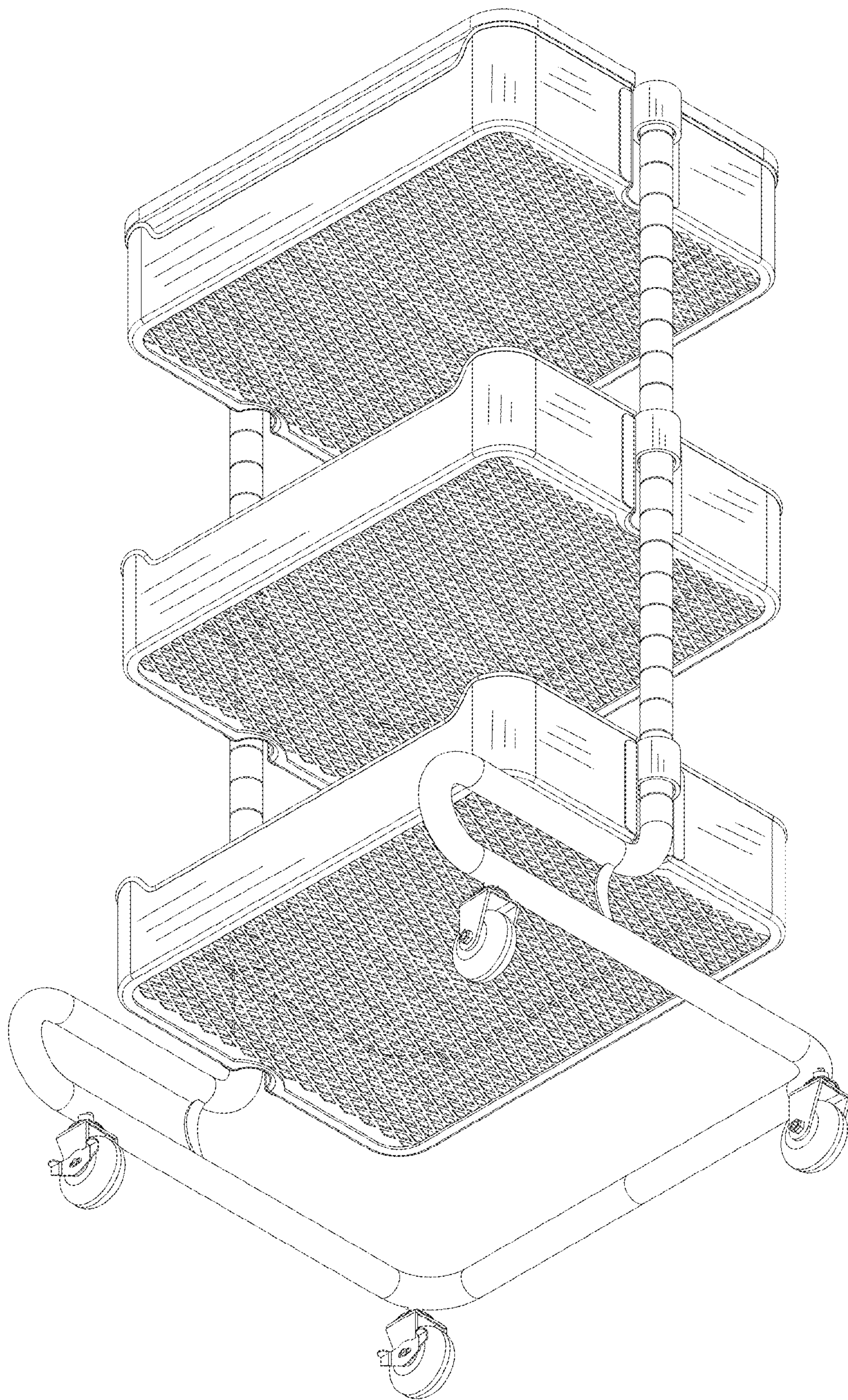


Fig. 8