



US00D920617S

(12) **United States Design Patent**
Hetherington

(10) **Patent No.:** **US D920,617 S**

(45) **Date of Patent:** **** May 25, 2021**

(54) **COMPOST BUCKET**

(71) Applicant: **Third Rock Retail Pty Ltd.**,
Paddington (AU)

(72) Inventor: **Jason Elwyn Hetherington**, Ashgrove
(AU)

(73) Assignee: **Third Rock Retail Pty. Ltd.**,
Paddington (AU)

(**) Term: **15 Years**

(21) Appl. No.: **29/684,643**

(22) Filed: **Mar. 22, 2019**

(51) **LOC (13) Cl.** **23-99**

(52) **U.S. Cl.**
USPC **D34/1**

(58) **Field of Classification Search**
USPC D34/1-11
CPC B65F 2001/1489; B65F 1/00; B65F 1/163;
B65F 1/1638; B65F 1/0033; B65F 1/16;
Y10S 220/908

See application file for complete search history.

(56) **References Cited**

U.S. PATENT DOCUMENTS

D244,393	S	*	5/1977	Collica	D99/28
D286,370	S	*	10/1986	Wirts	D3/23
D613,020	S	*	3/2010	Yang	D34/7
D817,582	S	*	5/2018	Parcells	D34/7
D821,669	S	*	6/2018	Arciniegas	D32/53
D872,407	S	*	1/2020	Ma	D34/7
2019/0300745	A1	*	10/2019	Olivier	B65F 1/1484

OTHER PUBLICATIONS

HeAndy, announced 2019 [online], [site visited Nov. 13, 2020],
Available from internet, URL: <https://www.amazon.com/HeAndy->

Compost-BIN-COUNTERTOP-Charcoal/dp/B082XHGYWX/ref=sr_1_36 (Year: 2019).*

Third Rock, announced Jun. 2019 [online], [site visited Nov. 13, 2020], Available from internet, URL: <https://www.amazon.com/dp/B07KY9G7PK> (Year: 2019).*

Spigo, announced Oct. 2019 [online], [site visited Nov. 13, 2020], Available from internet, URL: https://www.amazon.com/Spigo-Absorbing-Removable-Stainless-Turquoise/product-reviews/B07X5BXSX/ref=cm_cr_arp_d_paging_btm_next_2 (Year: 2019).*

* cited by examiner

Primary Examiner — George A Bugg

Assistant Examiner — Tamara L Hahn

(74) *Attorney, Agent, or Firm* — Eric Karich; Karich & Associates

(57) **CLAIM**

The ornamental design for a compost bucket, as shown and described.

DESCRIPTION

FIG. 1 is an exploded perspective view of a compost bucket, showing my new design;

FIG. 2 is a perspective view of the compost bucket, once it has been assembled, showing my new design;

FIG. 3 is a front elevational view of the compost bucket thereof;

FIG. 4 is a rear elevational view thereof;

FIG. 5 is a left side elevational view thereof

FIG. 6 is a right side elevational view thereof;

FIG. 7 is a top plan view thereof; and,

FIG. 8 is a bottom plan view thereof.

The broken lines showing of holes in the lid, and the bottom surface of the bucket, are for the purpose of illustrating portions of the compost bucket that form no part of the claimed design.

1 Claim, 5 Drawing Sheets

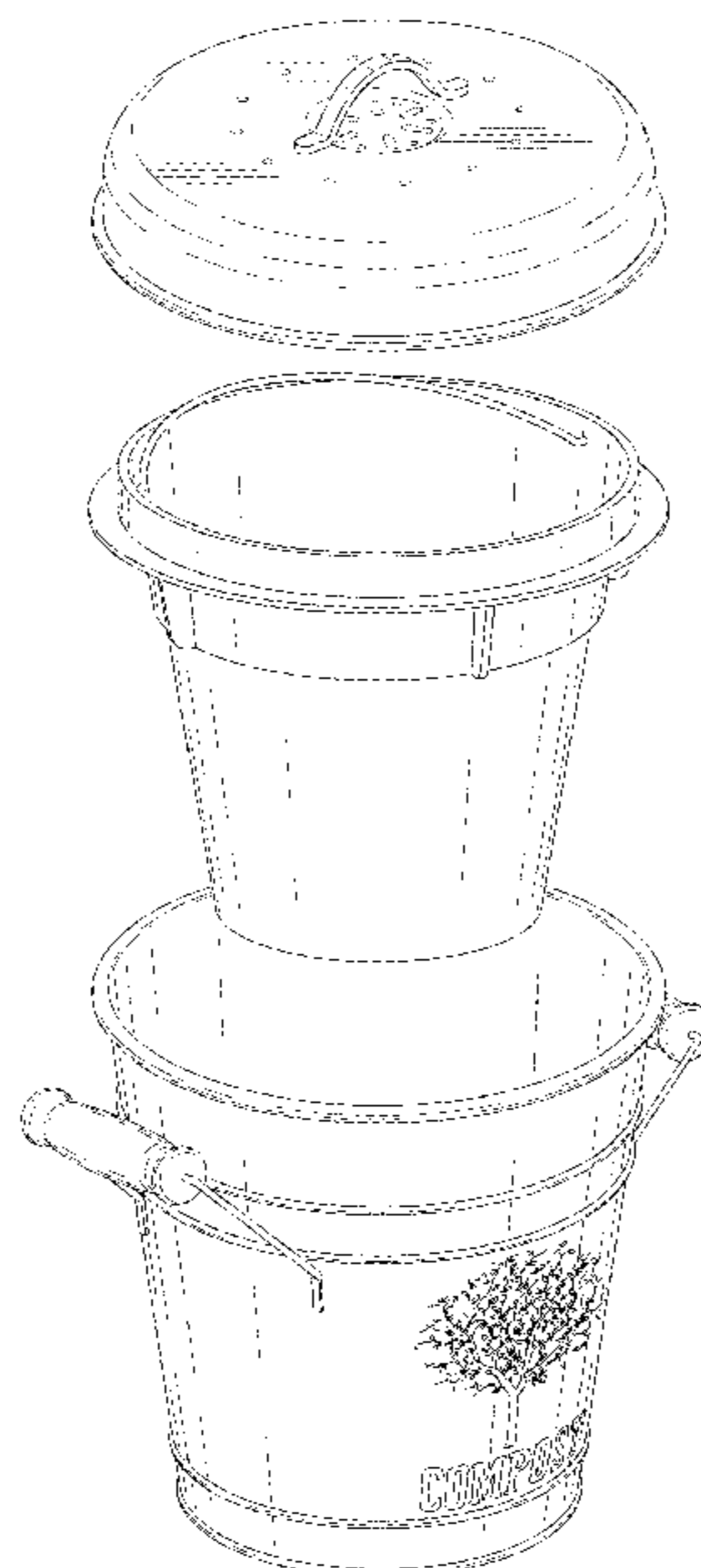
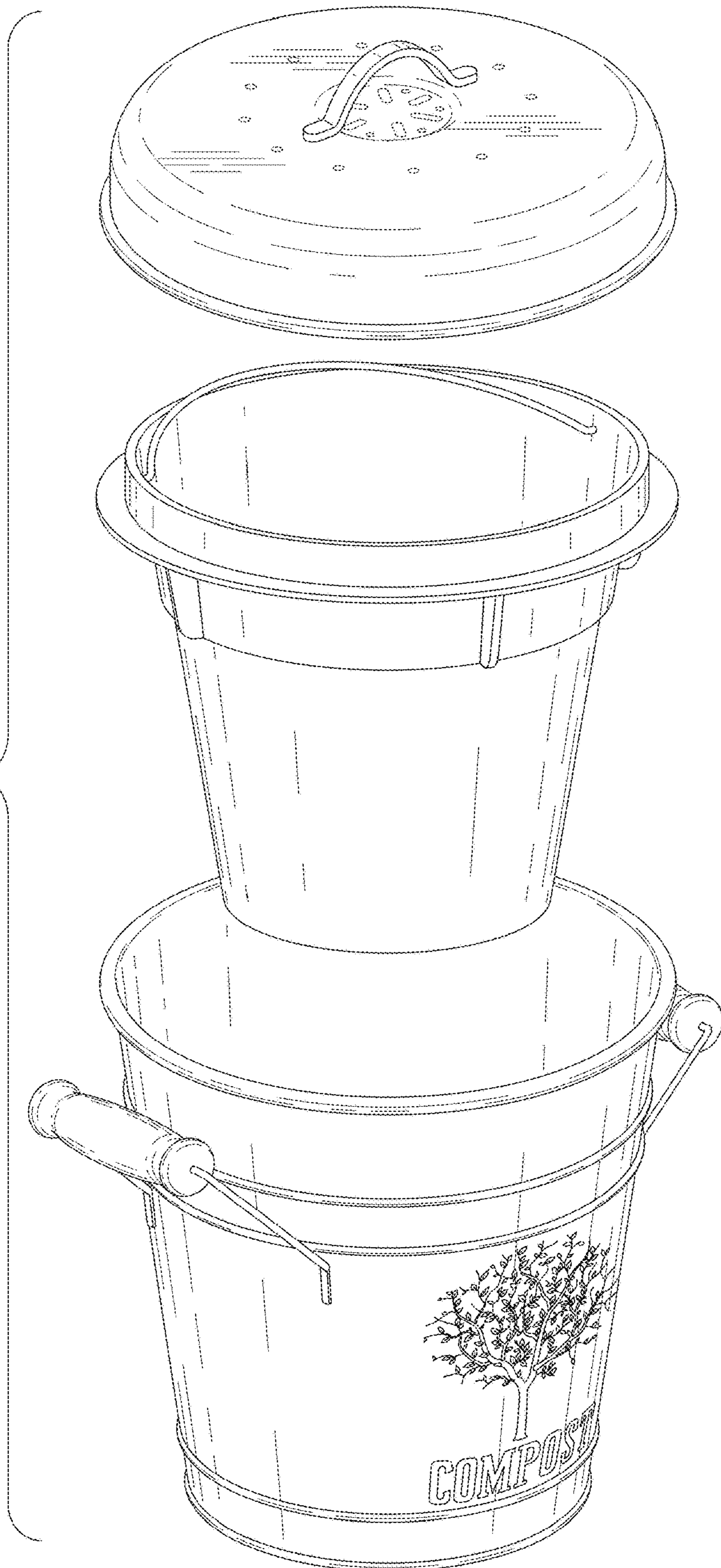


Fig. 1



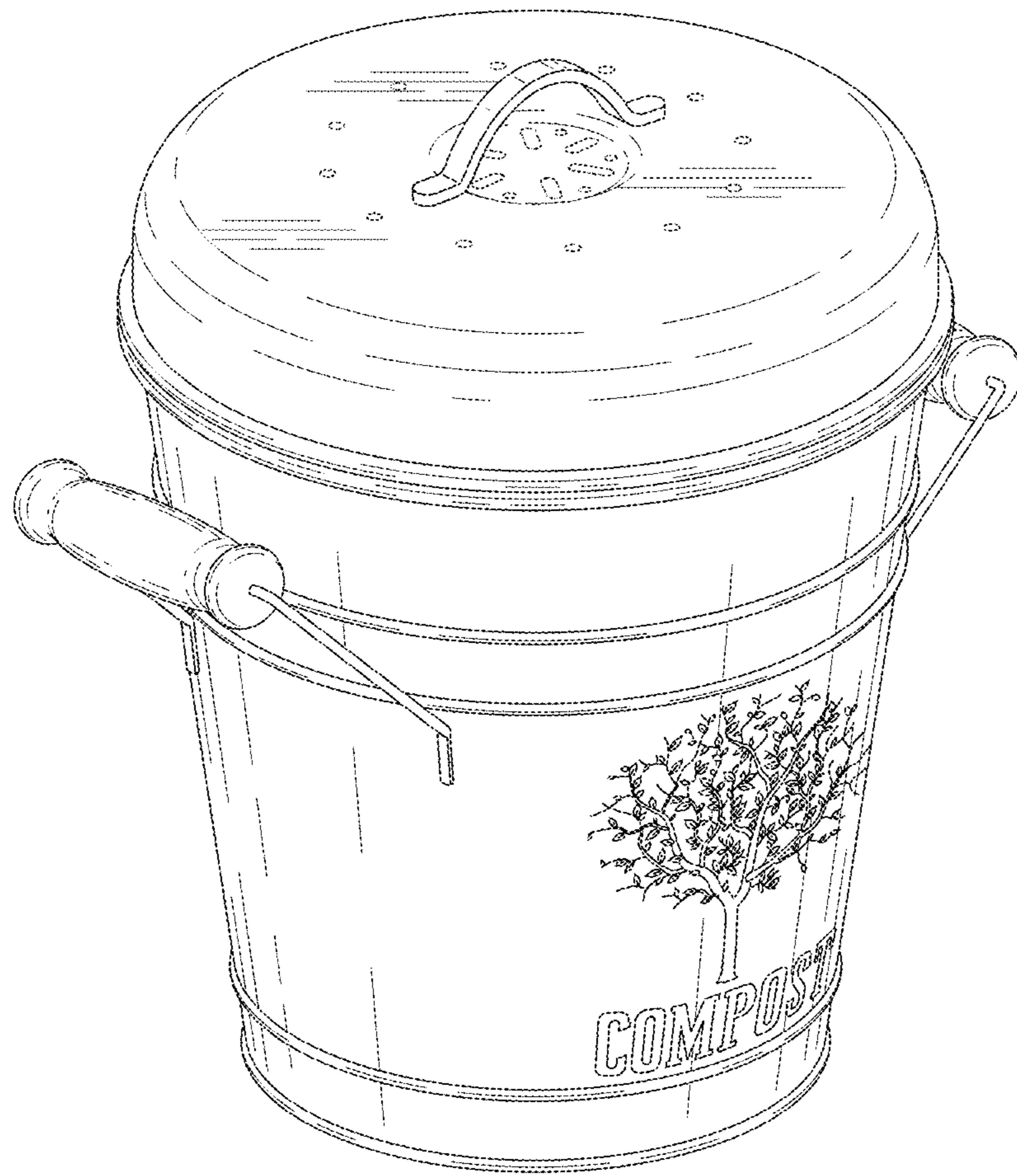


Fig. 2

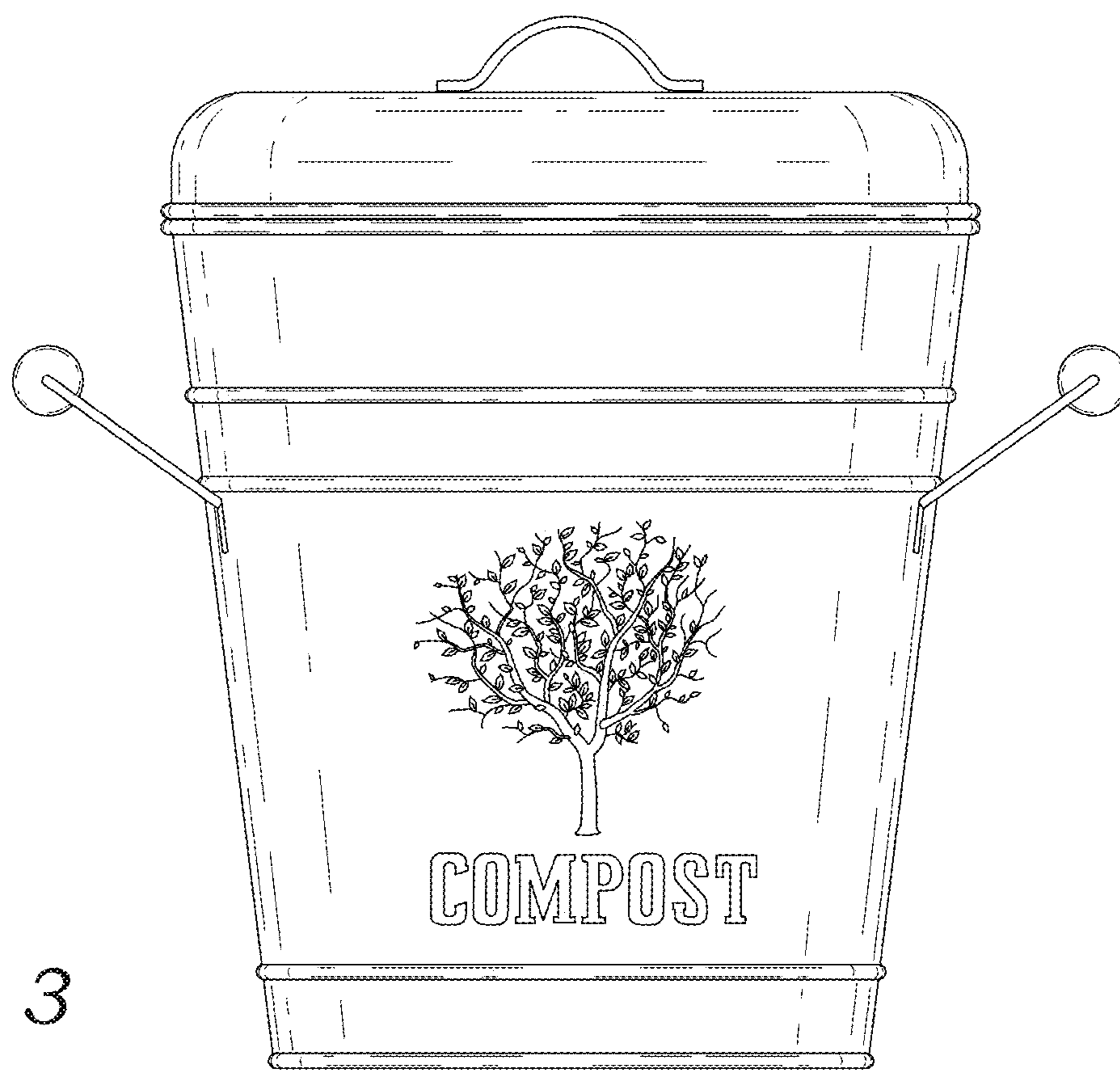


Fig. 3

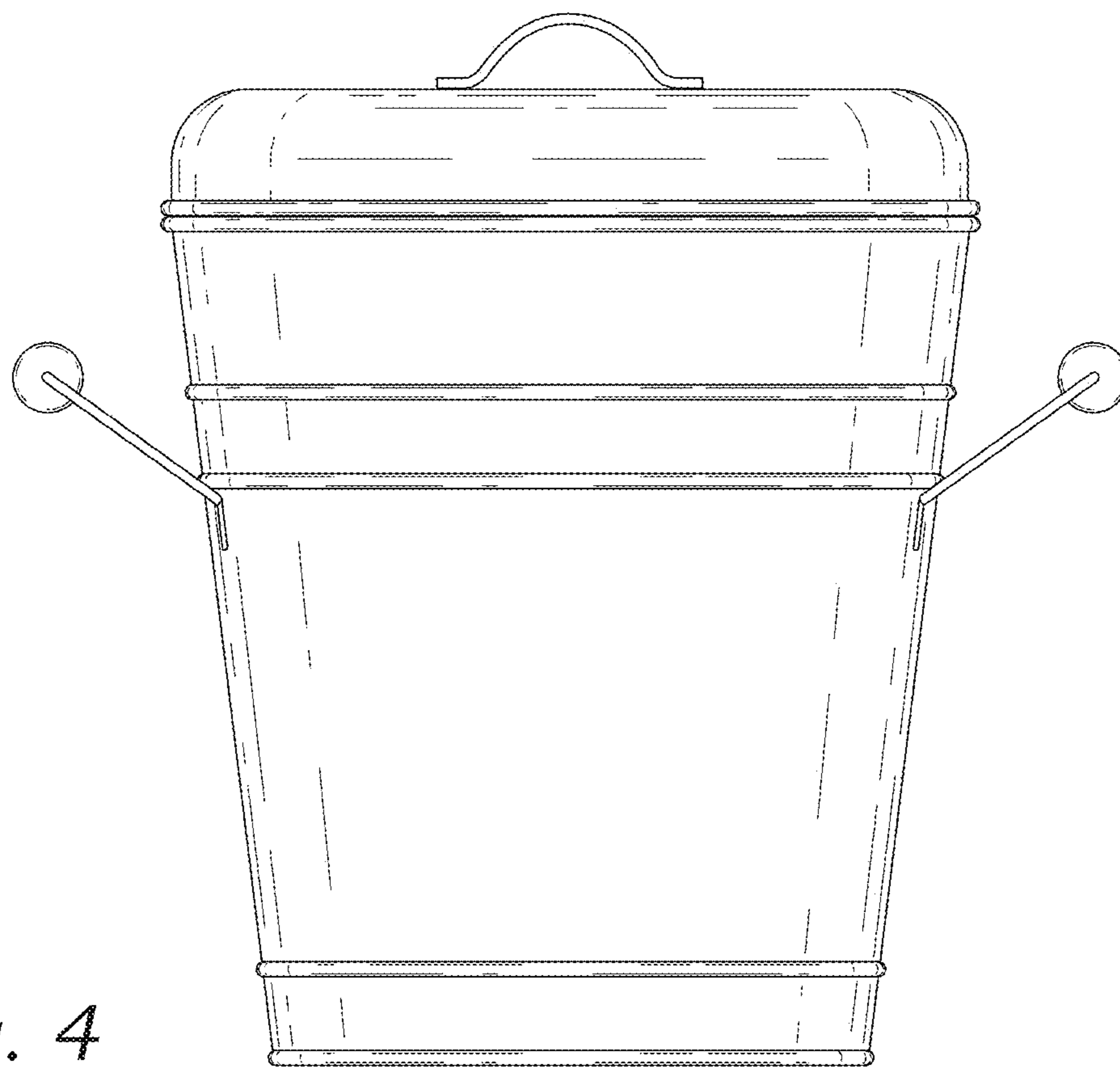


Fig. 4

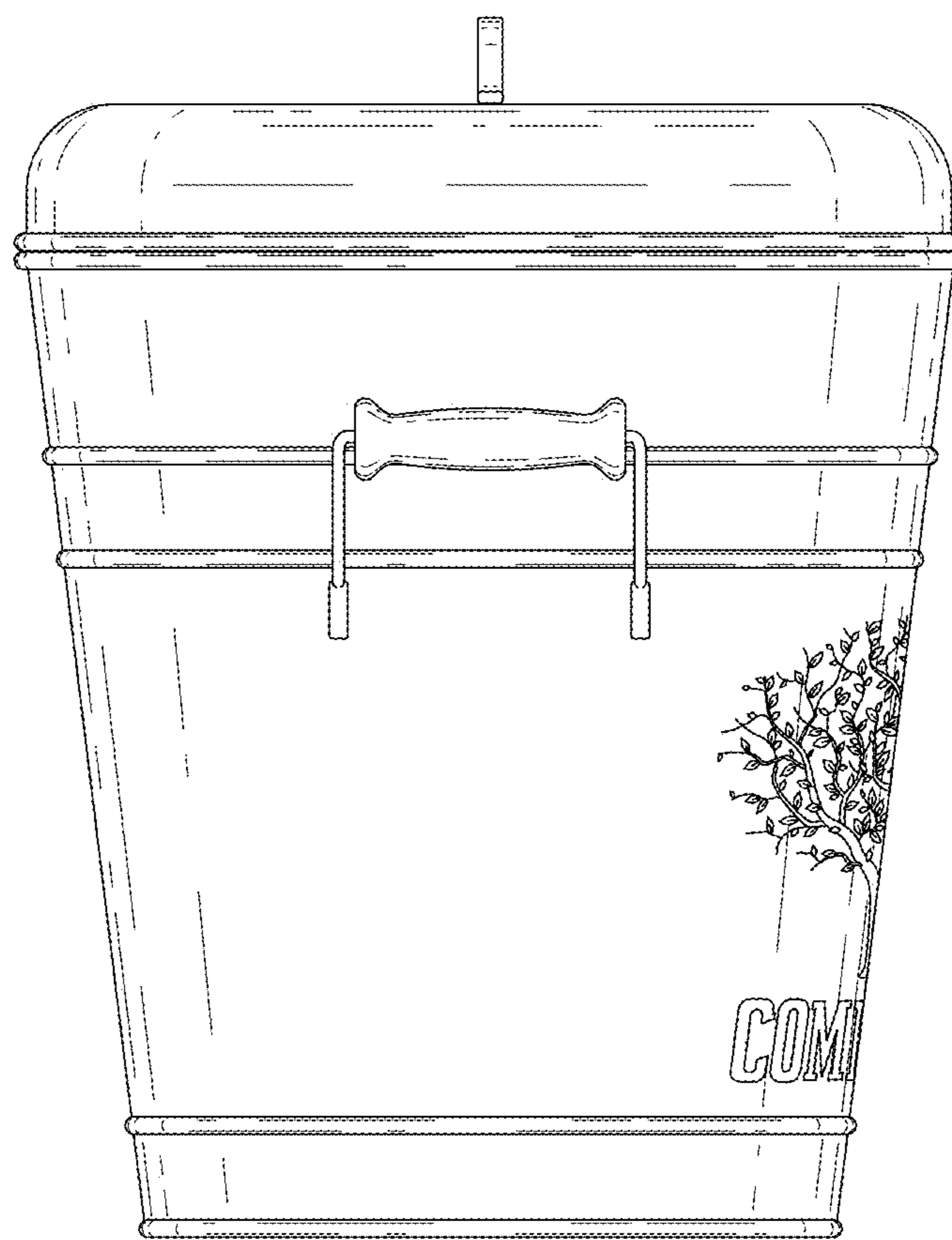


Fig. 5

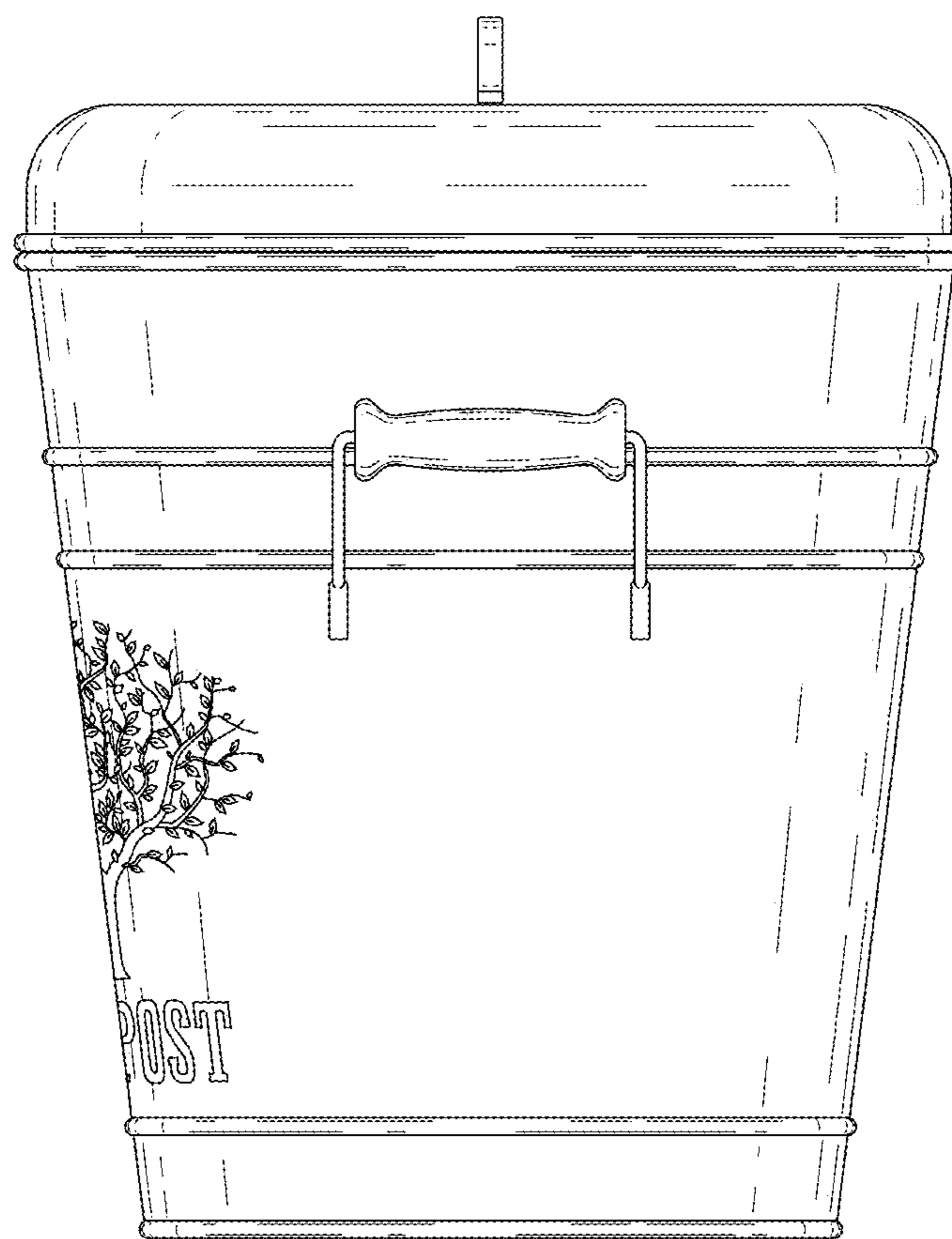


Fig. 6

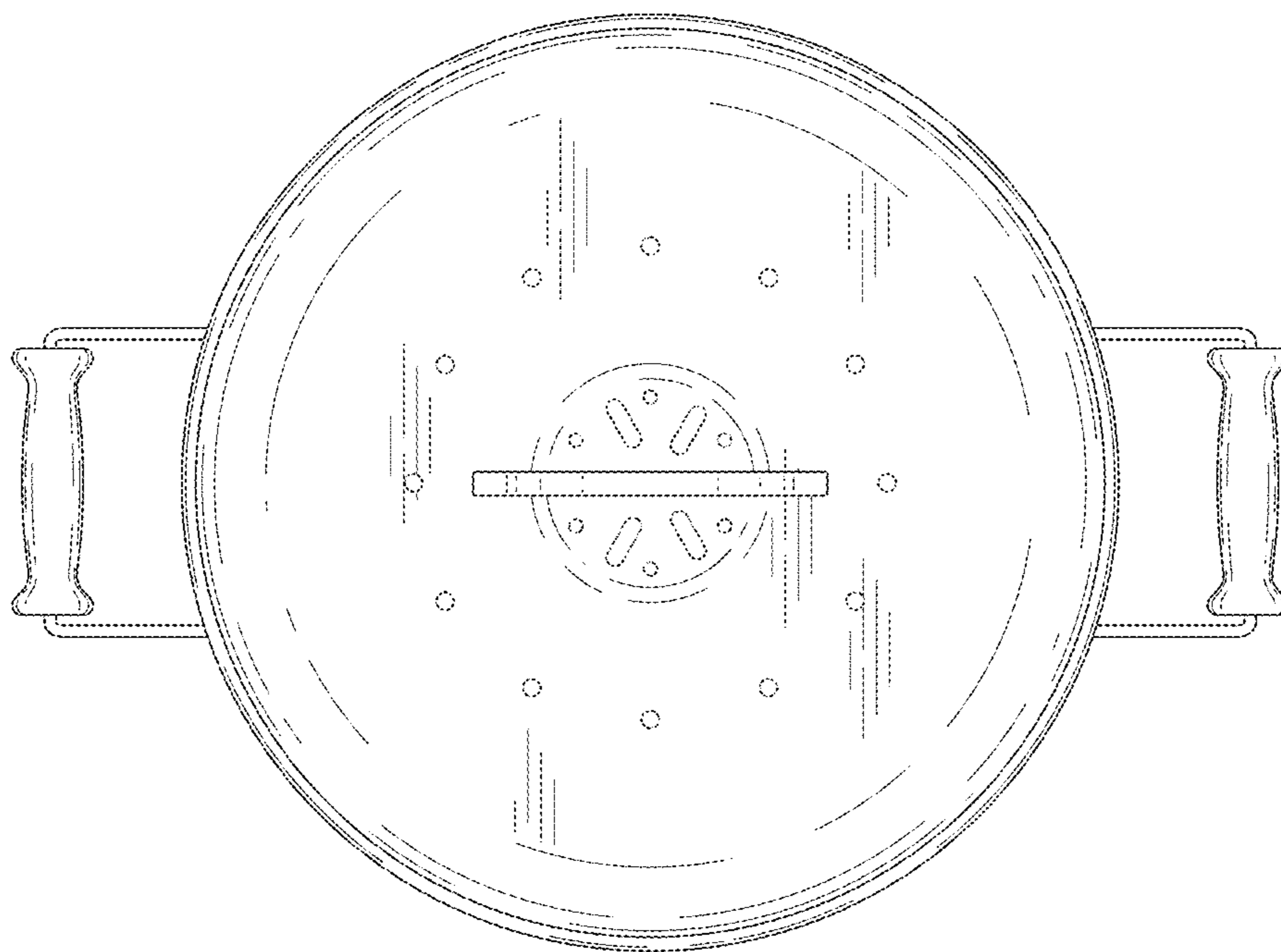


Fig. 7

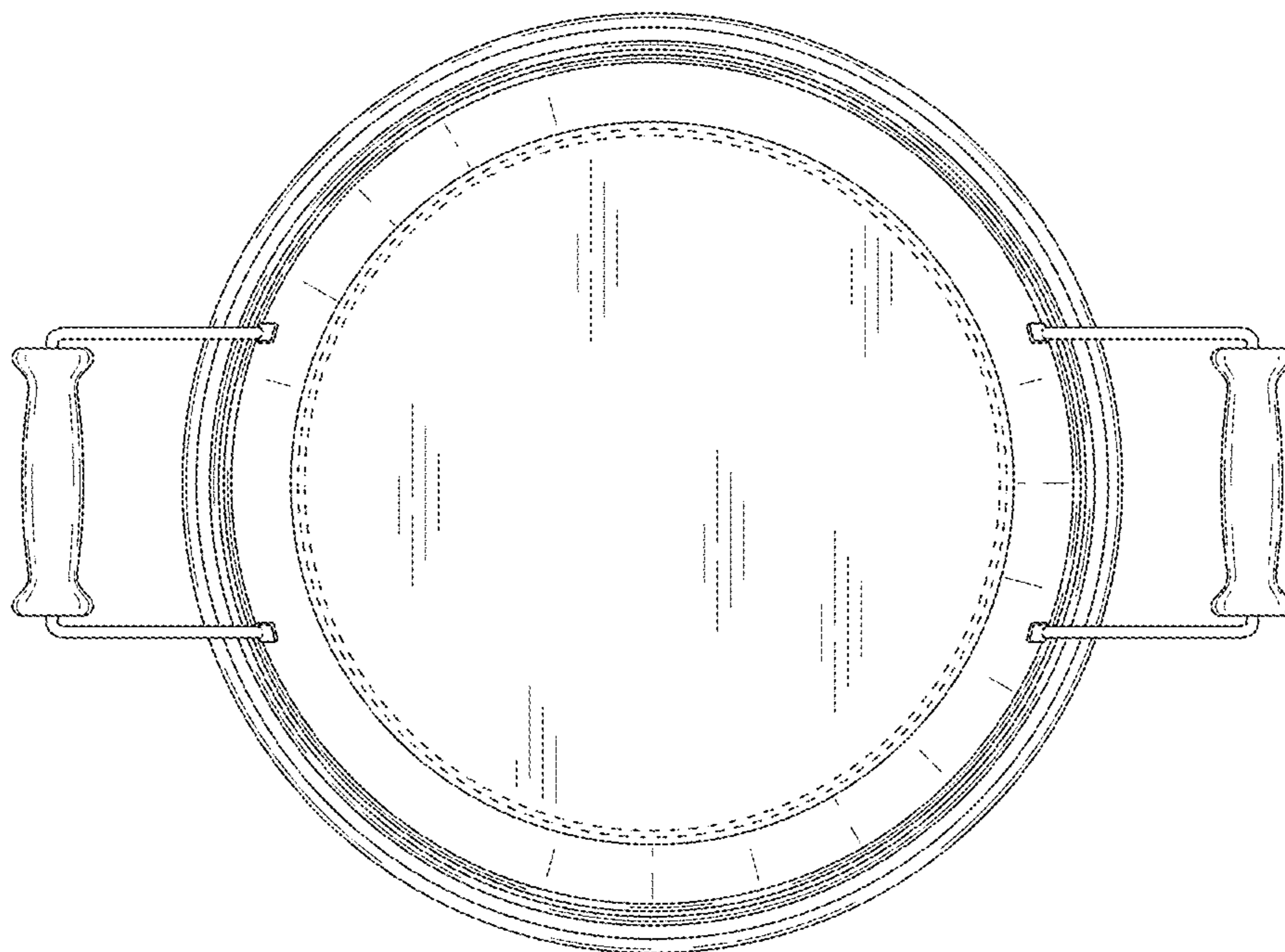


Fig. 8