



US00D920615S

(12) **United States Design Patent** (10) **Patent No.:** **US D920,615 S**
Smith (45) **Date of Patent:** **** May 25, 2021**

(54) **HANDHELD SWEEPING DEVICE**

(71) Applicant: **I and L Investments Pty Ltd**, Victoria (AU)

(72) Inventor: **Ian Smith**, Victoria (AU)

(73) Assignee: **I and L Investments Pty Ltd.**, Nunawading (AU)

(**) Term: **15 Years**

(21) Appl. No.: **29/625,466**

(22) Filed: **Nov. 9, 2017**

(30) **Foreign Application Priority Data**

May 9, 2017 (AU) 201712763

(51) **LOC (13) Cl.** **07-05**

(52) **U.S. Cl.**
USPC **D32/74**

(58) **Field of Classification Search**
USPC D32/40-43, 45-46, 50-52, 74; D4/118;
D24/217, 231; D8/11, 9; D20/17, 22,
D20/28, 41, 99
CPC . B08B 1/00; A61B 90/70; A47L 13/17; A47L
13/16
See application file for complete search history.

(56) **References Cited**

U.S. PATENT DOCUMENTS

452,358 A * 5/1891 Bishop A47L 13/52
15/257.2
1,982,849 A * 12/1934 Badger A47L 13/52
15/257.8
D286,697 S * 11/1986 Marttinen D32/50

(Continued)

FOREIGN PATENT DOCUMENTS

JP D1269759 * 3/2006

OTHER PUBLICATIONS

Backcountry Access A2 Extendable Shovel with Saw | Backcountry.com, reviews 2016, <https://www.backcountry.com/backcountry-access-arsenal-shovel-ext-with-a2-blade-and-28...> site visited Feb. 6, 2019.*

(Continued)

Primary Examiner — John R Yeh

(74) *Attorney, Agent, or Firm* — Klarquist Sparkman, LLP

(57) **CLAIM**

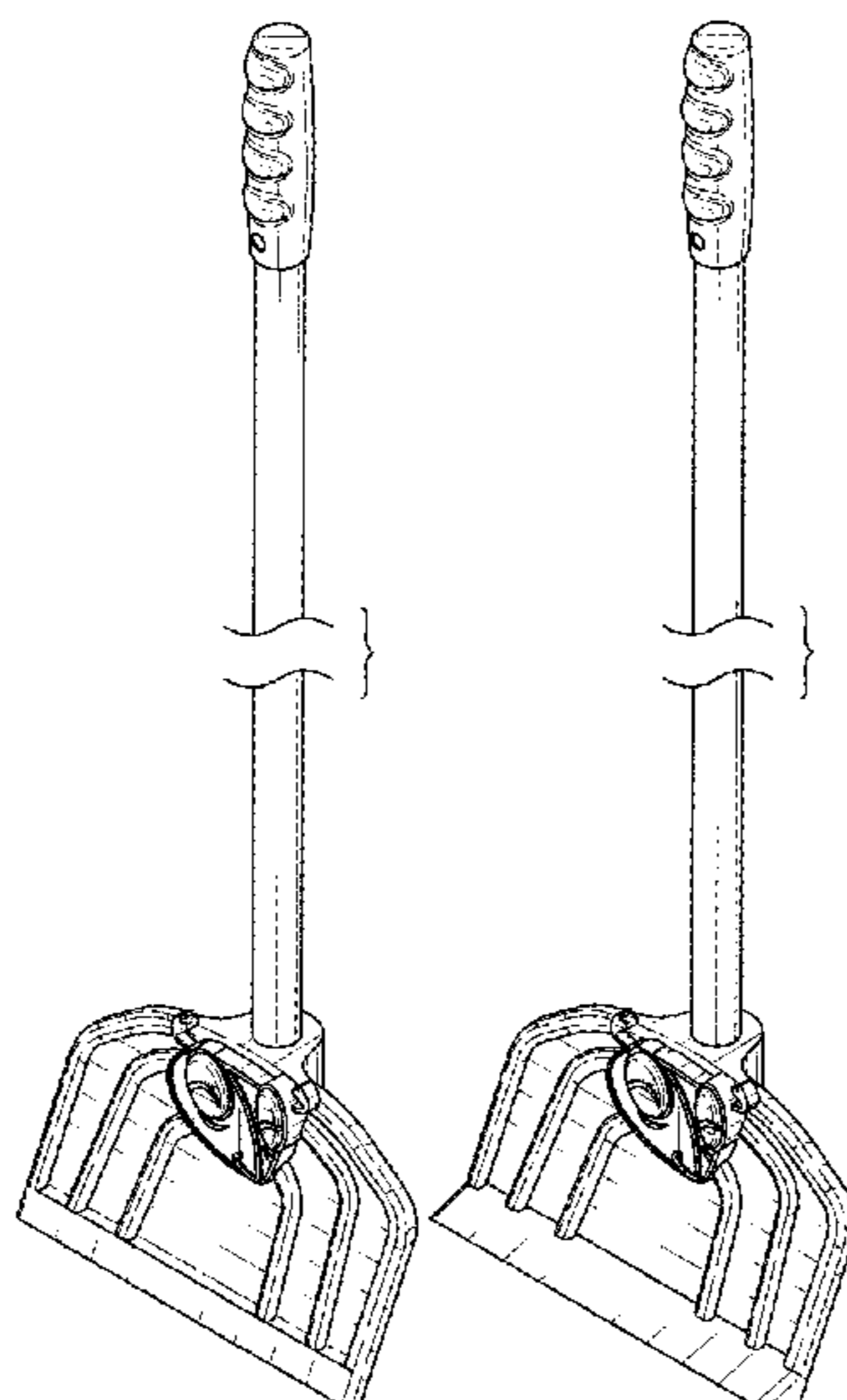
I claim the ornamental design for a handheld sweeping device, as shown and described.

DESCRIPTION

FIG. 1 is a rear, upper perspective view of a first embodiment of a design for a handheld sweeping device; FIG. 2 is a front, upper perspective view thereof; FIG. 3 is a front, lower perspective view thereof; FIG. 4 is a rear, lower perspective view thereof; FIG. 5 is a rear elevation view thereof; FIG. 6 is a side elevation view thereof; FIG. 7 is a front elevation view thereof; FIG. 8 is a top view thereof; FIG. 9 is a bottom view thereof; FIG. 10 is a rear, upper perspective view of a second embodiment of a design for a handheld sweeping device; FIG. 11 is a front, upper perspective view thereof; FIG. 12 is a front, lower perspective view thereof; FIG. 13 is a rear, lower perspective view thereof; FIG. 14 is a rear elevation view thereof; FIG. 15 is a side elevation view thereof; FIG. 16 is a front elevation view thereof; FIG. 17 is a top view thereof; and, FIG. 18 is a bottom view thereof.

The broken away symbols in the drawings indicate that any portion of the article beyond what is shown forms no part of the claimed design.

1 Claim, 16 Drawing Sheets



(56)

References Cited

U.S. PATENT DOCUMENTS

5,379,481 A * 1/1995 DeMars A47L 13/52
 15/257.2
 5,674,141 A * 10/1997 Laforest A63B 59/70
 473/559
 D389,629 S * 1/1998 France D32/74
 D393,121 S * 3/1998 Doin D32/74
 5,799,360 A * 9/1998 Vosbikian A47L 13/52
 15/159.1
 6,732,402 B1 * 5/2004 Hsu A47L 13/52
 15/257.6
 D545,022 S * 6/2007 Morad D32/74
 D677,849 S * 3/2013 Petersen D32/74
 D687,204 S * 7/2013 Vasilakes D32/74
 D734,911 S * 7/2015 Williams D32/74
 D795,520 S * 8/2017 La Selva D32/74
 10,034,593 B2 * 7/2018 Stewart A46B 5/0095
 2018/0317735 A1 * 11/2018 Dobson, III A47L 13/52

OTHER PUBLICATIONS

Black Lobby Dust Pan and Bristled 7½ Angled Broom, website
 2019, <https://www.webstaurantstore.com/...>
 iBRafEiwAEb9oXcrgh19x3e_-BmY3Xt-1pIN-
 IRs5NsA870OTooJPxzm-Brz12qk25hoCnYYQAvD_BwE site vis-
 ited Feb. 6, 2019.*
 Brooms | Black+Decker Hand Corn Brooms & Angle Brooms,
 website 2019, <https://www.blackanddecker.com/products/home-cleaning/non-powered-cleaning/brooms-cleaning/params/1/12/newest/-/-/-/-/-/-> site visited Feb. 9, 2019.*

* cited by examiner

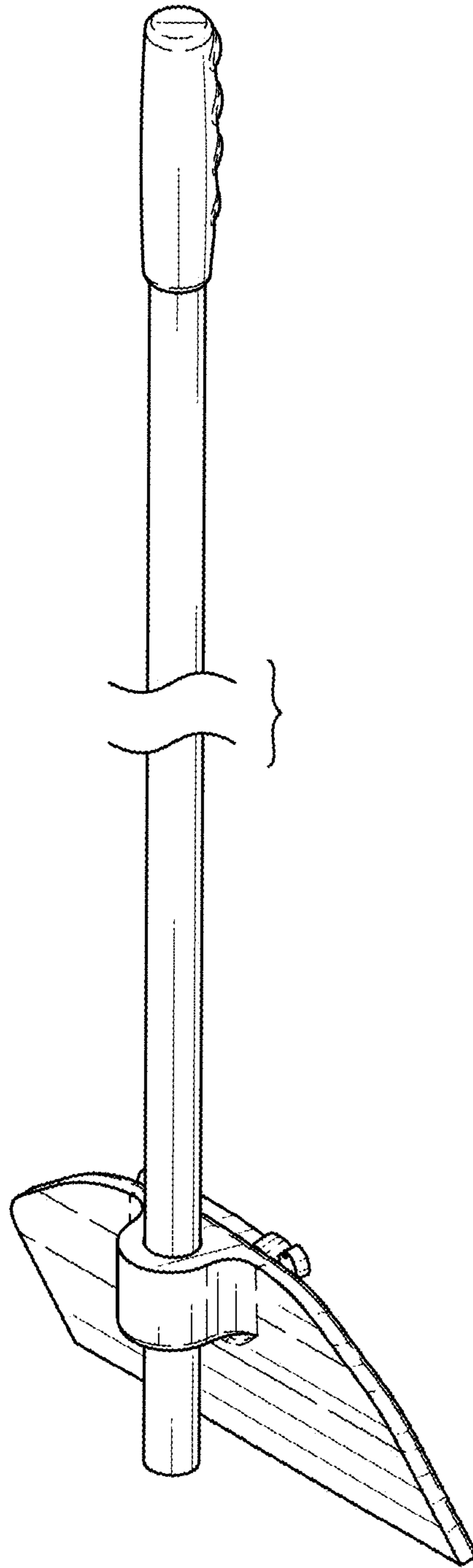


FIG. 1

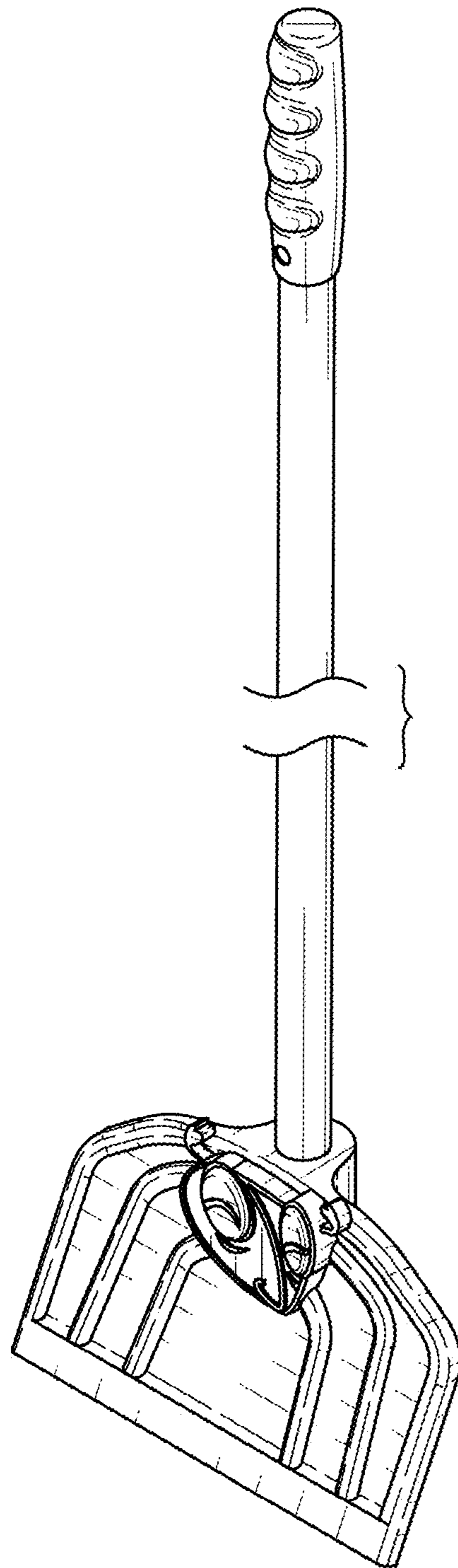


FIG. 2

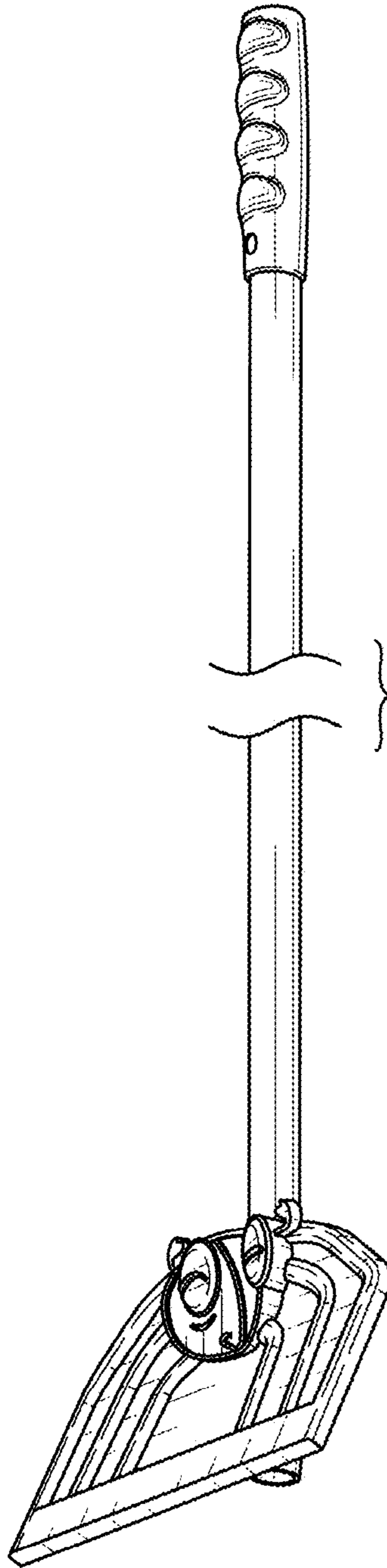


FIG. 3

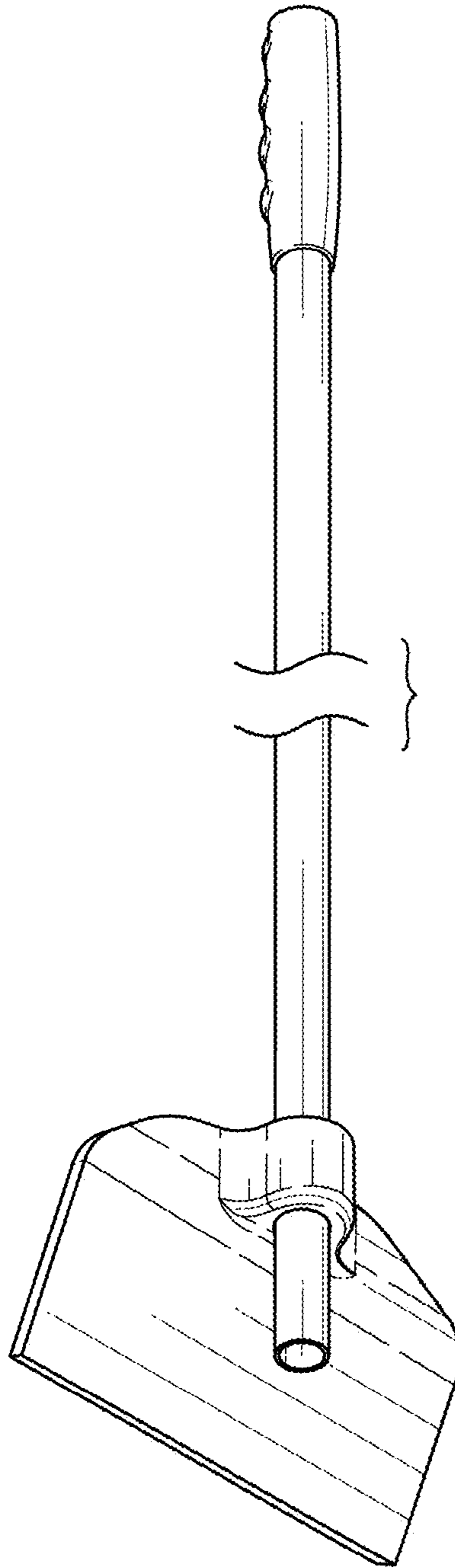


FIG. 4

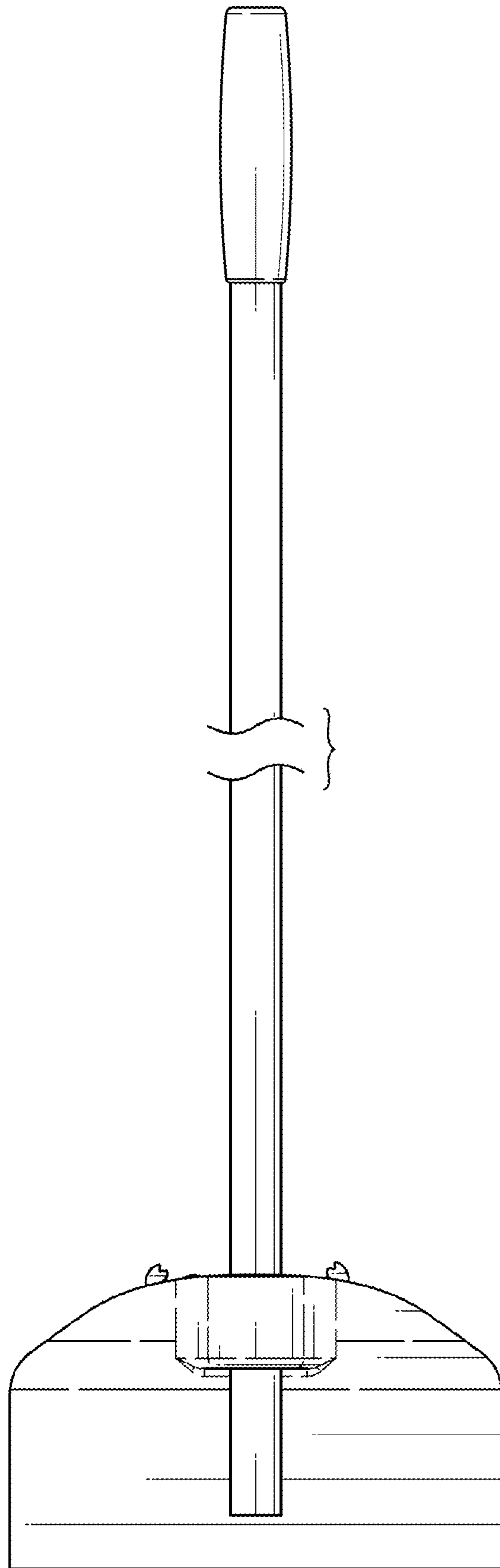


FIG. 5

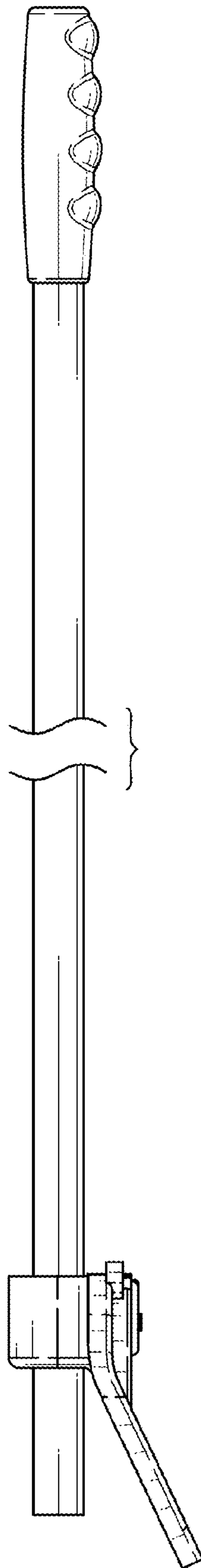


FIG. 6

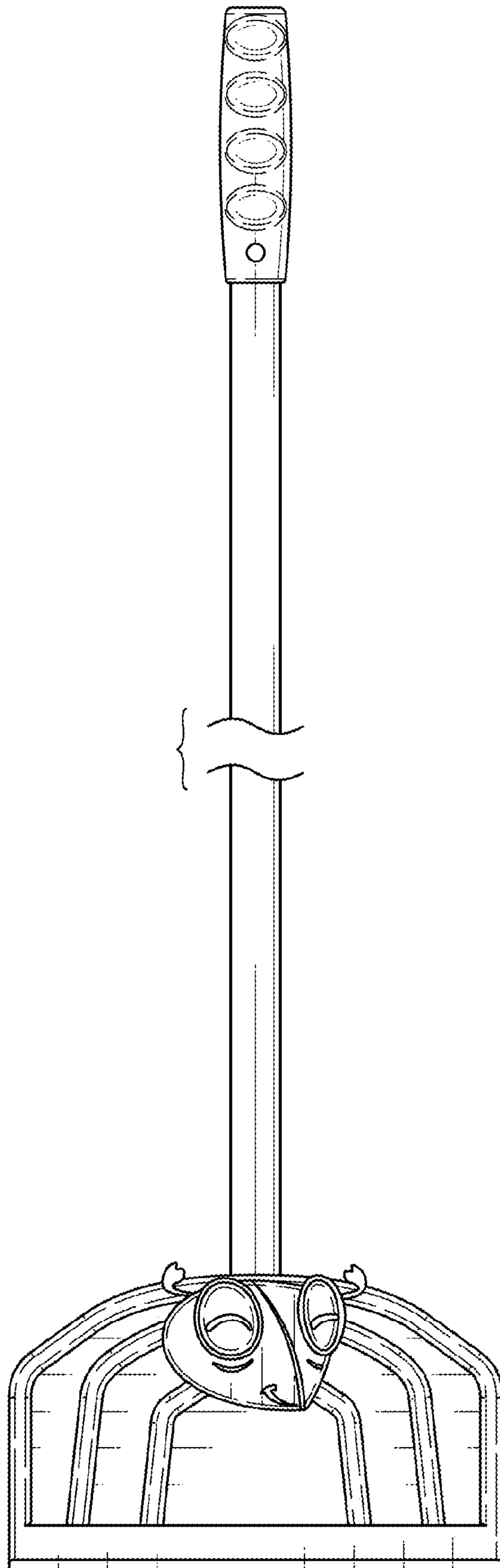


FIG. 7

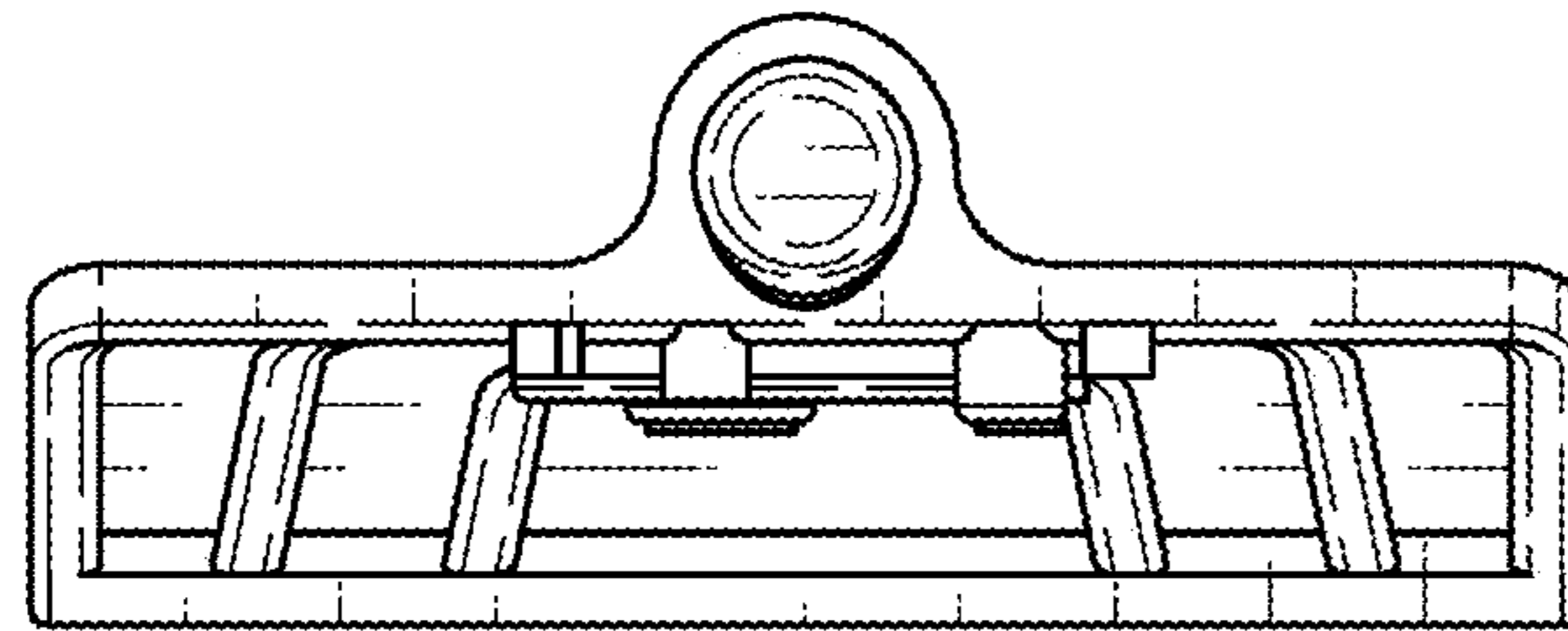


FIG. 8

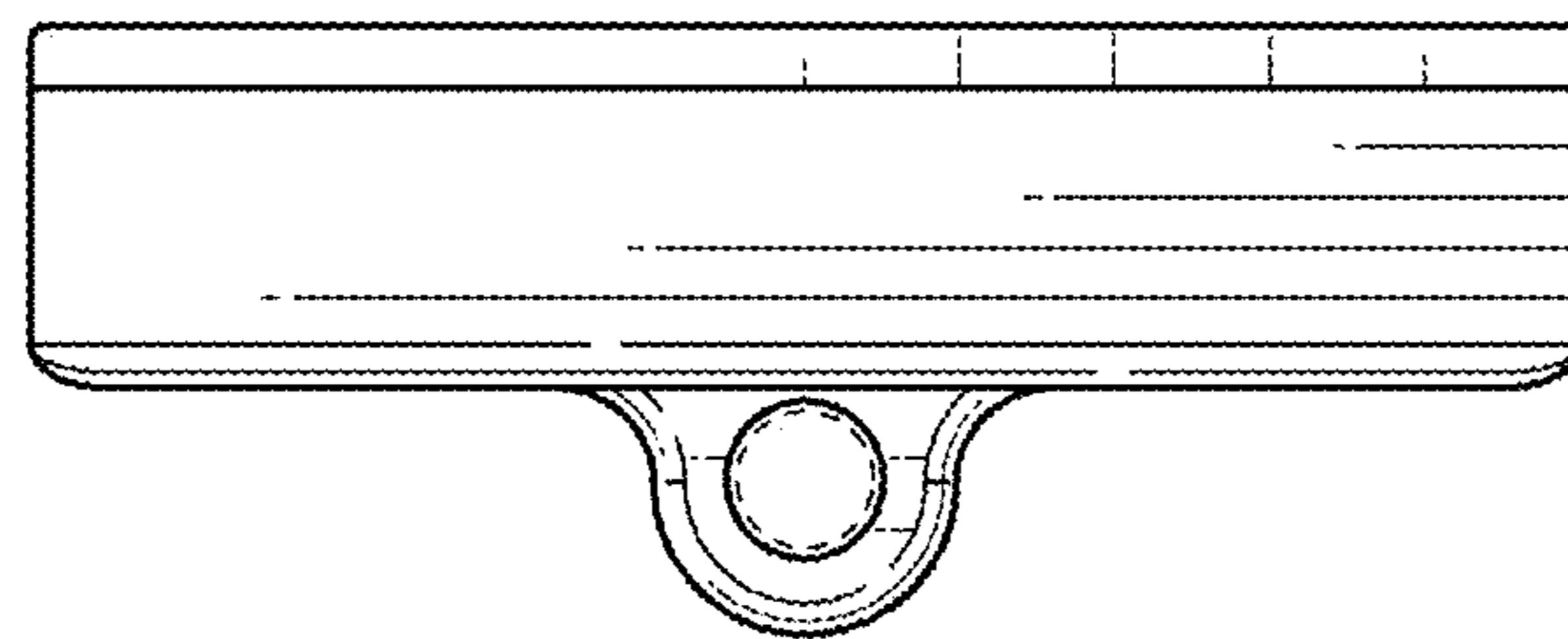


FIG. 9

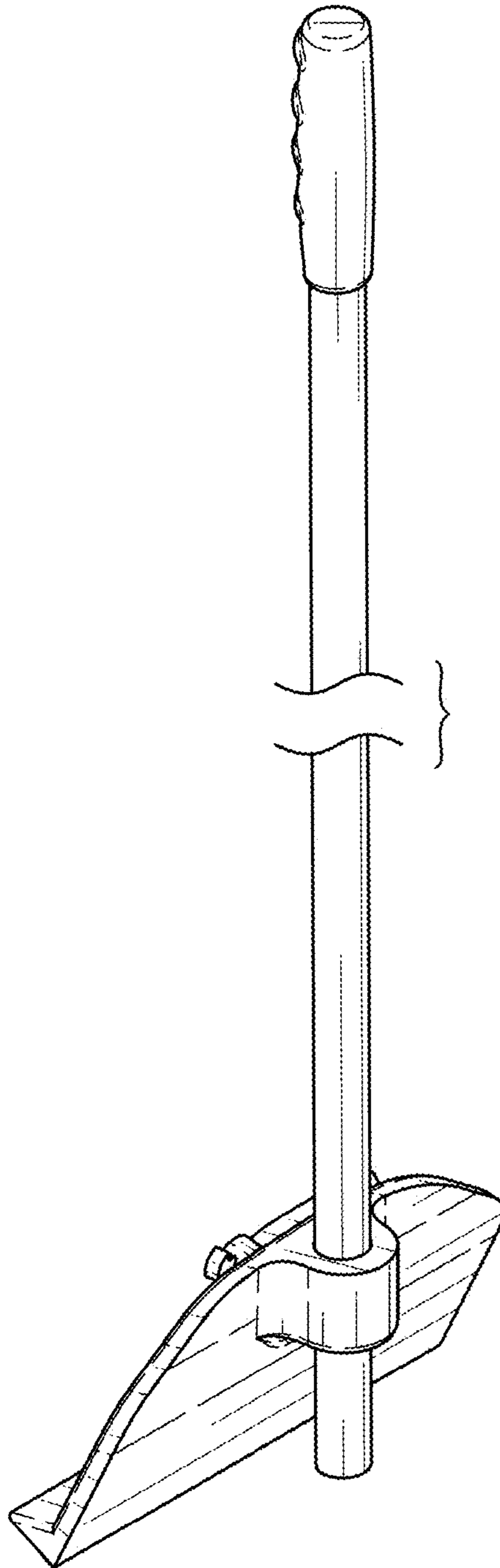


FIG. 10

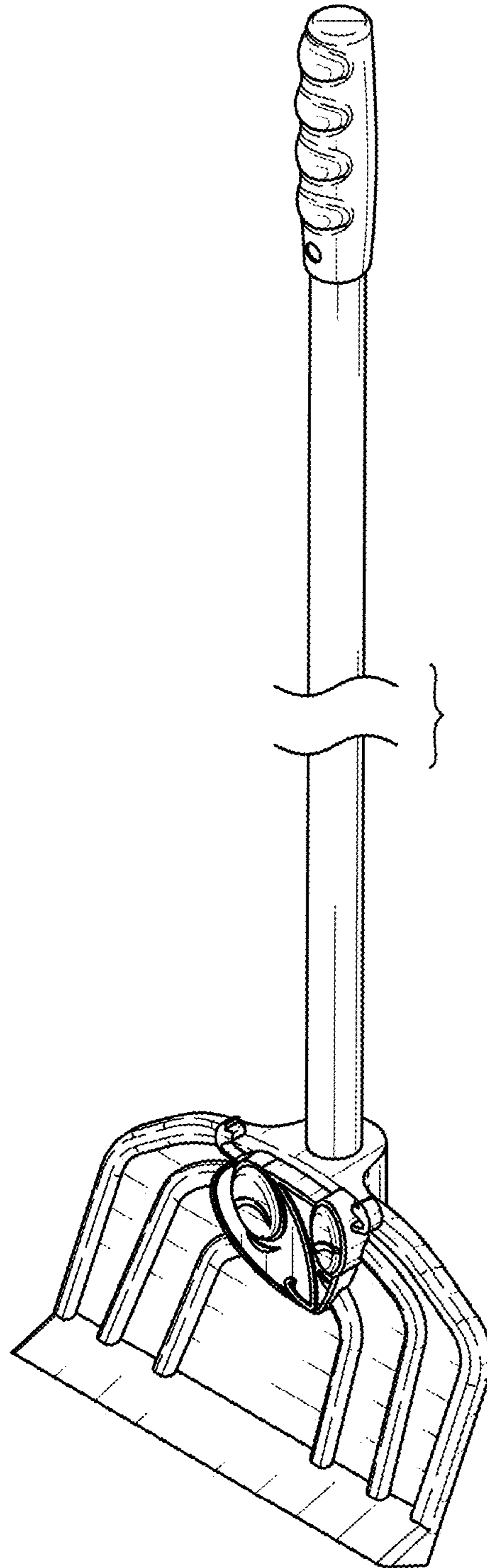


FIG. 11

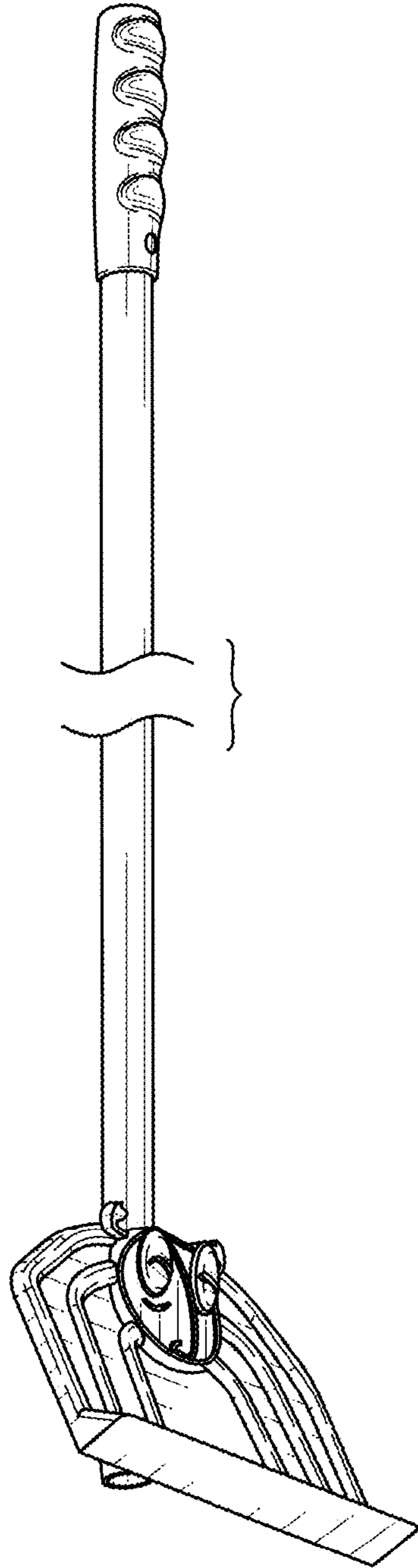


FIG. 12

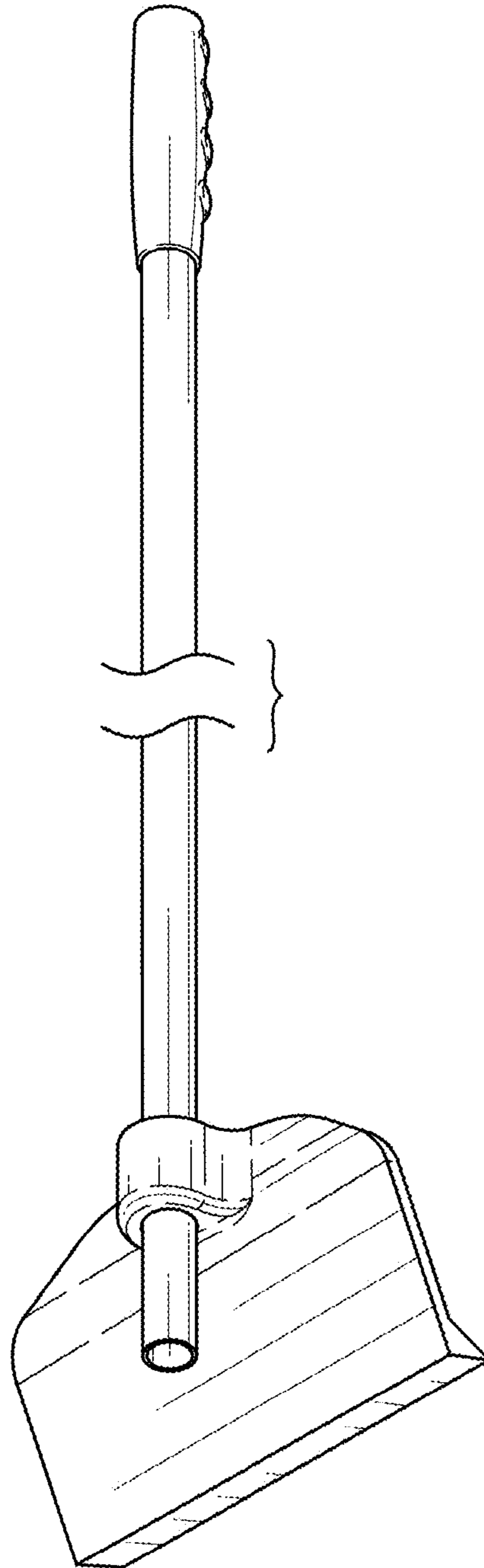


FIG. 13

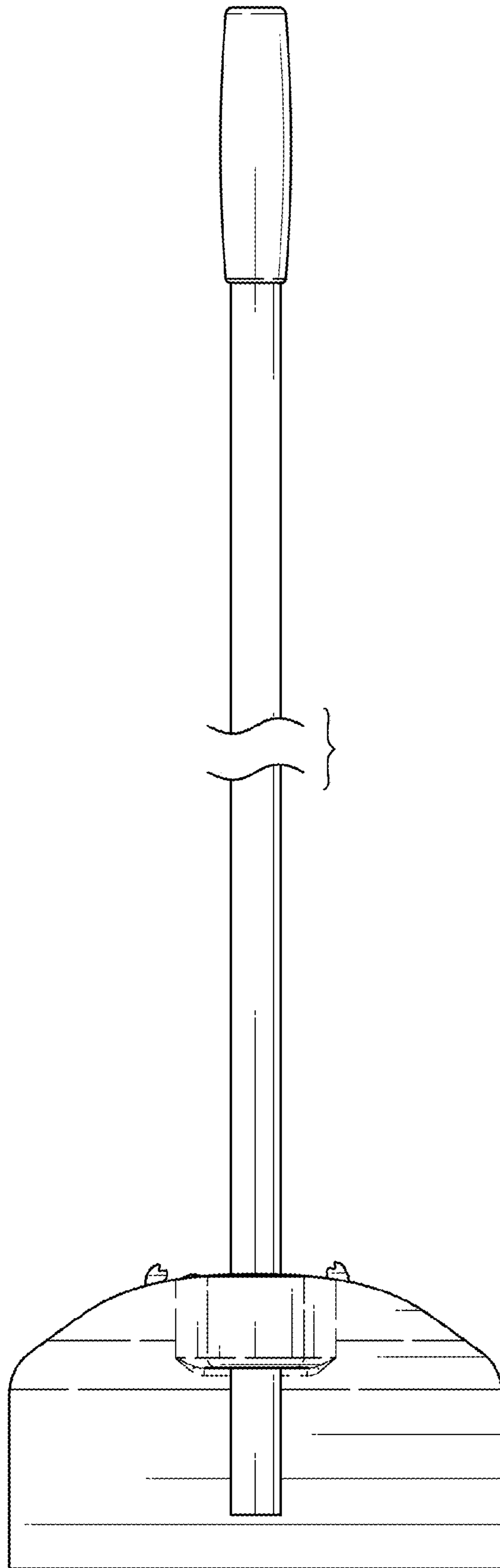


FIG. 14

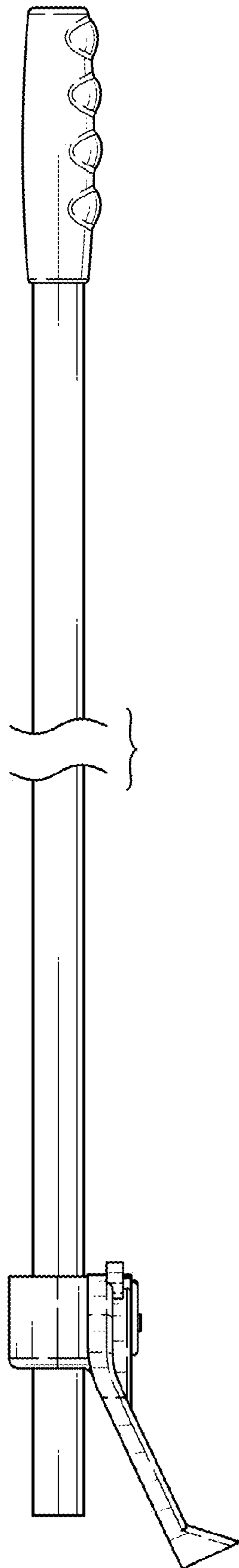


FIG. 15

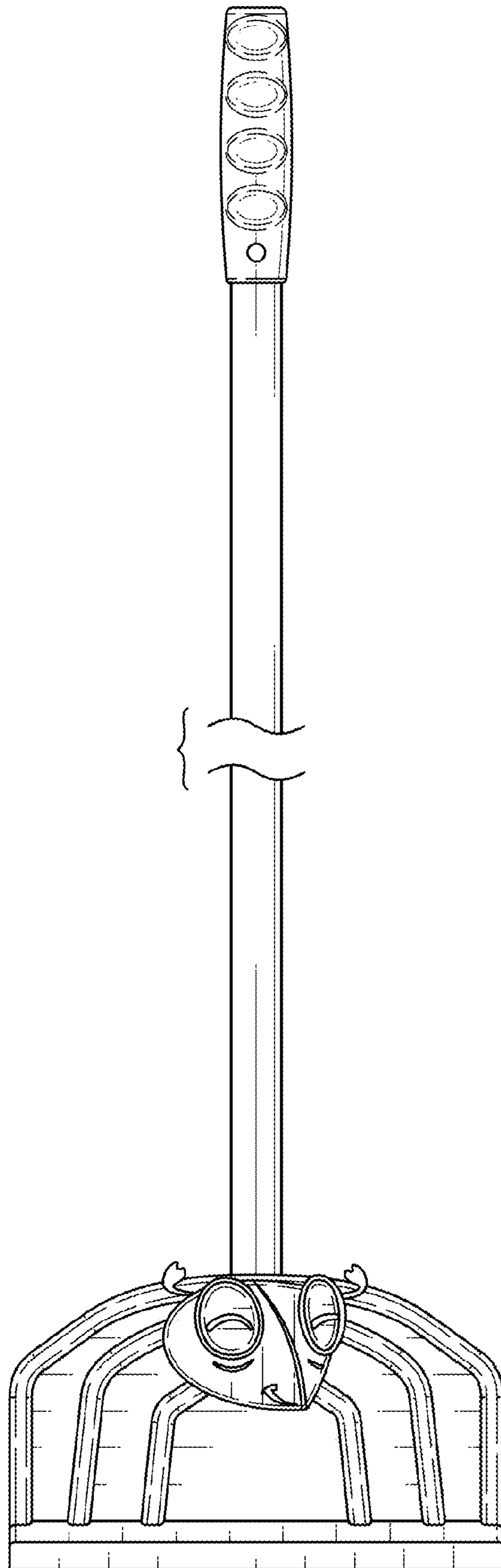


FIG. 16

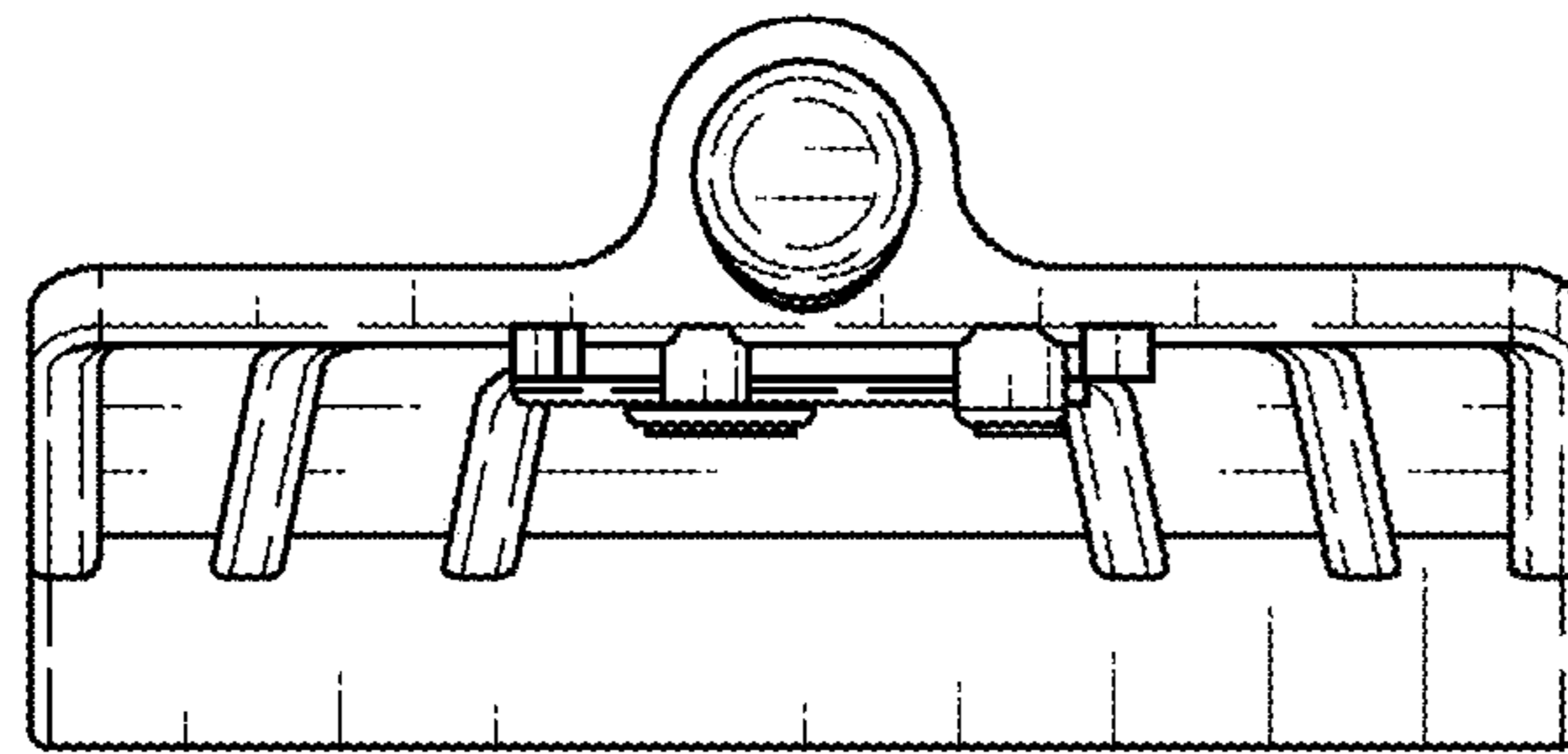


FIG. 17

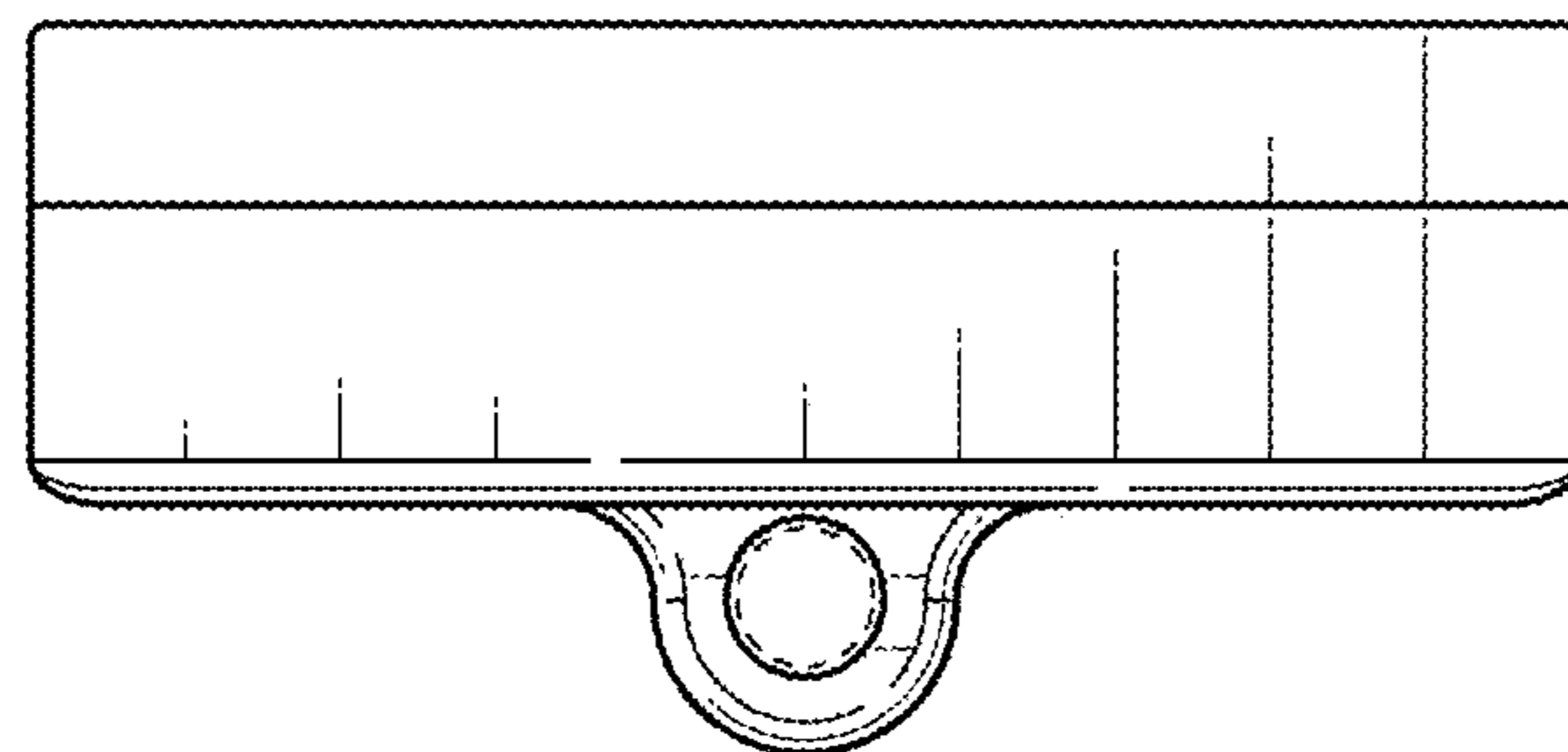


FIG. 18