



US00D920613S

(12) **United States Design Patent** (10) **Patent No.:** **US D920,613 S**
Luburic (45) **Date of Patent:** **** May 25, 2021**

(54) **CONTAINER**
(71) Applicant: **BWAY Corporation**, Atlanta, GA (US)
(72) Inventor: **Frano Luburic**, Costa Mesa, CA (US)
(73) Assignee: **BWAY CORPORATION**, Atlanta, GA (US)

D613,015 S * 3/2010 Manteuffel D32/53
D688,018 S * 8/2013 Duquenoy D32/53
8,596,492 B2 * 12/2013 Lown B65D 43/0212
220/787
D716,011 S * 10/2014 Jackson D32/53
D717,010 S * 11/2014 Jackson D32/53
D729,480 S * 5/2015 Silkaitis D32/53
D729,481 S * 5/2015 Silkaitis D32/53

(Continued)

(**) Term: **15 Years**

(21) Appl. No.: **29/697,245**

(22) Filed: **Jul. 5, 2019**

(51) **LOC (13) Cl.** **07-05**

(52) **U.S. Cl.**
USPC **D32/53**

(58) **Field of Classification Search**
USPC D3/276; D7/630; D9/420, 424;
D21/483; D24/131; D32/53, 53.1
CPC B65D 43/0212; B65D 43/169; B65D
25/2897; B65D 25/32; B65D 45/345;
B65D 15/26-264; B65D 220/904; B65D
2543/00092; B44D 3/123; B44D 3/128;
B44D 3/12; B44D 3/126; B44D 3/127
See application file for complete search history.

(56) **References Cited**

U.S. PATENT DOCUMENTS

D289,186 S * 4/1987 Thomson D21/483
D295,093 S * 4/1988 Tapdrup D32/53
D327,555 S * 6/1992 Juergens D32/53
D430,459 S * 9/2000 Conti D32/53
D435,654 S * 12/2000 Gaba D24/131
D503,534 S * 4/2005 Dong D3/276
D506,608 S * 6/2005 Dong B65D 25/32
D3/276
D526,481 S * 8/2006 Dong D3/276
D527,153 S * 8/2006 Morad D32/53
D549,416 S * 8/2007 Sampaio D32/53
7,475,788 B2 * 1/2009 Schwarz B65D 43/169
220/276
D608,066 S * 1/2010 Pearl D32/53

OTHER PUBLICATIONS

Food-safe square bucket <https://pleasanthillgrain.com/five-5-gallon-square-buckets> (Year: 2016).*

(Continued)

Primary Examiner — Michelle E. Wilson
Assistant Examiner — Richard E Yenchesky
(74) *Attorney, Agent, or Firm* — Morris, Manning & Martin, LLP; Daniel E. Sineway, Esq.; Bryan D. Stewart, Esq.

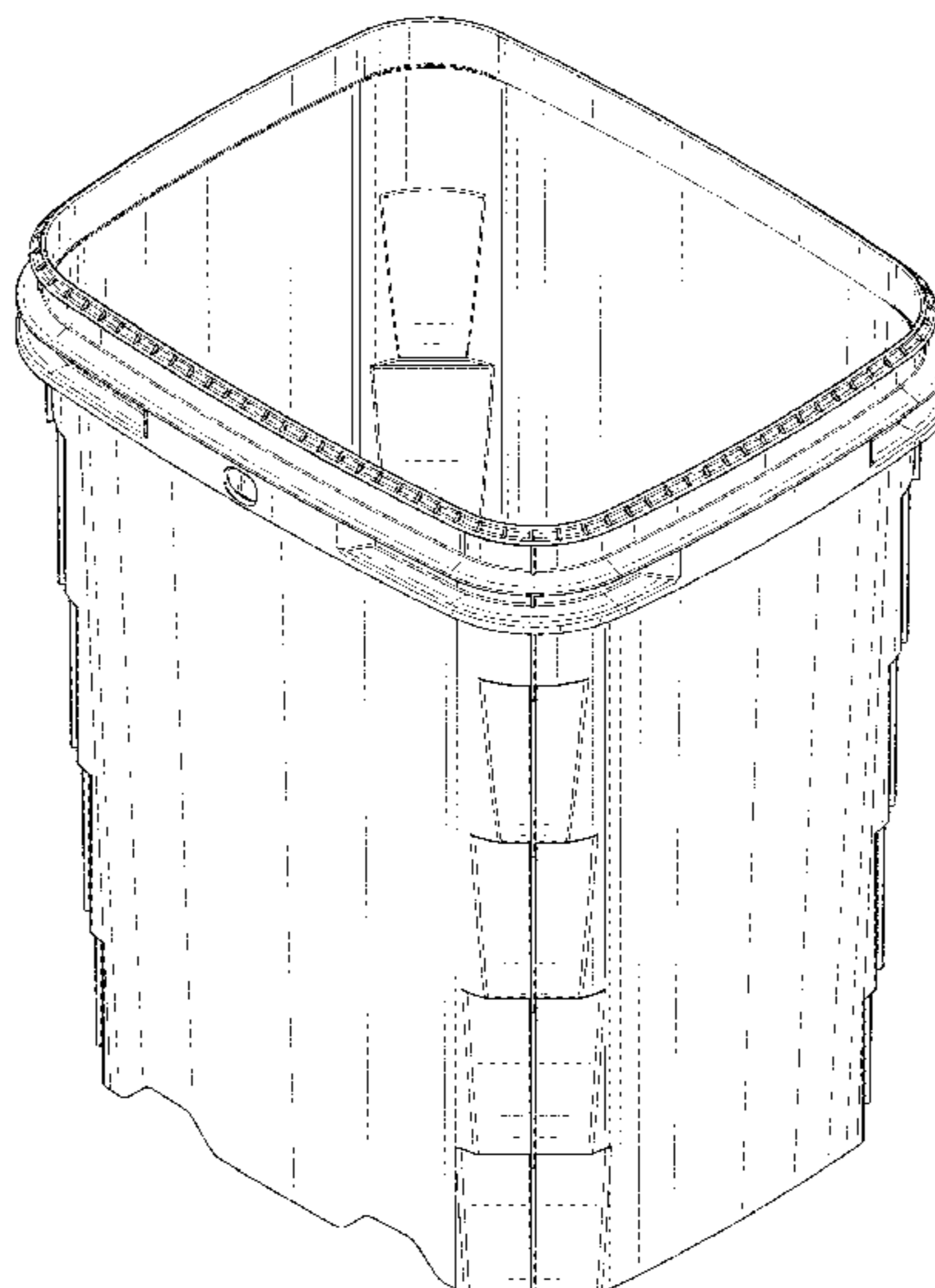
(57) **CLAIM**

The ornamental design for the container, as shown and described.

DESCRIPTION

FIG. 1 is a perspective view of an exemplary container; FIG. 2 is a top plan view of an exemplary container; FIG. 3 is a bottom plan view of an exemplary container; FIG. 4 is a side elevational view of an exemplary container, the opposite side being a mirror image of the side shown in FIG. 4; and, FIG. 5 is a side elevational view of an exemplary container, the opposite side being the mirror image of the side shown in FIG. 5. The broken lines shown in the drawings illustrate portions of the container that form no part of the claimed design.

1 Claim, 5 Drawing Sheets



(56)

References Cited

U.S. PATENT DOCUMENTS

D767,227 S * 9/2016 Del Rosario Roy D32/53
D767,228 S * 9/2016 Del Rosario Roy D32/53
D778,519 S * 2/2017 Luburic D32/53
9,669,959 B2 * 6/2017 Luburic B65D 25/2897
D804,758 S * 12/2017 Luburic D32/53
D814,920 S * 4/2018 Georgiadis D9/420
D878,695 S * 3/2020 Reinhart D32/53
D894,510 S * 8/2020 Luburic D32/53
D901,255 S * 11/2020 Samartgis D7/630
D903,482 S * 12/2020 Drolet D9/424
2016/0311584 A1 * 10/2016 Van Oosten B65D 45/345

OTHER PUBLICATIONS

Square bucket <https://www.amazon.com/gallon-square-bucket-food-grade/dp/b00lps9hfu?tag=indifash06-20> (Year: 2017).*

Square pails https://www.uline.com/BL_8172/Square-Pails (Year: 2021).*

* cited by examiner

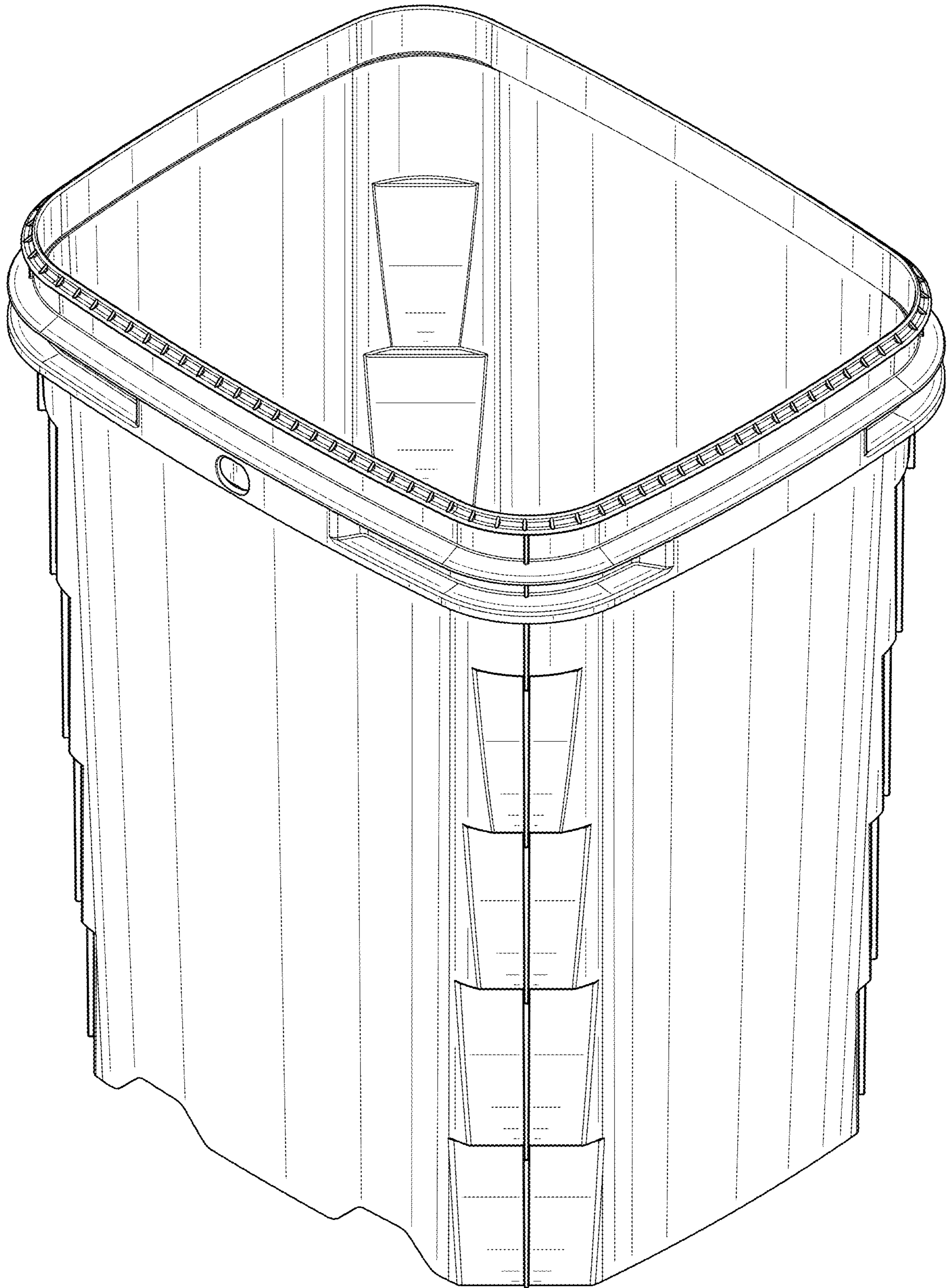


FIG. 1

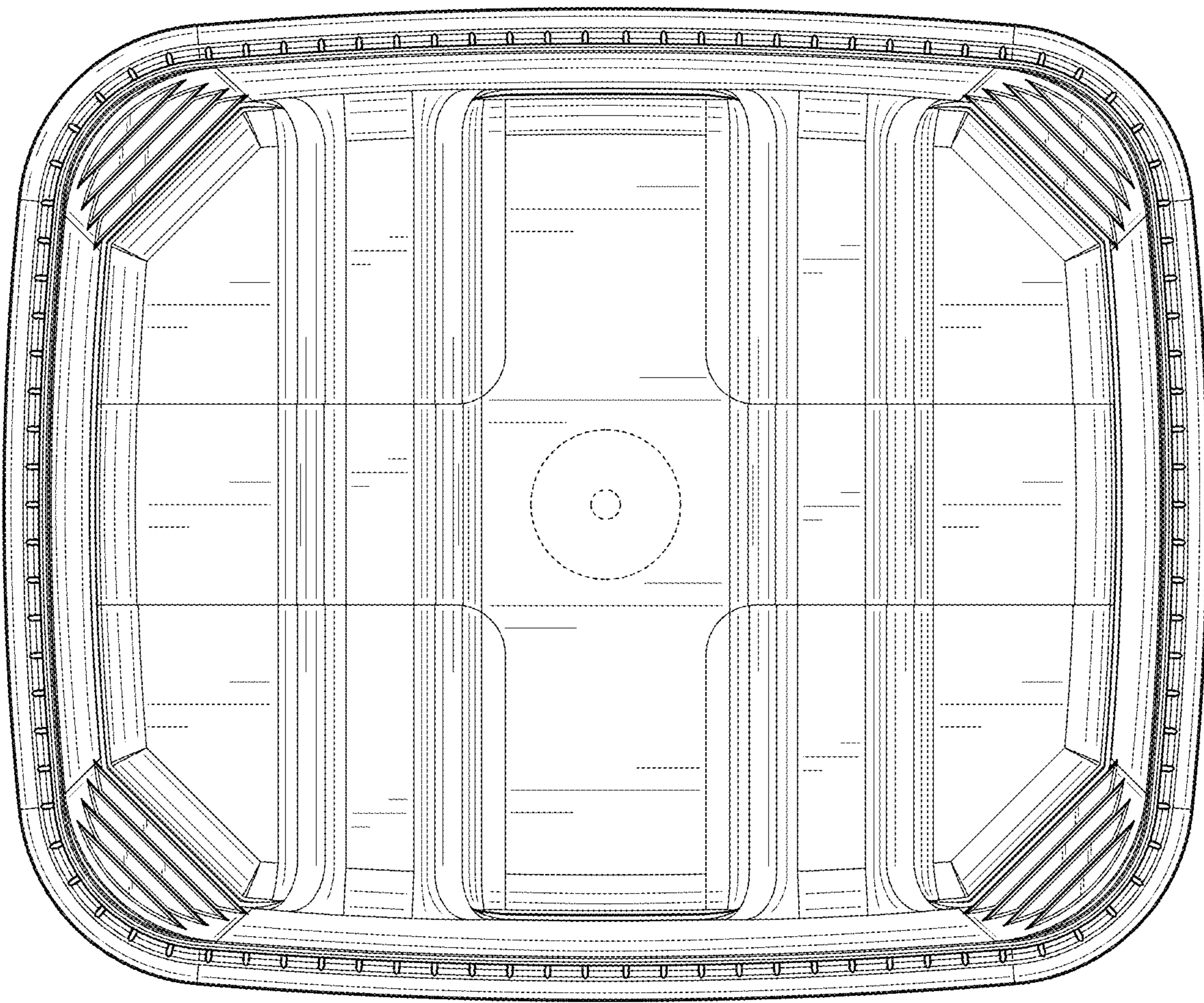


FIG. 2

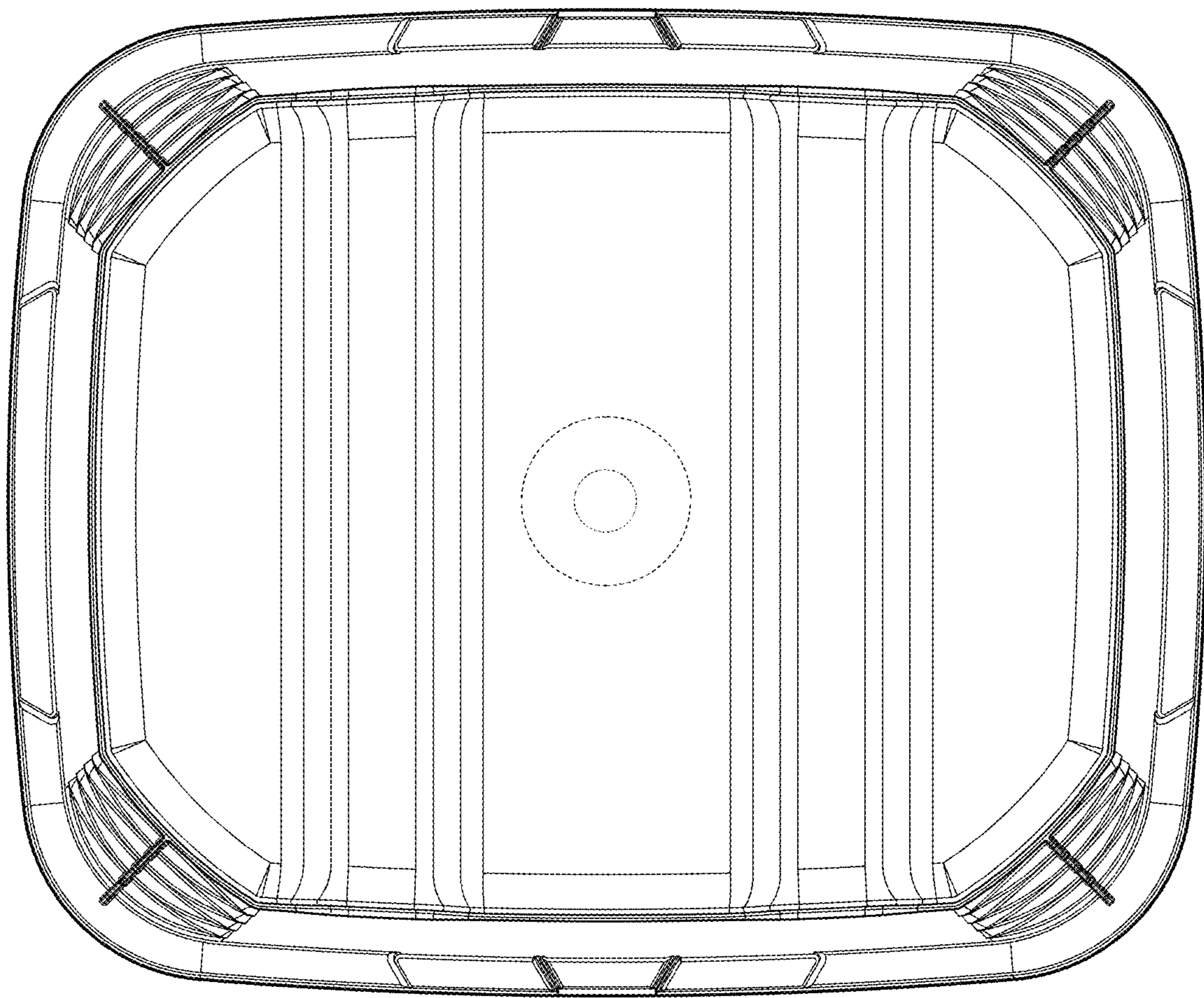


FIG. 3

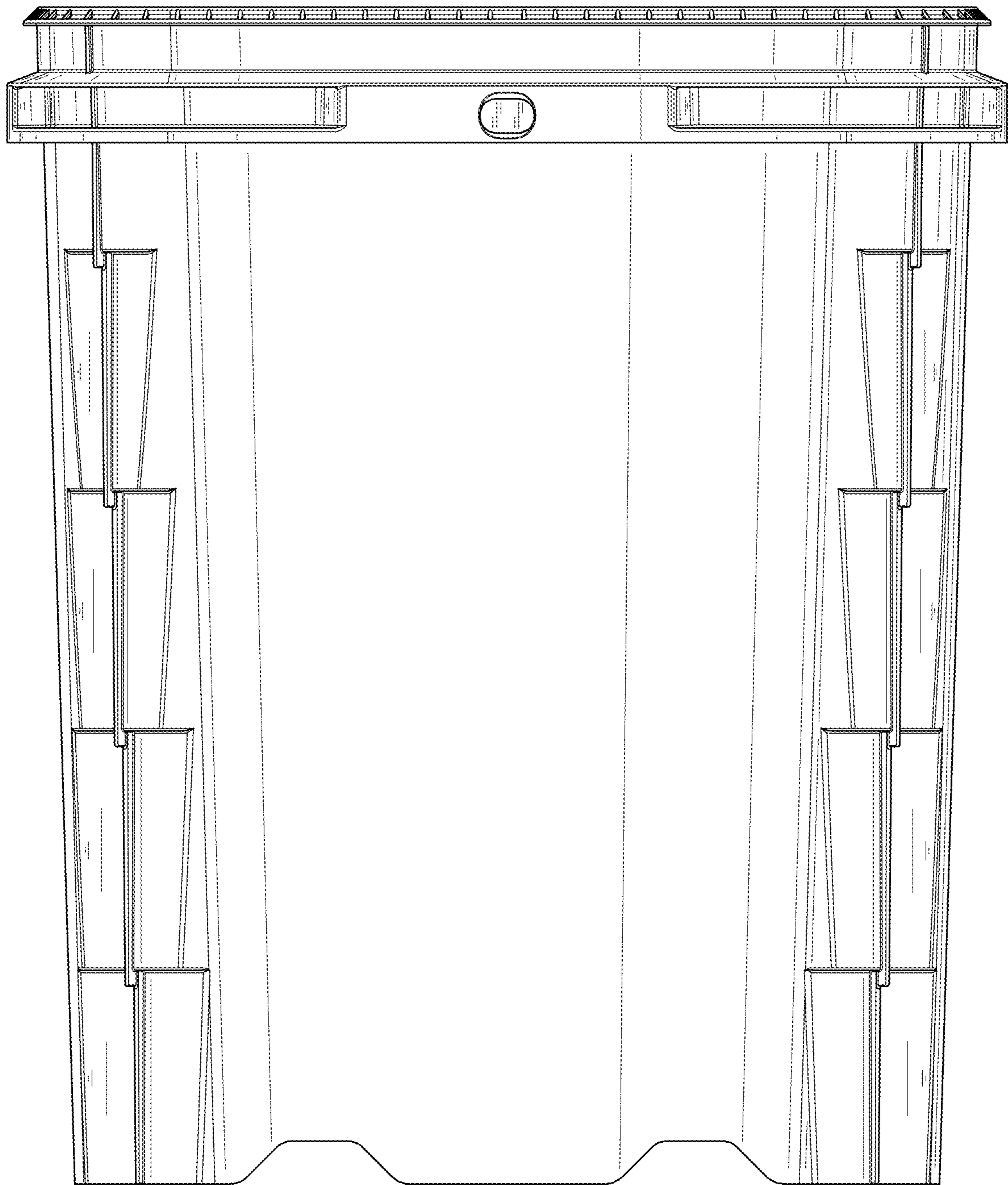


FIG. 4

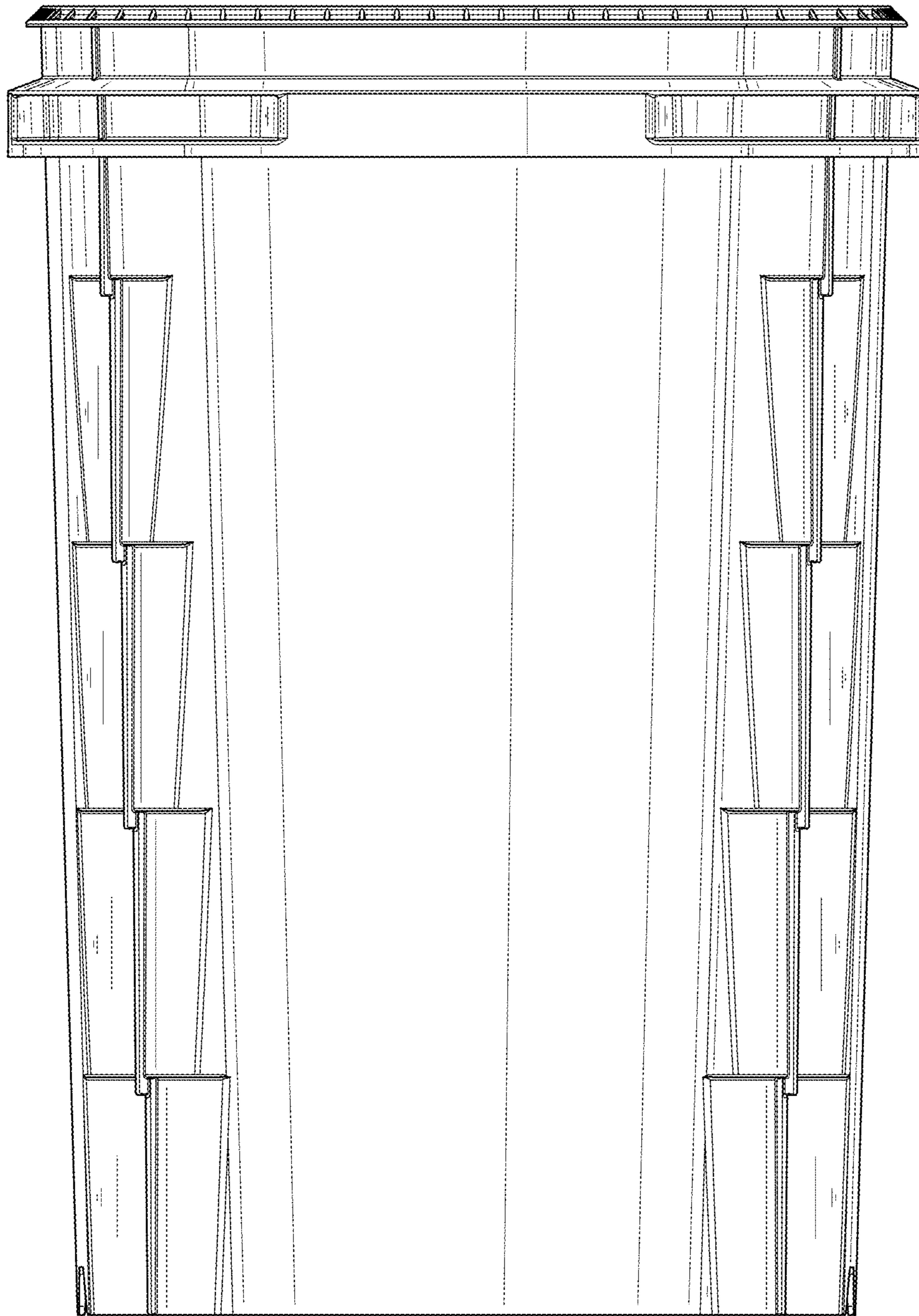


FIG. 5