



US00D920611S

(12) **United States Design Patent** (10) **Patent No.:** **US D920,611 S**
Szabo et al. (45) **Date of Patent:** **** May 25, 2021**

(54) **VACUUM CLEANER FOOT, WAND, AND HANDLE**

(71) Applicant: **BISSELL Inc.**, Grand Rapids, MI (US)

(72) Inventors: **Levente Szabo**, Shanghai Municipality (CN); **Jing Yang**, Shongshan (CN)

(73) Assignee: **BISSELL Inc.**, Grand Rapids, MI (US)

(**) Term: **15 Years**

(21) Appl. No.: **29/673,781**

(22) Filed: **Dec. 18, 2018**

(51) **LOC (13) Cl.** **15-05**

(52) **U.S. Cl.**
USPC **D32/32**

(58) **Field of Classification Search**
USPC D32/17-24, 31-34, 38, 39
CPC A47L 9/02; A47L 9/04; A47L 9/06; A47L 9/0461; A47L 9/325; A47L 5/362; A47L 5/365; A47L 5/30; A47L 5/36; A47L 5/28; A47L 5/32; A47L 11/4044; A47L 11/302; A47L 13/26; A47L 13/40; A47L 13/36; A47L 13/38; A47L 11/33; A47L 11/32; A47L 7/02; A47L 11/34; A47L 11/4025

See application file for complete search history.

(56) **References Cited**

U.S. PATENT DOCUMENTS

| | | | | | | |
|-----------|----|---|---------|--------------|-------|------------------------|
| D280,033 | S | * | 8/1985 | Miyamoto | | D32/18 |
| D348,548 | S | * | 7/1994 | Pino | | D32/18 |
| D383,578 | S | * | 9/1997 | Ho | | D32/22 |
| D398,096 | S | * | 9/1998 | Gildersleeve | | D32/22 |
| D419,731 | S | * | 1/2000 | Bates | | D32/22 |
| 6,129,775 | A | * | 10/2000 | Conrad | | A47L 9/1608 55/337 |
| D436,699 | S | * | 1/2001 | Makihara | | D32/22 |
| 6,361,576 | B1 | * | 3/2002 | Andriola | | B01D 45/16 55/459.1 |
| D463,077 | S | * | 9/2002 | Kim | | D32/21 |

(Continued)

OTHER PUBLICATIONS

<https://www.alzashop.com/bissell-smartclean-2274n-d5583591.htm> (Year: 2020).*

(Continued)

Primary Examiner — Michelle E. Wilson

Assistant Examiner — Richard E Yenchesky

(74) *Attorney, Agent, or Firm* — Warner Norcross + Judd LLP

(57) **CLAIM**

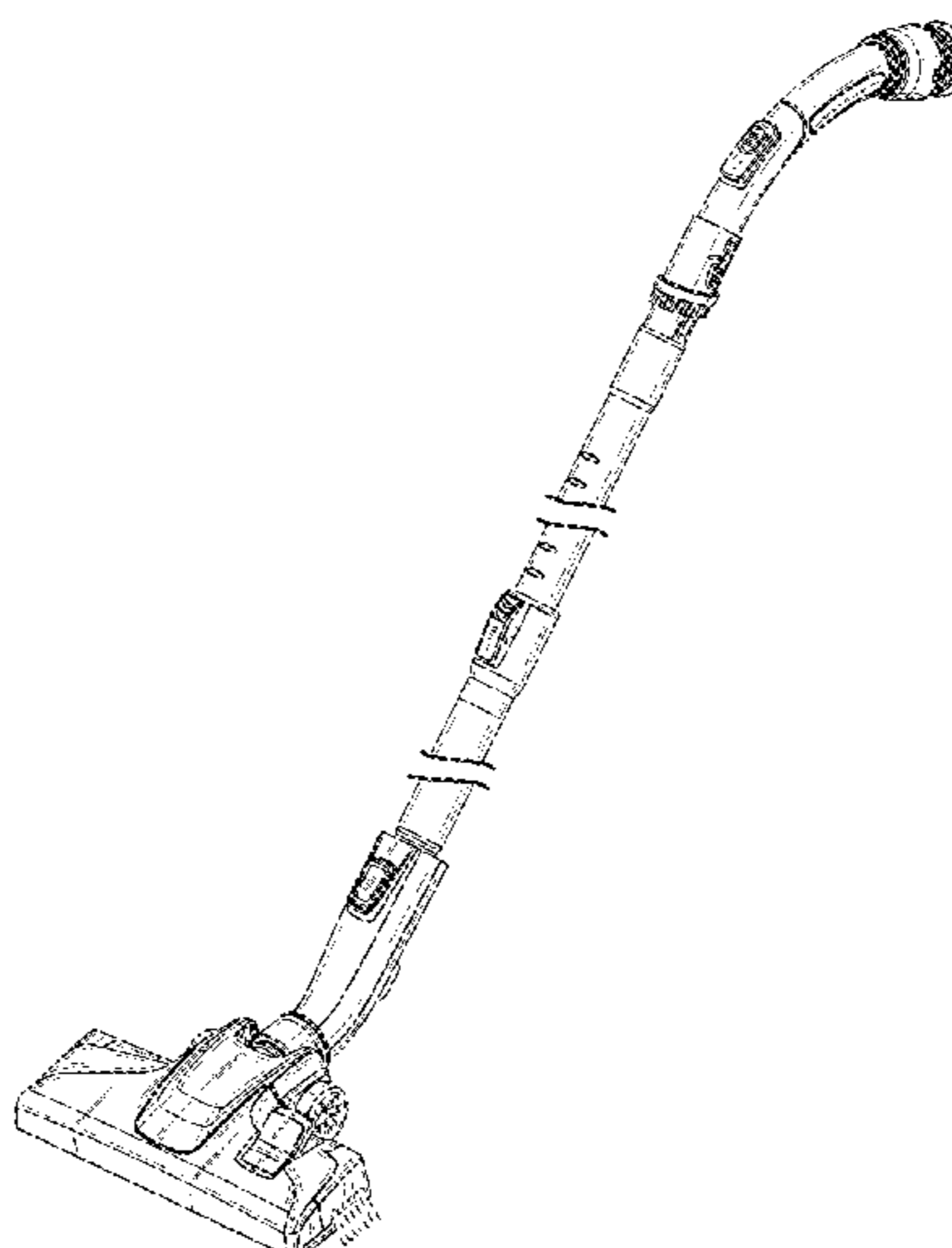
The ornamental design for a vacuum cleaner foot, wand, and handle, as shown and described.

DESCRIPTION

FIG. 1 is a front perspective view of a vacuum cleaner foot, wand, and handle showing our new design;
FIG. 2 is a front view thereof;
FIG. 3 is a rear view thereof;
FIG. 4 is a right side view thereof, the left side being a mirror image;
FIG. 5 is a top view thereof;
FIG. 6 is a close-up front perspective view of the vacuum cleaner foot and a portion of the wand;
FIG. 7 is a front view thereof;
FIG. 8 is a rear view thereof;
FIG. 9 is a right side view thereof, the left side being a mirror image; and,
FIG. 10 is a top view thereof.

The details shown in broken lines form no part of the claimed design. The break lines indicate that the claim is directed only to the design for the portions of the vacuum cleaner foot, wand, and handle that are shown, and the appearance of any portion of the claimed design between the break lines forms no part of the claimed design.

1 Claim, 8 Drawing Sheets



(56)

References Cited

U.S. PATENT DOCUMENTS

6,679,930 B1 * 1/2004 An A47L 9/1608
 55/337
 D498,888 S * 11/2004 Archer D32/25
 D527,852 S * 9/2006 Tsai D32/21
 D549,910 S * 8/2007 Bouhuys D32/38
 D561,415 S * 2/2008 Tavano D32/34
 D635,728 S * 4/2011 Fjellman D32/22
 D653,414 S * 1/2012 Genoa D32/38
 D670,466 S * 11/2012 Cho D32/22
 D682,496 S * 5/2013 Bassett D32/22
 D703,401 S * 4/2014 Hill D32/31
 D719,309 S * 12/2014 Ashbee D32/33
 D719,310 S * 12/2014 Ashbee D32/33
 D789,006 S * 6/2017 Ricica D32/32
 D794,268 S * 8/2017 Minamide D32/22
 D796,129 S * 8/2017 Jang D32/22
 D798,009 S * 9/2017 Salagnac D32/22
 D800,980 S * 10/2017 Carter D32/21
 D824,616 S * 7/2018 Ward D32/22
 D833,092 S * 11/2018 Samtani D32/22
 D836,865 S * 12/2018 Niedzwecki D32/31
 D836,867 S * 12/2018 Nam D32/32
 D838,067 S * 1/2019 Irfan B04C 5/185
 D32/22
 D850,038 S * 5/2019 Gammack D32/22
 D855,271 S * 7/2019 Liang D32/50
 D858,016 S * 8/2019 Casini D32/15
 D860,562 S * 9/2019 Rasmussen D32/34

D861,268 S * 9/2019 Meyer D32/22
 D869,793 S * 12/2019 Casini D32/15
 D871,000 S * 12/2019 Johnson D32/32
 D871,695 S * 12/2019 Niedzwecki D32/22
 D872,396 S * 1/2020 Miyawaki D32/22
 D877,434 S * 3/2020 Burgess D32/31
 D887,657 S * 6/2020 Palladino D32/22
 D897,616 S * 9/2020 Chen D32/22
 2001/0005986 A1 * 7/2001 Matsubara B04C 5/103
 55/459.1
 2004/0187449 A1 * 9/2004 Witter B04C 9/00
 55/337
 2011/0203238 A1 * 8/2011 Witter B01D 46/0093
 55/356
 2012/0180662 A1 * 7/2012 Missalla B04C 5/13
 95/271
 2014/0250619 A1 * 9/2014 Policicchio A47L 13/16
 15/231
 2014/0250625 A1 * 9/2014 Huang B01D 45/16
 15/353
 2018/0339257 A1 * 11/2018 Cheng B01D 46/0045
 2018/0345200 A1 * 12/2018 Cheng B01D 50/002
 2019/0133393 A1 * 5/2019 Cheng A47L 5/34
 2019/0336904 A1 * 11/2019 Choi B05B 15/52

OTHER PUBLICATIONS

https://www.amazon.com/BISSELL-Lightweight-Bagged-Canister-2154A/dp/B075PKTS85/ref=sr_1_11 (Year: 2020).*

* cited by examiner

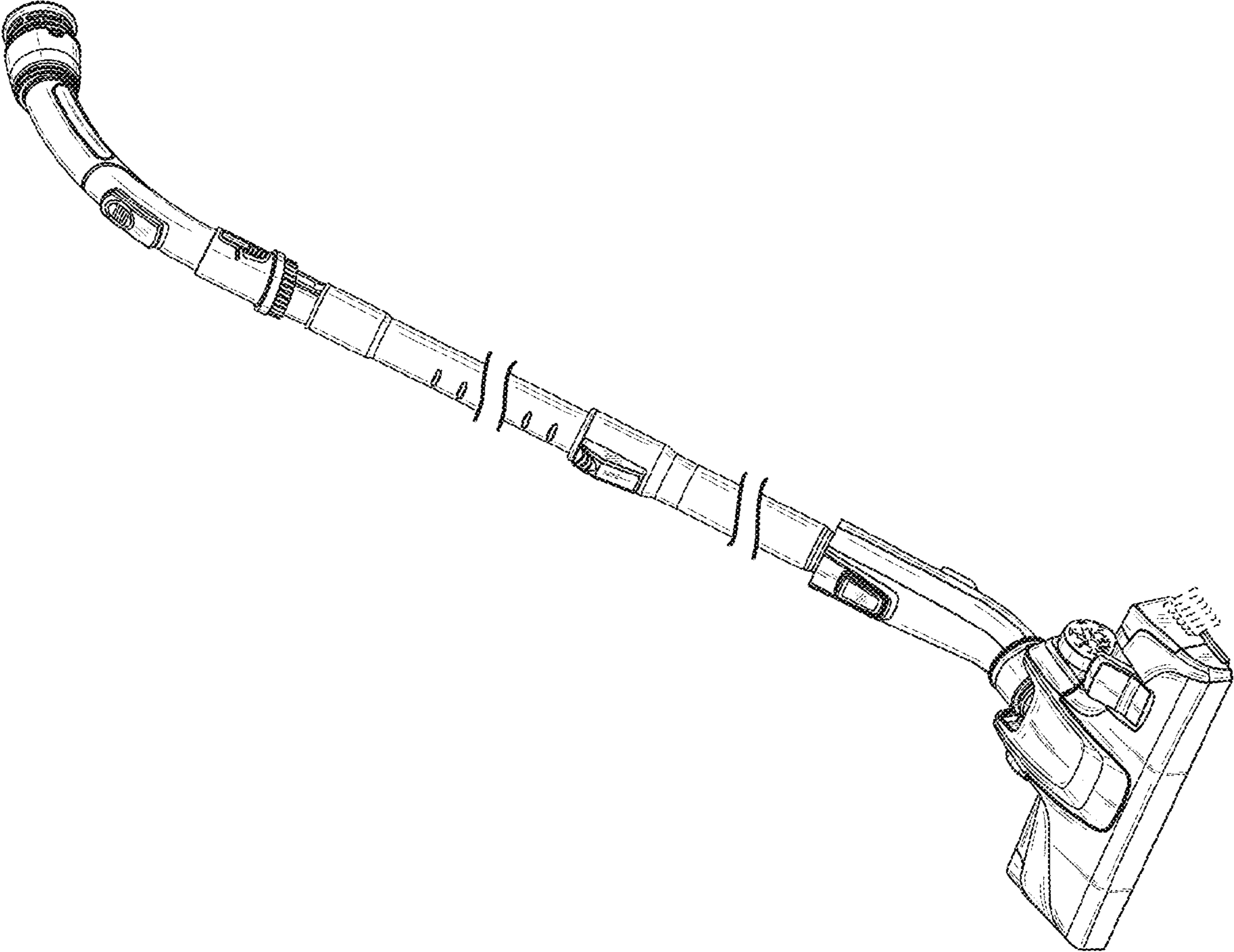


FIG. 1

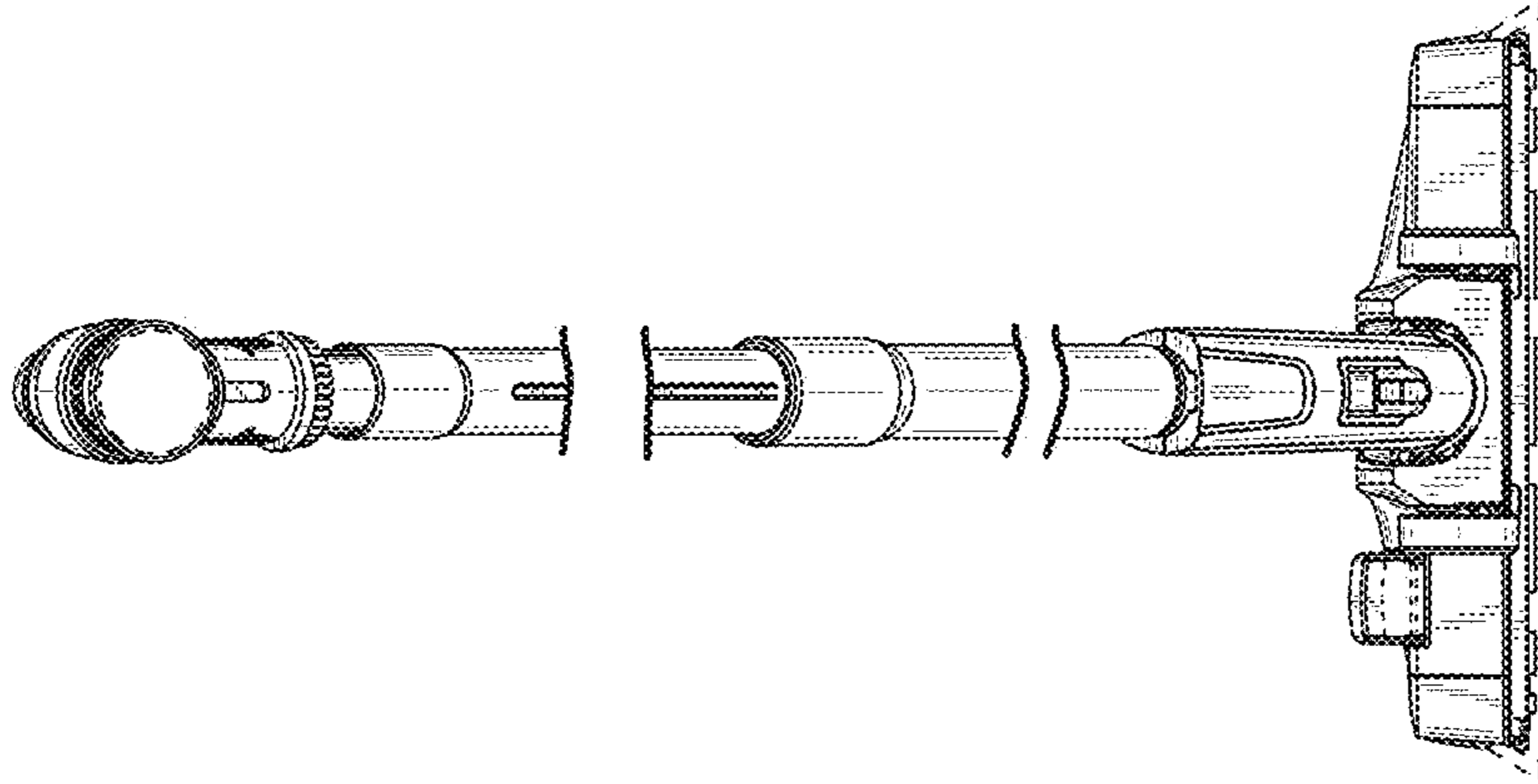


FIG. 2

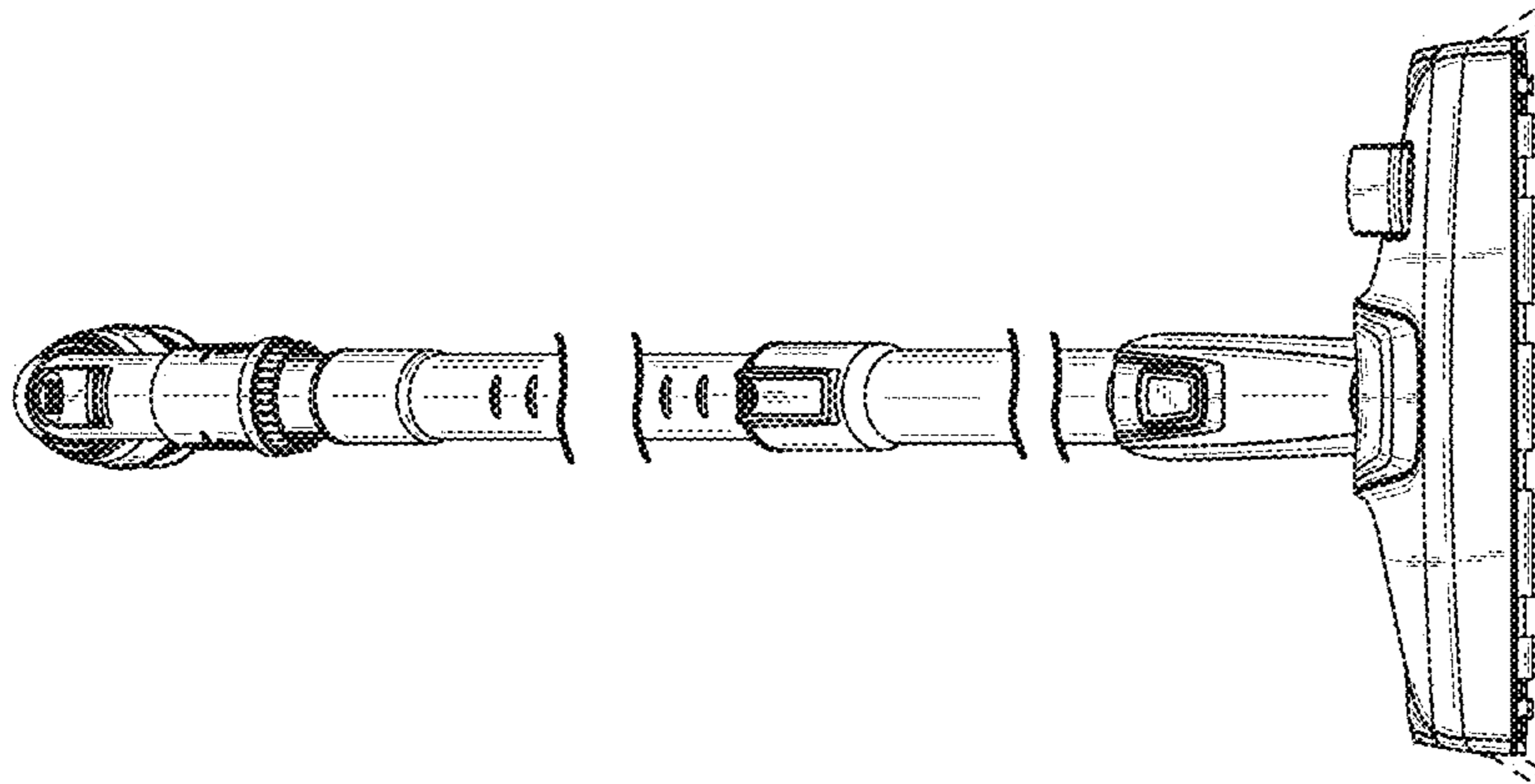


FIG. 3

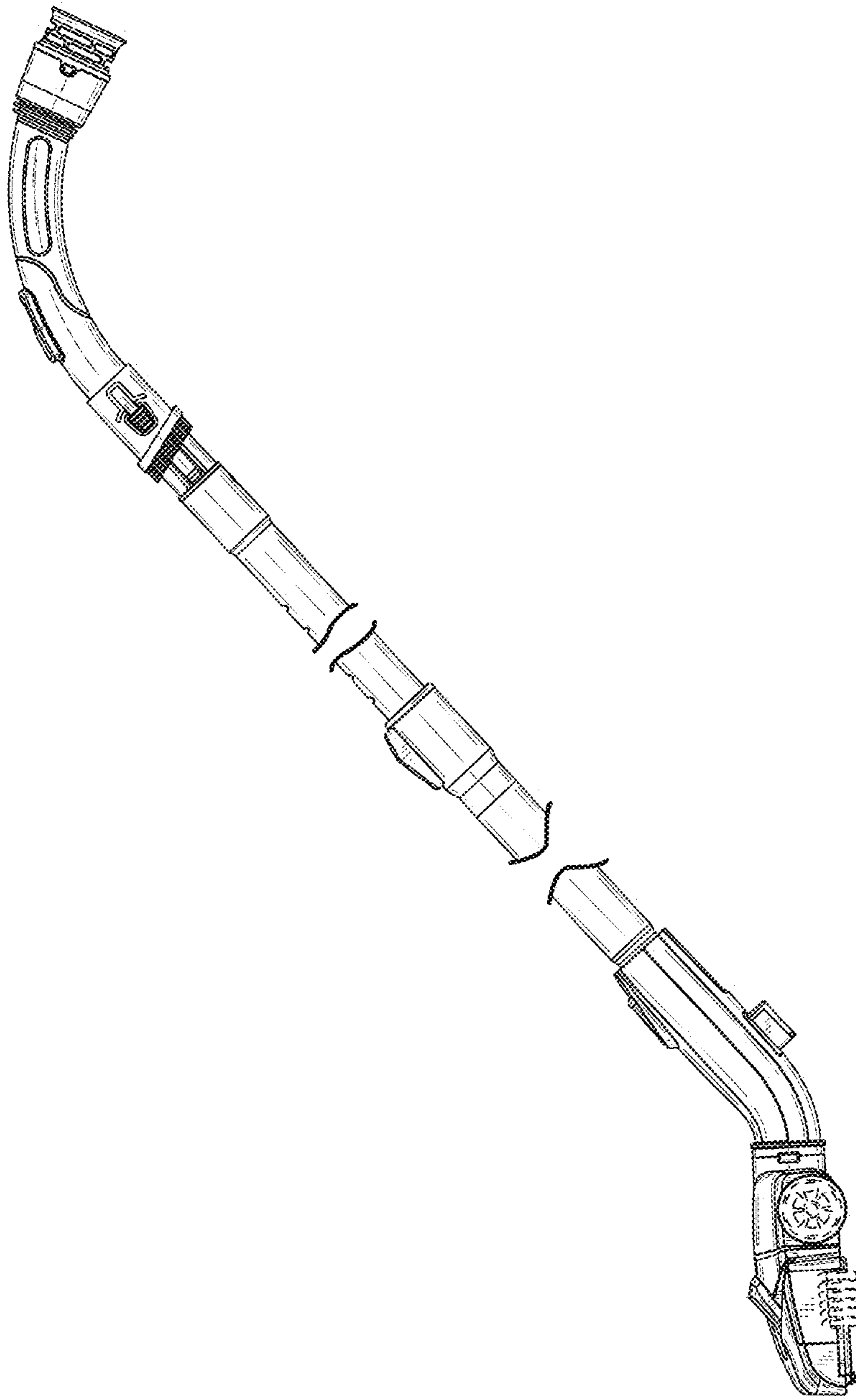


FIG. 4

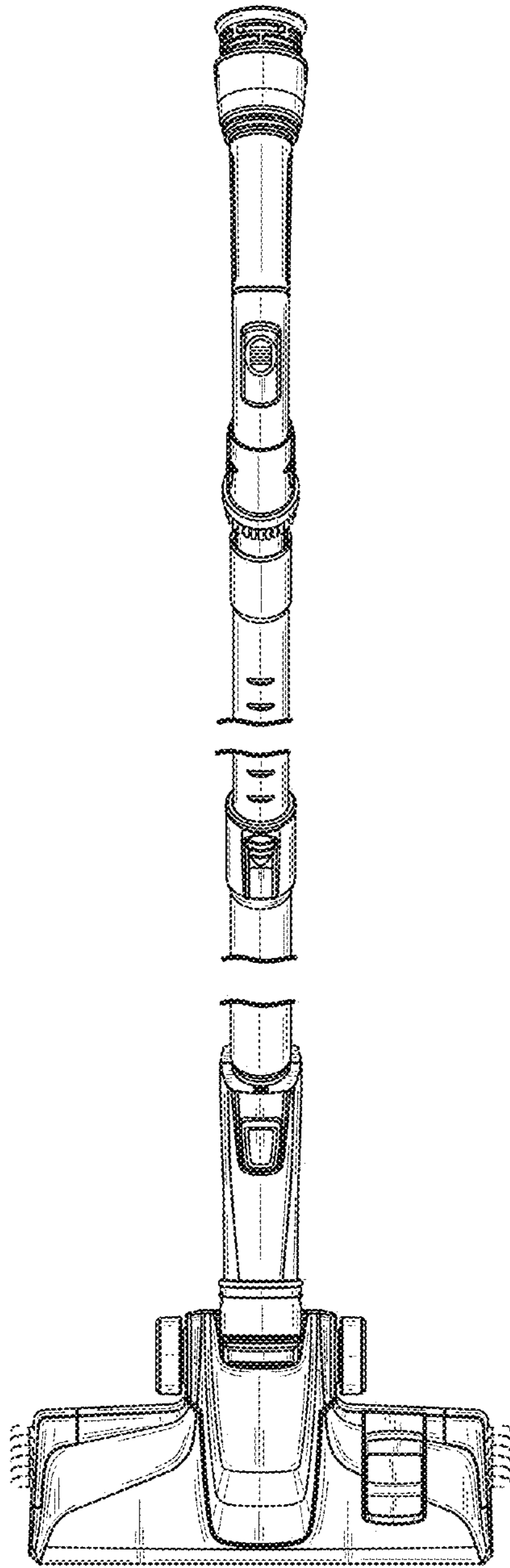


FIG. 5

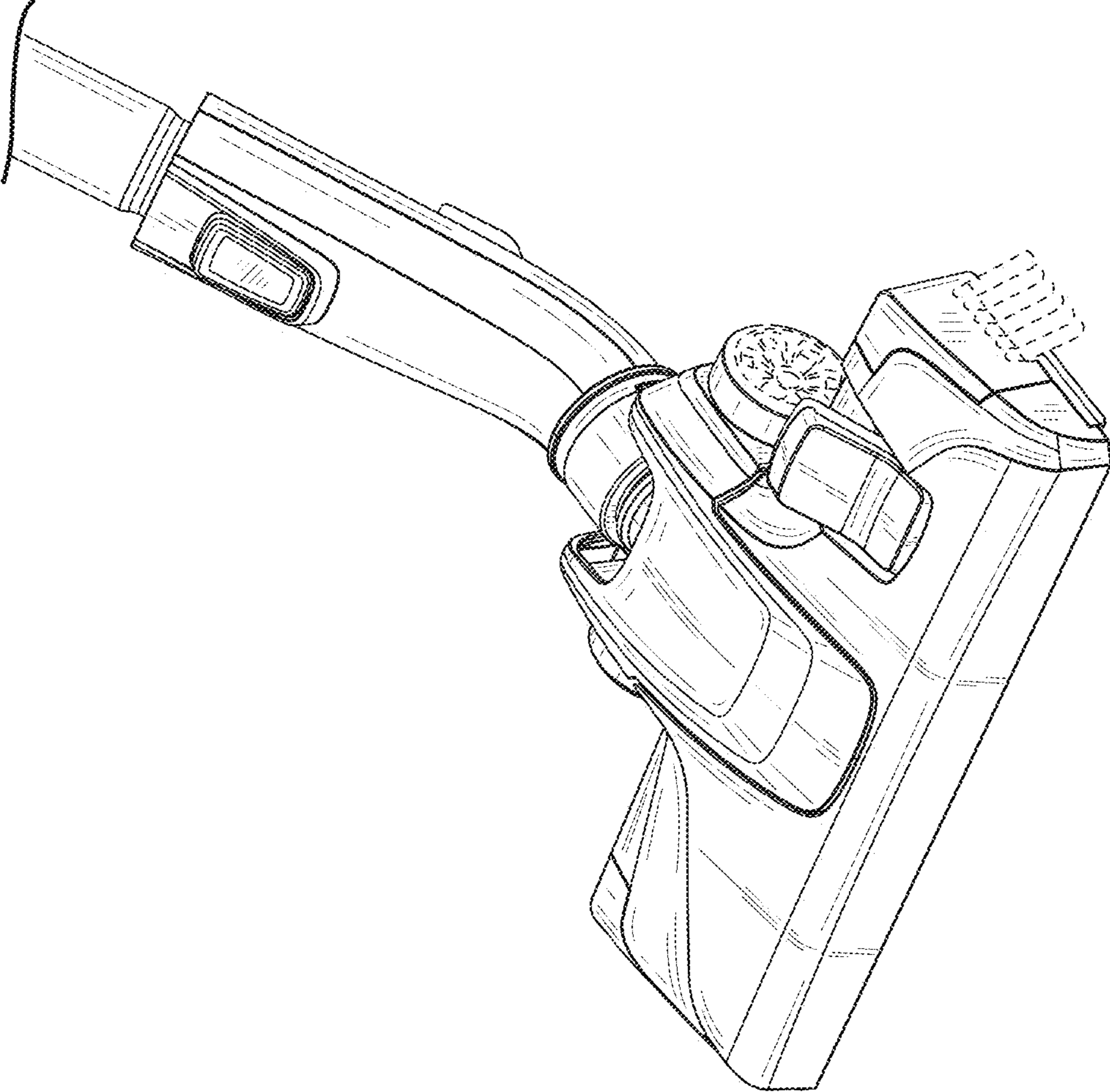


FIG. 6

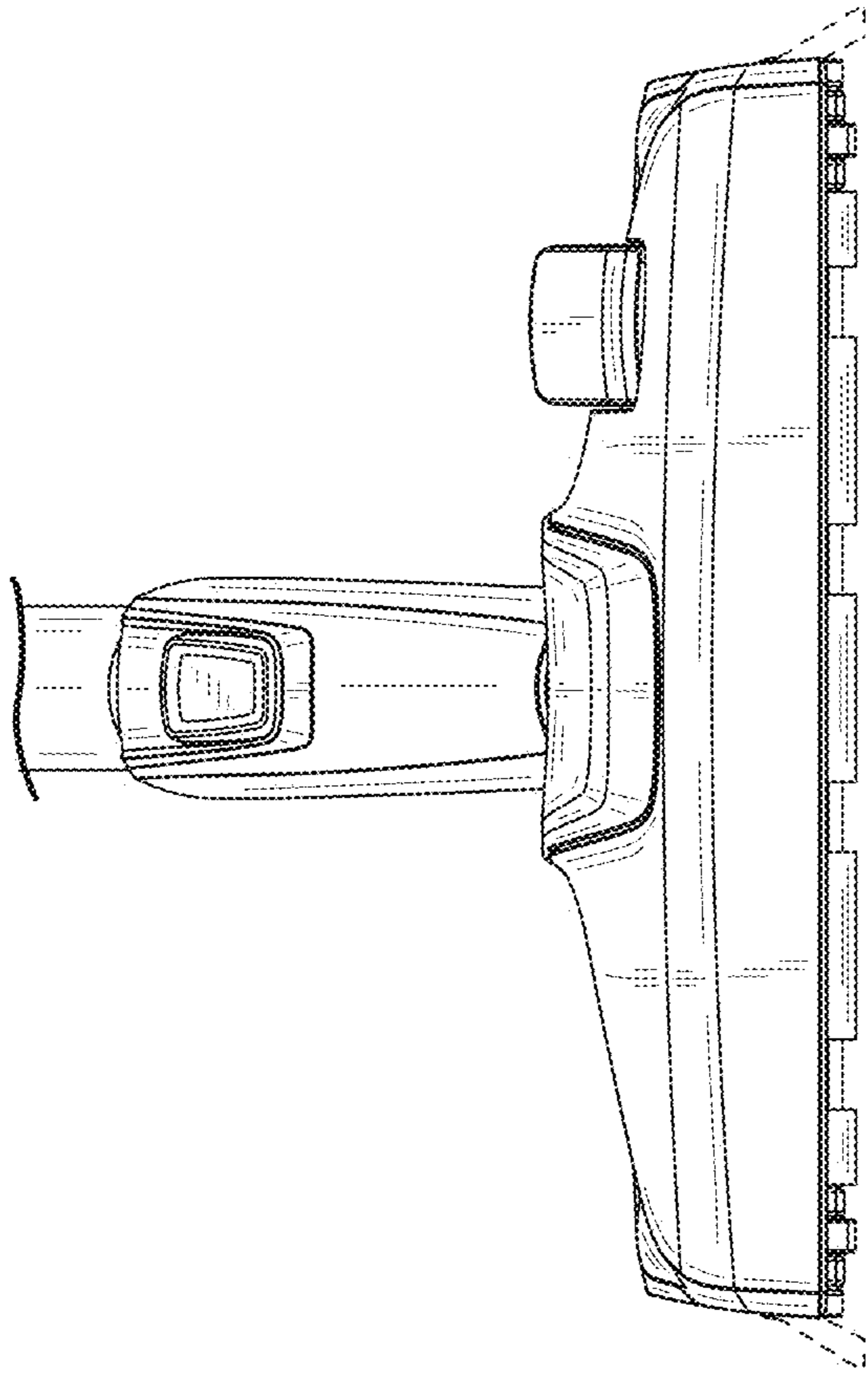


FIG. 7

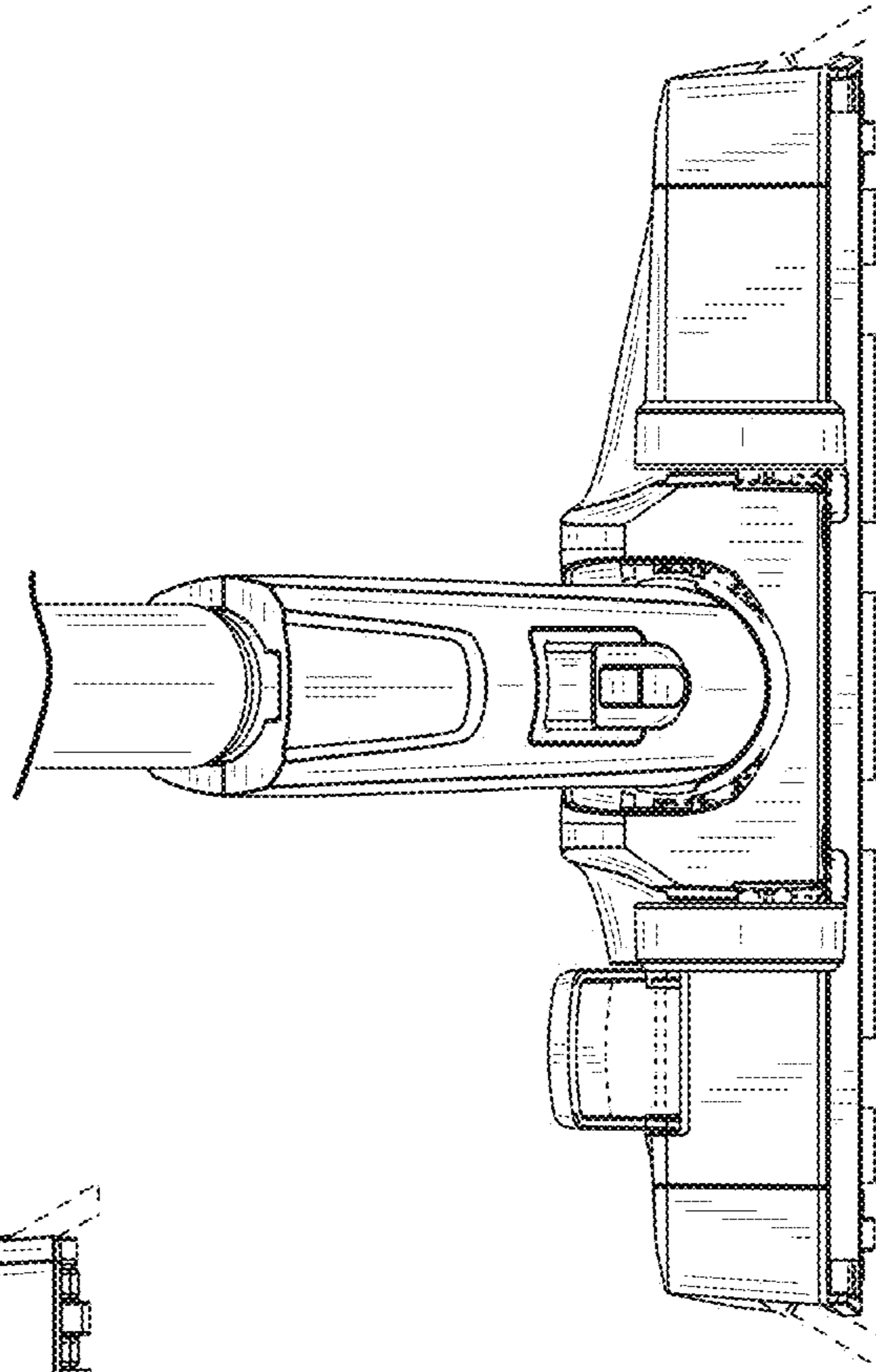


FIG. 8

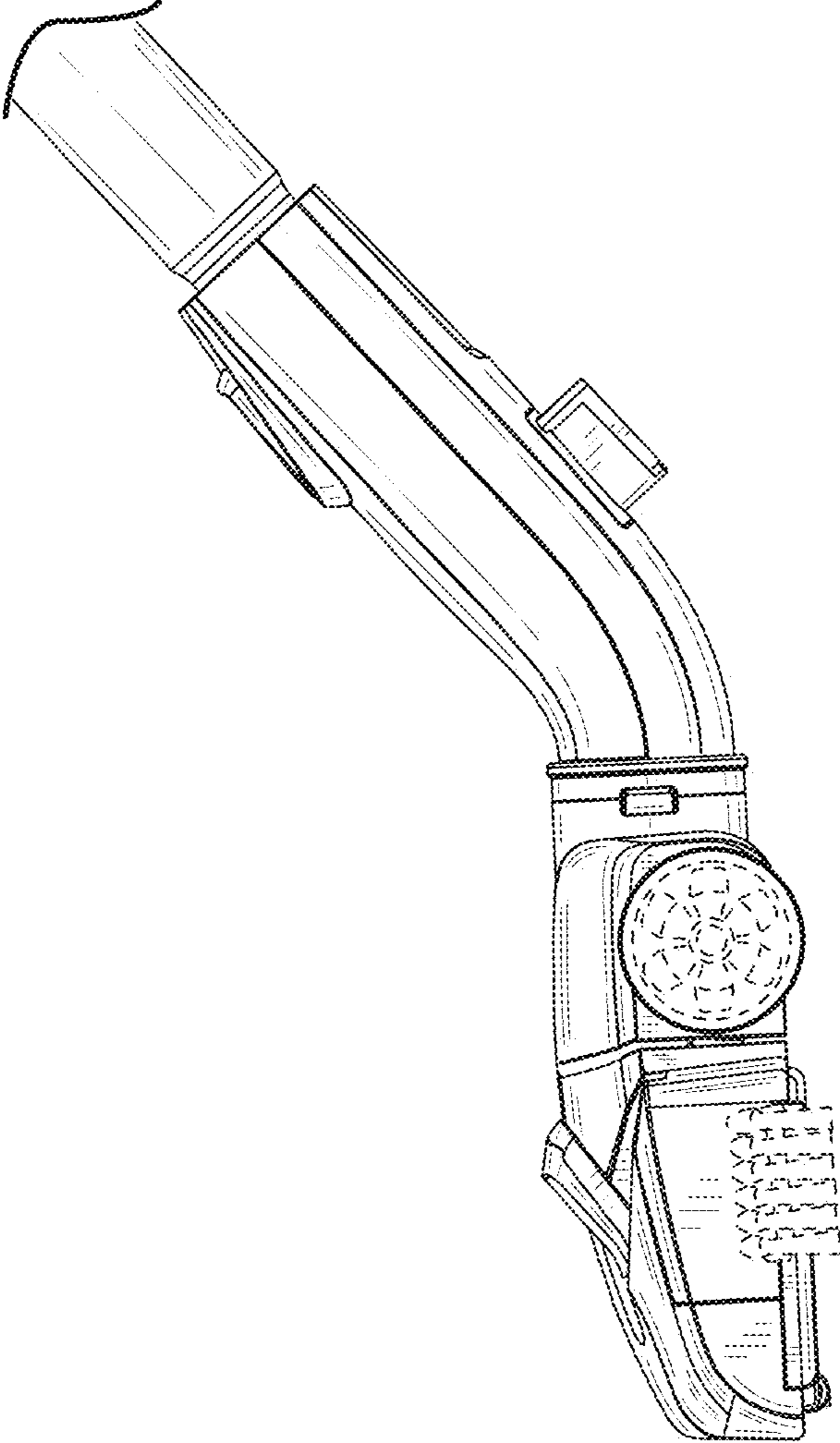


FIG. 9

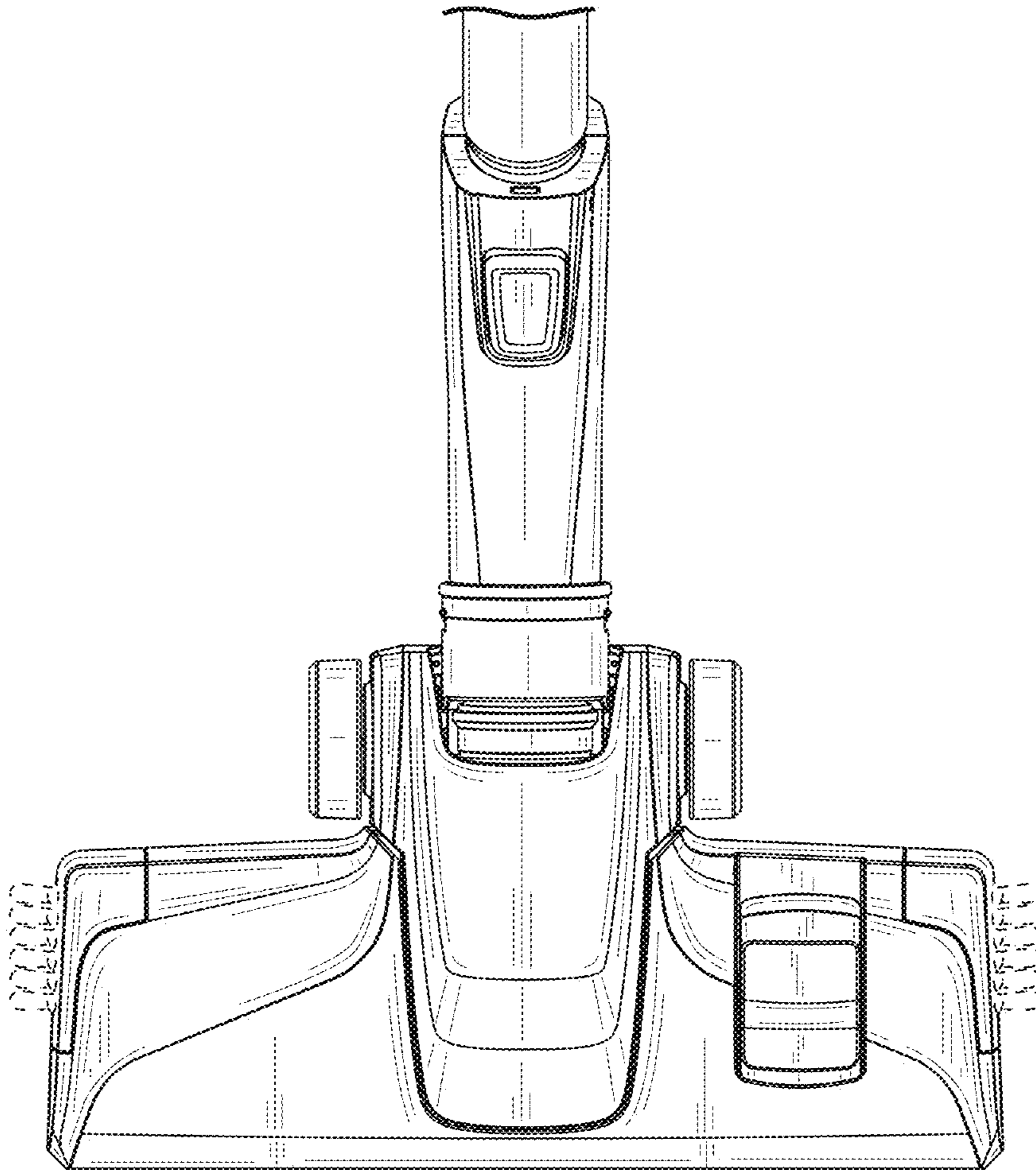


FIG. 10