



US00D920610S

(12) **United States Design Patent**  
**Aschoff**

(10) **Patent No.:** **US D920,610 S**

(45) **Date of Patent:** **\*\* May 25, 2021**

(54) **ELECTRIC VACUUM CLEANER**

(71) Applicant: **Würth International AG**, Chur (CH)

(72) Inventor: **Louisa Aschoff**, Künzelsau (DE)

(\*\*) Term: **15 Years**

(21) Appl. No.: **35/509,086**

(22) Filed: **Mar. 18, 2020**

(80) **Hague Agreement Data**

Int. Filing Date: **Mar. 18, 2020**

Int. Reg. No.: **DM/207033**

Int. Reg. Date: **Mar. 18, 2020**

Int. Reg. Pub. Date: **Apr. 17, 2020**

(51) **LOC (13) Cl.** ..... **15-05**

(52) **U.S. Cl.**

USPC ..... **D32/21**

(58) **Field of Classification Search**

USPC ..... D32/17-18, 21-22, 31, 34, 69-70, 7

CPC ..... A47L 11/34; A47L 11/29; A47L 11/30;

A47L 7/0019; A47L 7/0004; A47L

7/0023; A47L 9/00; A47L 9/1409; A47L

5/28; A47L 5/38

See application file for complete search history.

(56) **References Cited**

**U.S. PATENT DOCUMENTS**

D558,410 S \* 12/2007 Hill ..... D32/21

D725,329 S \* 3/2015 Aglassinger ..... D32/21

D876,734 S \* 2/2020 Chen ..... D32/21  
D905,358 S \* 12/2020 Suzuki ..... D32/21  
D905,359 S \* 12/2020 Sun ..... D32/21  
D912,342 S \* 3/2021 Liu ..... D32/21  
D912,343 S \* 3/2021 Liu ..... D32/21  
D913,611 S \* 3/2021 Ma ..... D32/21  
2018/0220861 A1 \* 8/2018 Zhang ..... A47L 7/0023  
2019/0380549 A1 \* 12/2019 Liu ..... B01D 46/2411  
2020/0069126 A1 \* 3/2020 Mantes ..... A47L 9/127

\* cited by examiner

*Primary Examiner* — Michael A. Pratt

(57) **CLAIM**

The ornamental design for an electric vacuum cleaner, as shown and described.

**DESCRIPTION**

1. Electric vacuum cleaner

1.1: Rear

1.2: Right

1.3: Front

1.4: Perspective

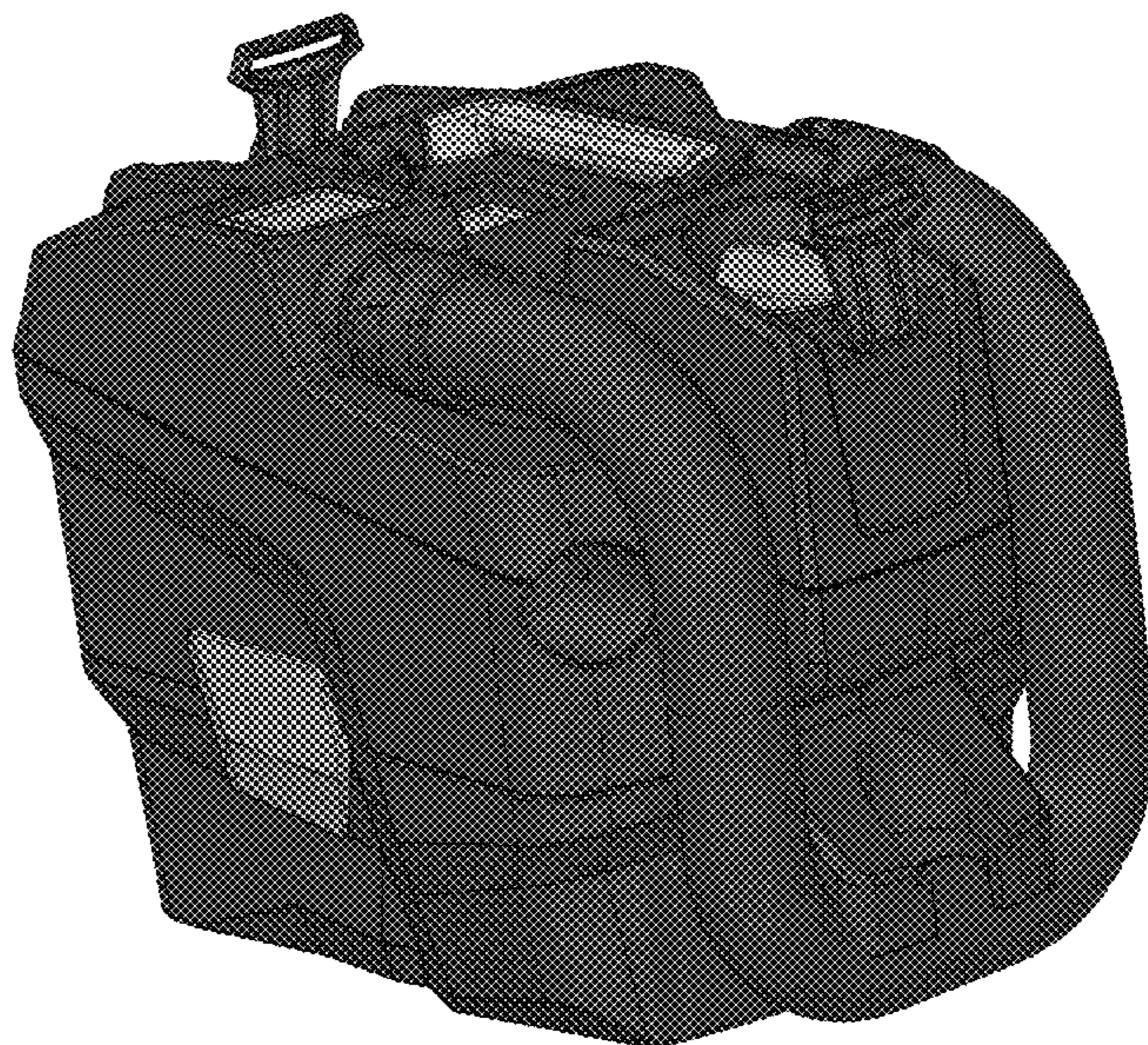
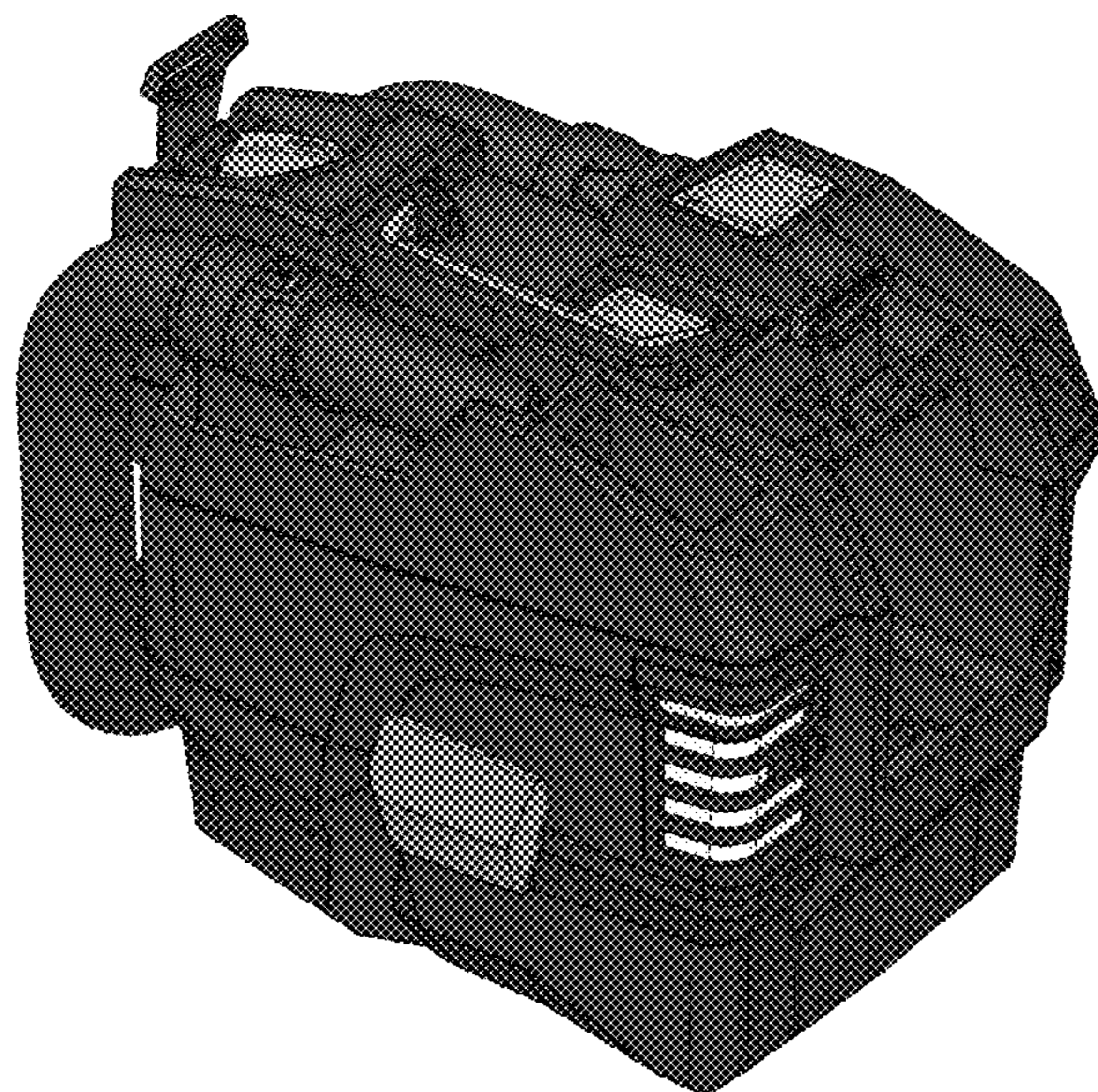
1.5: Bottom

1.6: Top

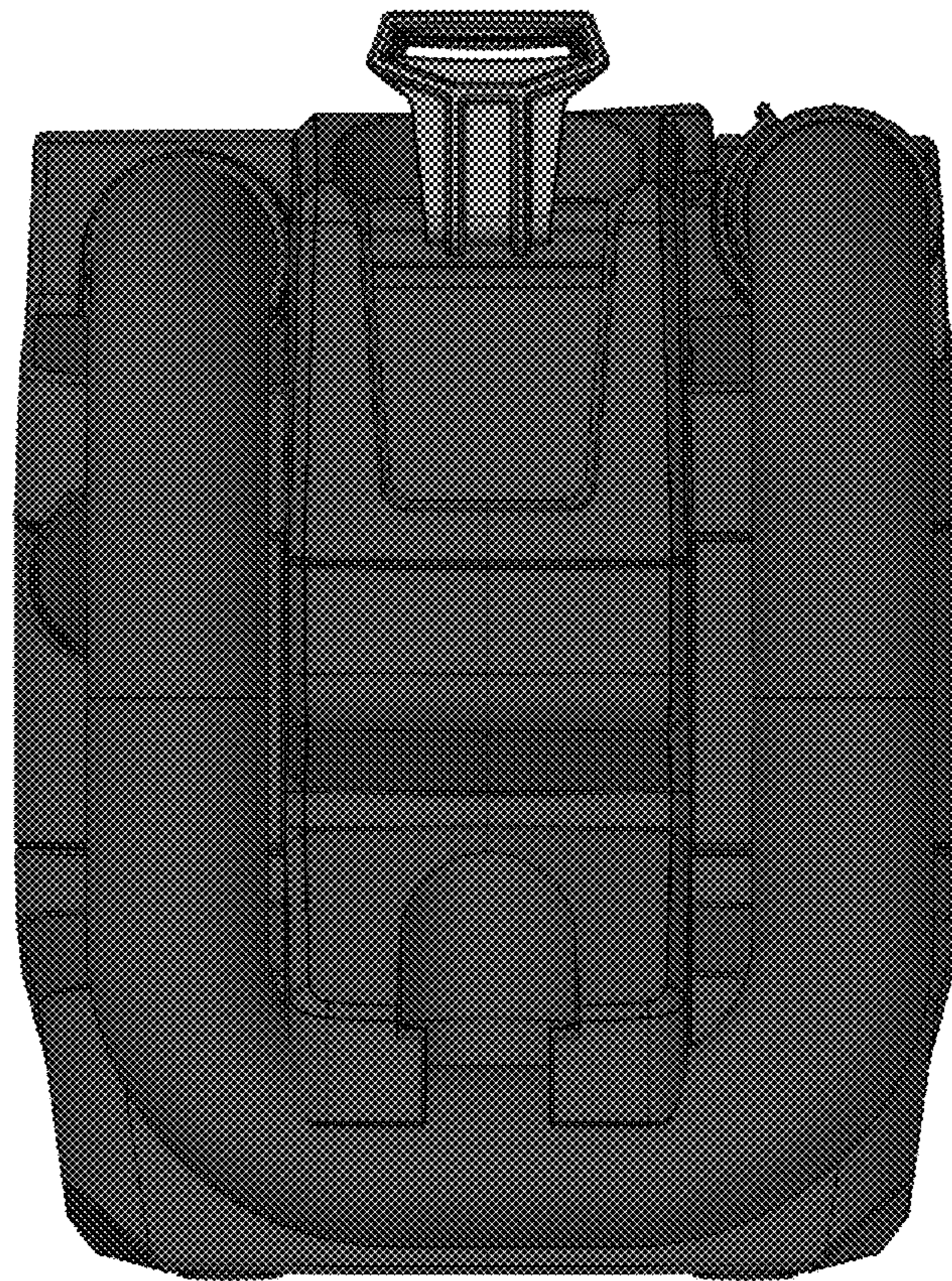
1.7: Left

1.8: Perspective

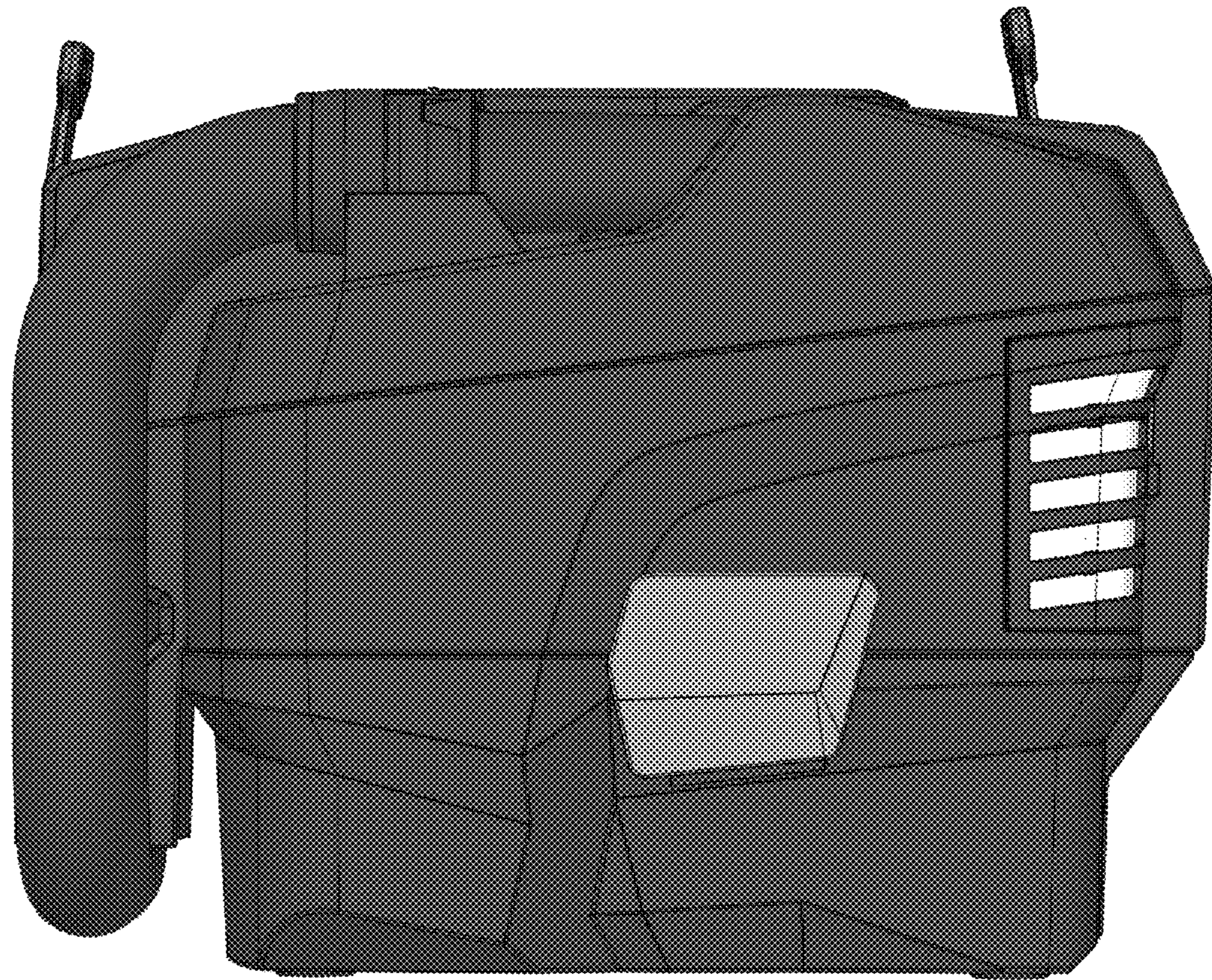
**1 Claim, 8 Drawing Sheets**



1.1



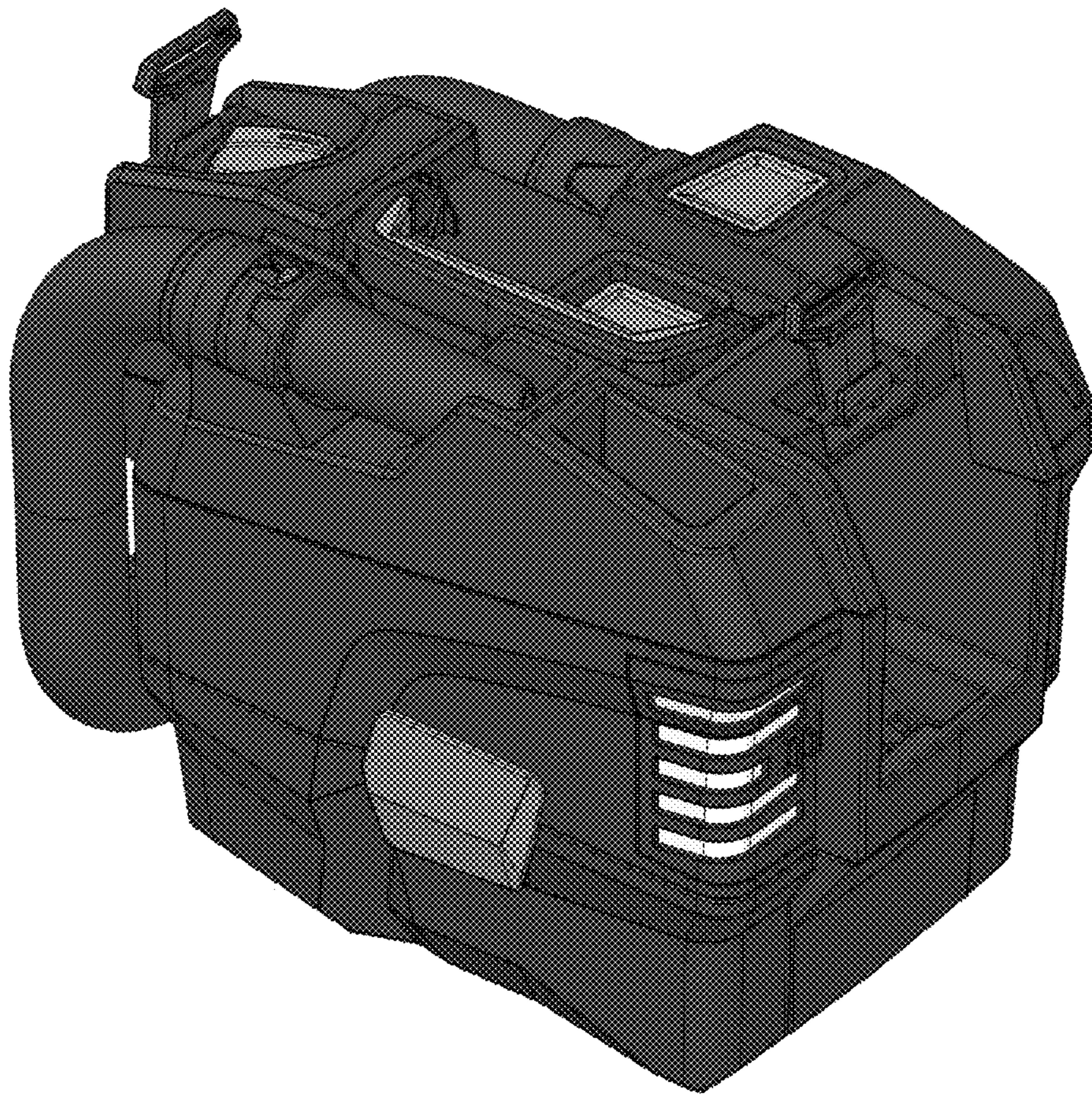
1.2



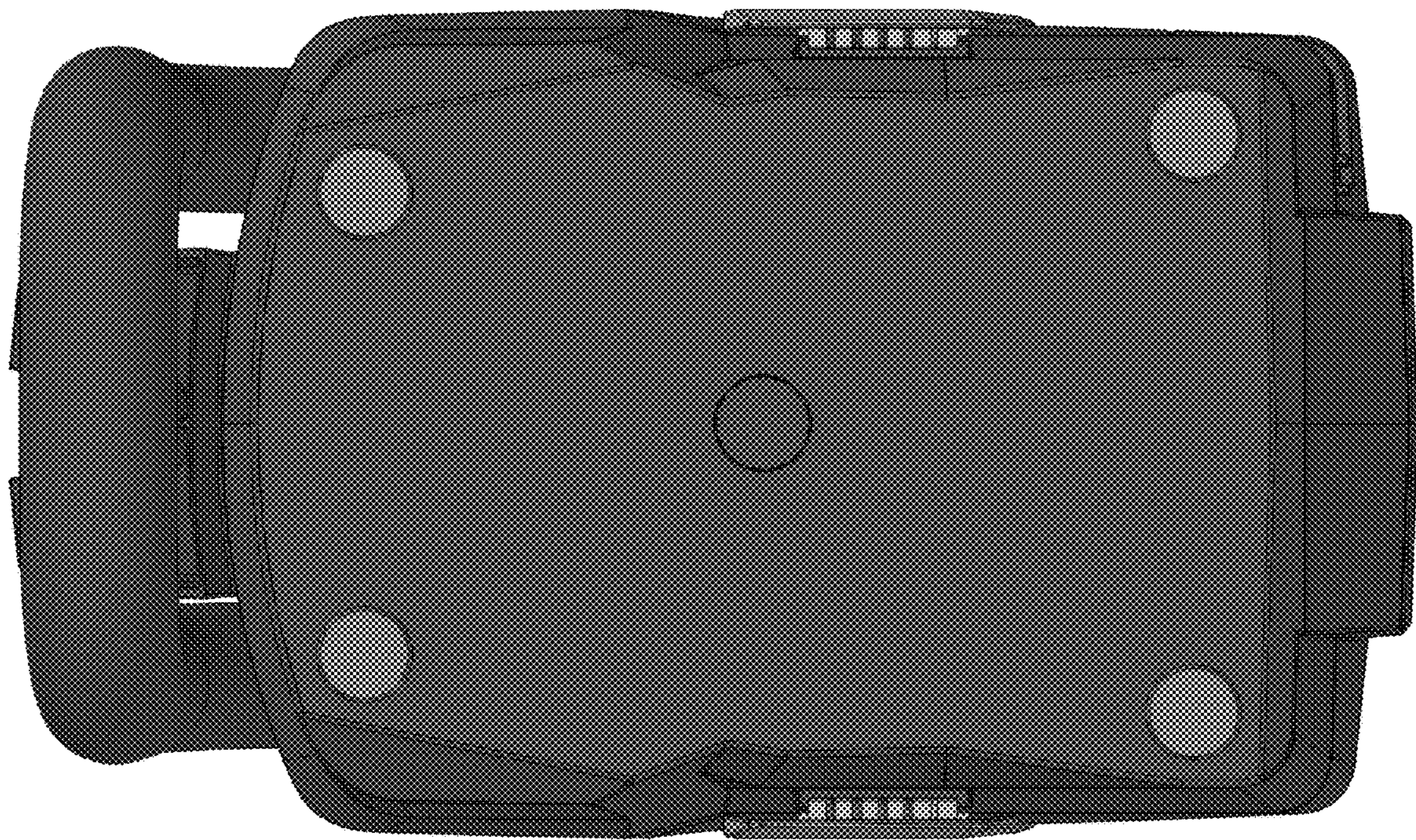
1.3



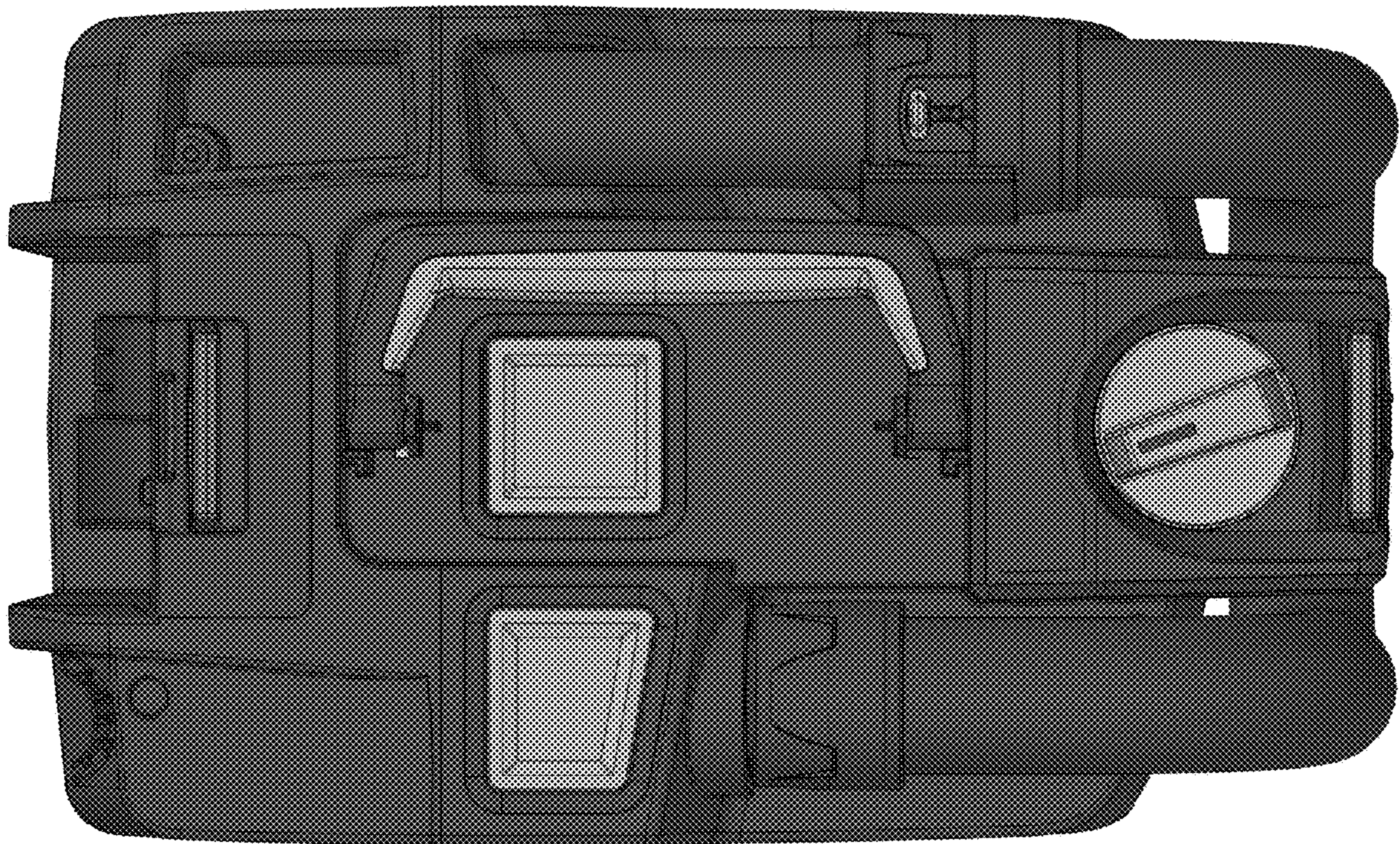
1.4



1.5



1.6



1.7





1.8

