



US00D920609S

(12) **United States Design Patent**
Ma

(10) **Patent No.:** **US D920,609 S**

(45) **Date of Patent:** **** May 25, 2021**

(54) **VACUUM CLEANER**

(71) Applicant: **Suzhou Jimo Technology Co., Ltd,**
Suzhou (CN)

(72) Inventor: **Chaoliang Ma,** Suzhou (CN)

(73) Assignee: **SUZHOU JIMO TECHNOLOGY**
CO., LTD, Suzhou (CN)

(**) Term: **15 Years**

(21) Appl. No.: **29/736,774**

(22) Filed: **Jun. 3, 2020**

(30) **Foreign Application Priority Data**

May 22, 2020 (CN) 202030242558.7

(51) **LOC (13) Cl.** **15-05**

(52) **U.S. Cl.**
USPC **D32/21**

(58) **Field of Classification Search**

USPC D32/21, 17, 22, 23, 31, 30, 32, 34;
15/320, 344, 329, 347, 327.1, 327.2,
15/327.5, 327.6, 327.7, 352-353, DIG. 1,
15/DIG. 8, 363; 55/337, 429, 345,
55/DIG. 3, 459.1

CPC A47L 5/24; A47L 5/28; A47L 2201/04;
A47L 2201/00; A47L 2201/024; A47L
5/26; A47L 9/322; A47L 9/325; A47L
9/327; A47L 11/4075

See application file for complete search history.

(56) **References Cited**

U.S. PATENT DOCUMENTS

D731,130 S * 6/2015 Dyson D32/18
D738,584 S * 9/2015 Niedzwecki D32/22
D789,006 S 6/2017 Ricica
D792,040 S 7/2017 Meyer et al.
D796,129 S 8/2017 Jang et al.

D798,009 S * 9/2017 Salagnac D32/22
D800,980 S * 10/2017 Carter D32/21
D814,723 S * 4/2018 Palladino D32/31
D833,092 S 11/2018 Samtani
D838,068 S 1/2019 Bond
D844,918 S * 4/2019 Kim D32/34
2012/0079671 A1 * 4/2012 Stickney A47L 5/28
15/344
2015/0033498 A1 * 2/2015 McVey A47L 9/04
15/363

(Continued)

Primary Examiner — Mark Booker

(57) **CLAIM**

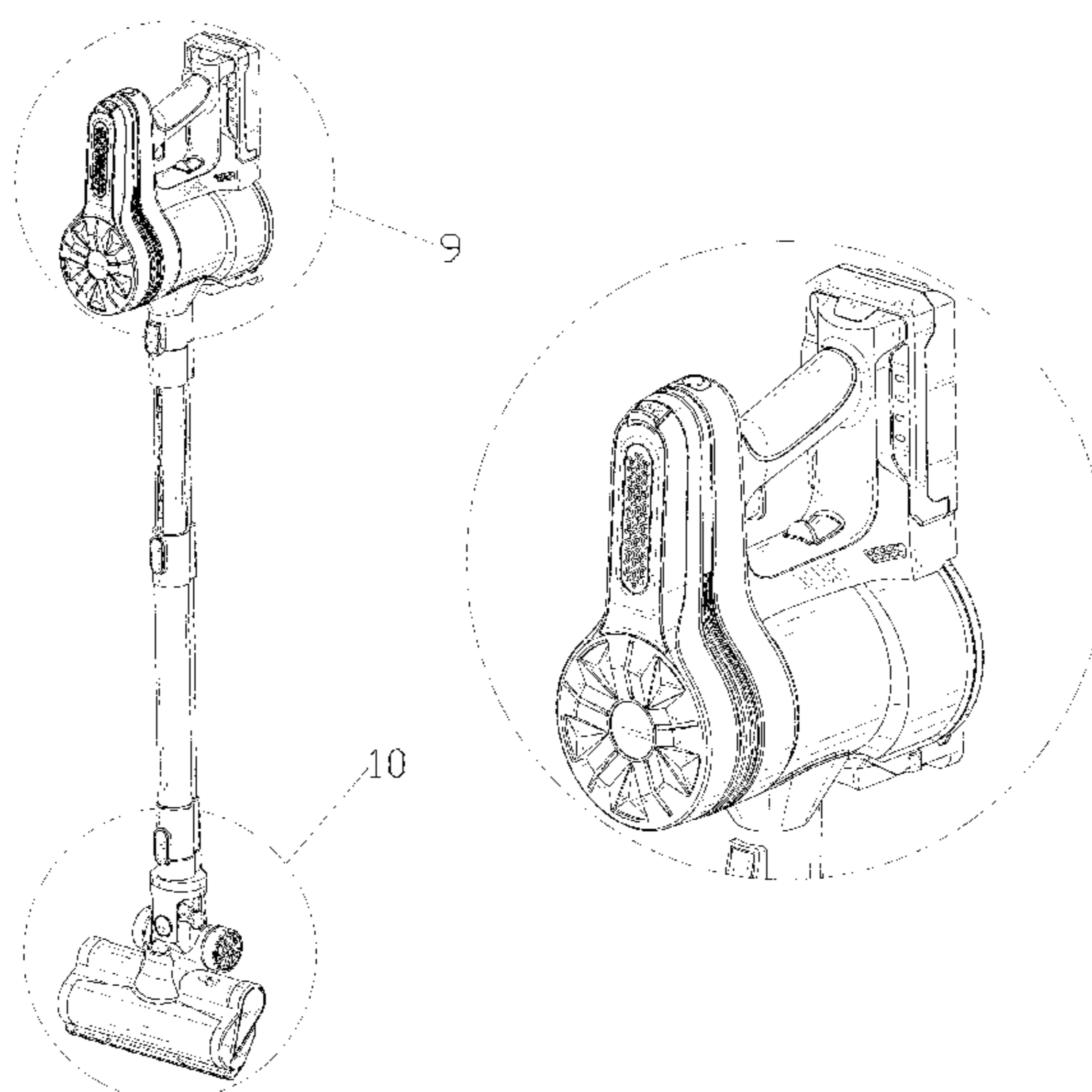
The ornamental design for a vacuum cleaner, as shown and described.

DESCRIPTION

FIG. 1 is a perspective view of a vacuum cleaner showing my new design;
FIG. 2 is another perspective view thereof;
FIG. 3 is a front elevational view thereof;
FIG. 4 is a rear elevational view thereof;
FIG. 5 is a left side elevational view thereof;
FIG. 6 is a right side elevational view thereof;
FIG. 7 is a top plan view thereof;
FIG. 8 is a bottom plan view thereof;
FIG. 9 is an enlarged view of the encircled portion 9 of FIG. 1;
FIG. 10 is an enlarged view of the encircled portion 10 of FIG. 1;
FIG. 11 is an enlarged view of the encircled portion 11 of FIG. 2;
FIG. 12 is an enlarged view of the encircled portion 12 of FIG. 2;
FIG. 13 is an enlarged view of FIG. 7; and,
FIG. 14 is an enlarged view of FIG. 8.

The broken lines in the drawings are for the purpose of illustrating portions of the vacuum cleaner that form no part of the claimed design.

1 Claim, 14 Drawing Sheets



(56)

References Cited

U.S. PATENT DOCUMENTS

2017/0209011 A1* 7/2017 Robinson A47L 9/16
2019/0029484 A1* 1/2019 Zhang A47L 9/246

* cited by examiner

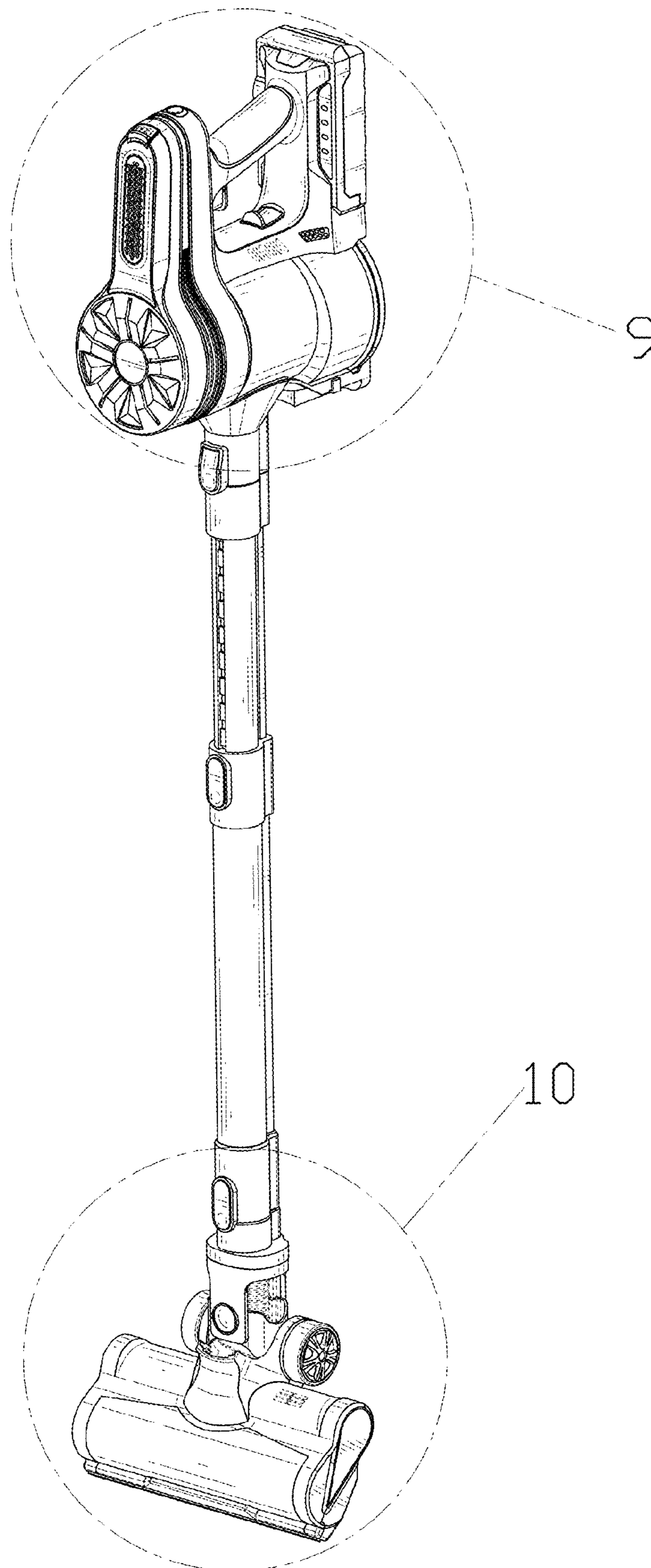


FIG. 1

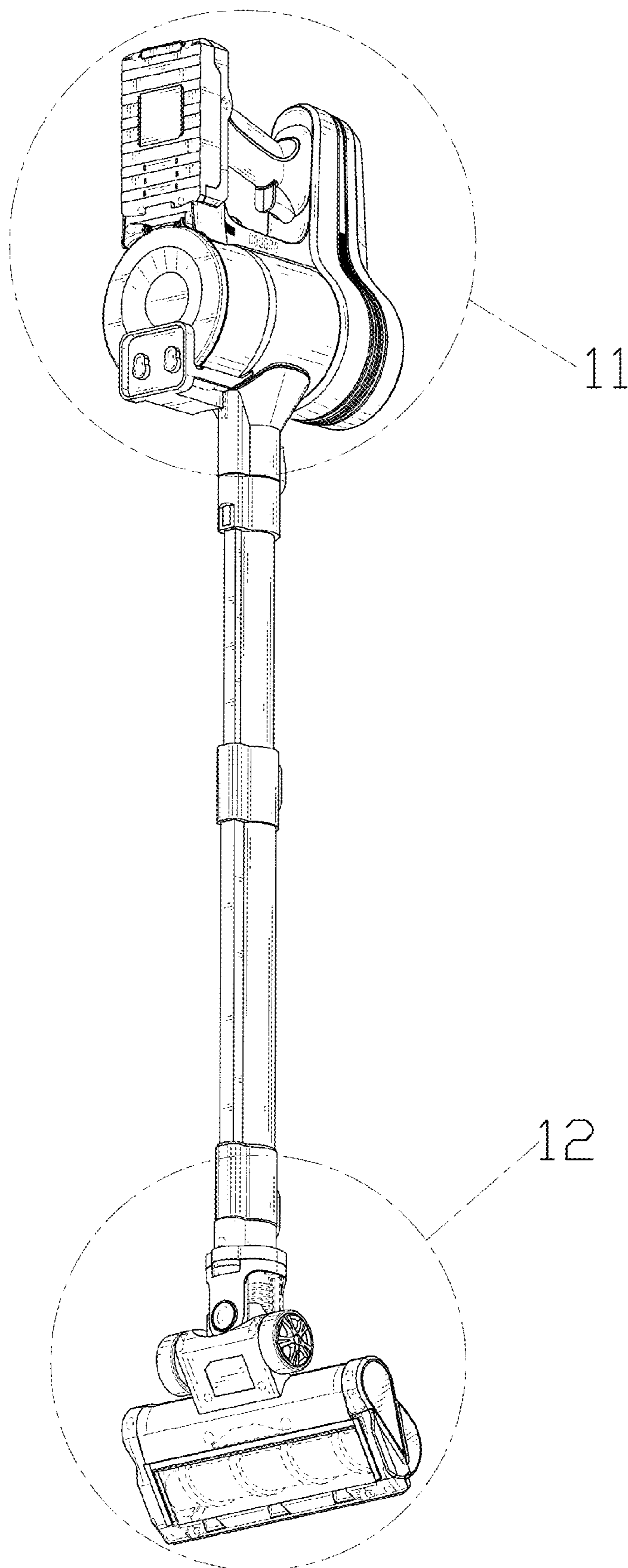


FIG. 2

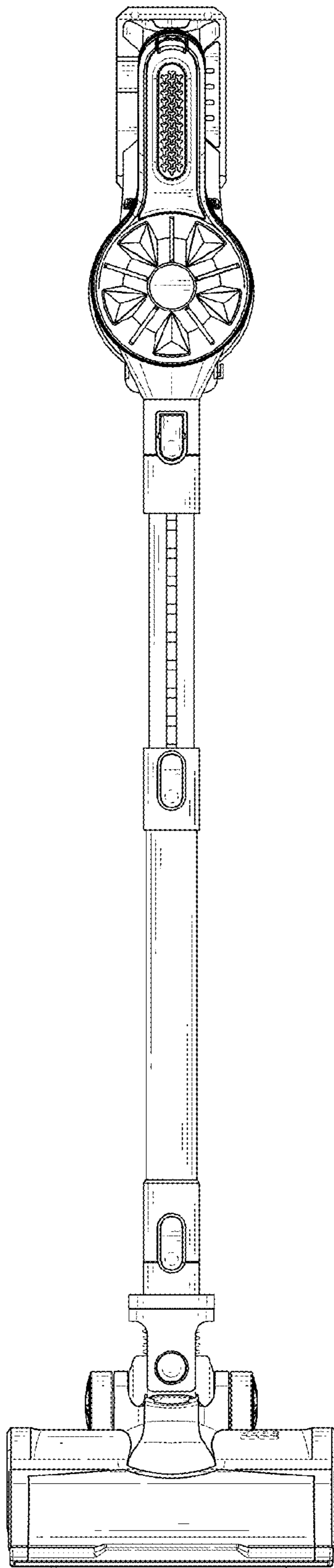


FIG. 3

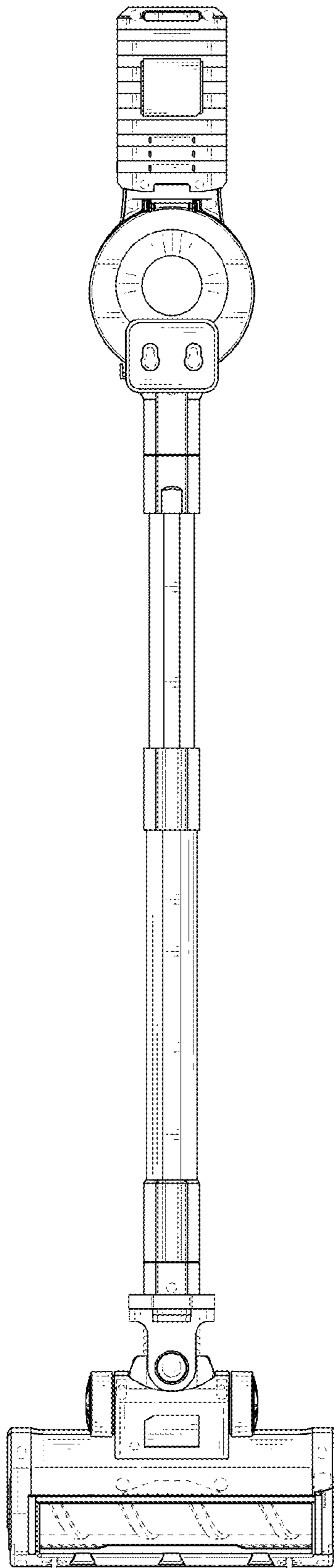


FIG. 4

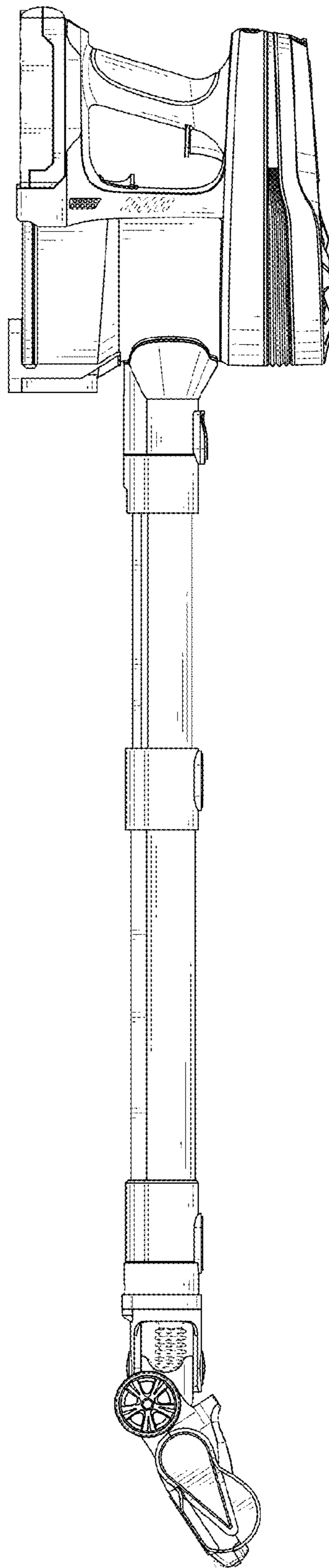


FIG. 5

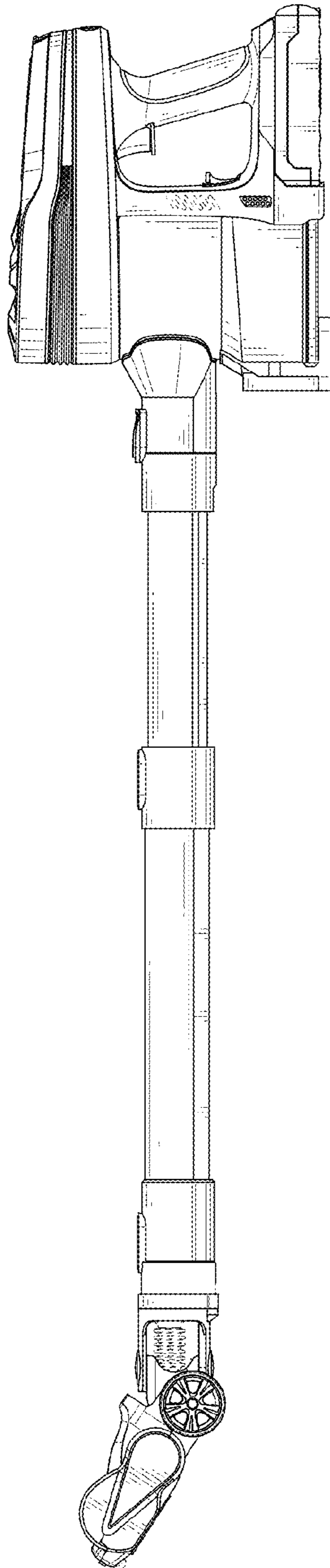


FIG. 6

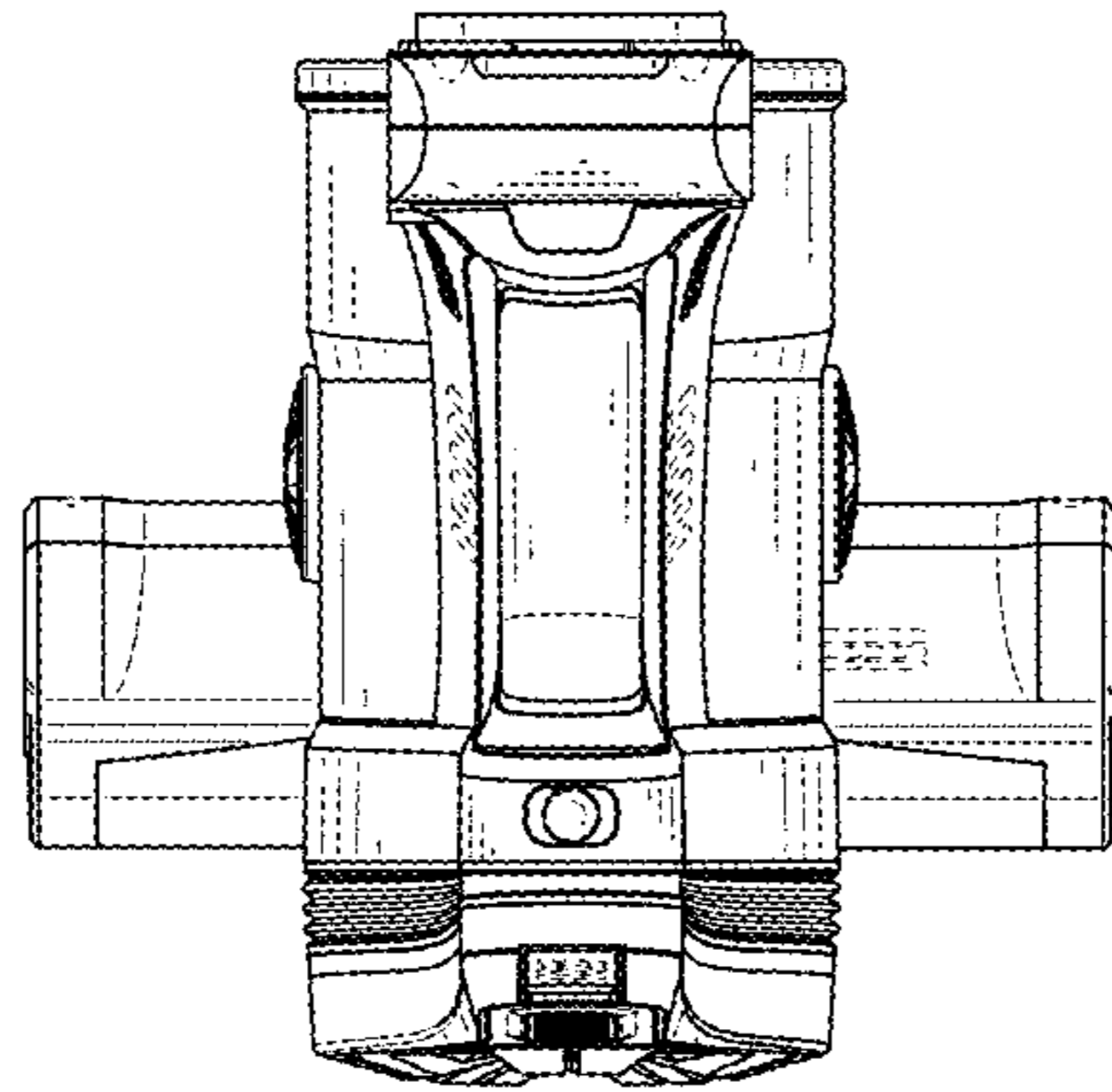


FIG. 7

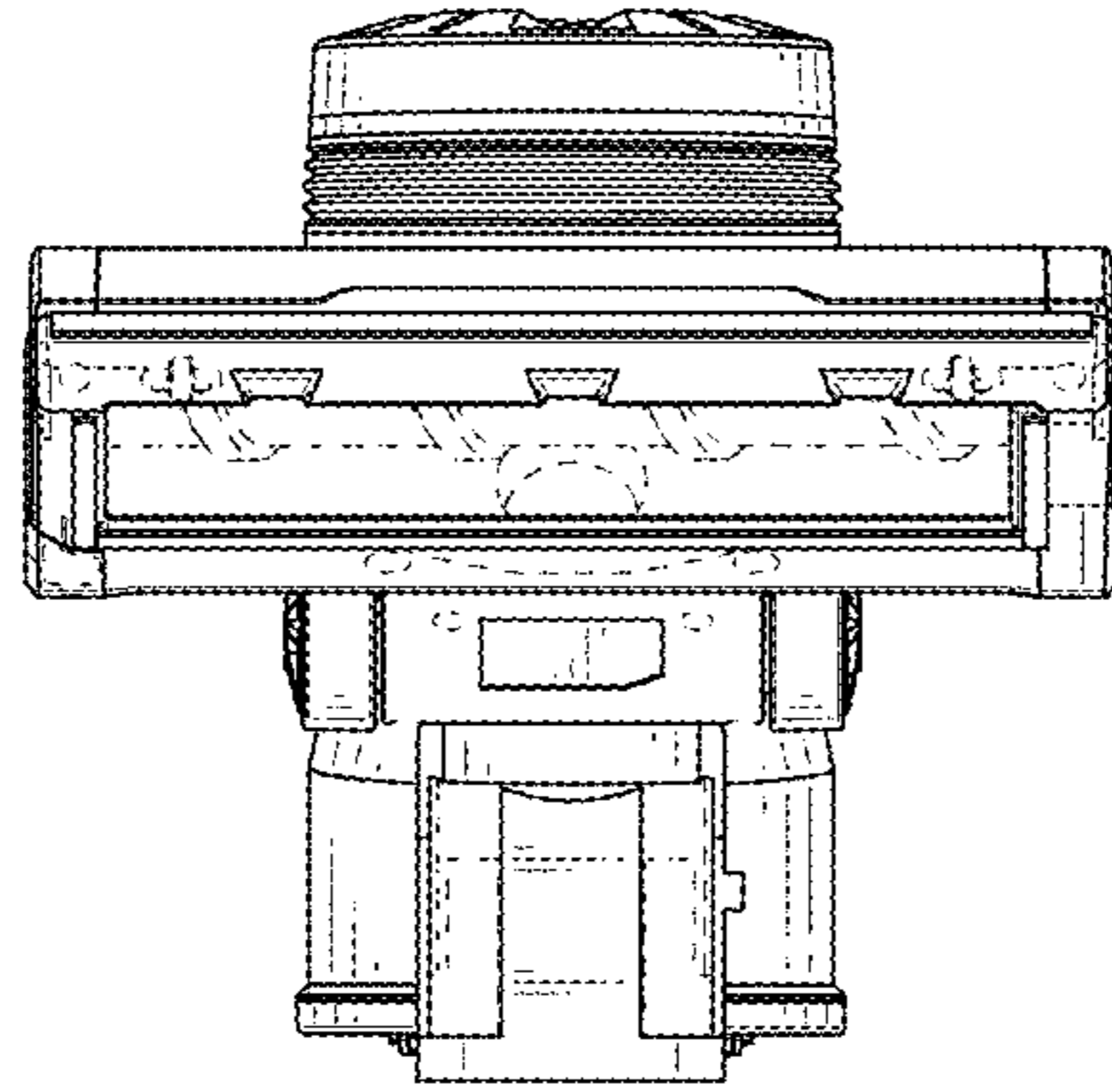


FIG. 8

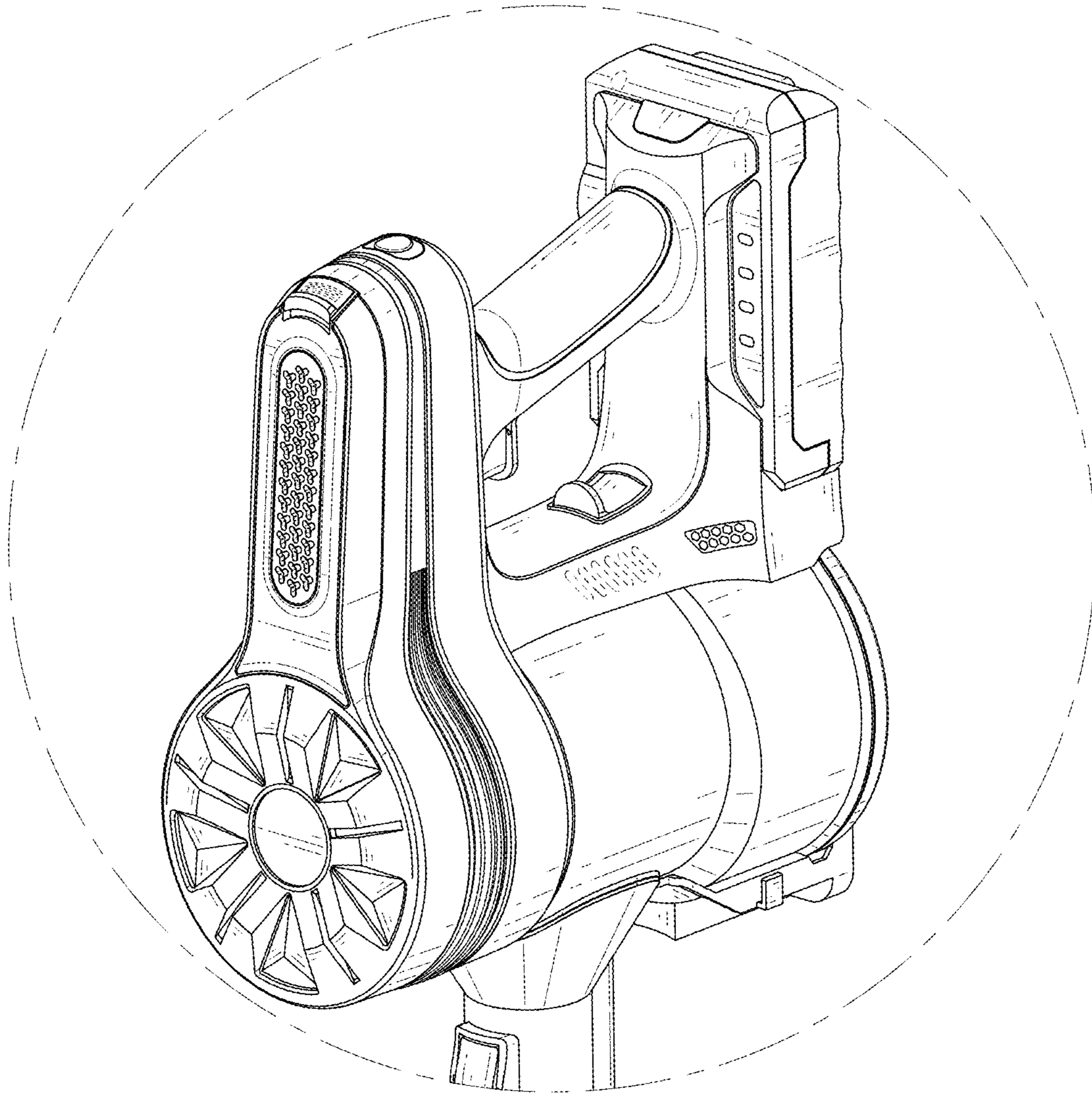


FIG. 9

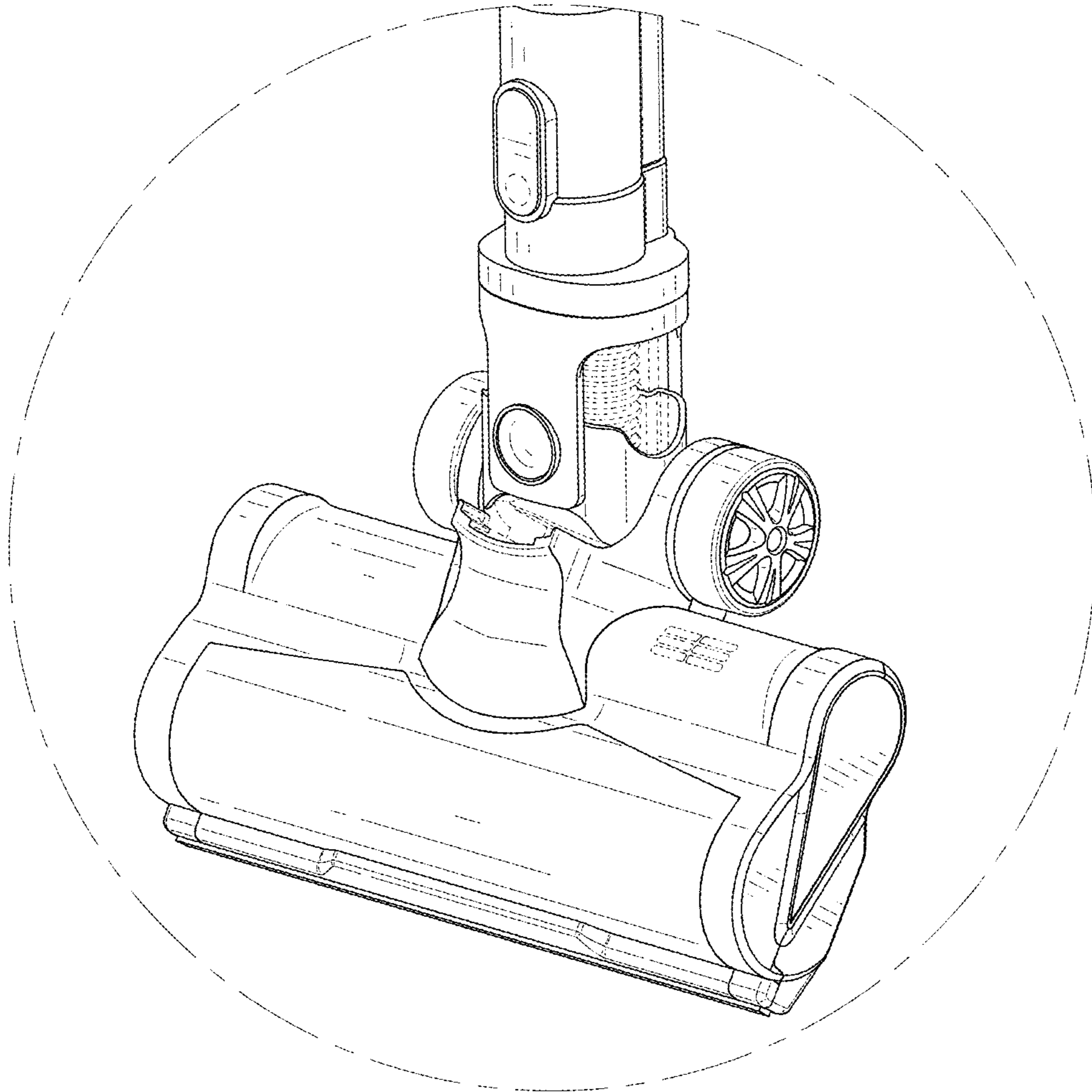


FIG. 10

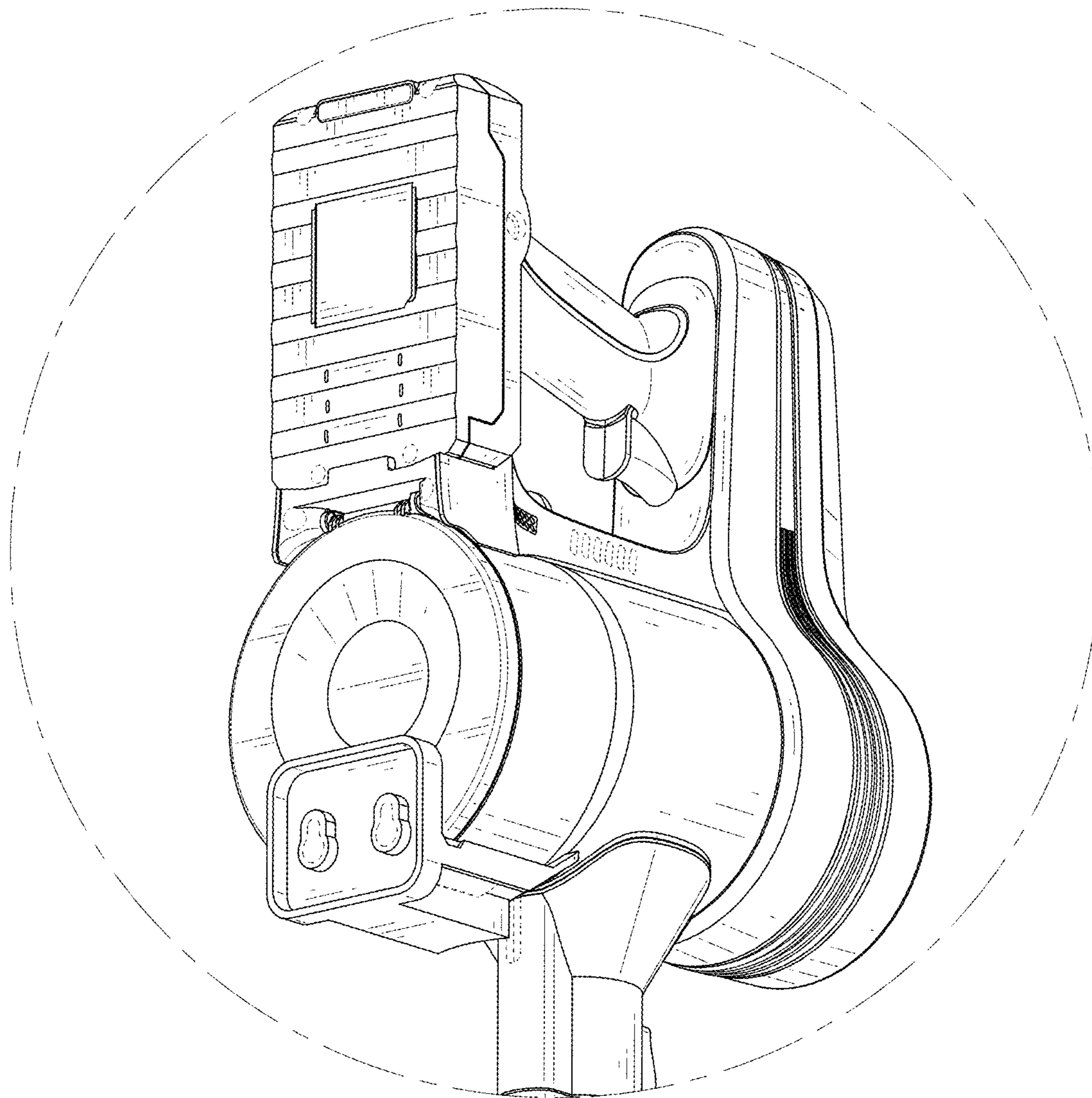


FIG. 11

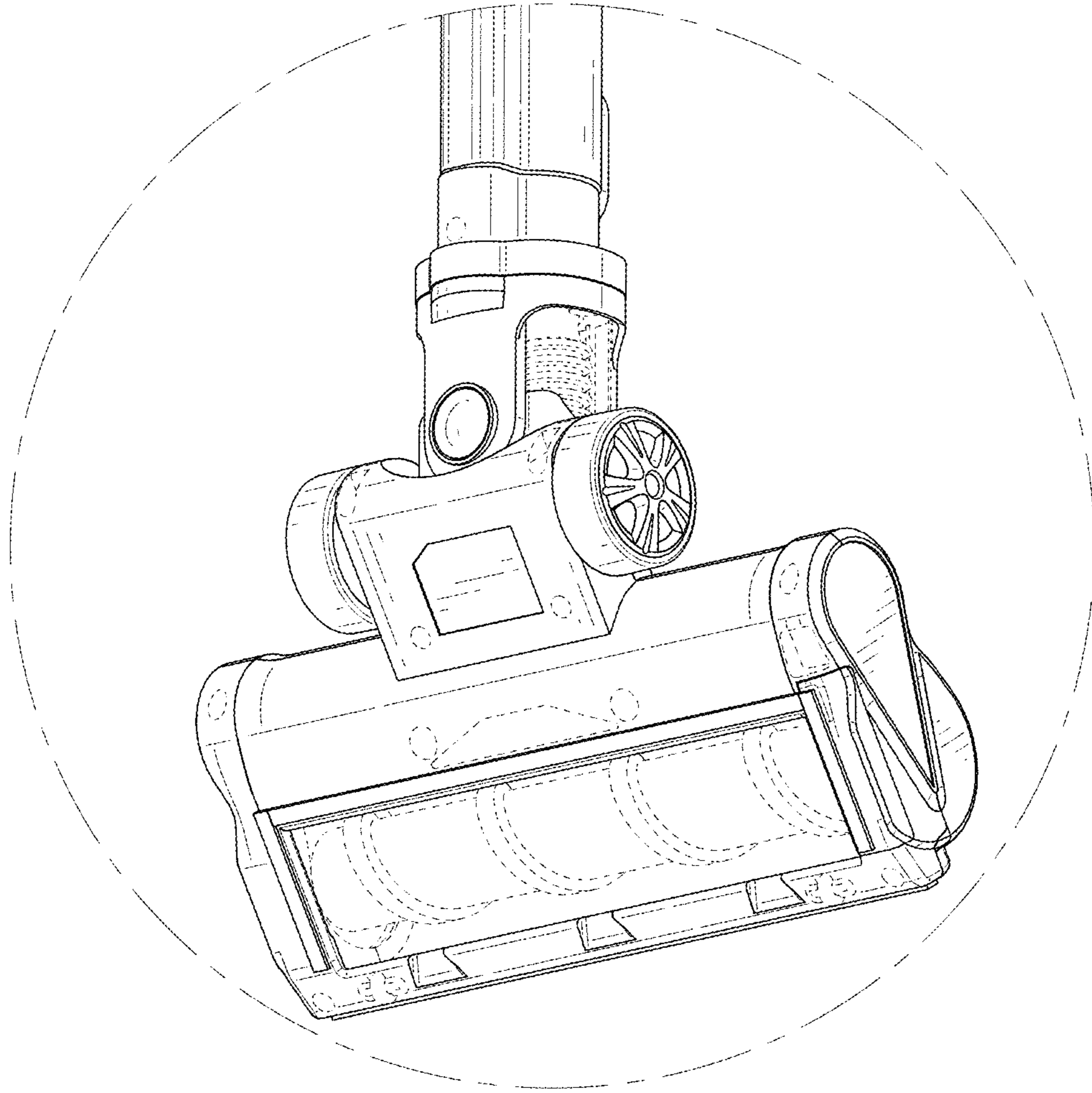


FIG. 12

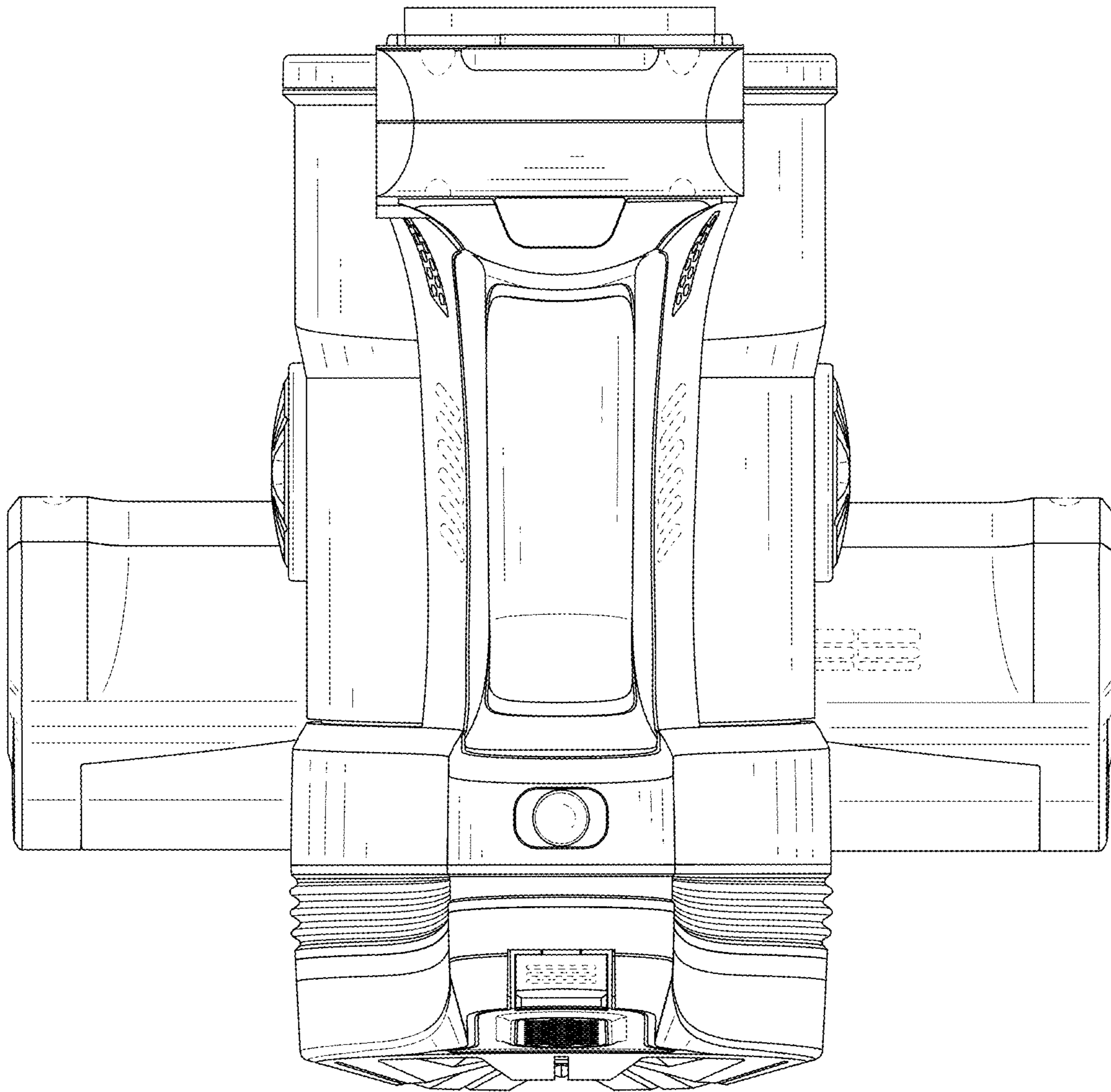


FIG. 13

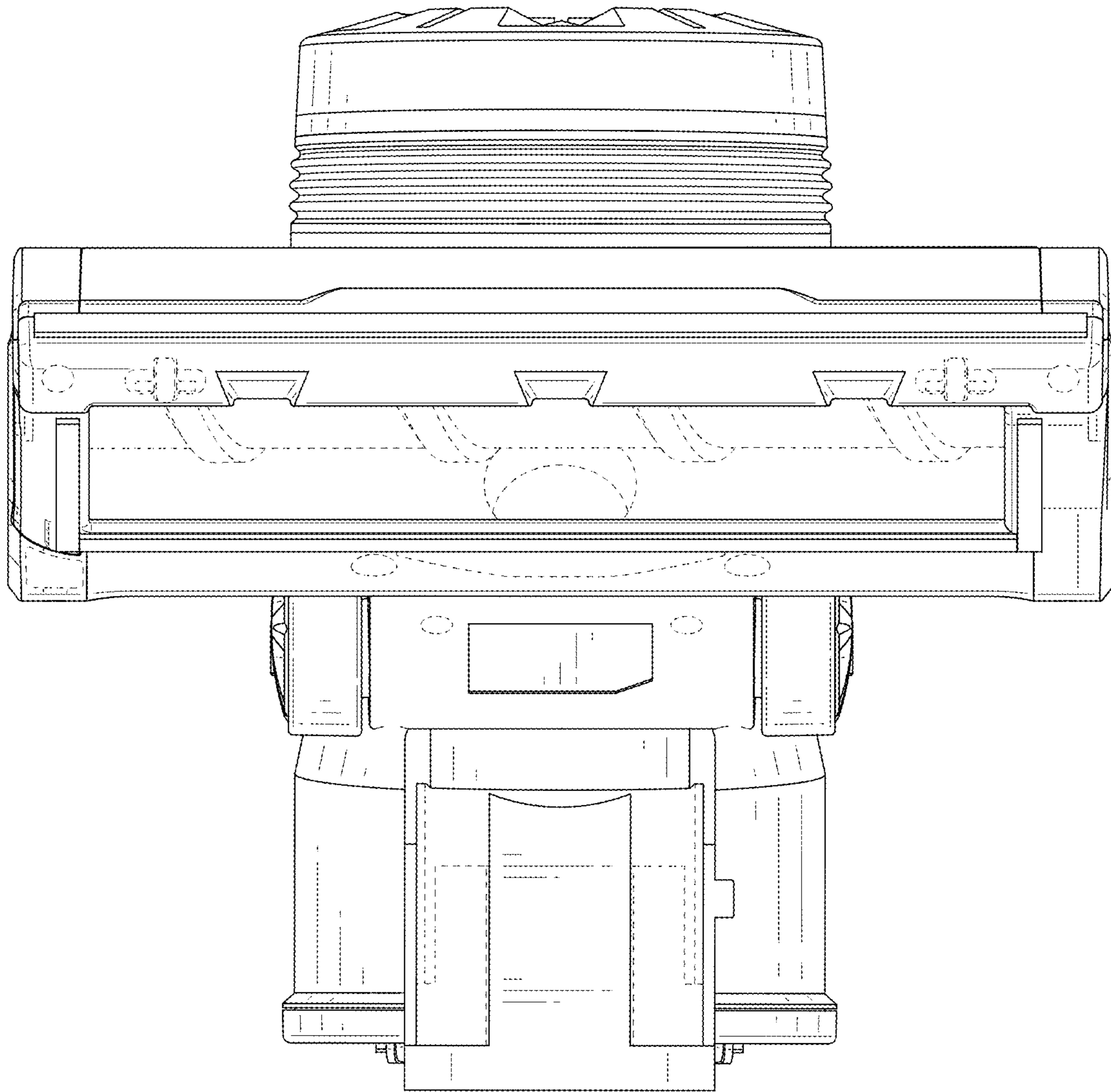


FIG. 14