



US00D920608S

(12) **United States Design Patent** (10) **Patent No.:** **US D920,608 S**  
**Liu** (45) **Date of Patent:** **\*\* May 25, 2021**

- (54) **VACUUM**
- (71) Applicant: **BLACK & DECKER INC.**, New Britain, CT (US)
- (72) Inventor: **Chao Lein Liu**, Taichung (TW)
- (73) Assignee: **BLACK & DECKER INC.**, New Britain, CT (US)
- (\*\*) Term: **15 Years**
- (21) Appl. No.: **29/680,445**
- (22) Filed: **Feb. 15, 2019**
- (51) **LOC (13) Cl.** ..... **15-05**
- (52) **U.S. Cl.**  
USPC ..... **D32/21**
- (58) **Field of Classification Search**  
USPC .... D32/17, 18, 21, 22, 23, 24, 31; D21/526; D3/276, 294  
CPC ... A47L 5/24; A47L 5/225; A47L 5/28; A47L 5/30; A47L 5/34; A47L 5/362; A47L 5/365; A47L 9/0411; A47L 9/1409; A47L 9/1481; A47L 9/16; A47L 9/1608; A47L 9/1675; A47L 9/1683; A47L 9/1691; A47L 9/2852; A47L 9/32; A47L 9/322; A47L 9/325; A47L 11/20; A47L 11/24; A47L 11/26; A47L 11/28; A47L 11/30; A47L 11/302; A47L 11/34; A47L 11/4011; A47L 11/4036; A47L 11/4044; A47L 11/4052; A47L 11/4083; A47L 13/225; A47L 2201/00; A47L 2201/022; A14L 7/0004; A14L 7/0095; B23Q 11/0046; B23Q 11/0071; B25D 16/00; B04C 1/00; B04C

(Continued)

- (56) **References Cited**  
U.S. PATENT DOCUMENTS  
4,910,828 A \* 3/1990 Blase ..... A47L 11/34 15/321  
5,819,365 A \* 10/1998 Huffman ..... A47L 1/08 15/321

(Continued)

- FOREIGN PATENT DOCUMENTS  
CN 305307876 \* 8/2019  
CN 305443340 \* 11/2019  
JP D1650672 \* 1/2020

- OTHER PUBLICATIONS  
Stanley Box-Style-Handheld-Vacuum-Cleaner, available in m.made-in-china.com, announced Year 2020 [online], [site visited Nov. 16, 2020], Internet URL: <https://m.made-in-china.com/product/Box-Style-Handheld-Vacuum-Cleaner-for-Home-Clean-743935222.html> (Year: 2020).\*

(Continued)

*Primary Examiner* — Dana K Weiland  
*Assistant Examiner* — Jennylou M Binas  
(74) *Attorney, Agent, or Firm* — Adan Ayala

- (57) **CLAIM**  
The ornamental design for a vacuum, as shown and described.

**DESCRIPTION**

- FIG. 1 is a front perspective view of a vacuum according to the invention.
- FIG. 2 is a front view of the vacuum of FIG. 1.
- FIG. 3 is a rear view of the vacuum of FIG. 1.
- FIG. 4 is a right side view of the vacuum of FIG. 1.
- FIG. 5 is a left side view of the vacuum of FIG. 1.

(Continued)

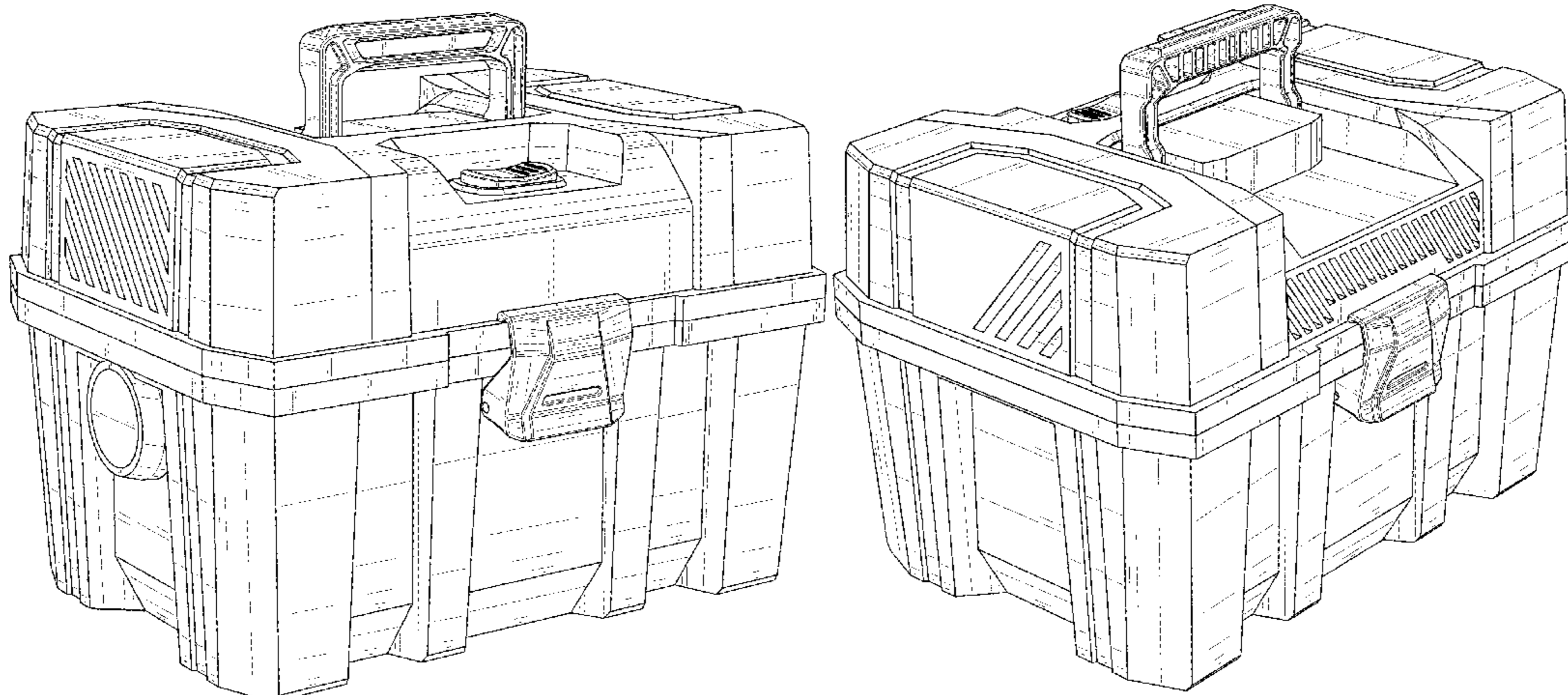


FIG. 6 is a top plan view of the vacuum of FIG. 1. FIG. 7 is a bottom plan view of the vacuum of FIG. 1; and, FIG. 8 is a rear perspective view of the vacuum of FIG. 1. The broken lines illustrate portions of the vacuum and form no part of the claimed design.

**1 Claim, 8 Drawing Sheets**

(58) **Field of Classification Search**

CPC ..... 5/185; D01H 11/005; D01H 5/645; F26B 11/12

See application file for complete search history.

(56) **References Cited**

U.S. PATENT DOCUMENTS

5,826,718	A *	10/1998	Ahern, Jr. ....	B25H 3/02 206/372
D459,073	S *	6/2002	Lee .....	D3/276
D558,410	S *	12/2007	Hill .....	D32/21
D627,968	S *	11/2010	Brunner .....	D3/281
D636,547	S *	4/2011	Moore, Jr. ....	D32/24
D663,952	S *	7/2012	Crevling, Jr. ....	D3/274
D664,354	S *	7/2012	Crevling, Jr. ....	D3/274
D709,698	S *	7/2014	Brunner .....	D3/281
D718,934	S *	12/2014	Lin .....	D3/281
D724,842	S *	3/2015	Whalen .....	D3/294
D738,105	S *	9/2015	Shitrit .....	D3/276
D746,523	S *	12/2015	Jin .....	D32/21
D809,779	S *	2/2018	Muriithi .....	D3/203.3
D842,560	S *	3/2019	Tschopp .....	D32/21
2012/0073077	A1 *	3/2012	Ishikawa .....	A47L 9/2805 15/347
2013/0007979	A1 *	1/2013	Wolfe .....	A47L 5/362 15/323
2018/0220861	A1 *	8/2018	Zhang .....	A47L 7/0023
2019/0380549	A1 *	12/2019	Liu .....	B01D 46/2411
2020/0093341	A1 *	3/2020	Bian .....	A47L 9/00

OTHER PUBLICATIONS

Shop-Vac Tool Box Vacuum Cleaner, available in mscdirect.com, announced Year 2020 [online], [site visited Nov. 16, 2020], Internet URL: <https://www.mscdirect.com/product/details/42964478> (Year: 2020).\*

Craftsmand V20 Cordless Shop Vacuum, available in Amazon.com, customer review oldest date Apr. 9, 2019 [online], [site visited Nov. 16, 2020], Available from the internet URL: <https://www.amazon.com/CRAFTSMAN-Cordless-Shop-Gallon-CMCV002B/dp/B07MHZJVM4> (Year: 2019).\*

Kobalt 24V Cordless Handheld Vacuum, available in Lowes.com, customer review oldest date Jan. 11, 2019 [online], [site visited Nov. 16, 2020], Available from the internet URL: <https://www.lowes.com/pd/Kobalt-24-Volt-Max-3-Gallon-Cordless-Handheld-Wet-Dry-Shop-Vacuum-Battery-Not-Included/1000638925> (Year: 2019).\*

Dewalt DXV04T, available in Amazon.com, date first available Apr. 4, 2018 [online], [site visited Nov. 16, 2020], Available from the internet URL: [https://www.amazon.com/dp/B07BYHM9NK/ref=cm\\_sw\\_r\\_em\\_apa\\_fabt1\\_78BSFb35ATX7Z?\\_encoding=UTF8&psc=1](https://www.amazon.com/dp/B07BYHM9NK/ref=cm_sw_r_em_apa_fabt1_78BSFb35ATX7Z?_encoding=UTF8&psc=1) (Year: 2018).\*

Husky 16in. Portable Tool Box, available in Homedepot.com, customer review oldest date Nov. 27, 2017 [online], [site visited Nov. 16, 2020], Available from the internet URL: <https://www.homedepot.com/p/Husky-16-in-Plastic-Portable-Tool-Box-with-Metal-Latch-1-6-mm-in-Black-THD2015-03/301844757> (Year: 2017).\*

Dewalt DCV580H, available in Amazon.com, customer review oldest date Oct. 5, 2017 [online], [site visited Nov. 16, 2020], Available from the internet URL: [https://www.amazon.com/Dewalt-DCV580H-Cordless-Wet-Dry-Vacuum/dp/B00CP8DF3O/ref=psdc\\_553022\\_t2\\_B07BYHM9NK](https://www.amazon.com/Dewalt-DCV580H-Cordless-Wet-Dry-Vacuum/dp/B00CP8DF3O/ref=psdc_553022_t2_B07BYHM9NK) (Year: 2017).\*

Milwaukee-0880-20-18-Volt-Cordless-Vacuum, available in Amazon.com, customer review oldest date Nov. 29, 2006 [online], [site visited Nov. 16, 2020], Available from the internet URL: <https://www.amazon.com/Milwaukee-0880-20-18-Volt-Cordless-Vacuum/dp/B001AHMQ90?dchild=1> (Year: 2006).\*

\* cited by examiner



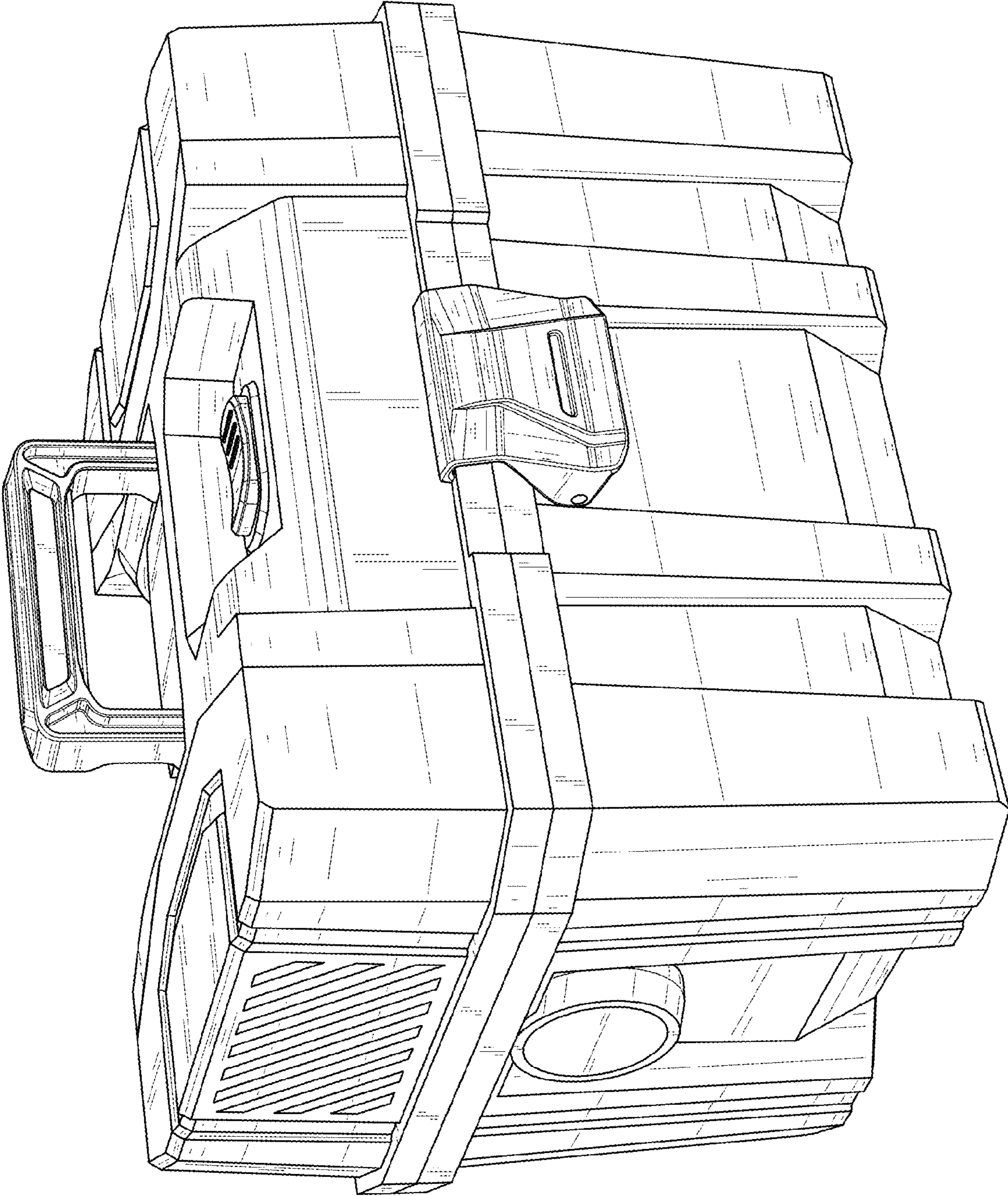


FIG. 1

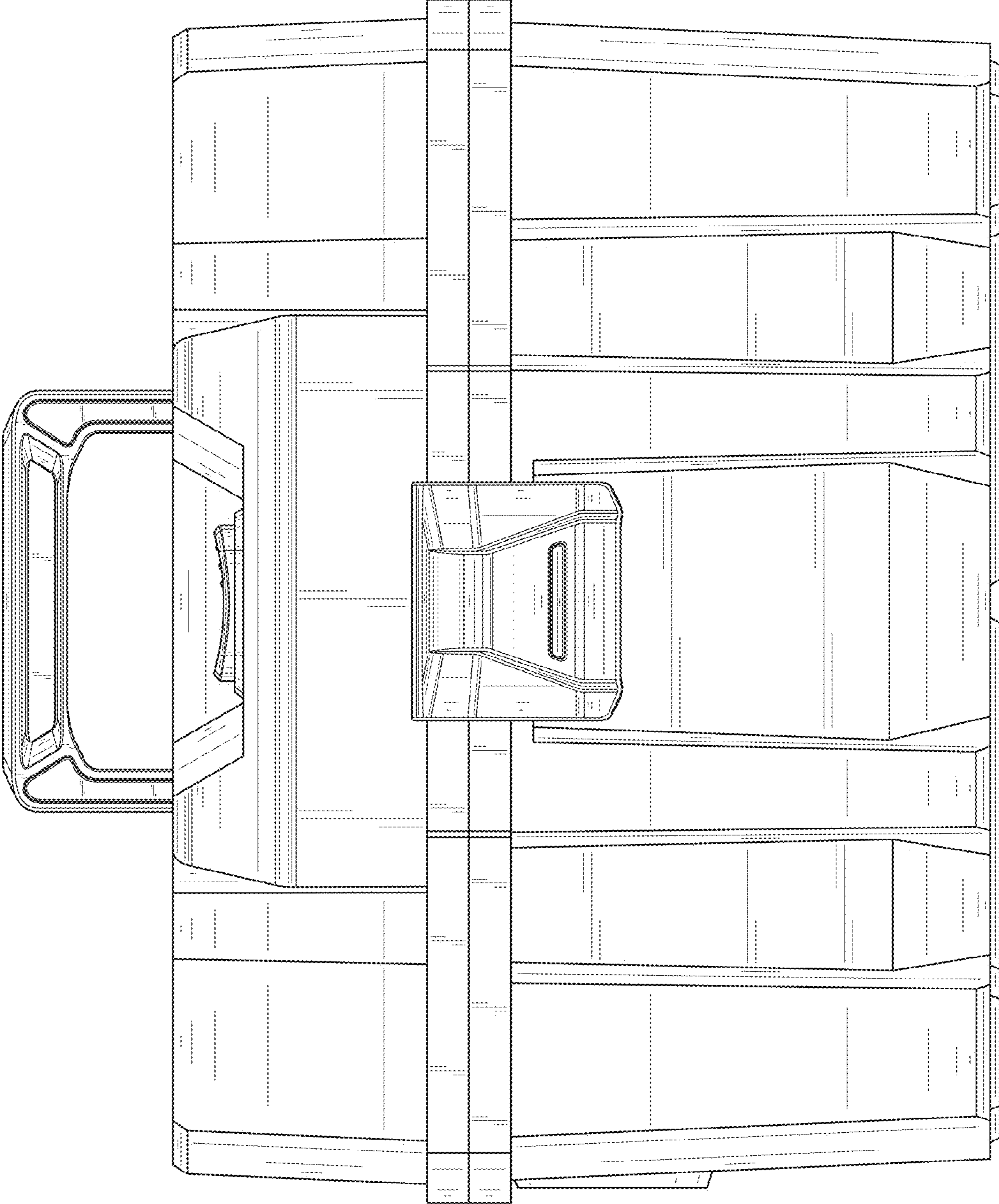


FIG. 2

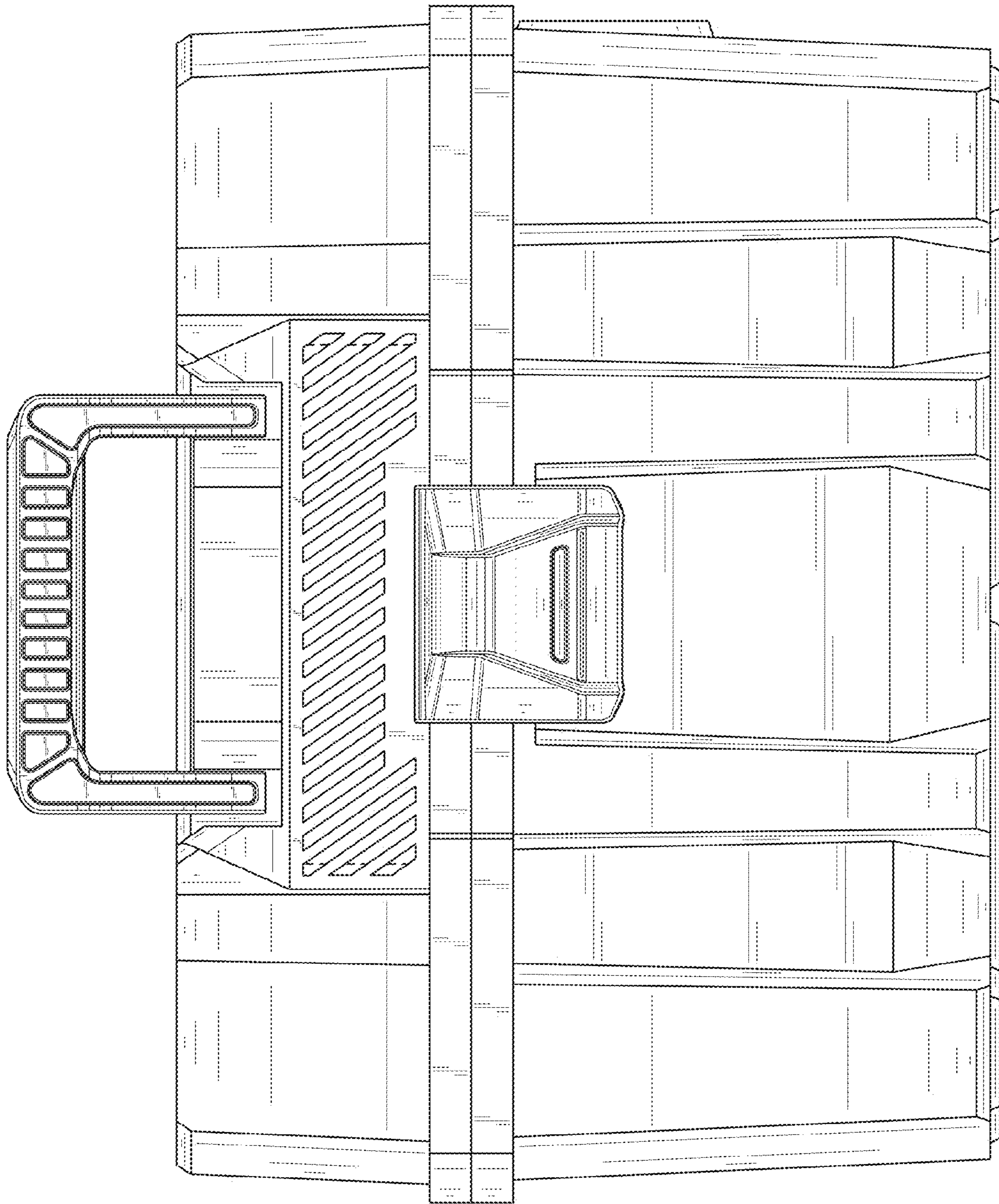


FIG. 3



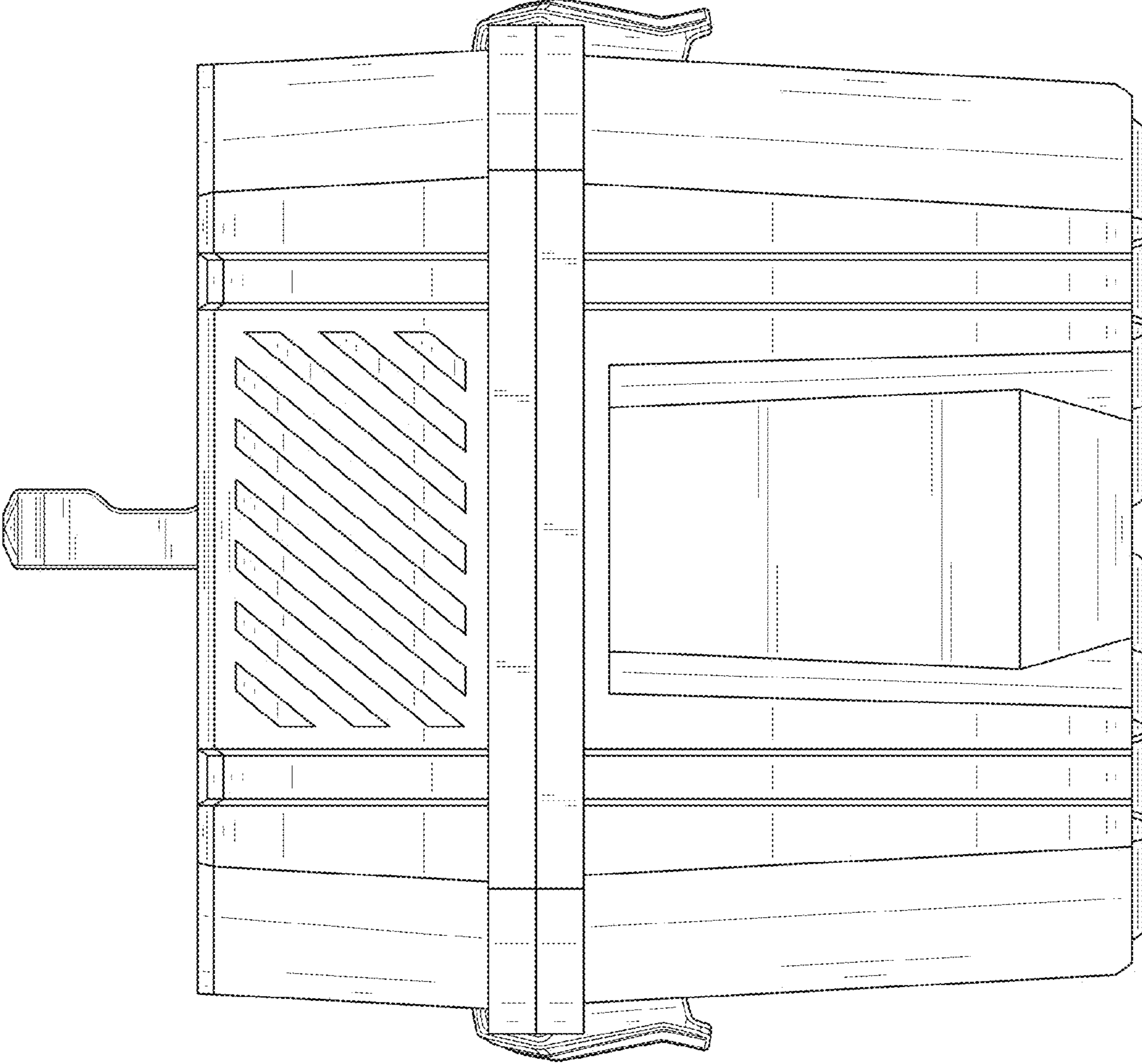


FIG. 4

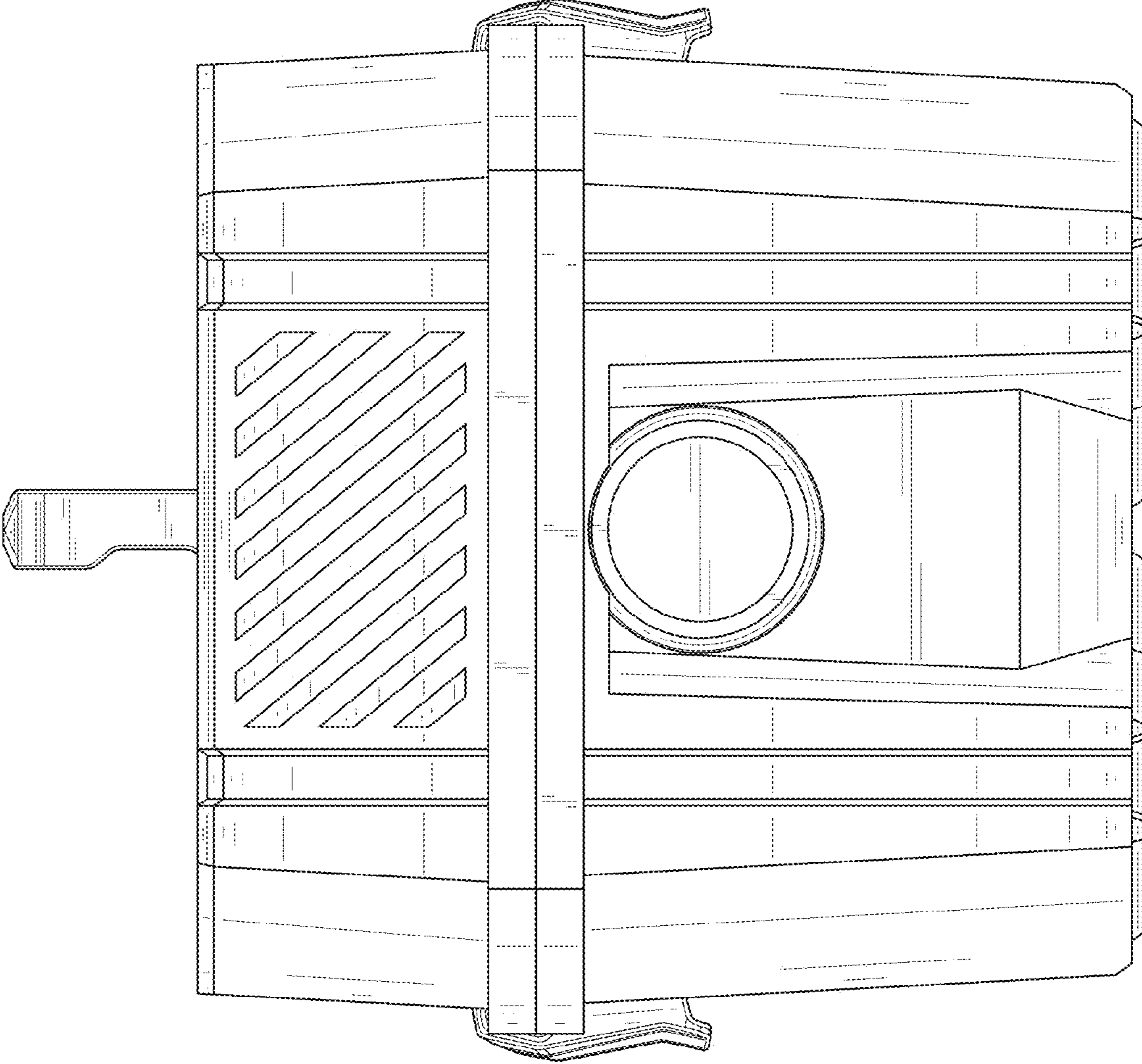


FIG. 5

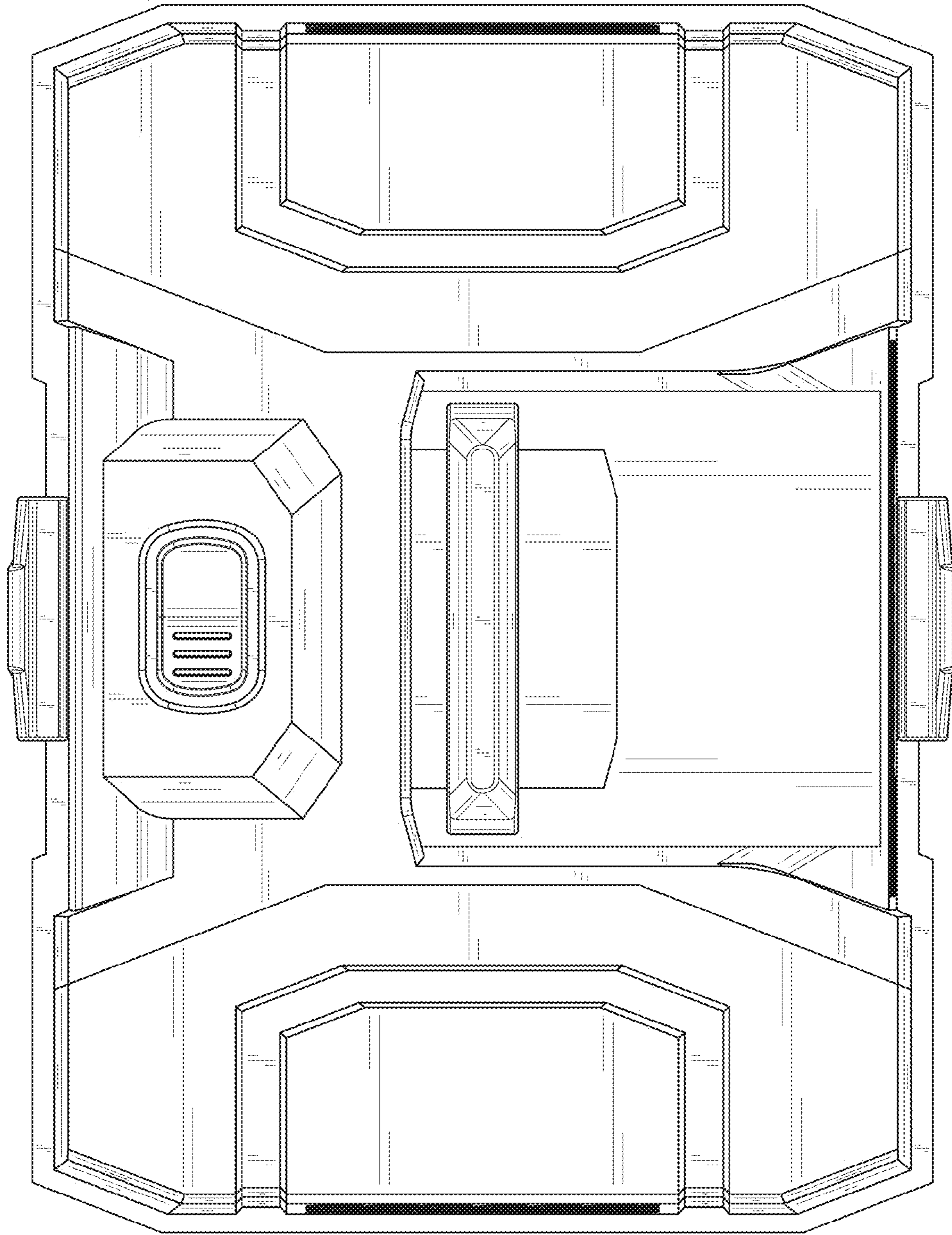


FIG. 6



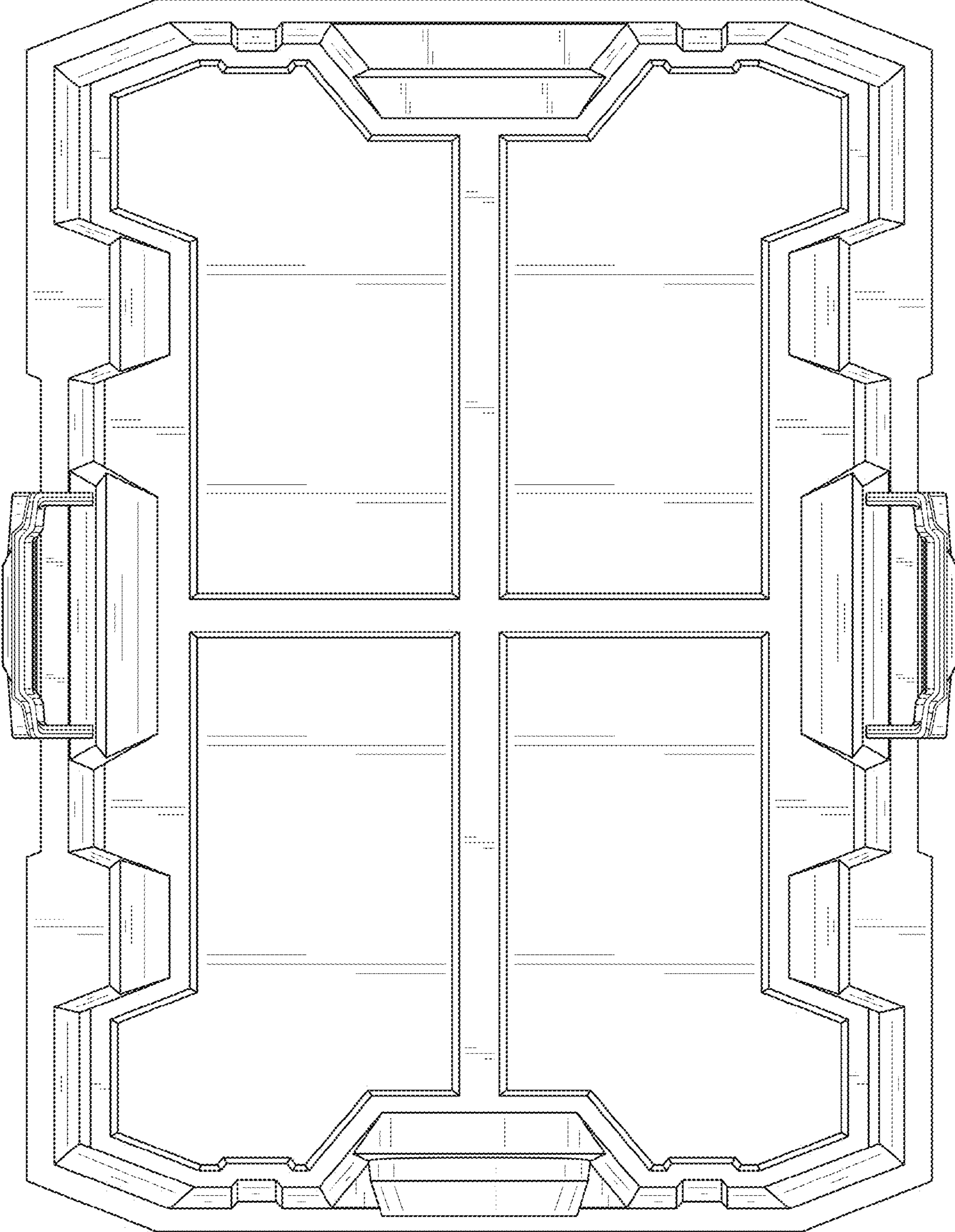


FIG. 7

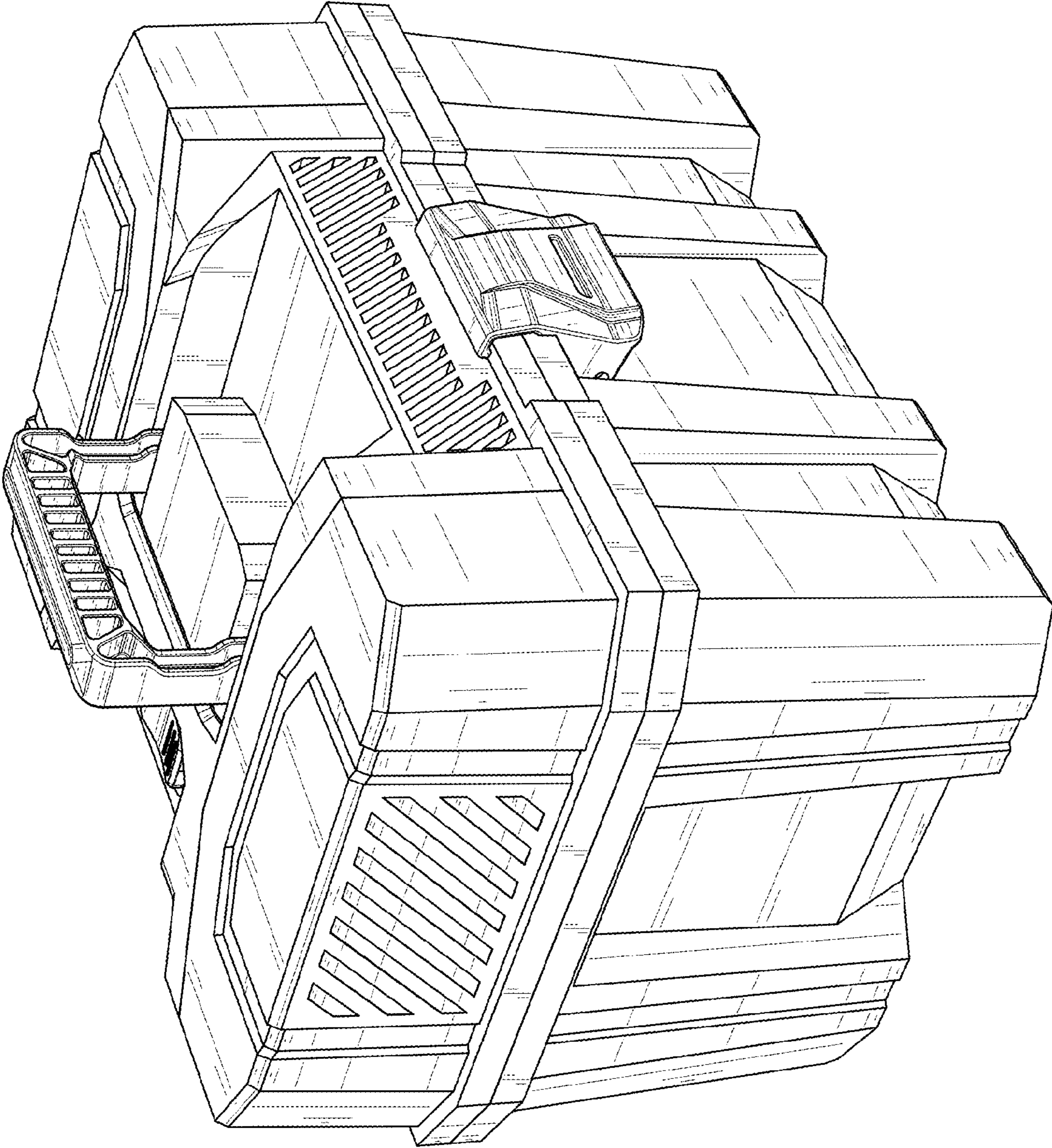


FIG. 8