

US00D920607S

(12) **United States Design Patent** (10) **Patent No.:** **US D920,607 S**
Del Toro et al. (45) **Date of Patent:** **** May 25, 2021**

(54) **PORTABLE CLEANER**

(71) Applicant: **TTi (Macao Commercial Offshore) Limited**, Macau (MO)

(72) Inventors: **Israel Del Toro**, Kannapolis, NC (US); **Mohammed Irfan**, Huntersville, NC (US)

(73) Assignee: **Techtronic Floor Care Technology Limited**, Tortola (VG)

(**) Term: **15 Years**

(21) Appl. No.: **29/670,231**

(22) Filed: **Nov. 14, 2018**

(30) **Foreign Application Priority Data**

Jun. 1, 2018 (CN) 201830270757.1

(51) **LOC (13) Cl.** **15-05**

(52) **U.S. Cl.**
USPC **D32/18**

(58) **Field of Classification Search**
USPC D32/15-25, 29, 31-34
CPC . A47L 9/00; A47L 9/0063; A47L 9/32; A47L 9/322; A47L 11/00; A47L 11/22; A47L 11/24; A47L 11/32; A47L 11/4075; A47L 11/4094; A47L 11/20; A47L 11/34; A47L 11/40; A47L 5/24; A47L 5/28; A47L 7/02; A47L 5/225; A47L 5/36; A47L 9/0018; A47L 5/32; A47L 9/0488; A47L 7/0004; A47L 7/0023; A47L 9/0027; A47L 9/0036

See application file for complete search history.

(56) **References Cited**

U.S. PATENT DOCUMENTS

5,237,720 A * 8/1993 Blase A47L 11/34 15/321
D352,146 S 11/1994 Wulff

D381,481 S 7/1997 Medema et al.
5,836,046 A 11/1998 Huffman et al.
D462,488 S 9/2002 Santiago et al.
D467,693 S 12/2002 Kitts
D494,719 S * 8/2004 Rosenzweig D32/31
7,073,226 B1 7/2006 Lenkiewicz et al.
D536,147 S 1/2007 Medema et al.

(Continued)

OTHER PUBLICATIONS

Hoover ONEPWR (on-line), dated Nov. 12, 2019. Retrieved from Internet Jun. 17, 2020, URL: <https://web.archive.org/web/20191112050059/https://www.walmart.com/ip/HOOVER-ONEPWR-Spotless-GO-Cordless-Portable-Carpet-Cleaner-BH12001/788042552> (2 pages) (Year: 2019).*

Primary Examiner — Kimberly Barnes

(74) *Attorney, Agent, or Firm* — Michael Best & Friedrich LLP

(57) **CLAIM**

We claim the ornamental design for a portable cleaner, as shown and described.

DESCRIPTION

FIG. 1 is a perspective view of a portable cleaner showing our new design.

FIG. 2 is a front side view of the portable cleaner of FIG. 1.

FIG. 3 is a back side view of the portable cleaner of FIG. 1.

FIG. 4 is a right side view of the portable cleaner of FIG. 1.

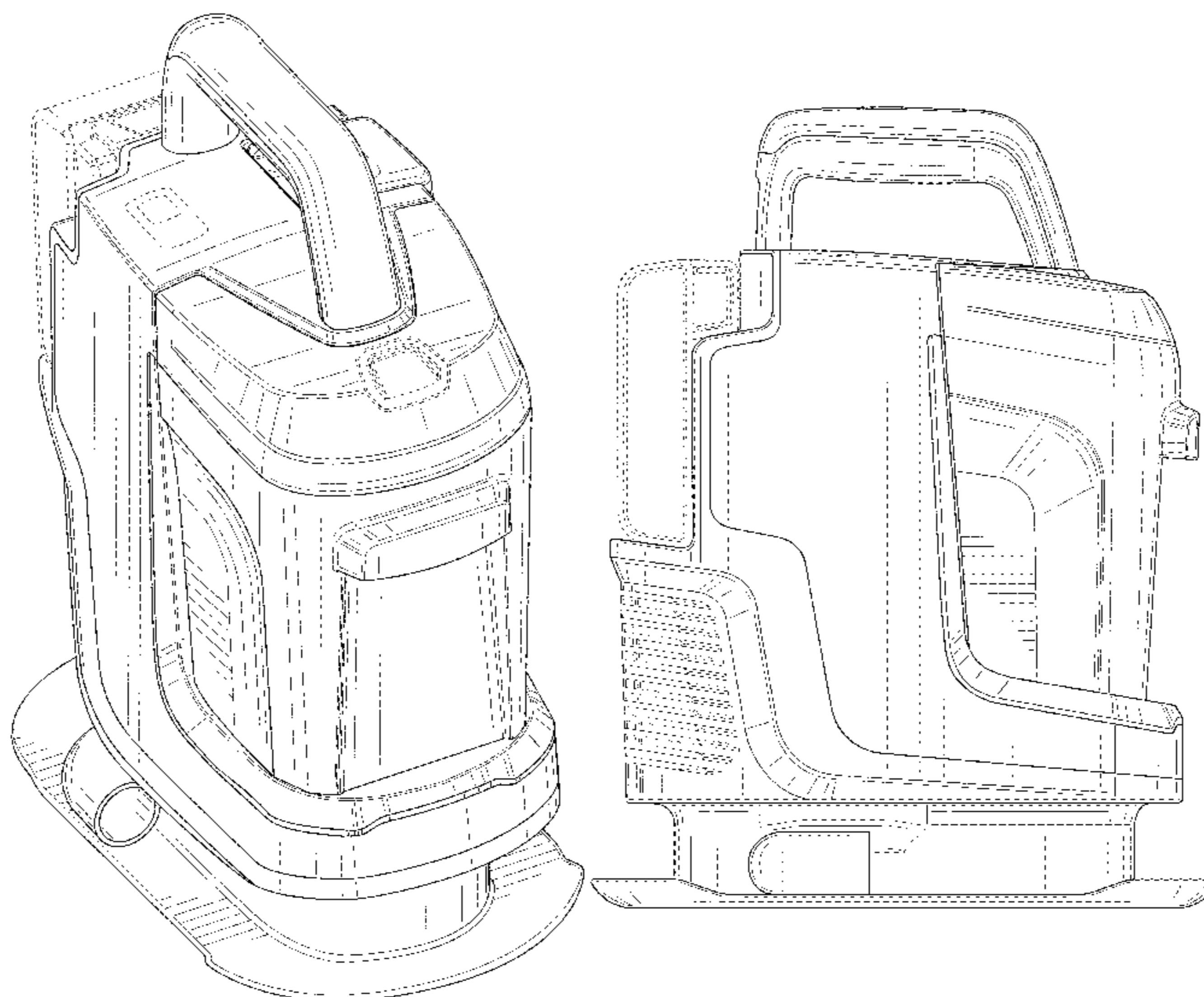
FIG. 5 is a left side view of the portable cleaner of FIG. 1.

FIG. 6 is a top side view of the portable cleaner of FIG. 1; and,

FIG. 7 is a bottom side view of the portable cleaner of FIG. 1.

The broken lines depict portions of the portable cleaner that form no part of the claimed design.

1 Claim, 7 Drawing Sheets



(56)

References Cited

U.S. PATENT DOCUMENTS

D537,216	S	2/2007	Davis et al.	
D564,154	S *	3/2008	Hollis	D32/18
D566,911	S *	4/2008	Wissmann	D32/15
D595,910	S *	7/2009	Hollis	D32/21
D647,260	S *	10/2011	Hollis	D32/18
D659,309	S	5/2012	Benacquisto et al.	
D660,531	S	5/2012	Benacquisto	
D675,796	S	2/2013	Benacquisto et al.	
8,549,697	B1 *	10/2013	Moyher, Jr.	A47L 11/4044 15/320
D727,847	S	4/2015	Jaskowiak	
D742,080	S	10/2015	Rigon	
9,232,881	B2 *	1/2016	Conrad	A47L 9/327
9,474,424	B2 *	10/2016	Moyher, Jr.	A47L 7/0042
9,572,464	B2 *	2/2017	Wehner	A47L 9/18
2020/0093344	A1 *	3/2020	Quintero	A47L 11/4005

* cited by examiner

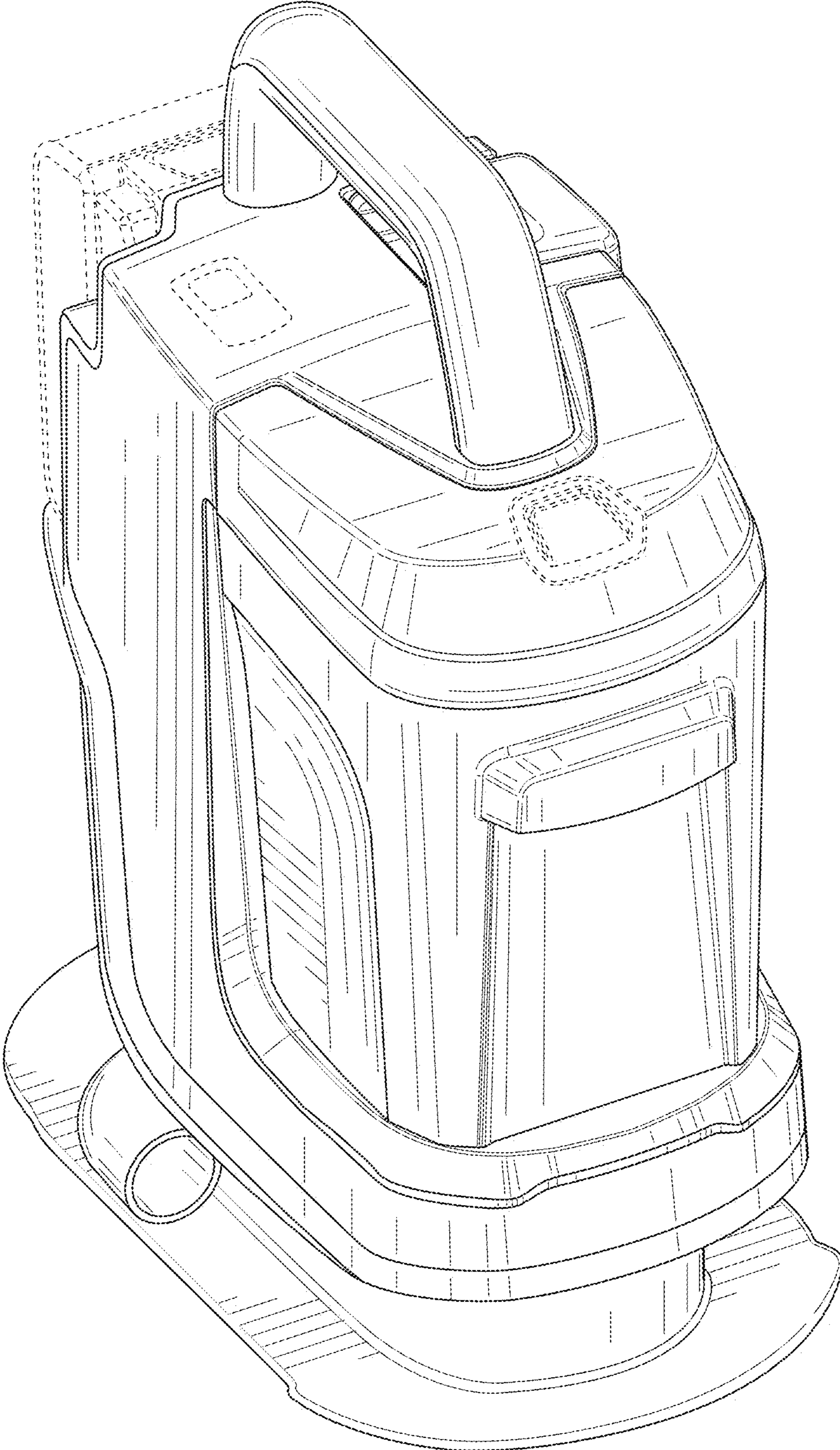


FIG. 1

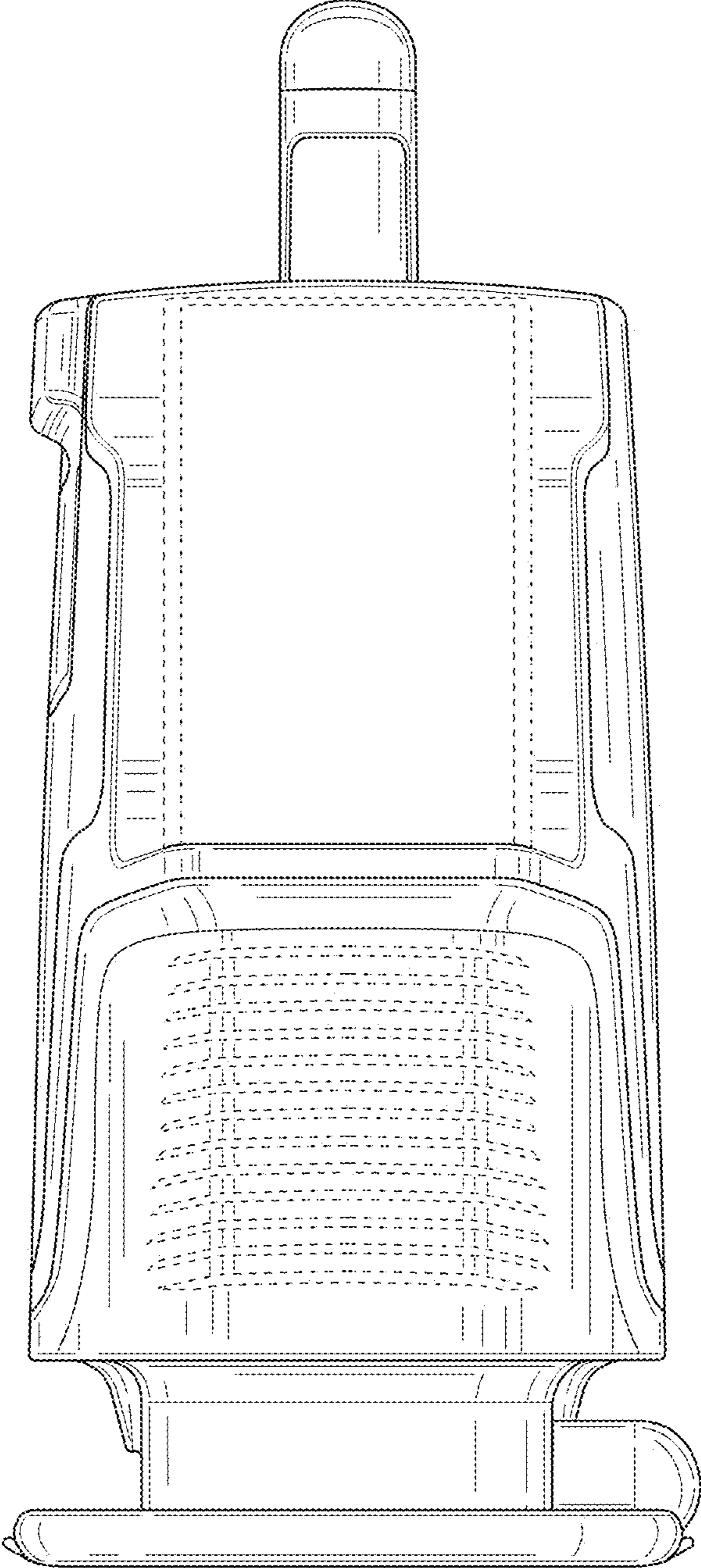


FIG. 2

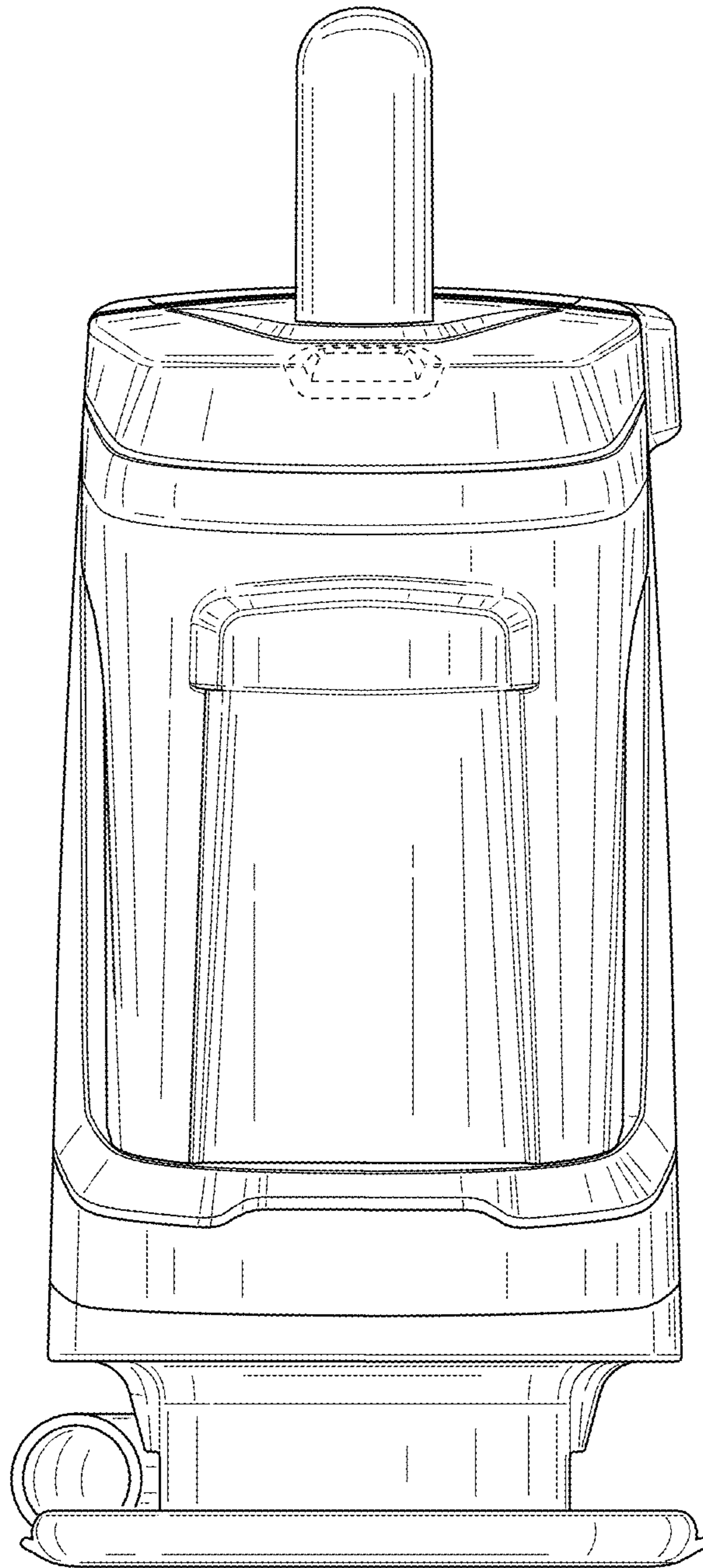


FIG. 3

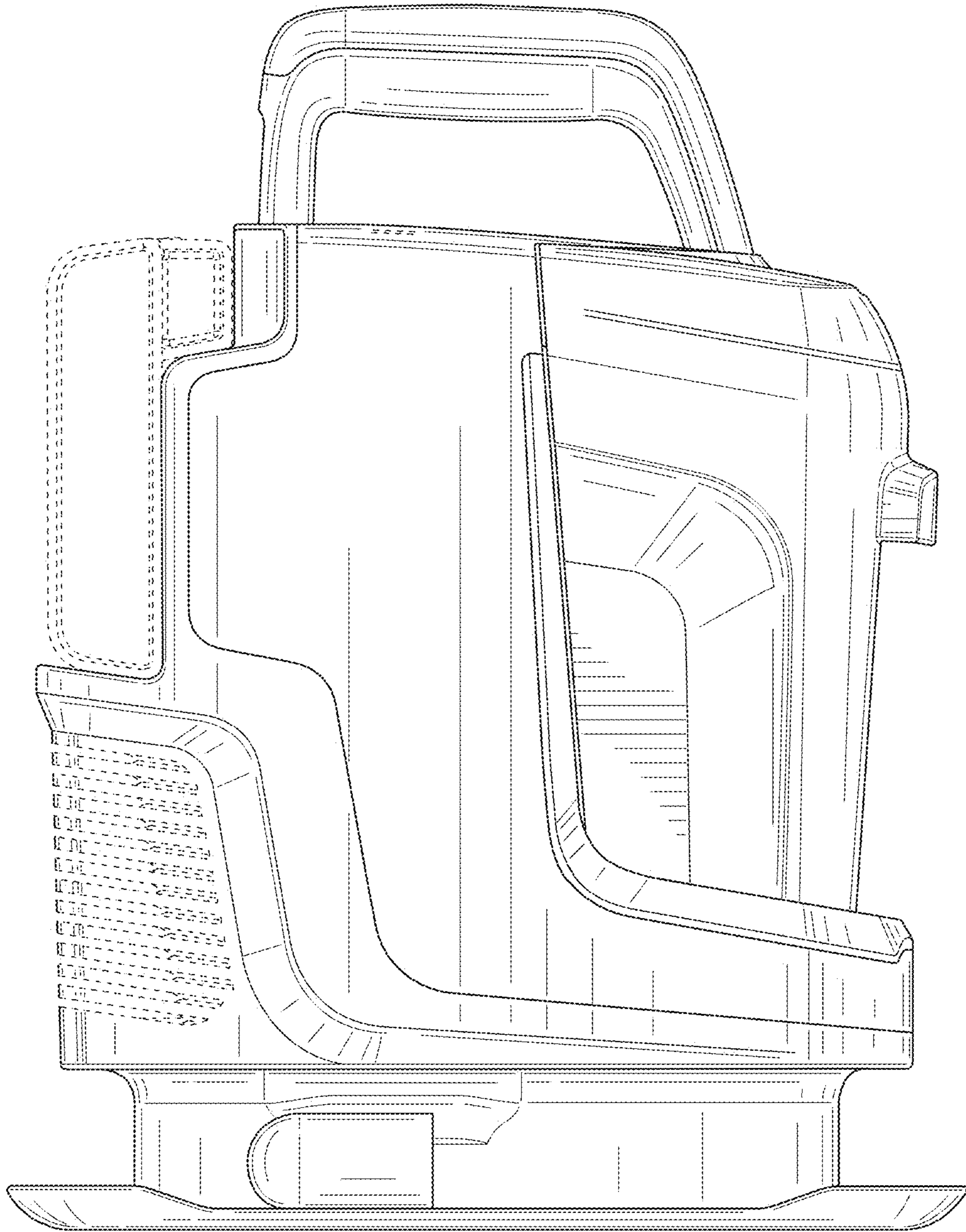


FIG. 4

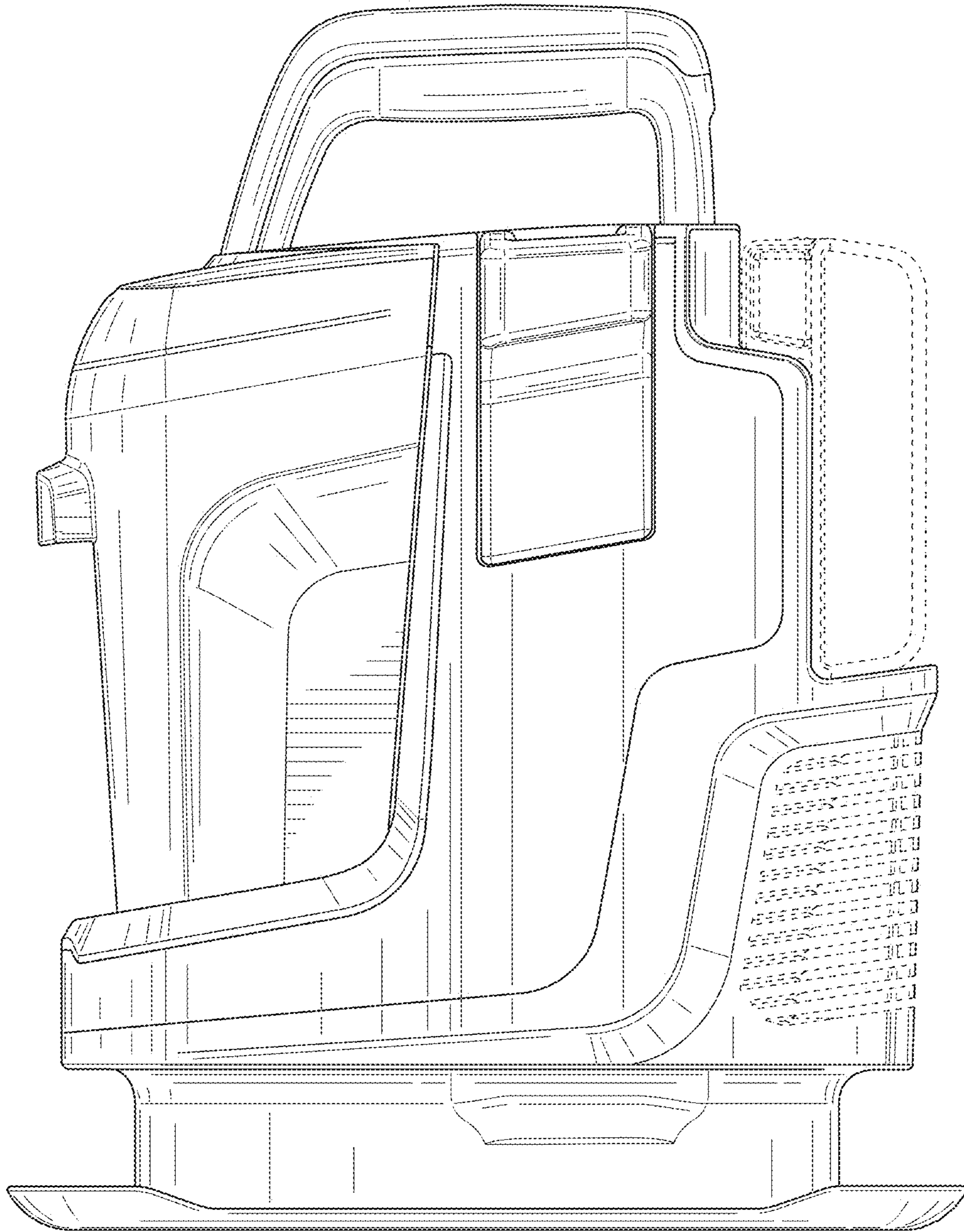


FIG. 5

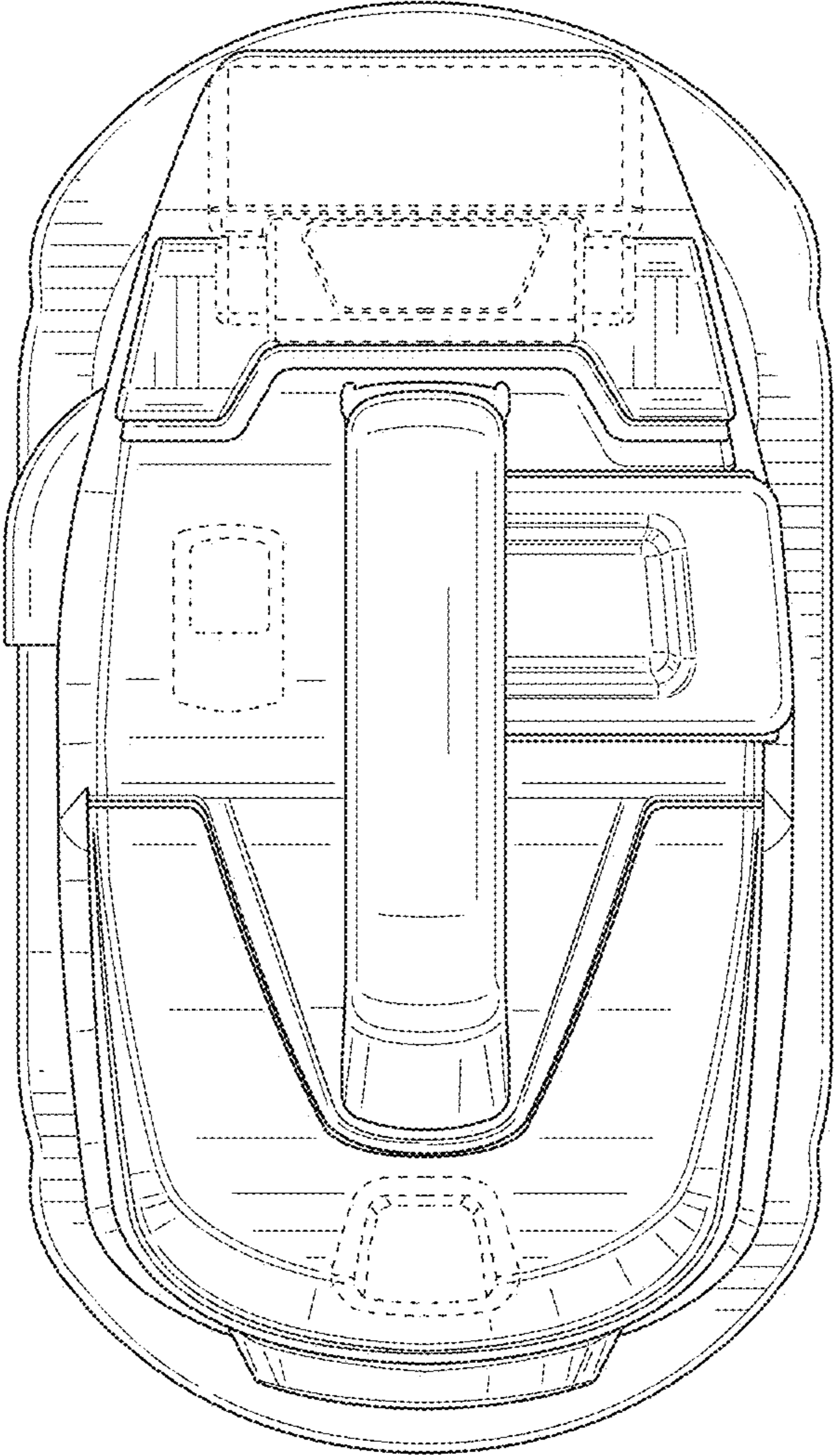


FIG. 6

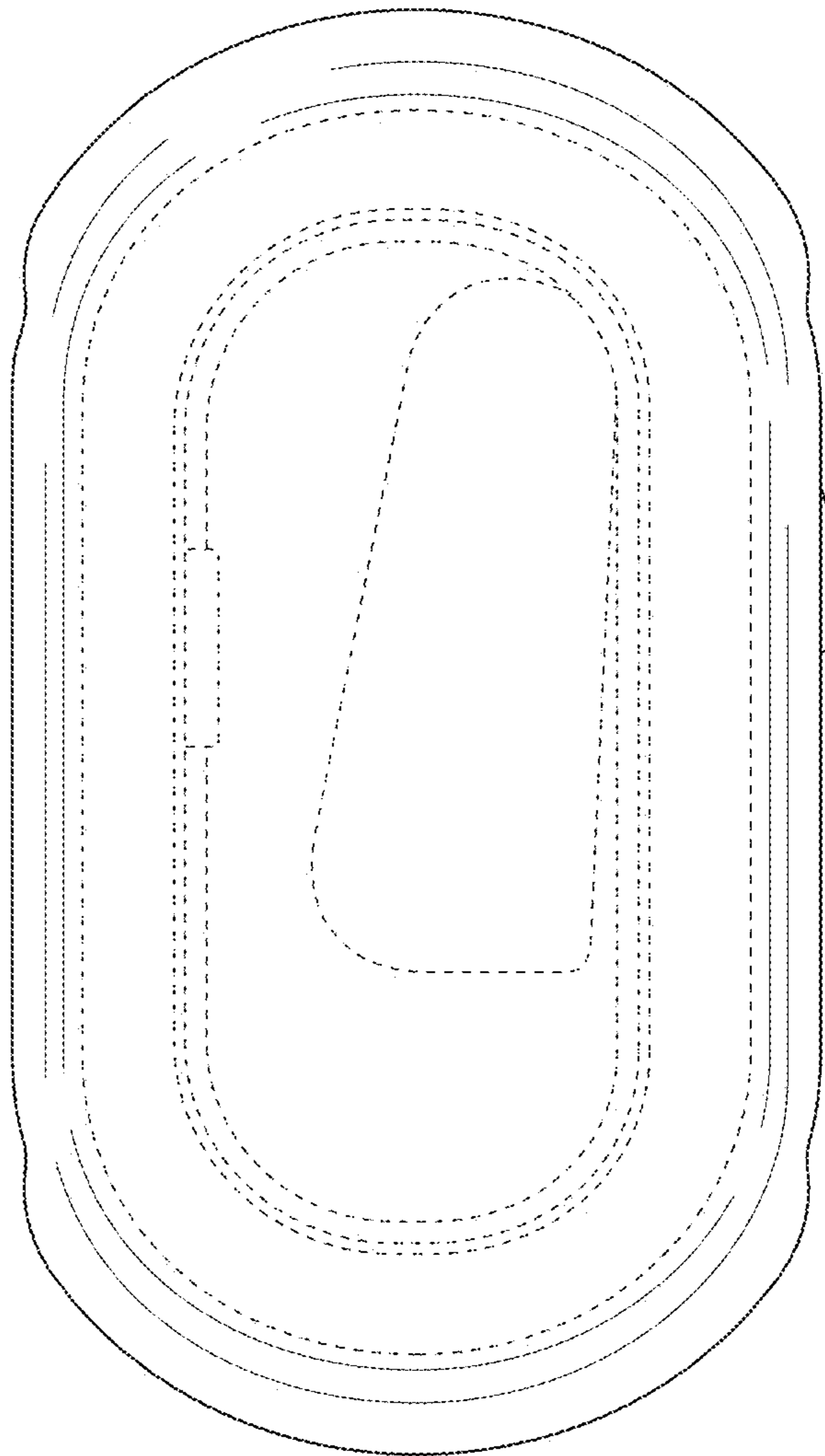


FIG. 7