



US00D920605S

(12) **United States Design Patent**
Huang

(10) **Patent No.:** **US D920,605 S**

(45) **Date of Patent:** **** May 25, 2021**

(54) **HANDHELD GARMENT STEAMER**

(71) Applicant: **Yun Huang**, Guangdong (CN)

(72) Inventor: **Yun Huang**, Guangdong (CN)

(**) Term: **15 Years**

(21) Appl. No.: **29/695,888**

(22) Filed: **Jun. 24, 2019**

(51) **LOC (13) Cl.** **15-05**

(52) **U.S. Cl.**
USPC **D32/17**

(58) **Field of Classification Search**
USPC D32/17, 18, 31, 35
CPC D06M 11/34; D06F 87/00; D06F 75/30;
D06F 75/20; D06F 73/00; D06F 75/26;
D06F 75/16; A61F 9/0026; B08B 9/00;
B08B 3/00; A61L 2/07; F16L 37/40
See application file for complete search history.

(56) **References Cited**

U.S. PATENT DOCUMENTS

D150,177 S *	7/1948	Terraillon	D32/17
D207,632 S *	5/1967	Anderson	D32/17
D219,751 S *	1/1971	Osrow	D32/17
D221,992 S *	9/1971	Bluestein	D32/17
3,620,055 A *	11/1971	Blachly	D06F 75/30 68/222
3,654,780 A *	4/1972	Frank	D06F 87/00 68/222
D229,016 S *	11/1973	Plasko	D32/17
D232,802 S *	9/1974	Steinkamp	D32/17
D233,209 S *	10/1974	Terraillon	D32/17
3,969,607 A *	7/1976	Osrow	D06F 87/00 392/335
4,206,340 A *	6/1980	Osrow	D06F 75/16 219/245
D287,892 S *	1/1987	Rosa	D32/17
D388,562 S *	12/1997	Doria	D32/17
D421,670 S *	3/2000	Schupp	D32/17

6,275,653 B1 *	8/2001	Montipo'	B08B 9/00 392/405
D465,309 S *	11/2002	Foersterling	D32/35
6,513,269 B2 *	2/2003	Kobayashi	D06F 75/20 38/93
D473,987 S *	4/2003	Foersterling	D32/35
D481,183 S *	10/2003	Mangano	D32/17
6,986,217 B2 *	1/2006	Leung	D06F 73/00 38/77.83
D516,759 S *	3/2006	Lam	D32/17
D587,866 S *	3/2009	Mangano	D32/17
D592,366 S *	5/2009	Mangano	D32/17
D598,614 S *	8/2009	Lam	D32/17

(Continued)

OTHER PUBLICATIONS

Handheld Steamer <https://www.yoybuy.com/pd/allshHIBbZ1MBMb917cT.html> (Year: 2020).*

(Continued)

Primary Examiner — Michelle E. Wilson
Assistant Examiner — Richard E Yenchesky

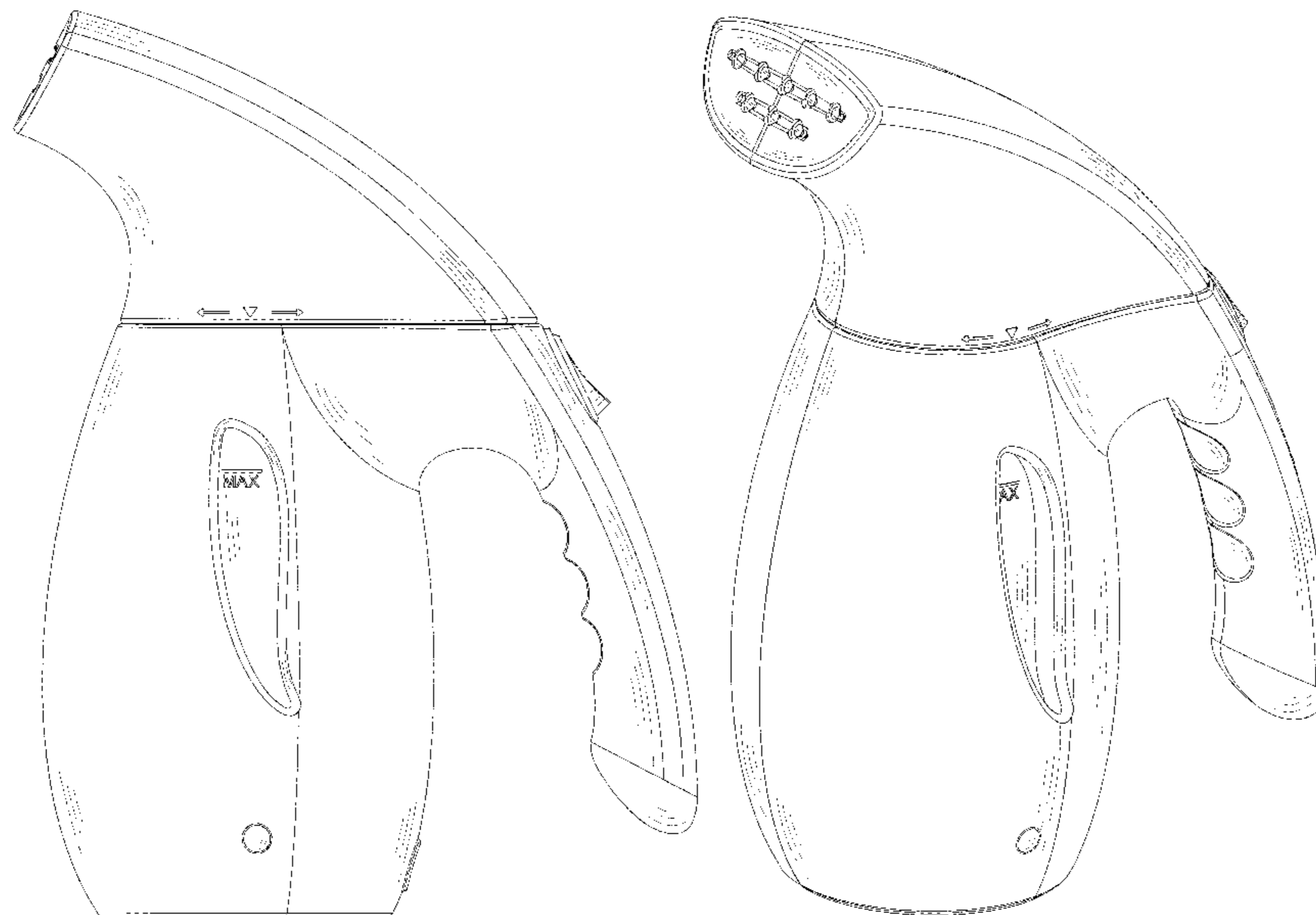
(57) **CLAIM**

I claim the ornamental design for a handheld garment steamer, as shown and described.

DESCRIPTION

FIG. 1 is a front view of a handheld garment steamer showing my new design;
FIG. 2 is a rear elevational view thereof;
FIG. 3 is a left side elevational view thereof;
FIG. 4 is a right side elevational view thereof;
FIG. 5 is a top plan view thereof;
FIG. 6 is a bottom plan view thereof; and,
FIG. 7 is a perspective view thereof.
The broken lines shown depict environment that forms no part of the claimed design.

1 Claim, 7 Drawing Sheets



(56)

References Cited

U.S. PATENT DOCUMENTS

7,661,212 B2 * 2/2010 Hahn D06F 75/20
 38/81
 D611,208 S * 3/2010 Lam D32/17
 7,721,474 B2 * 5/2010 Jiang D06F 75/26
 38/77.7
 D620,208 S * 7/2010 Mangano D32/17
 D620,651 S * 7/2010 Enervold D32/17
 D623,363 S * 9/2010 Ediger D32/17
 D634,493 S * 3/2011 Breit D32/17
 D648,494 S * 11/2011 Vrdoljak D32/17
 D674,564 S * 1/2013 Mangano D32/17
 D707,902 S * 6/2014 Mangano D32/17
 D716,007 S * 10/2014 Mangano D32/17
 D725,326 S * 3/2015 Spencer D32/17
 D734,575 S * 7/2015 Zeng D32/18
 D753,354 S * 4/2016 Casini D32/17
 D771,331 S * 11/2016 Chaklos D32/17
 D820,540 S * 6/2018 Cartwright D32/31
 D821,668 S * 6/2018 Cartwright D32/31

D844,263 S * 3/2019 Ediger D32/17
 2005/0125934 A1 * 6/2005 Reese F16L 37/40
 15/320
 2008/0022480 A1 * 1/2008 Lee B08B 3/00
 15/320
 2010/0024492 A1 * 2/2010 Leung D06F 73/00
 68/222
 2010/0269287 A1 * 10/2010 Vrdoljak A61L 2/07
 15/322
 2018/0200106 A1 * 7/2018 Zoumalan A61F 9/0026
 2020/0362505 A1 * 11/2020 Razouki D06M 11/34

OTHER PUBLICATIONS

Hand Garment Steamer https://www.amazon.com/dp/B089QT4NSV/ref=sspa_dk_detail_4 (Year: 2020).*
 Portable Garment Steamer https://www.amazon.com/hOmeLabs-Handheld-Steamer-Clothes-Portable/dp/B07XFR31SL/ref=pd_di_sccai_1 (Year: 2020).*

* cited by examiner

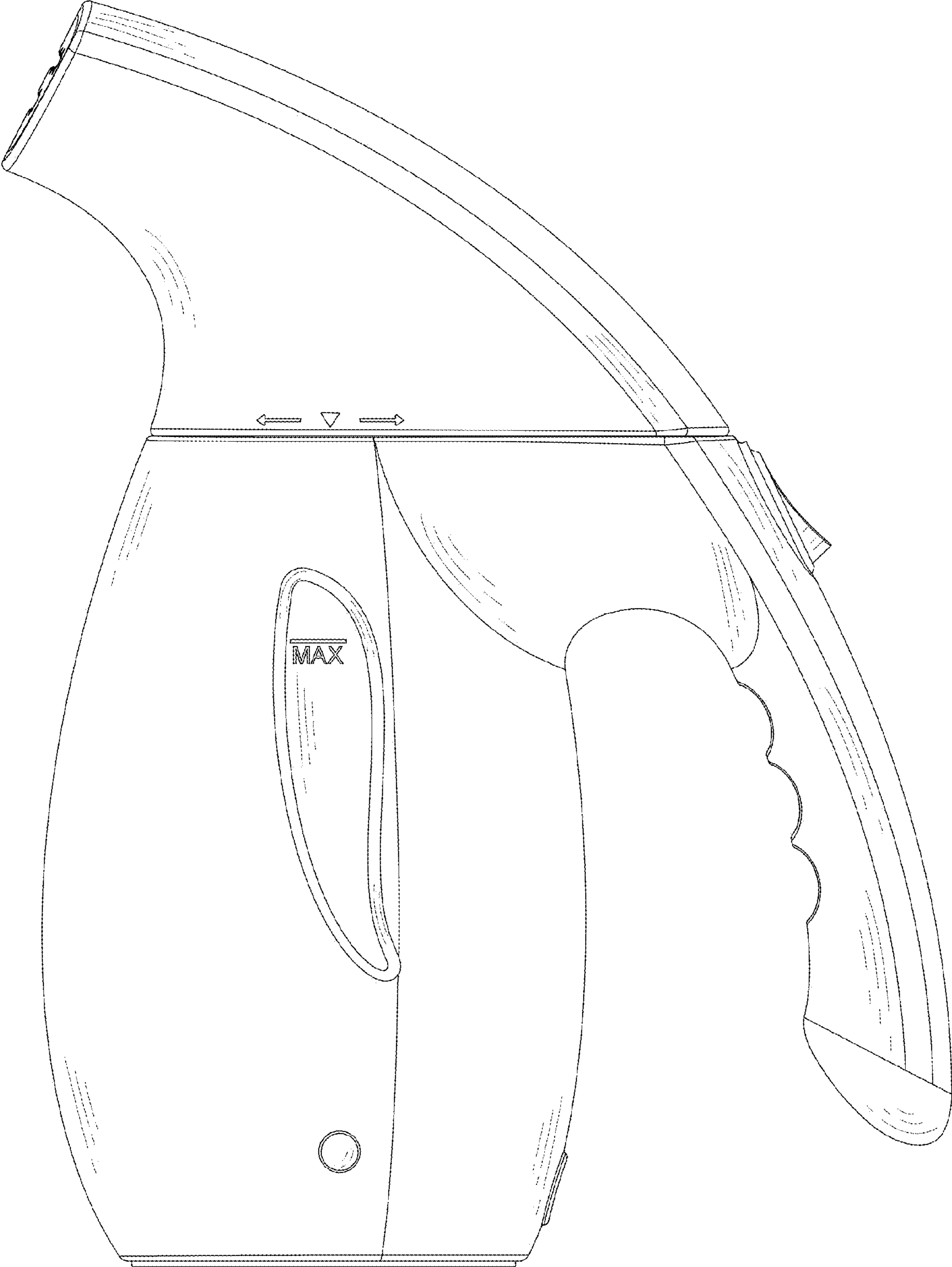


FIG. 1

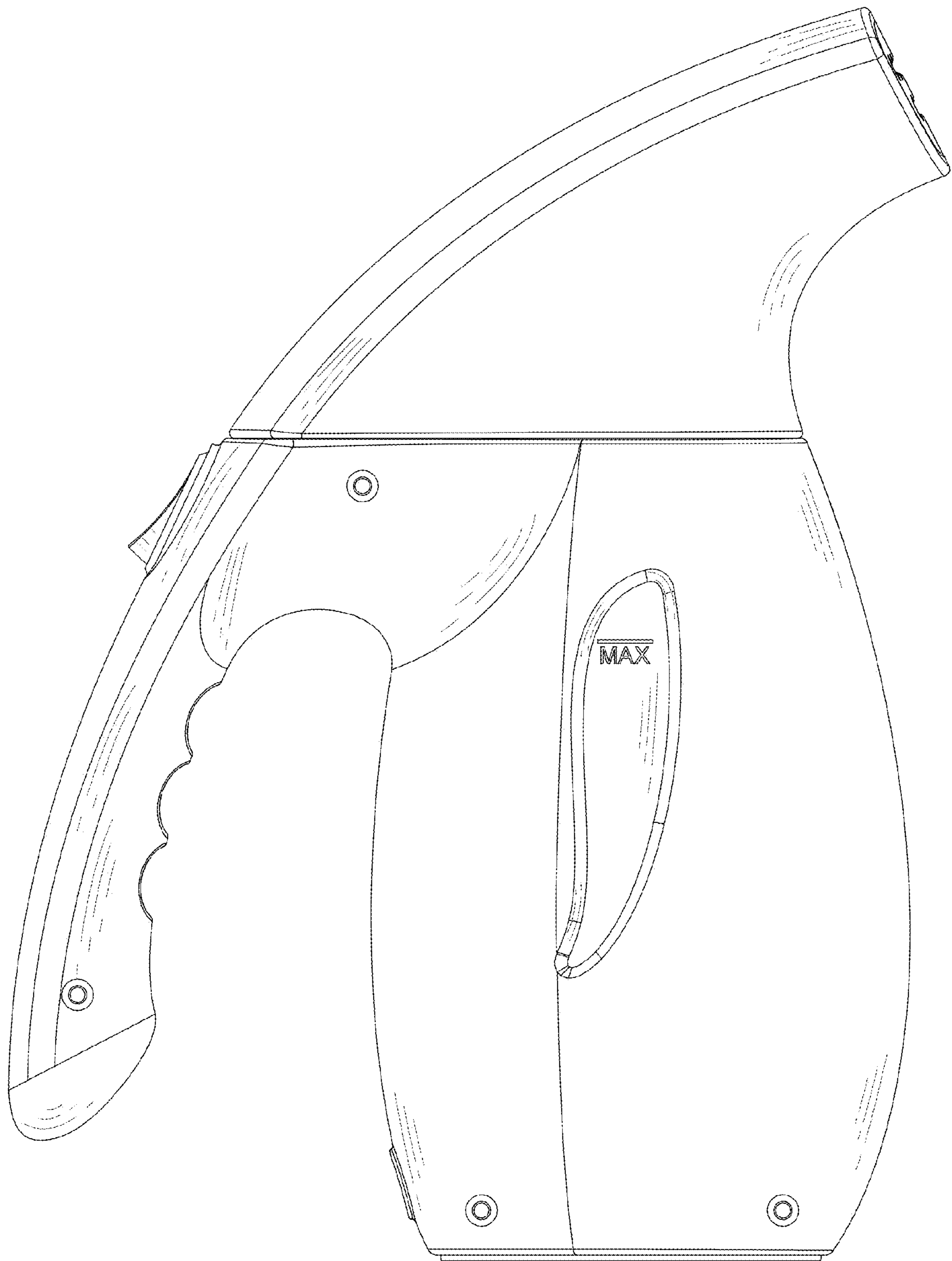


FIG. 2

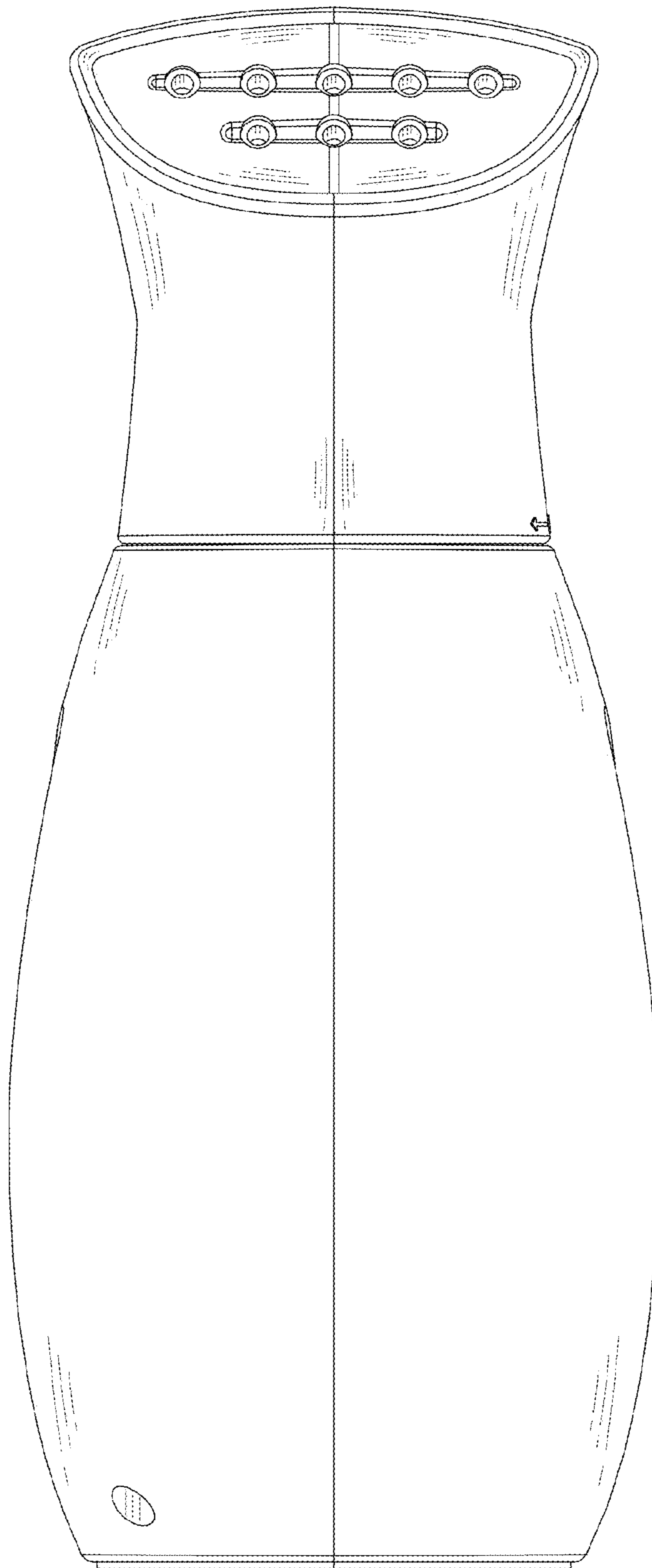


FIG. 3

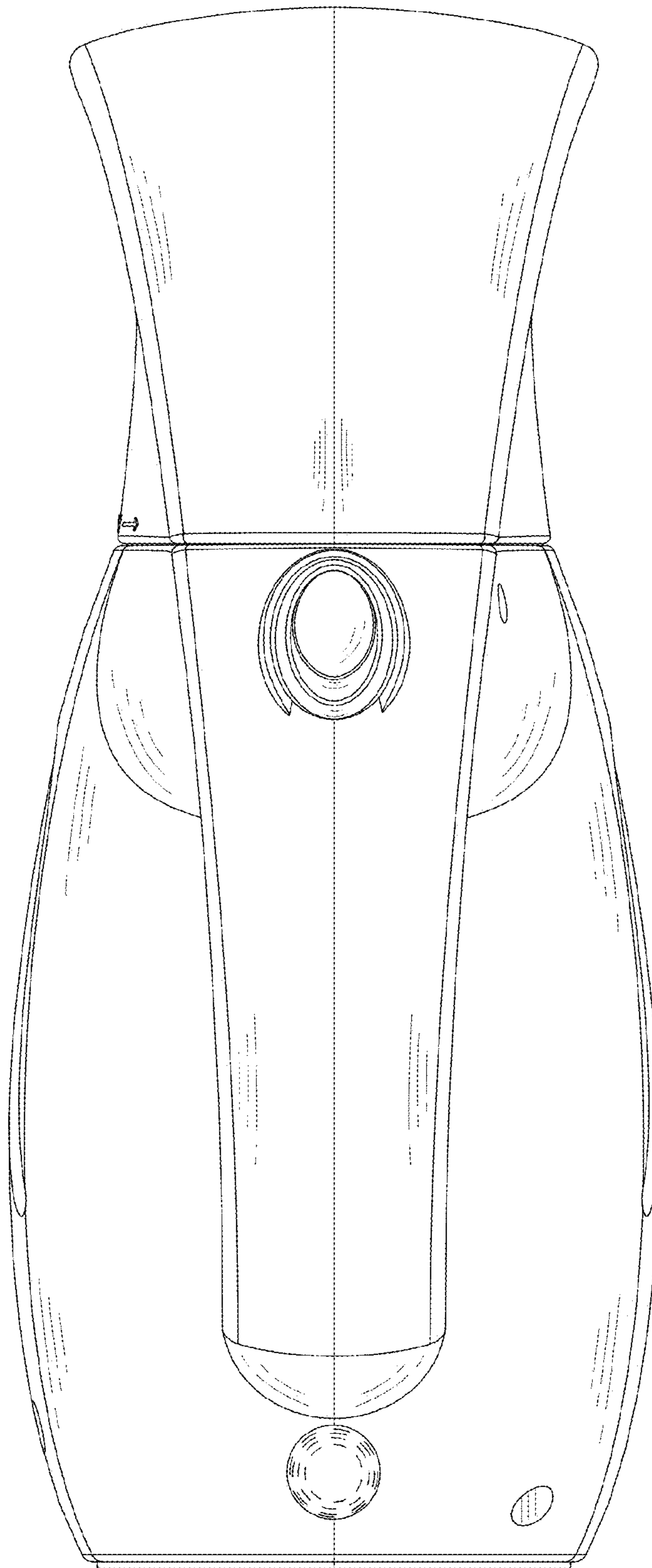


FIG. 4

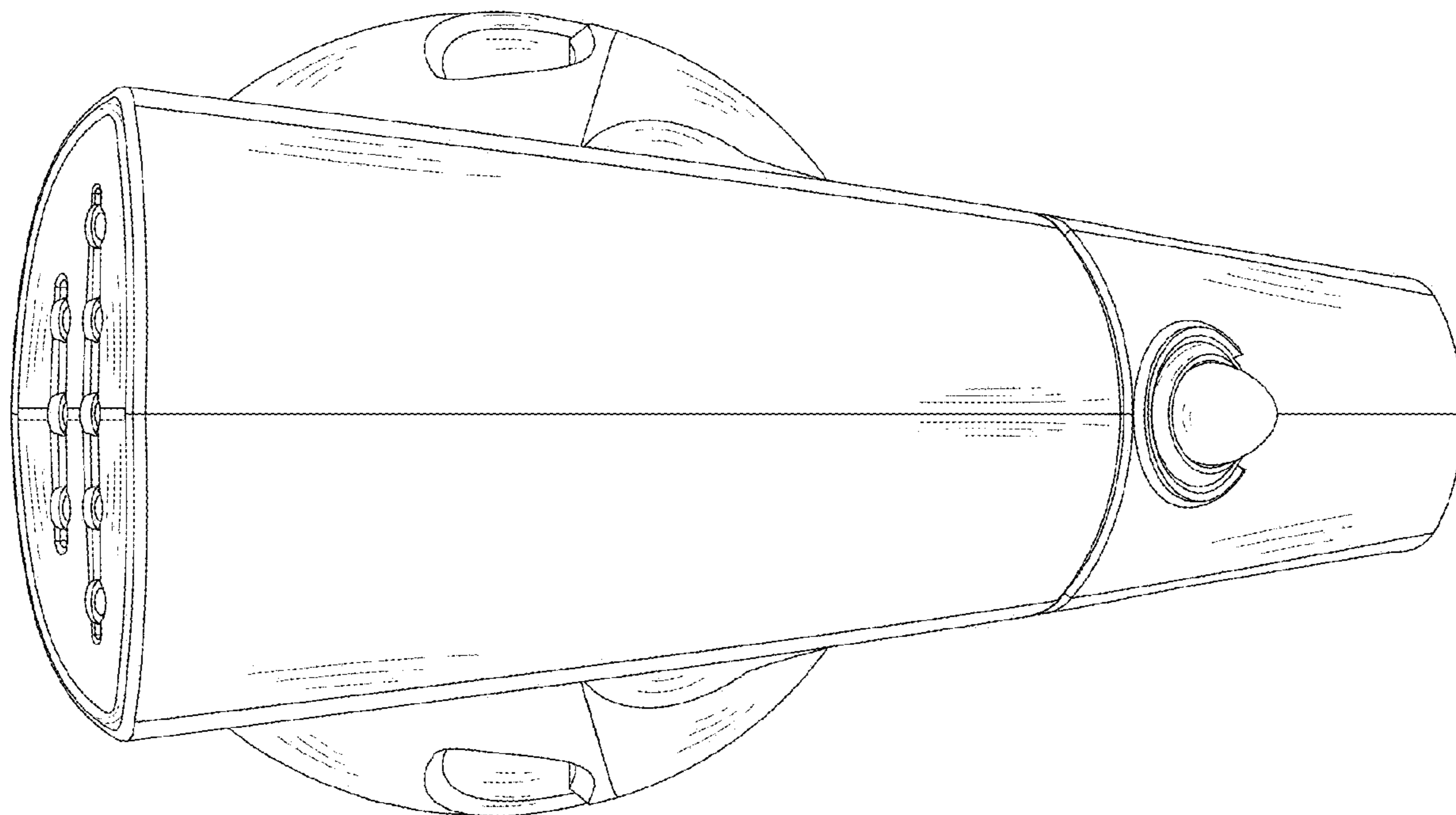


FIG. 5

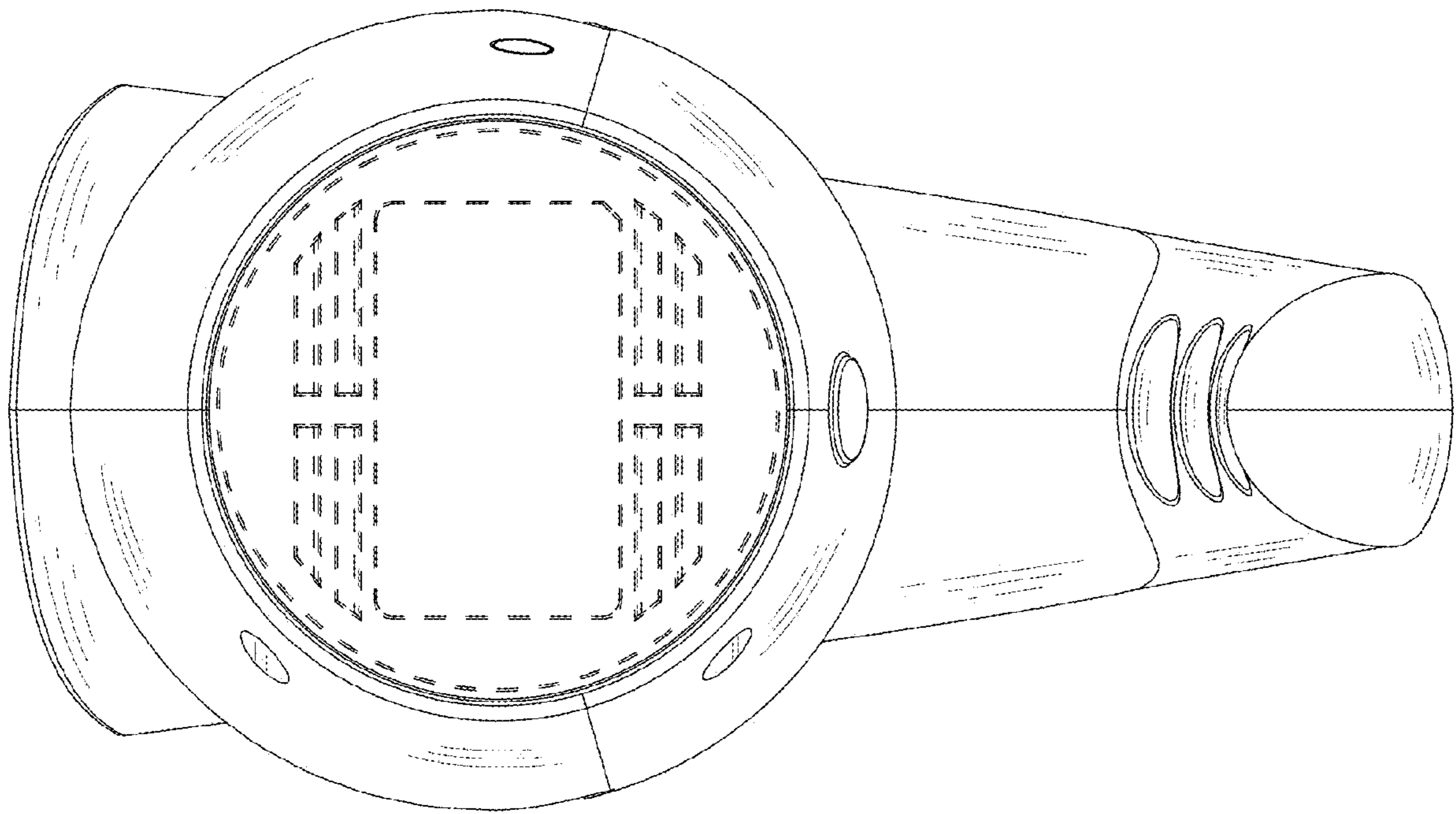


FIG. 6

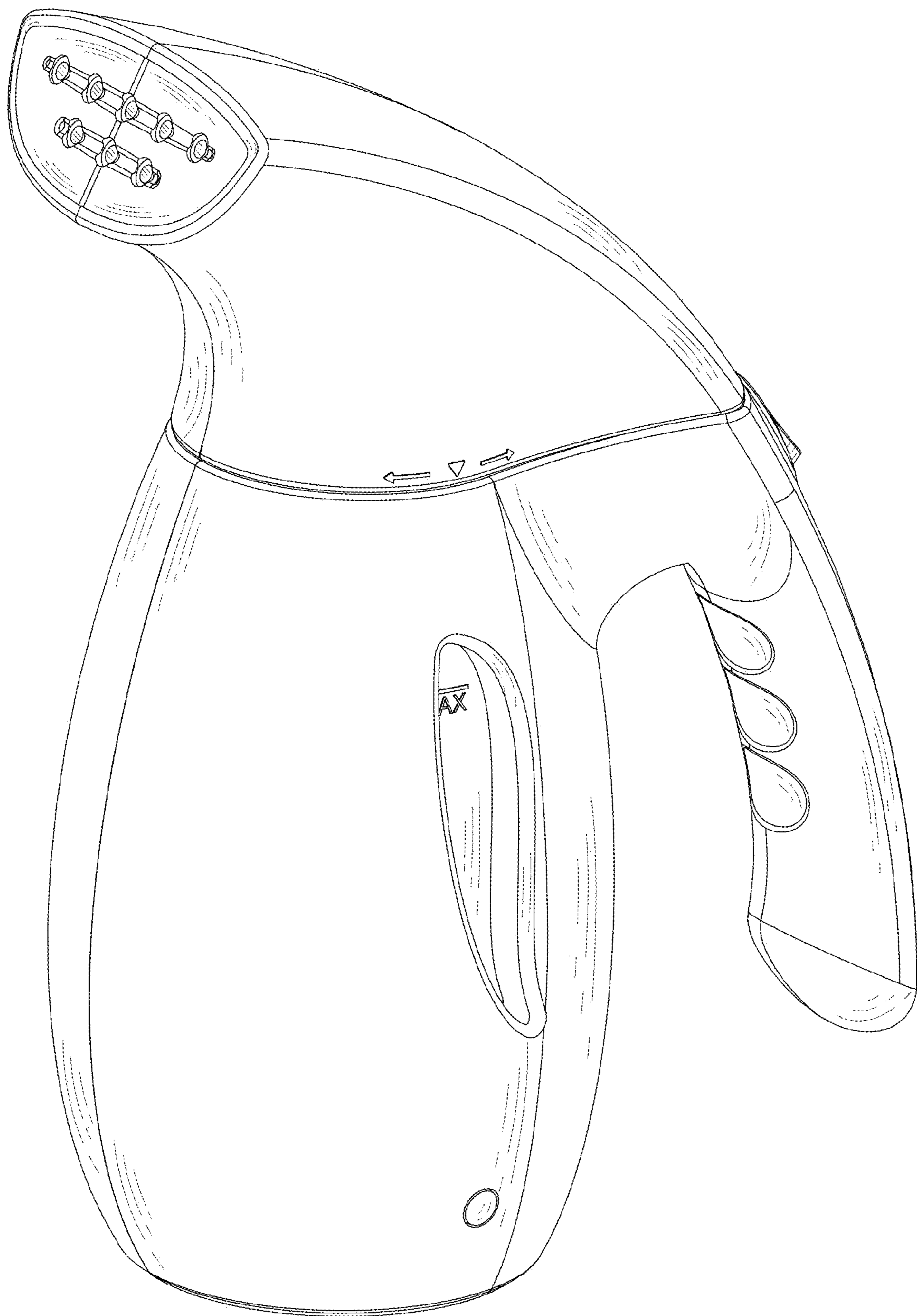


FIG. 7