



US00D920602S

(12) **United States Design Patent**
Knapp

(10) **Patent No.:** **US D920,602 S**

(45) **Date of Patent:** **** May 25, 2021**

- (54) **CARPET AND FLOOR SWEEPER**
- (71) Applicant: **BISSELL Inc.**, Grand Rapids, MI (US)
- (72) Inventor: **Mackenzie L. Knapp**, Saranac, MI (US)
- (73) Assignee: **BISSELL Inc.**, Grand Rapids, MI (US)
- (**) Term: **15 Years**
- (21) Appl. No.: **29/672,498**
- (22) Filed: **Dec. 6, 2018**
- (51) **LOC (13) Cl.** **15-05**
- (52) **U.S. Cl.**
USPC **D32/15**
- (58) **Field of Classification Search**
USPC D32/15, 38, 42, 44-45, 50-52
CPC A47L 9/04; A47L 5/00; A47L 7/00; B60P 1/34
See application file for complete search history.

D870,991 S * 12/2019 Baxter D32/15
 D891,016 S * 7/2020 Tao D32/38
 2004/0211023 A1* 10/2004 Streciwilk A47L 9/04
 15/351

(Continued)

FOREIGN PATENT DOCUMENTS

GB 1015182 * 2/1984

OTHER PUBLICATIONS

Amazon.com—Fuller Brush 17027 Carpet & Floor Sweeper, reviews 2016, site visited Dec. 18, 2020, https://www.amazon.com/dp/B0006B0RP6/ref=sspa_dk_detail_0?pd_rd_i=B0006B0RP6...

(Continued)

Primary Examiner — John R Yeh

(74) *Attorney, Agent, or Firm* — Warner Norcross + Judd LLP

(57) **CLAIM**

The ornamental design for a carpet and floor sweeper, as shown and described.

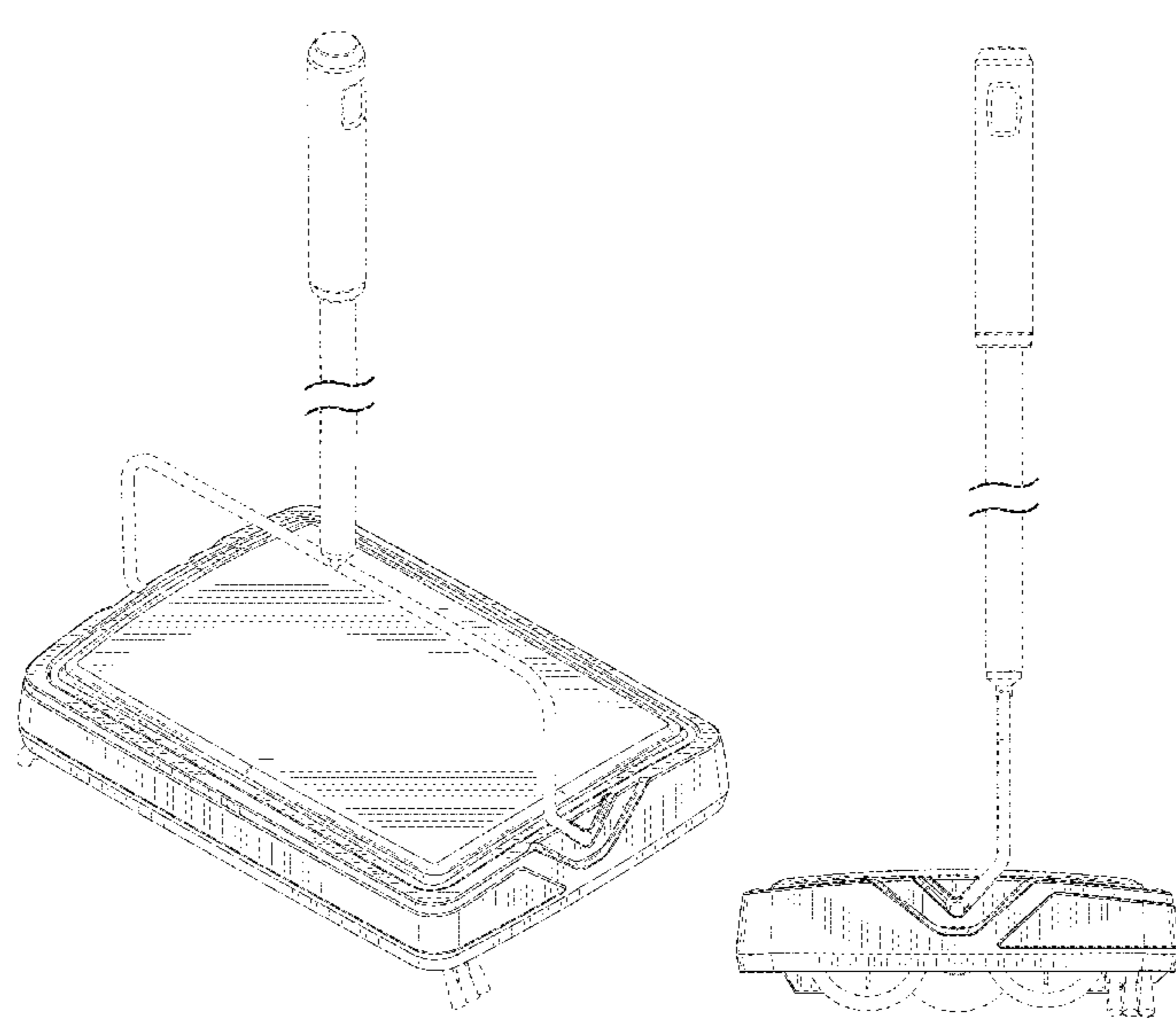
DESCRIPTION

FIG. 1 is a front perspective view of a carpet and floor sweeper showing my new design;
 FIG. 2 is a front view thereof;
 FIG. 3 is a rear view thereof;
 FIG. 4 is a left side view thereof, the right side being a mirror image; and,
 FIG. 5 is a top view thereof.
 The details shown in broken lines form no part of the claimed design. The break lines indicate that the claim is directed only to the design for the portions of the carpet and floor sweeper that are shown, and the appearance of any portion of the claimed design between the break lines forms no part of the claimed design.

1 Claim, 5 Drawing Sheets

(56) **References Cited**
U.S. PATENT DOCUMENTS

| | | | | |
|--------------|---------|-------------|-------|--------------|
| D285,735 S * | 9/1986 | Hanyu | | D32/38 |
| D312,154 S * | 11/1990 | Kuroda | | D32/38 |
| D346,470 S * | 4/1994 | Zahuranec | | D32/38 |
| D391,708 S * | 3/1998 | Canavan | | D32/38 |
| D501,283 S * | 1/2005 | Carr | | D32/38 |
| D531,766 S * | 11/2006 | Ambasz | | D32/15 |
| D549,410 S * | 8/2007 | Orak | | D32/38 |
| D549,910 S * | 8/2007 | Bouhuys | | D32/38 |
| D600,420 S * | 9/2009 | Dammkoehler | | D32/38 |
| D639,005 S * | 5/2011 | Luyckx | | D32/38 |
| D657,102 S * | 4/2012 | Kaleta | | A47L 11/4025 |
| | | | | D32/38 |
| D665,139 S * | 8/2012 | Genoa | | D32/38 |
| D759,329 S * | 6/2016 | Colangelo | | D32/50 |
| D766,528 S * | 9/2016 | Choi | | D32/50 |
| D858,016 S * | 8/2019 | Casini | | D32/15 |
| D869,793 S * | 12/2019 | Casini | | D32/15 |



(56)

References Cited

U.S. PATENT DOCUMENTS

2005/0066467 A1* 3/2005 Moshenrose A47L 11/4013
15/246.2
2019/0090702 A1* 3/2019 Wang A47L 9/2857

OTHER PUBLICATIONS

BISSELL EasySweep Compact Manual Sweeper—2484A : Target reviews 2019, <https://www.target.com/p/bissell-easysweep-compact-manual-sweeper-2484a/-/A-793339> . . . site visited Dec. 18, 2020.*

* cited by examiner

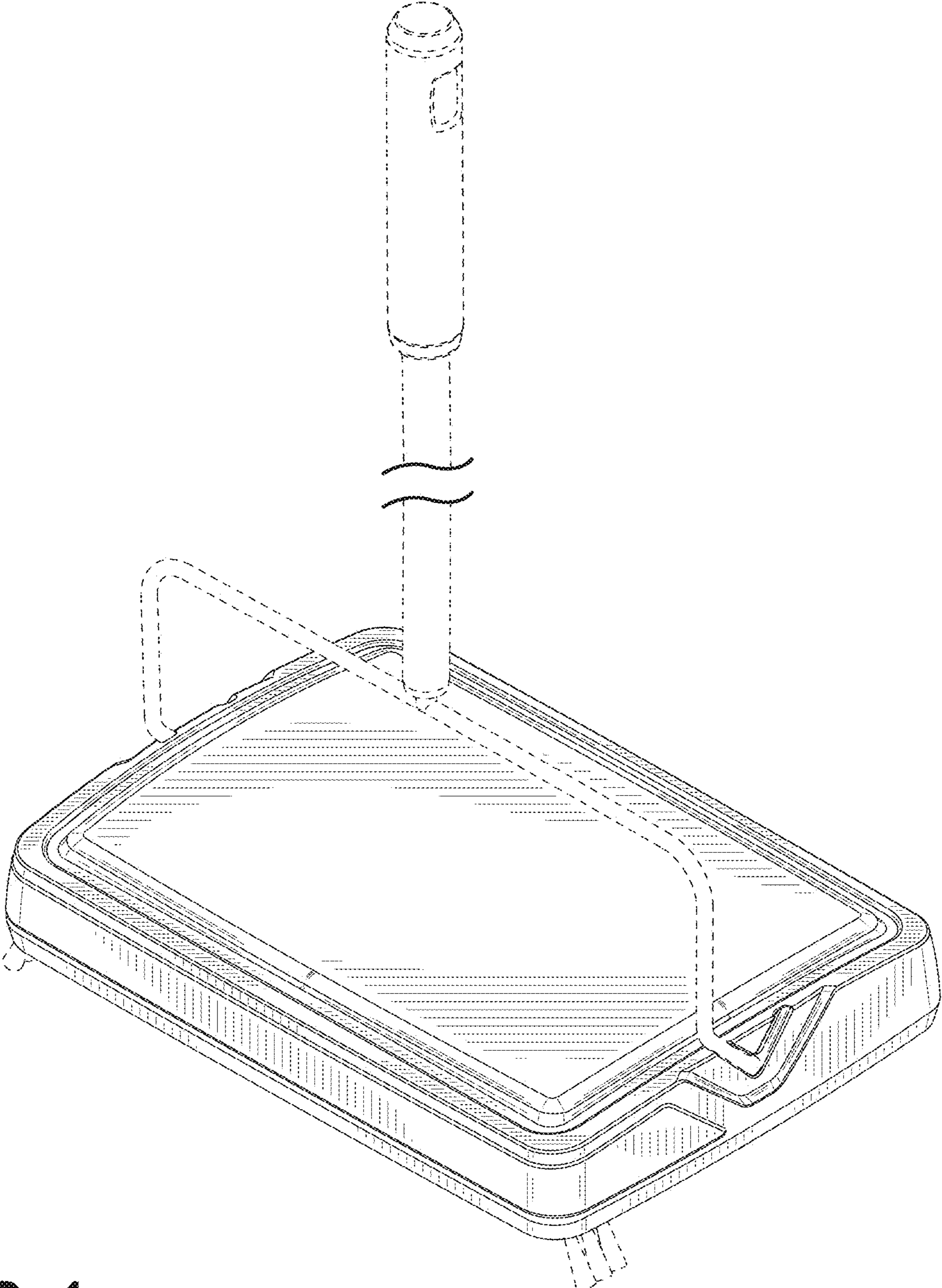


FIG. 1

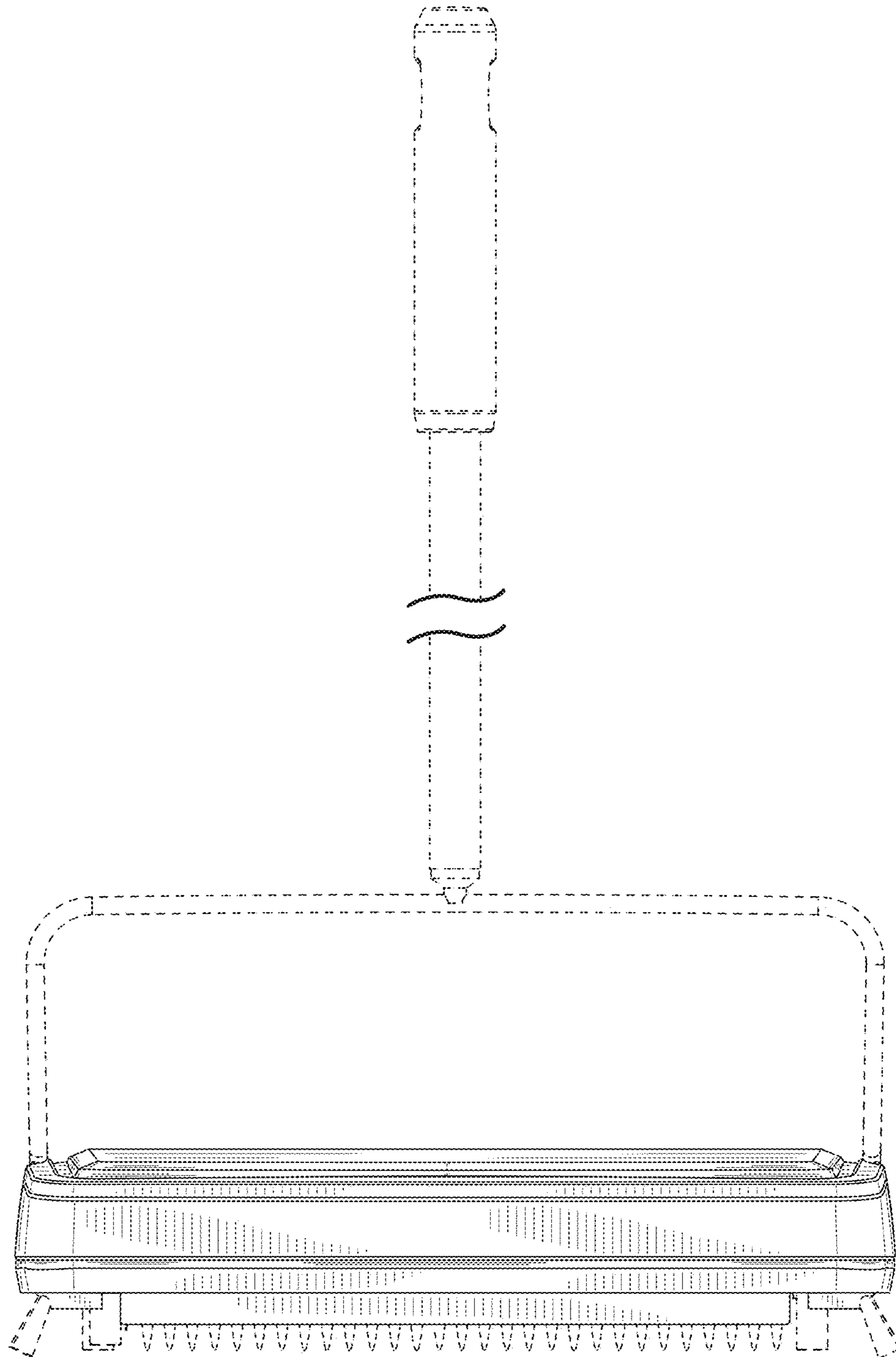


FIG. 2

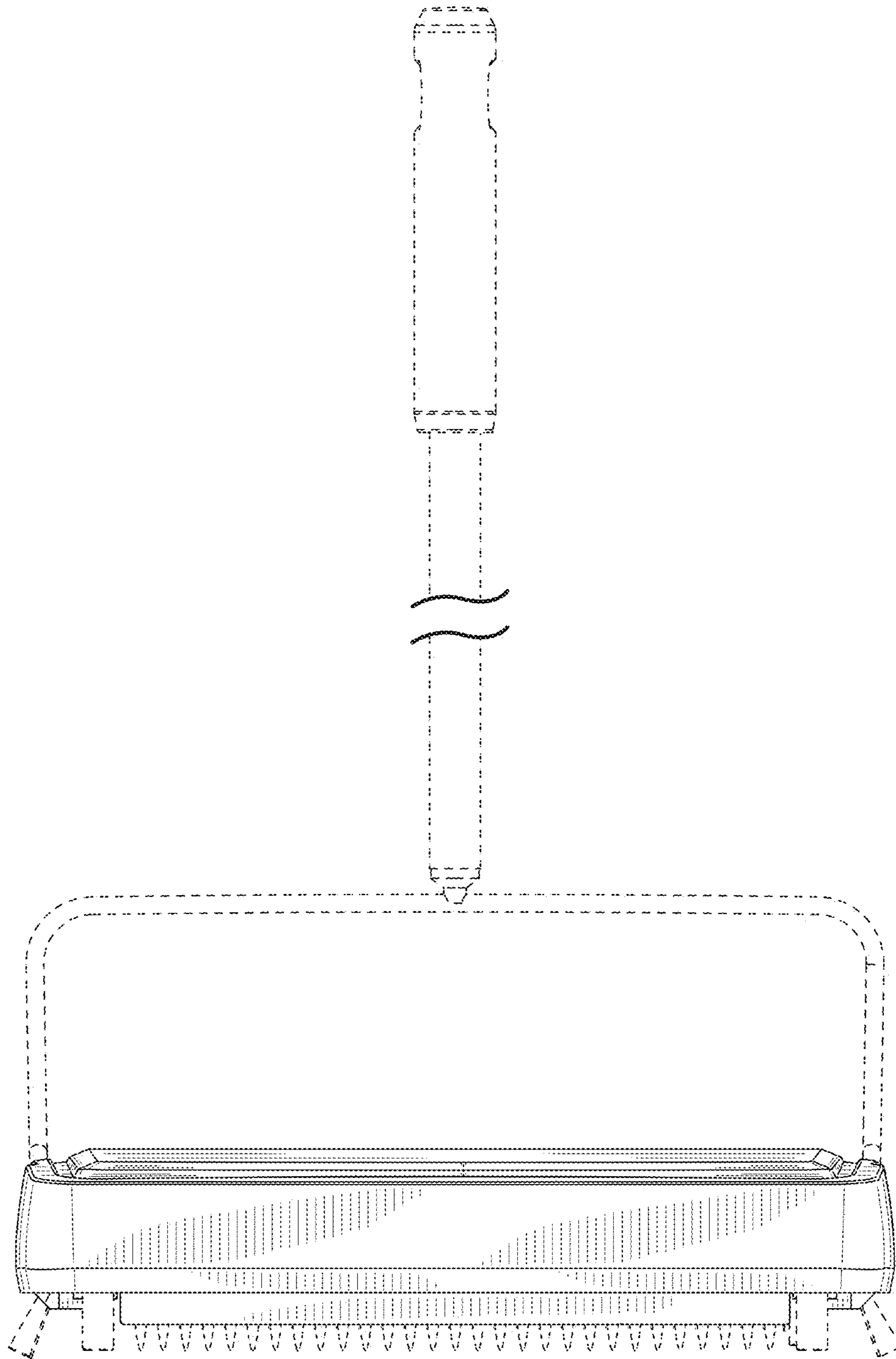


FIG. 3

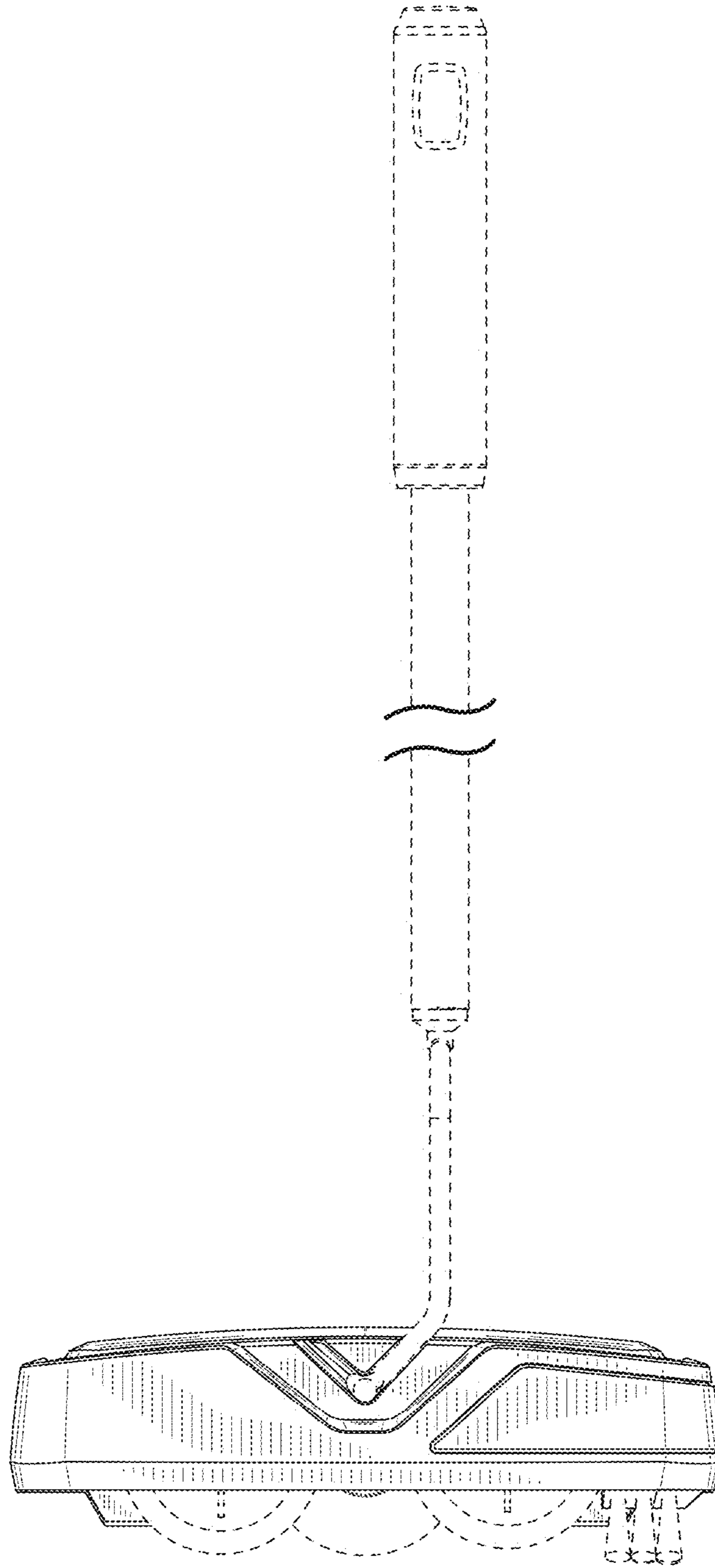


FIG. 4

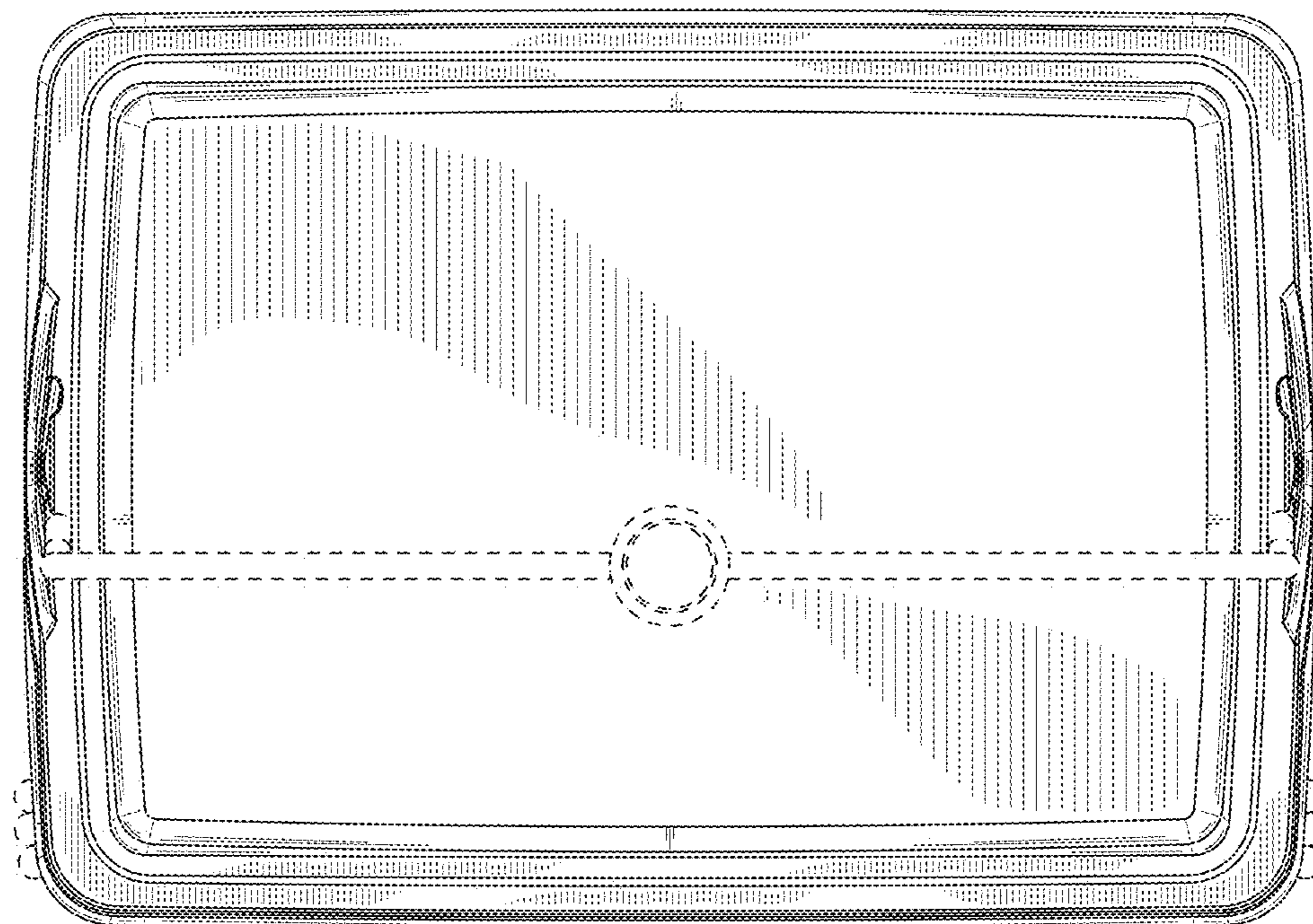


FIG. 5