



US00D920601S

(12) **United States Design Patent**  
**Yang**

(10) **Patent No.:** **US D920,601 S**

(45) **Date of Patent:** **\*\* May 25, 2021**

(54) **DOG CHEW MOLAR BALL WITH SUCTION CUP TOY**

(71) Applicant: **Shengwu Yang**, Yichun (CN)

(72) Inventor: **Shengwu Yang**, Yichun (CN)

(\*\*) Term: **15 Years**

(21) Appl. No.: **29/749,718**

(22) Filed: **Sep. 9, 2020**

(51) **LOC (13) Cl.** ..... **30-99**

(52) **U.S. Cl.**  
USPC ..... **D30/160**

(58) **Field of Classification Search**  
USPC ..... D30/121, 160; D21/408, 606, 623, 656,  
D21/712, 713; D1/120; D11/86;  
D4/128; D24/211, 214  
CPC ..... A01K 15/00; A01K 5/00; A01K 15/026;  
A23K 50/00; A23K 10/00  
See application file for complete search history.

(56) **References Cited**

**U.S. PATENT DOCUMENTS**

D421,078 S *	2/2000	Weiss, Jr. ....	D21/713
D461,216 S *	8/2002	Luther, Sr. ....	D21/717
D473,683 S *	4/2003	Willinger ....	A01K 15/026
			D30/160
D478,947 S *	8/2003	Lu .....	D21/662
D506,233 S *	6/2005	Cruz .....	D21/466
D540,496 S *	4/2007	Axelrod .....	D30/160
D581,765 S *	12/2008	Lane .....	D21/707
D677,440 S *	3/2013	Renforth .....	D30/160
D695,371 S *	12/2013	Hedeem, Jr. ....	D21/713
D702,405 S *	4/2014	Yerton et al. ....	
D706,883 S *	6/2014	Hedeem, Jr. ....	D21/713
D707,303 S *	6/2014	Saber .....	D21/398
D786,513 S *	5/2017	Tome .....	D30/160
D817,561 S *	5/2018	Pater et al. ....	
D818,212 S *	5/2018	Pater et al. ....	
D819,279 S *	5/2018	Gick .....	

D819,899 S *	6/2018	Gick .....	
D838,417 S *	1/2019	Jiang .....	D30/160
D839,496 S *	1/2019	Steinkraus .....	D30/160
D839,497 S *	1/2019	Steinkraus .....	D30/160
D853,056 S *	7/2019	Loibl .....	D30/160
D858,907 S *	9/2019	Gick .....	
D862,620 S *	10/2019	Hamilton .....	D21/719
D865,089 S *	10/2019	Oakley .....	D21/713
D874,748 S *	2/2020	Steinkraus .....	D30/160
D884,296 S *	5/2020	Gick .....	D30/160
D887,094 S *	6/2020	Ruan .....	D30/160

(Continued)

**OTHER PUBLICATIONS**

“Dog Toys for Aggressive Chewers”, posted Oct. 24, 2020 [Online], [retrieved Jan. 29, 2021]. Retrieved from Internet: <https://tinyurl.com/yxunvu3f>.\*

*Primary Examiner* — Sandra Snapp

*Assistant Examiner* — Mehri Bajoul

(74) *Attorney, Agent, or Firm* — Rumit Ranjit Kanakia

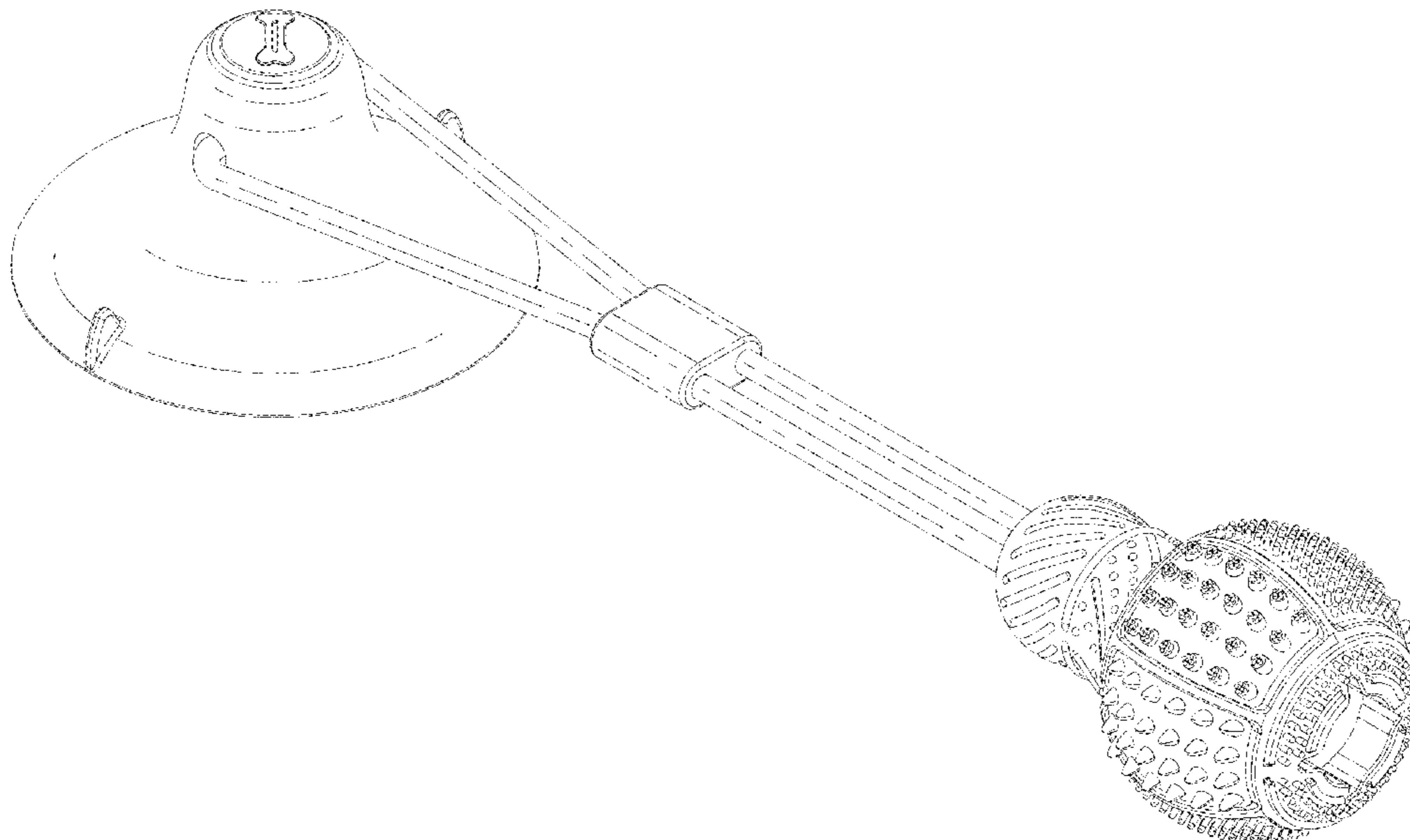
(57) **CLAIM**

I claim the ornamental design for a dog chew molar ball with suction cup toy, as shown and described.

**DESCRIPTION**

FIG. 1 is a Perspective view of a dog chew molar ball with suction cup toy showing my new design;  
FIG. 2 is a Front view thereof;  
FIG. 3 is a Back view thereof;  
FIG. 4 is a Right-side view thereof;  
FIG. 5 is a Left-side view thereof;  
FIG. 6 is a Top view thereof; and,  
FIG. 7 is a Bottom view thereof.  
The broken lines are for the purpose of illustrating portions of the dog chew molar ball with suction cup toy that form no part of the claimed design.

**1 Claim, 7 Drawing Sheets**



(56)

**References Cited**

U.S. PATENT DOCUMENTS

D901,792 S \* 11/2020 Wu ..... D30/160  
D908,294 S \* 1/2021 Liang ..... D30/160

\* cited by examiner

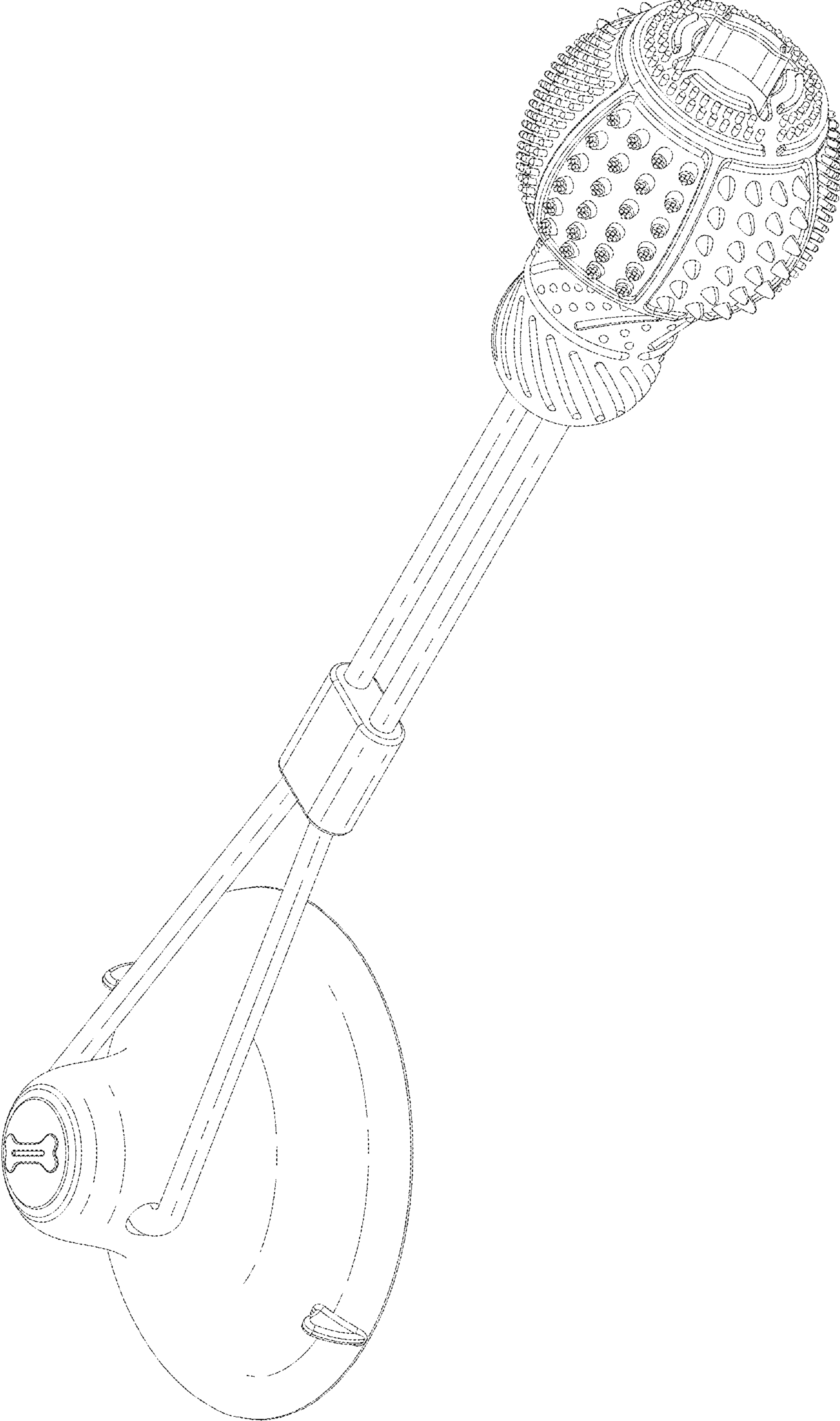


FIG. 1

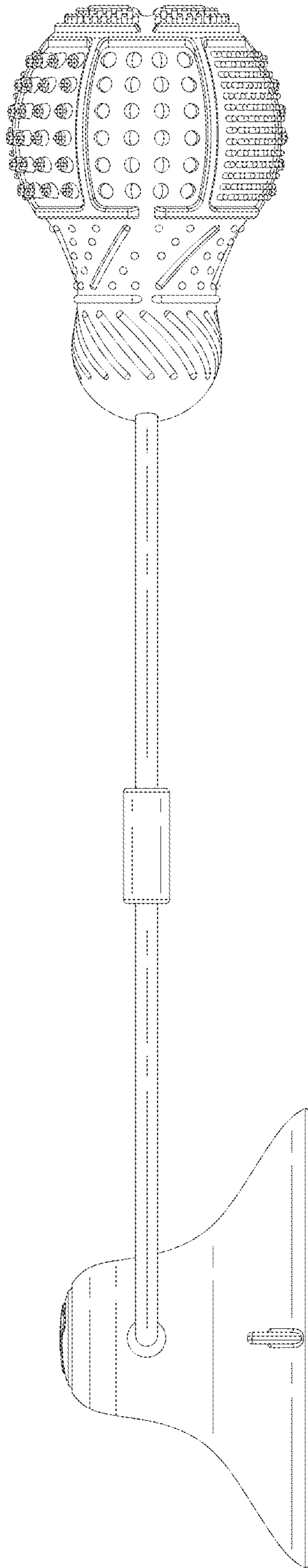


FIG. 2

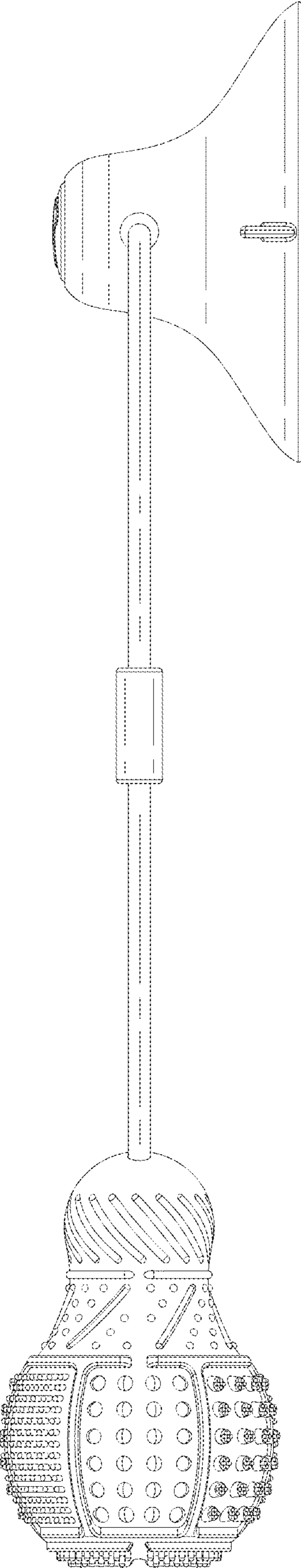


FIG. 3

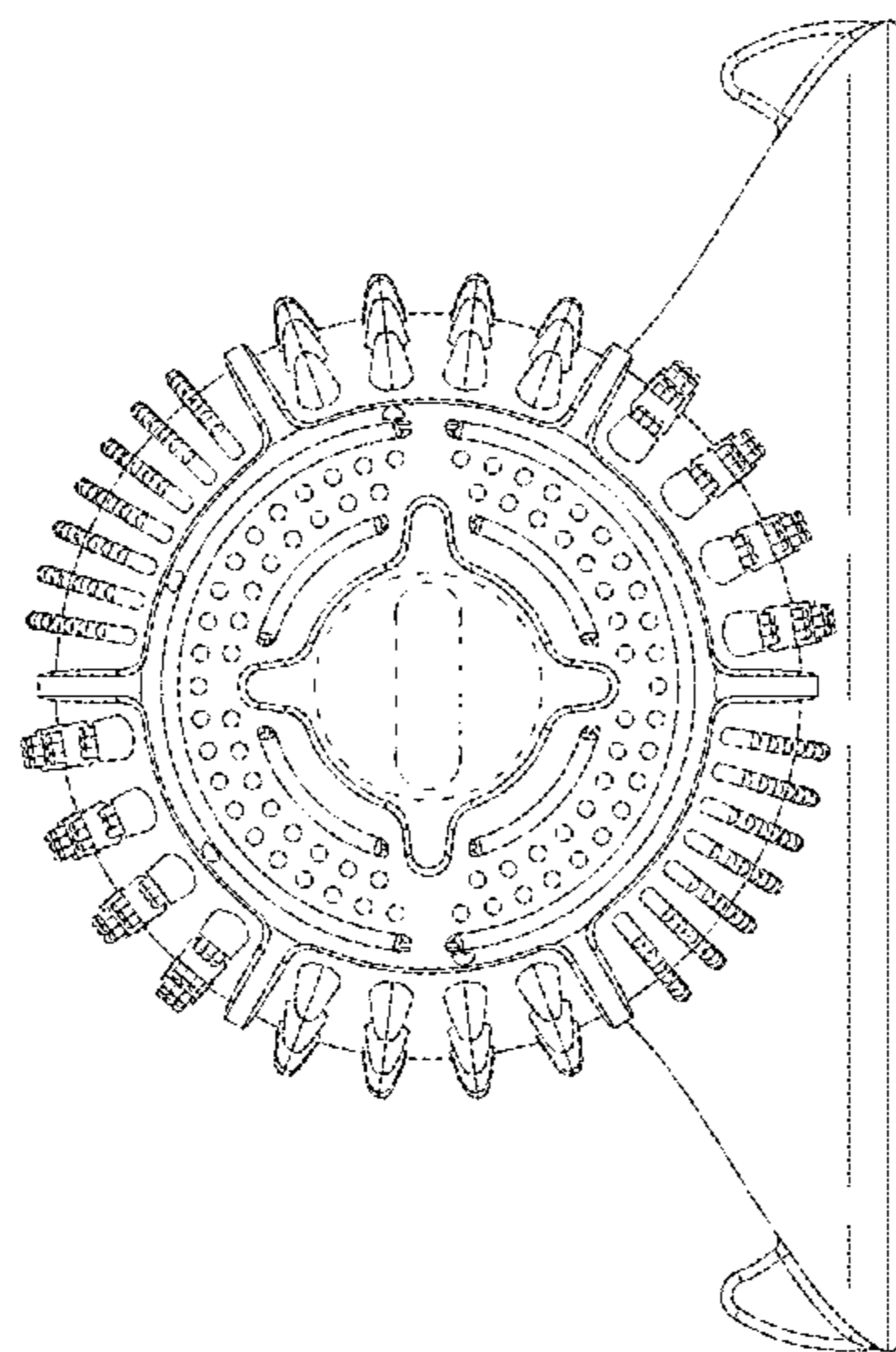


FIG. 4

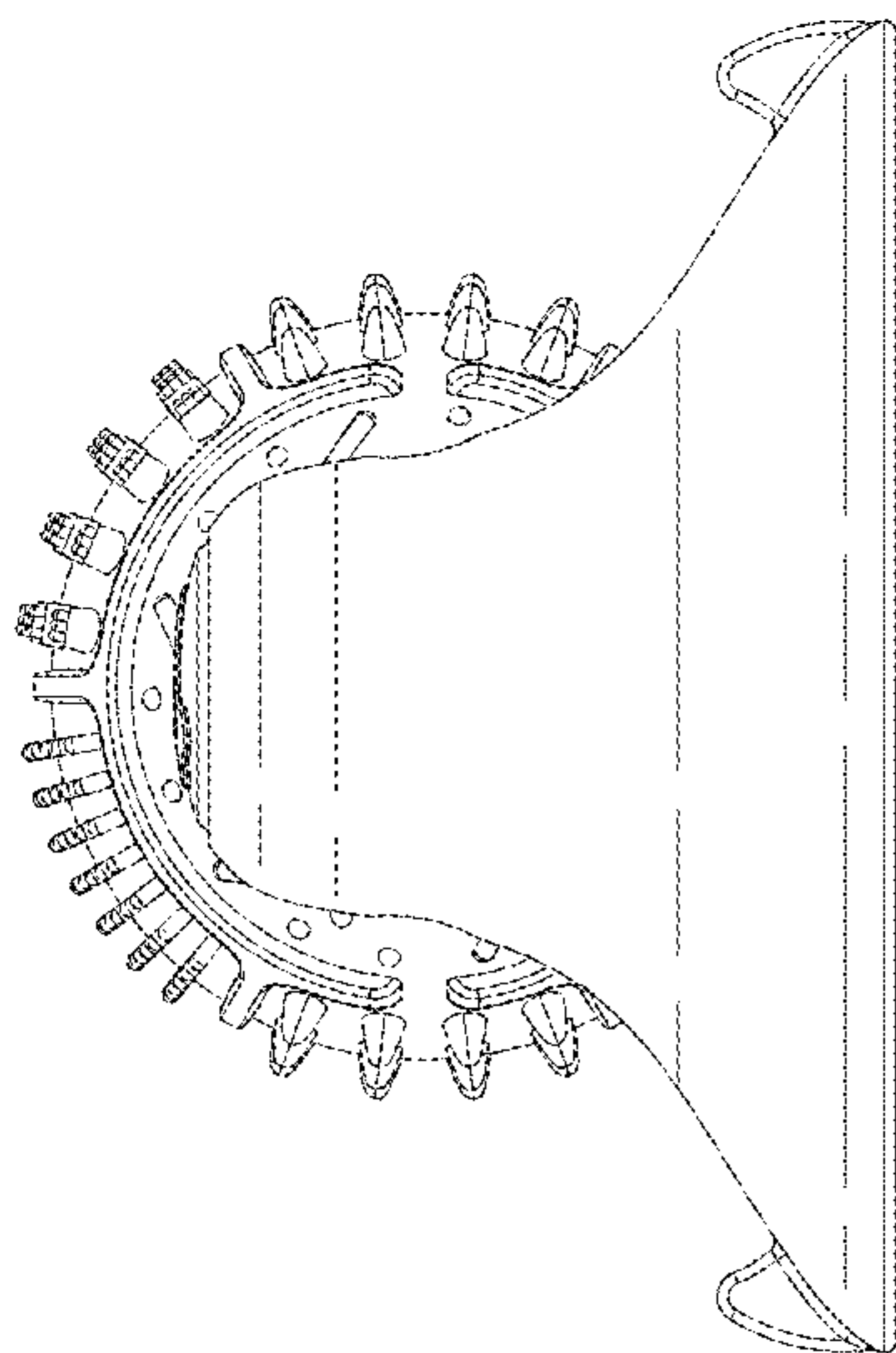


FIG. 5

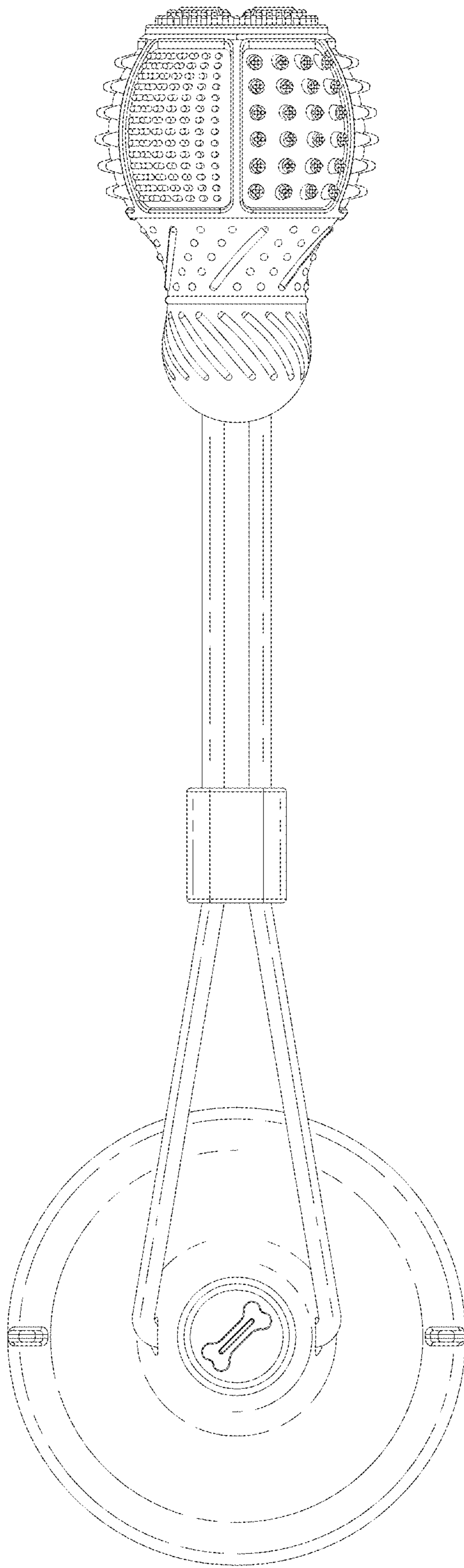


FIG. 6



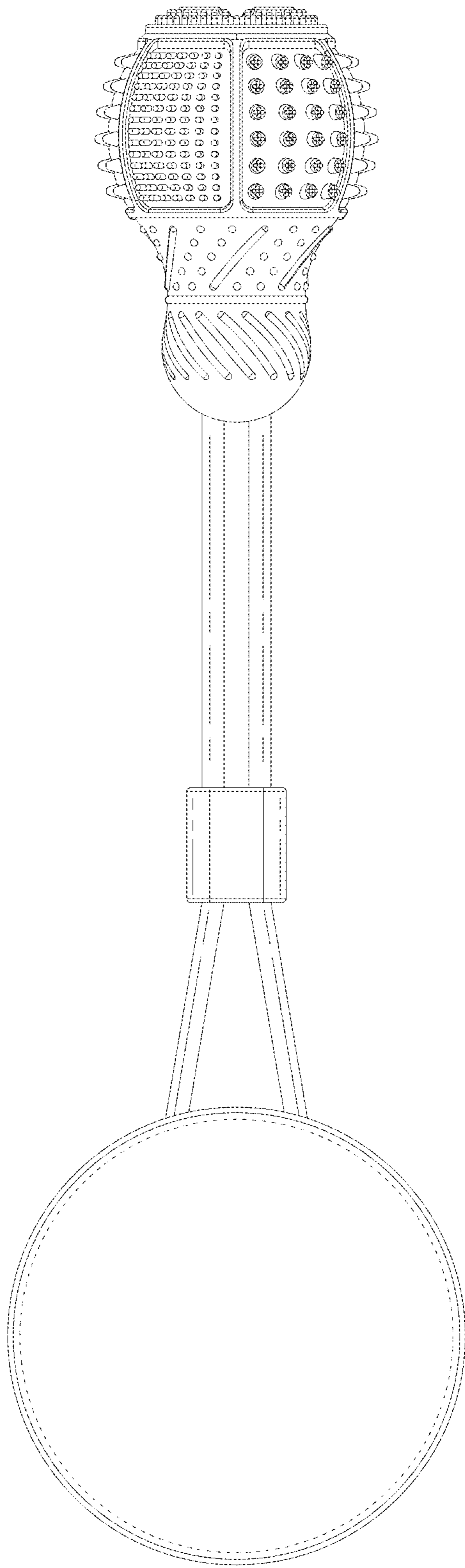


FIG. 7