



US00D920599S

(12) **United States Design Patent** (10) **Patent No.:** **US D920,599 S**
Guo (45) **Date of Patent:** **** May 25, 2021**

- (54) **CAT TREE**
- (71) Applicant: **Zeshan Guo**, Gaoyou (CN)
- (72) Inventor: **Zeshan Guo**, Gaoyou (CN)
- (73) Assignee: **GLOBEGOU WZ CO., LTD**, Zhejiang (CN)
- (**) Term: **15 Years**
- (21) Appl. No.: **29/740,649**
- (22) Filed: **Jul. 6, 2020**
- (51) **LOC (13) Cl.** **30-99**
- (52) **U.S. Cl.**
USPC **D30/160**
- (58) **Field of Classification Search**
USPC D30/108, 118, 119, 158, 160, 199;
119/702, 705-707
CPC ... A01K 15/027; A01K 15/024; A01K 15/025
See application file for complete search history.

(56) **References Cited**

U.S. PATENT DOCUMENTS

D846,206	S	*	4/2019	He	D30/160
D846,818	S	*	4/2019	He	D30/160
D883,585	S	*	5/2020	Song	D30/160
D883,586	S	*	5/2020	Song	D30/160
D884,991	S	*	5/2020	Song	D30/160
D885,691	S	*	5/2020	Song	D30/160
D886,398	S	*	6/2020	Song	D30/160
D891,712	S	*	7/2020	He	D30/160
2016/0360729	A1	*	12/2016	Shi	A01K 15/025
2019/0230896	A1	*	8/2019	Goldman	A01K 1/035

OTHER PUBLICATIONS

“Go Pet Club 62-Inch Cat Tree” available Apr. 15, 2012, [online], [site visited Oct. 14, 2020], Retrieved from Internet, URL:https://

www.amazon.com/Go-Pet-Club-Condo-Furniture/dp/B007UI47PY (Year: 2012).*
“Go Pet Club Cat Tree Furniture Condo” available Feb. 13, 2013, [online], [site visited Oct. 14, 2020], Retrieved from Internet, URL:https://www.amazon.com/Go-Pet-Club-Furniture-67-Inch/dp/B00BFFSCCC?ref=ast_sto_dp&th=1 (Year: 2013).*
“Nova Microdermabrasion 53” available Apr. 26, 2019, [online], [site visited Oct. 14, 2020], Retrieved from Internet, URL:https://www.amazon.com/Nova-Microdermabrasion-Multi-Level-Furniture-Scratching/dp/B07X38NQ26/ref=sr_1_4 (Year: 2019).*

* cited by examiner

Primary Examiner — Michael C Stout
Assistant Examiner — Katrina N Gonzalez
(74) *Attorney, Agent, or Firm* — Justin Lampel

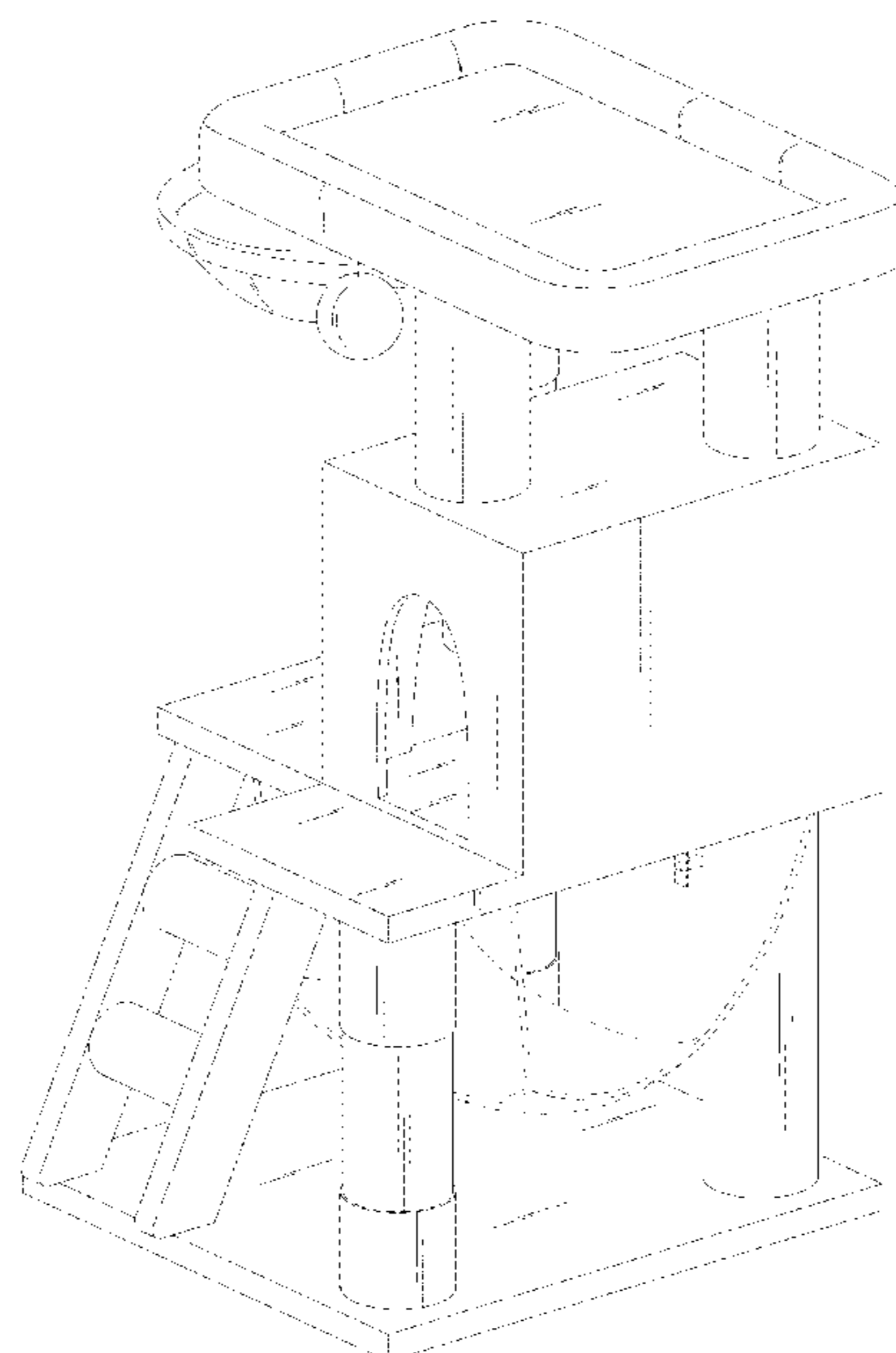
(57) **CLAIM**

The ornamental design for a cat tree, as shown and described.

DESCRIPTION

FIG. 1 is a perspective view of a cat tree showing the claimed design;
FIG. 2 is a top plan view thereof;
FIG. 3 is a left side view thereof;
FIG. 4 is a front elevational view thereof;
FIG. 5 is a right side view thereof;
FIG. 6 is a rear elevational view thereof; and,
FIG. 7 is a bottom plan view thereof.
The broken lines illustrate portions of the cat tree that form no part of the claimed design.

1 Claim, 7 Drawing Sheets



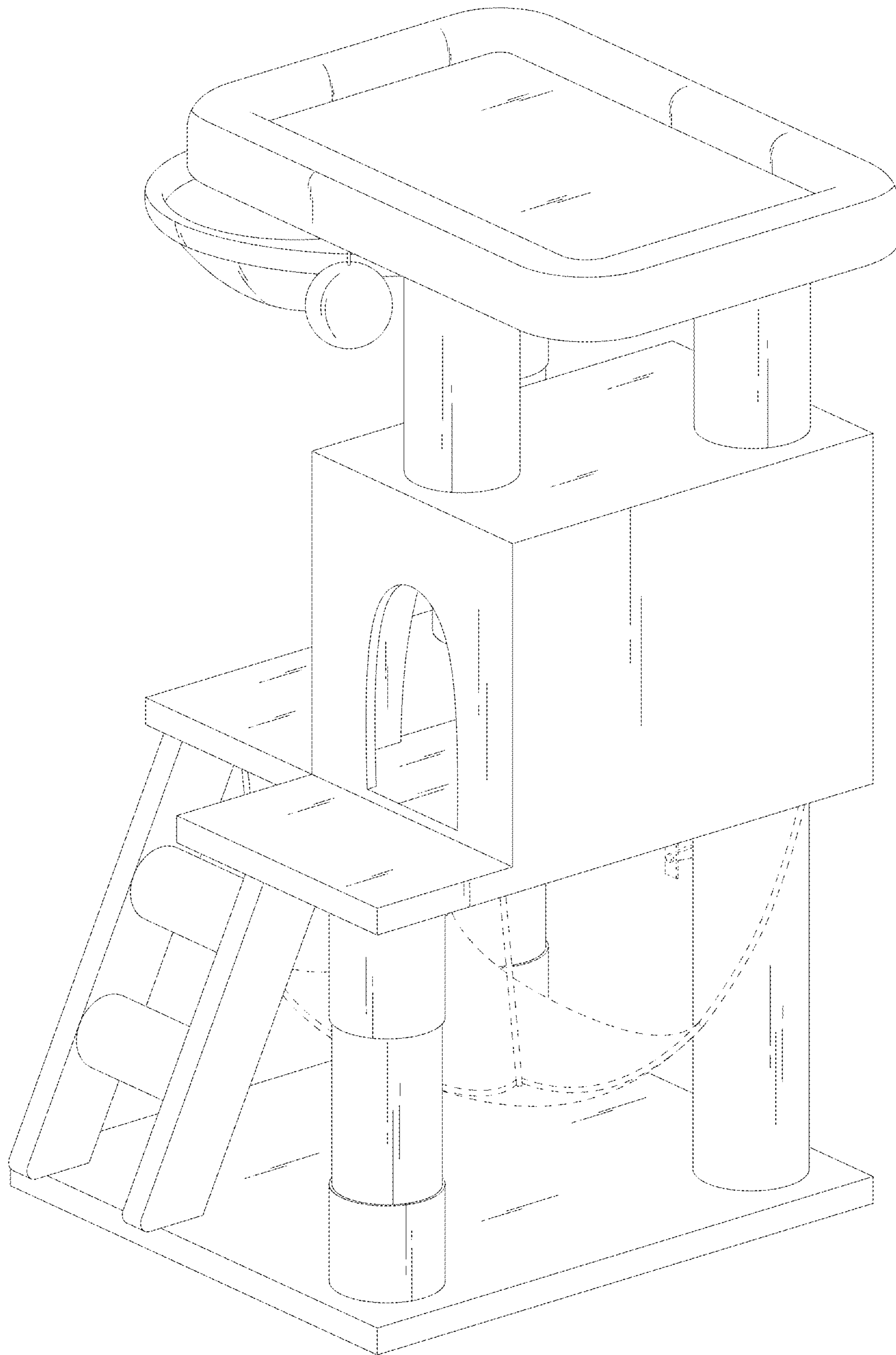


FIG.1

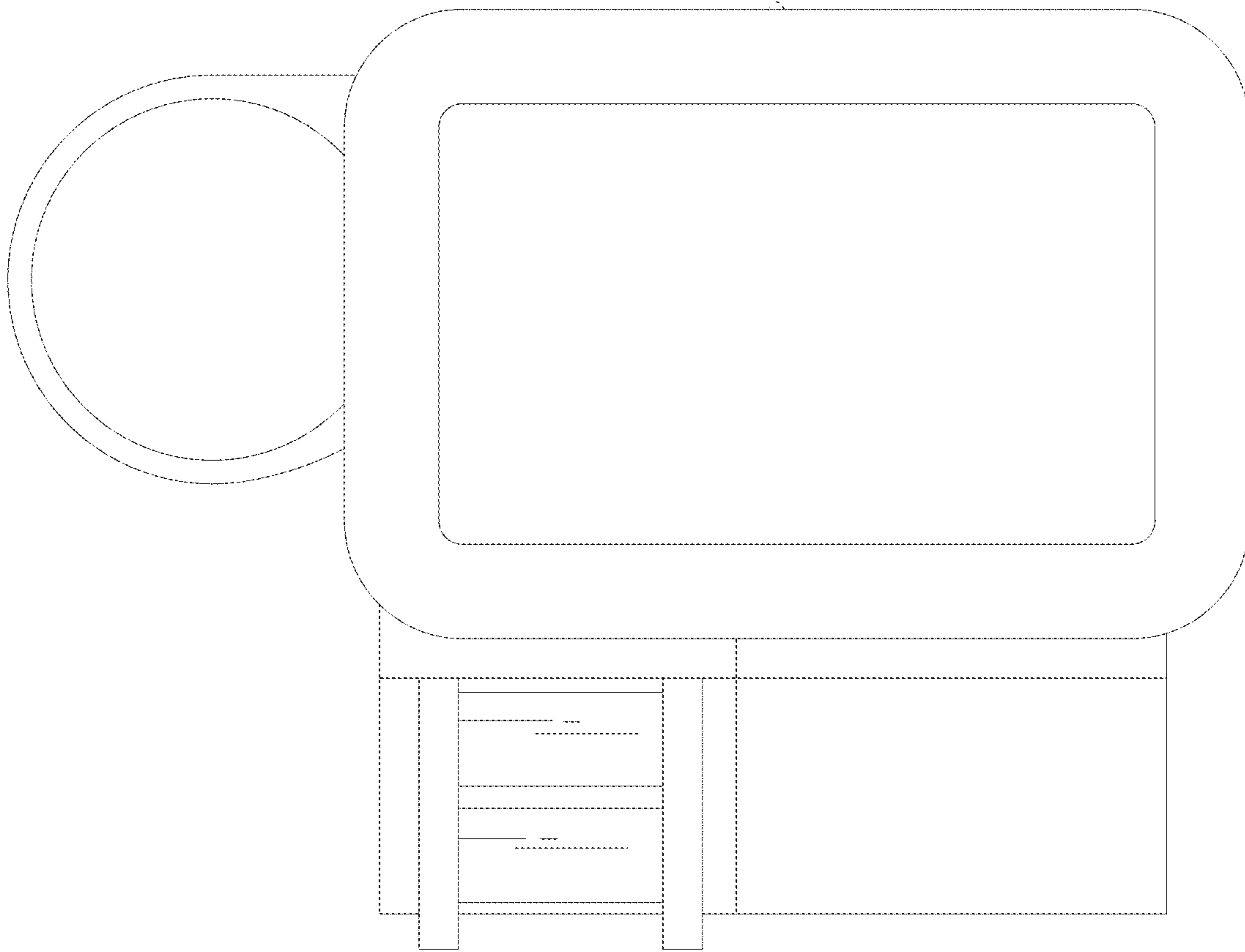


FIG.2

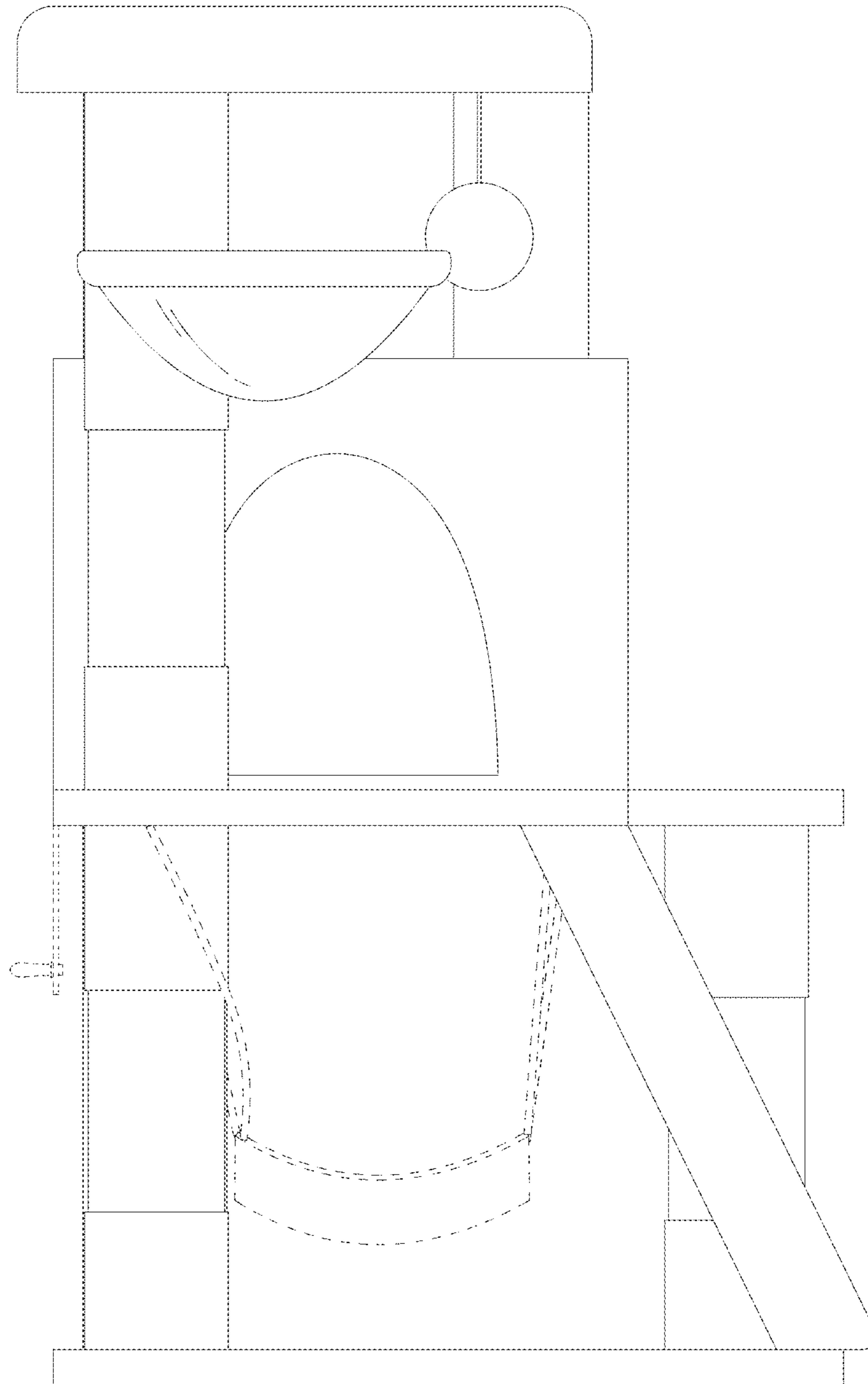


FIG.3

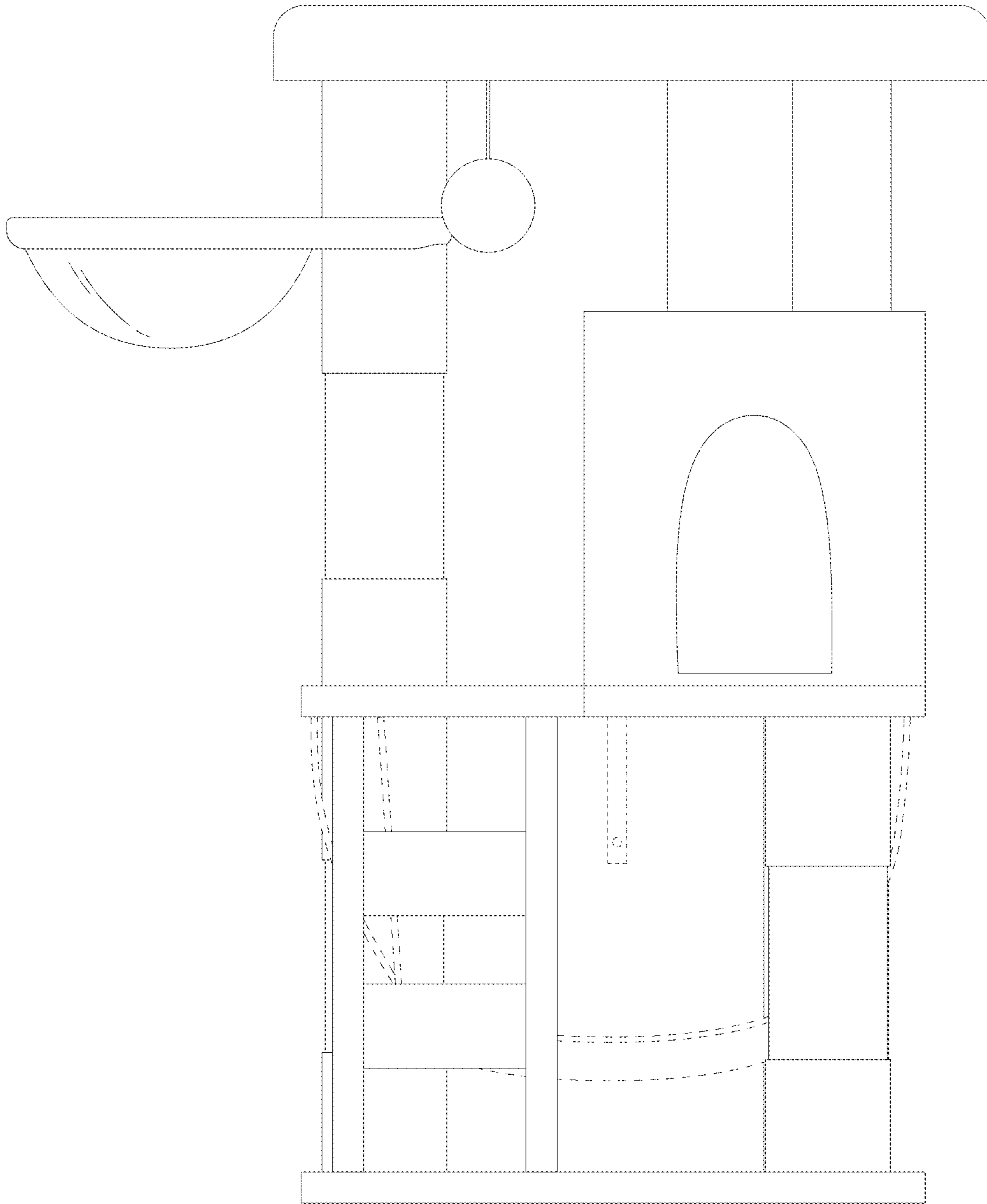


FIG. 4

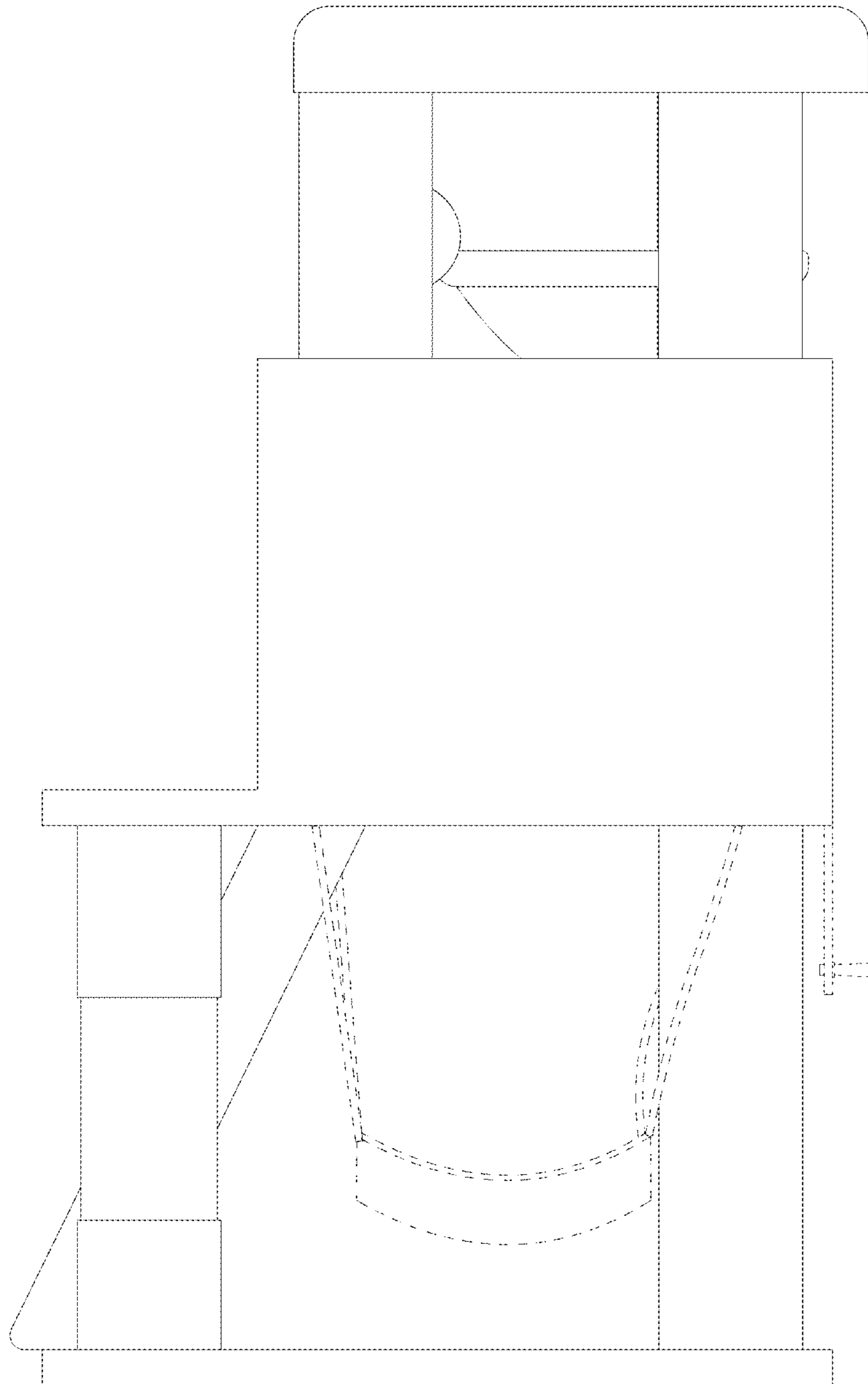


FIG. 5

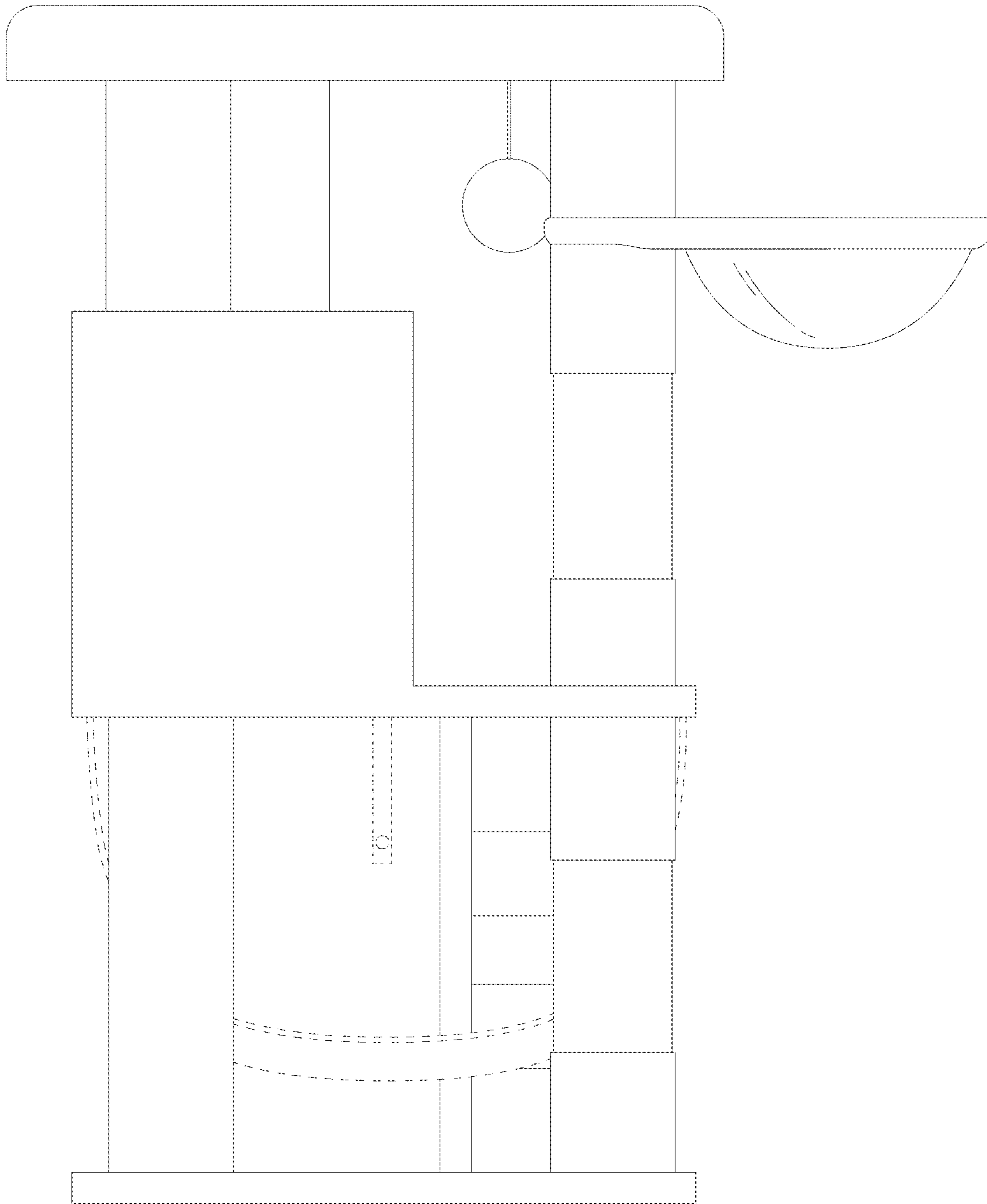


FIG.6

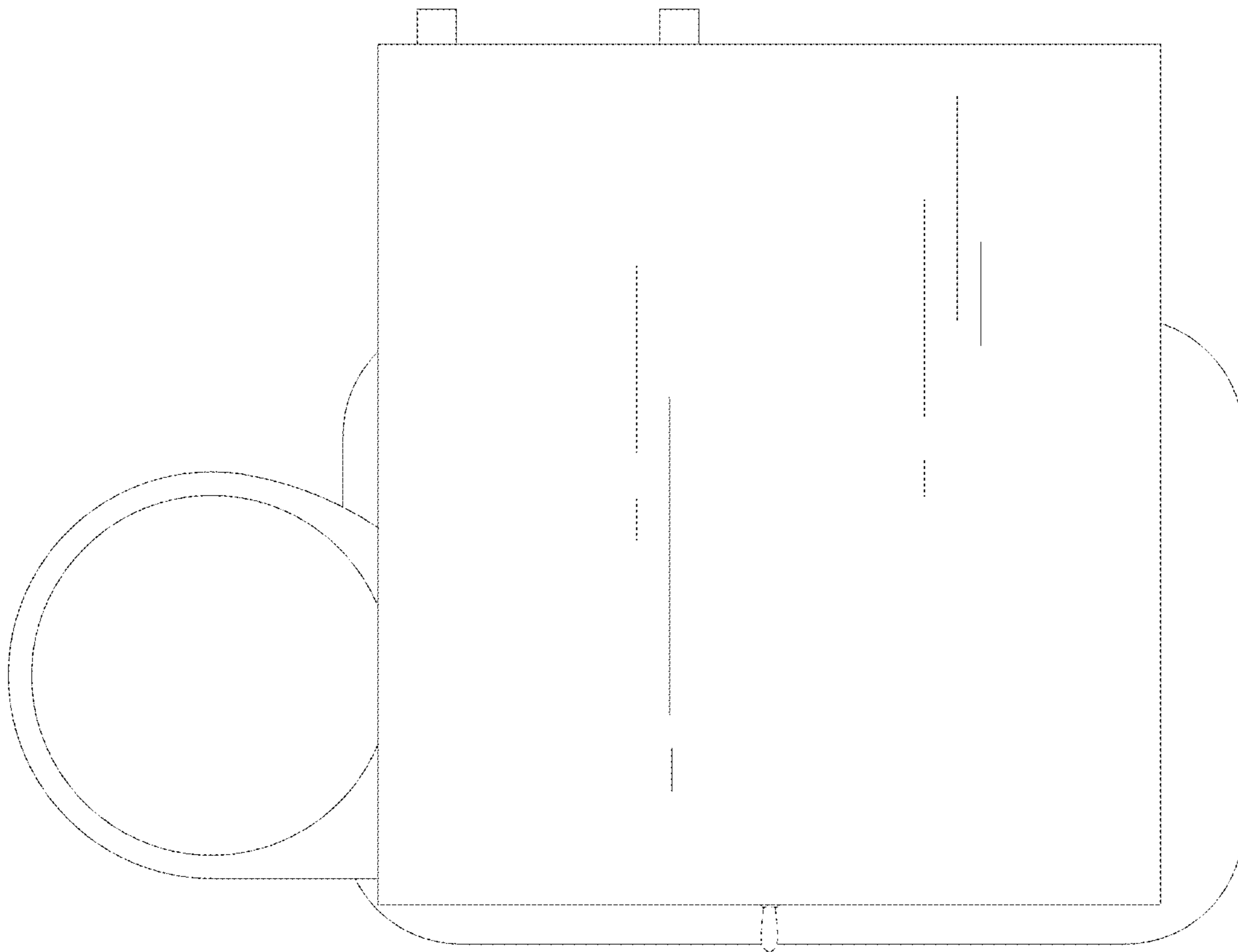


FIG. 7