



US00D920598S

(12) **United States Design Patent** (10) **Patent No.:** **US D920,598 S**  
**He** (45) **Date of Patent:** **\*\* May 25, 2021**

(54) **DOG TOY**

(71) Applicant: **Zhenwang He**, Guangzhou (CN)

(72) Inventor: **Zhenwang He**, Guangzhou (CN)

(\*\*) Term: **15 Years**

(21) Appl. No.: **29/738,209**

(22) Filed: **Jun. 16, 2020**

(51) **LOC (13) Cl.** ..... **30-99**

(52) **U.S. Cl.**  
USPC ..... **D30/160**

(58) **Field of Classification Search**  
USPC ..... D30/158, 159, 160, 199; D21/398, 399,  
D21/412, 455, 460; 119/702, 707  
CPC .. A01K 15/027; A01K 15/024; A01K 15/025;  
A01K 15/26; A01K 15/27; A61J 17/00;  
B65D 17/163; B65D 17/165  
See application file for complete search history.

(56) **References Cited**

**U.S. PATENT DOCUMENTS**

D380,879 S *	7/1997	Hernandez	.....	D21/656
D412,767 S *	8/1999	Bemis	.....	D30/160
D512,189 S	11/2005	Byrne		
D563,492 S *	3/2008	Becker	.....	D21/398
D721,211 S *	1/2015	Lee	.....	D30/160
D814,696 S	4/2018	Zhou		
D819,279 S	5/2018	Gick		
D819,899 S	6/2018	Gick		
D832,928 S *	11/2018	Hoshino	.....	D21/398
D858,907 S	9/2019	Gick		

**OTHER PUBLICATIONS**

“Pet IQ Treat Ball” available Apr. 18, 2020, [online]. [site visited Sep. 12, 2020]. Retrieved from Internet, URL: [https://www.amazon.com/Dispensing-Interactive-Increases-Stimulation-Tumbler/dp/B08792B4L5/ref=asc\\_df\\_B08792B4L5/](https://www.amazon.com/Dispensing-Interactive-Increases-Stimulation-Tumbler/dp/B08792B4L5/ref=asc_df_B08792B4L5/) (Year: 2020).\*

\* cited by examiner

*Primary Examiner* — Michael C Stout

*Assistant Examiner* — Katrina N Gonzalez

(74) *Attorney, Agent, or Firm* — Rumit Ranjit Kanakia

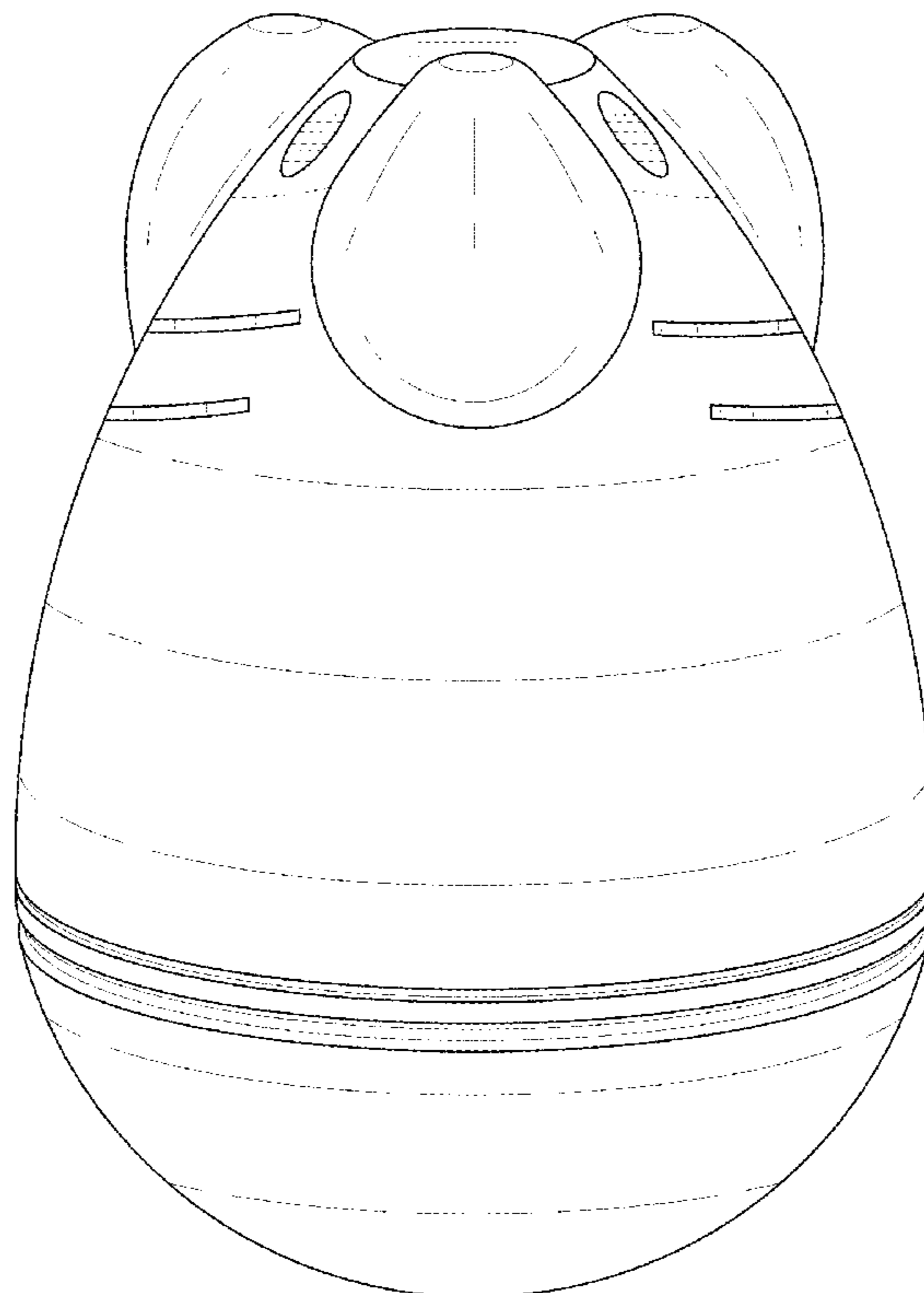
(57) **CLAIM**

I claim the ornamental design for a dog toy, as shown and described.

**DESCRIPTION**

FIG. 1 is a Perspective view of a dog toy showing my new design;  
FIG. 2 is a Front view thereof;  
FIG. 3 is a Back view thereof;  
FIG. 4 is a Right-side view thereof;  
FIG. 5 is a Left-side view thereof;  
FIG. 6 is a Top view thereof; and,  
FIG. 7 is a Bottom view thereof.  
The broken lines in the drawings depict portions of the dog toy that form no part of the claimed design.

**1 Claim, 7 Drawing Sheets**



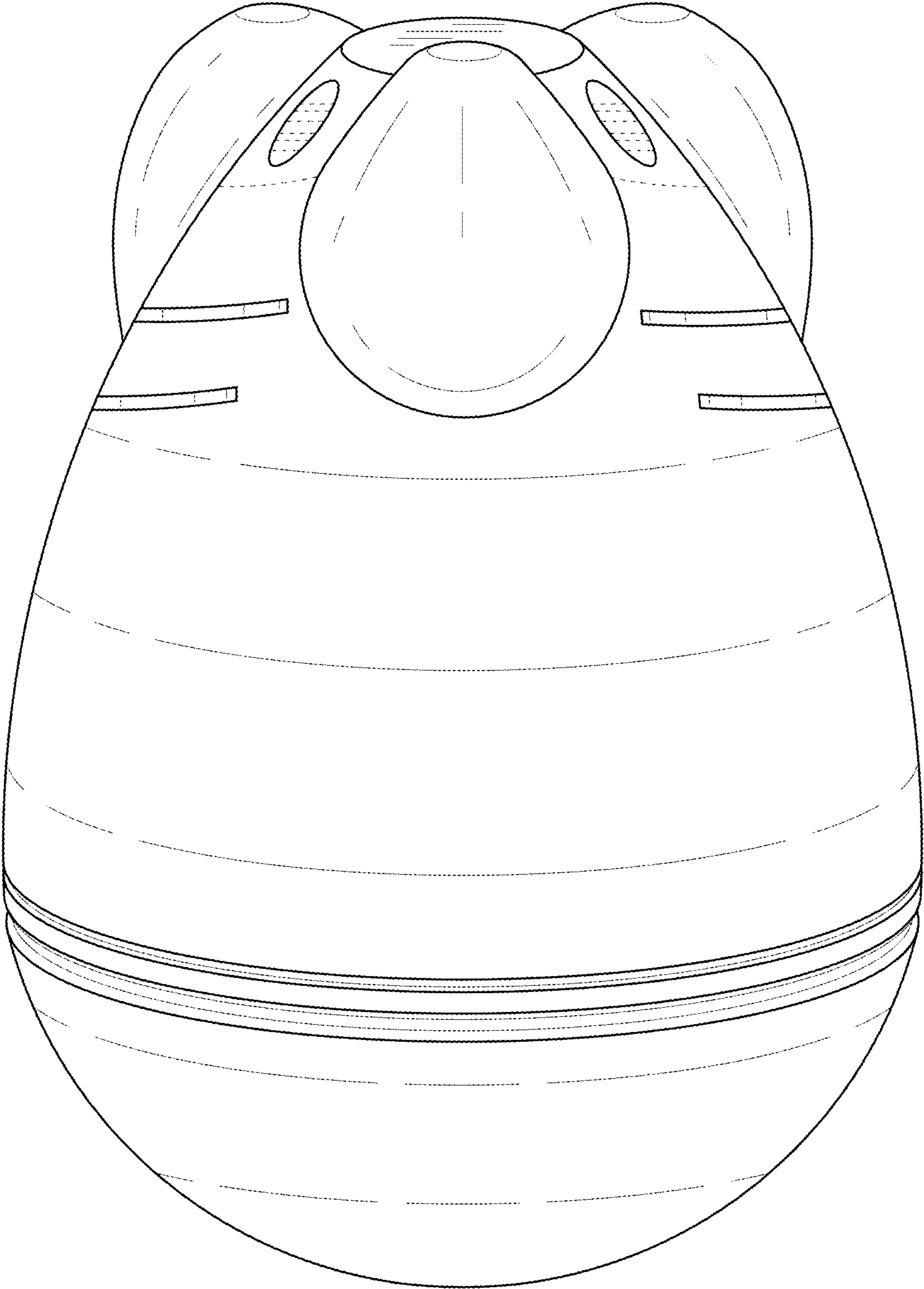


FIG. 1

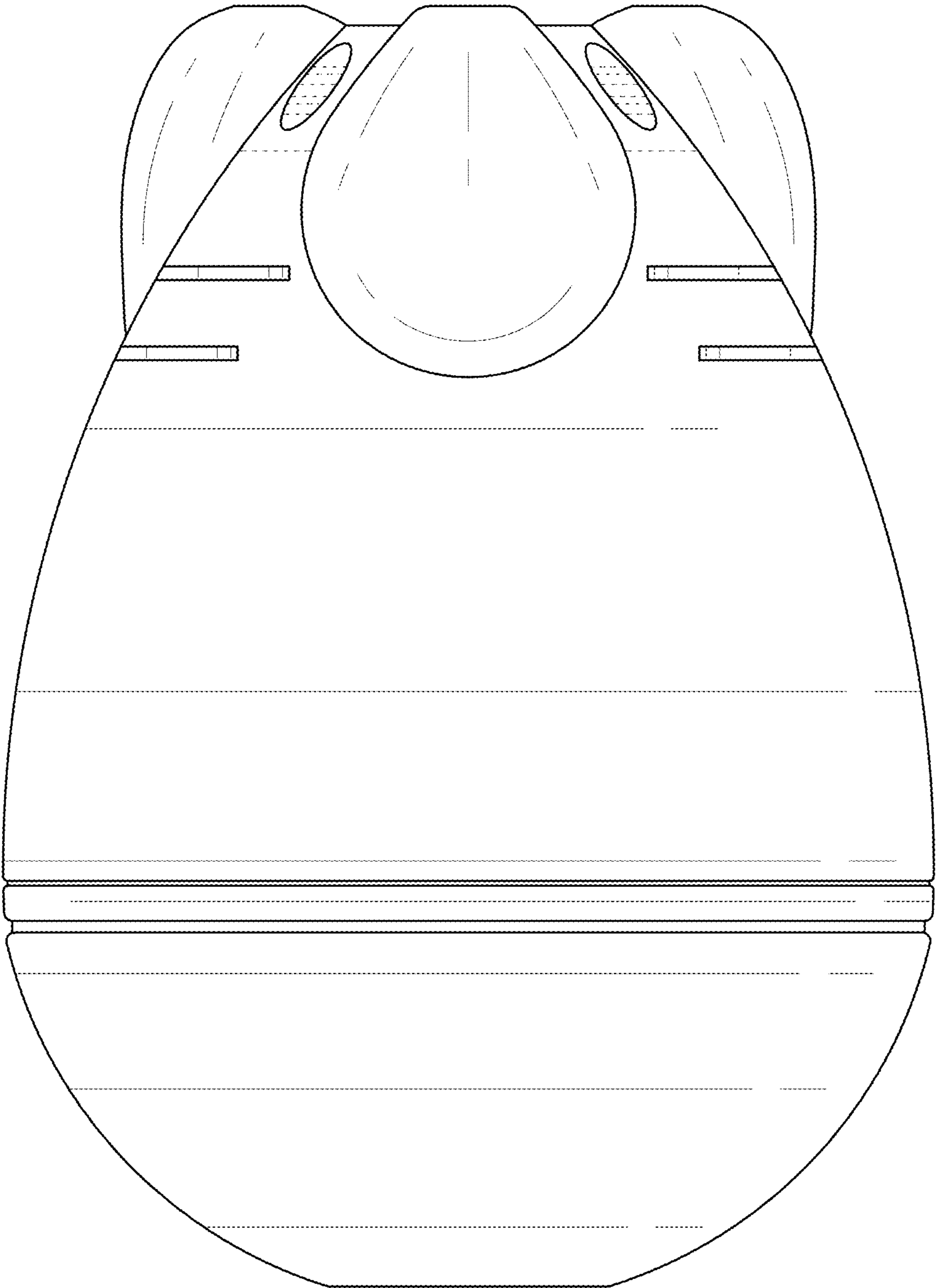


FIG. 2

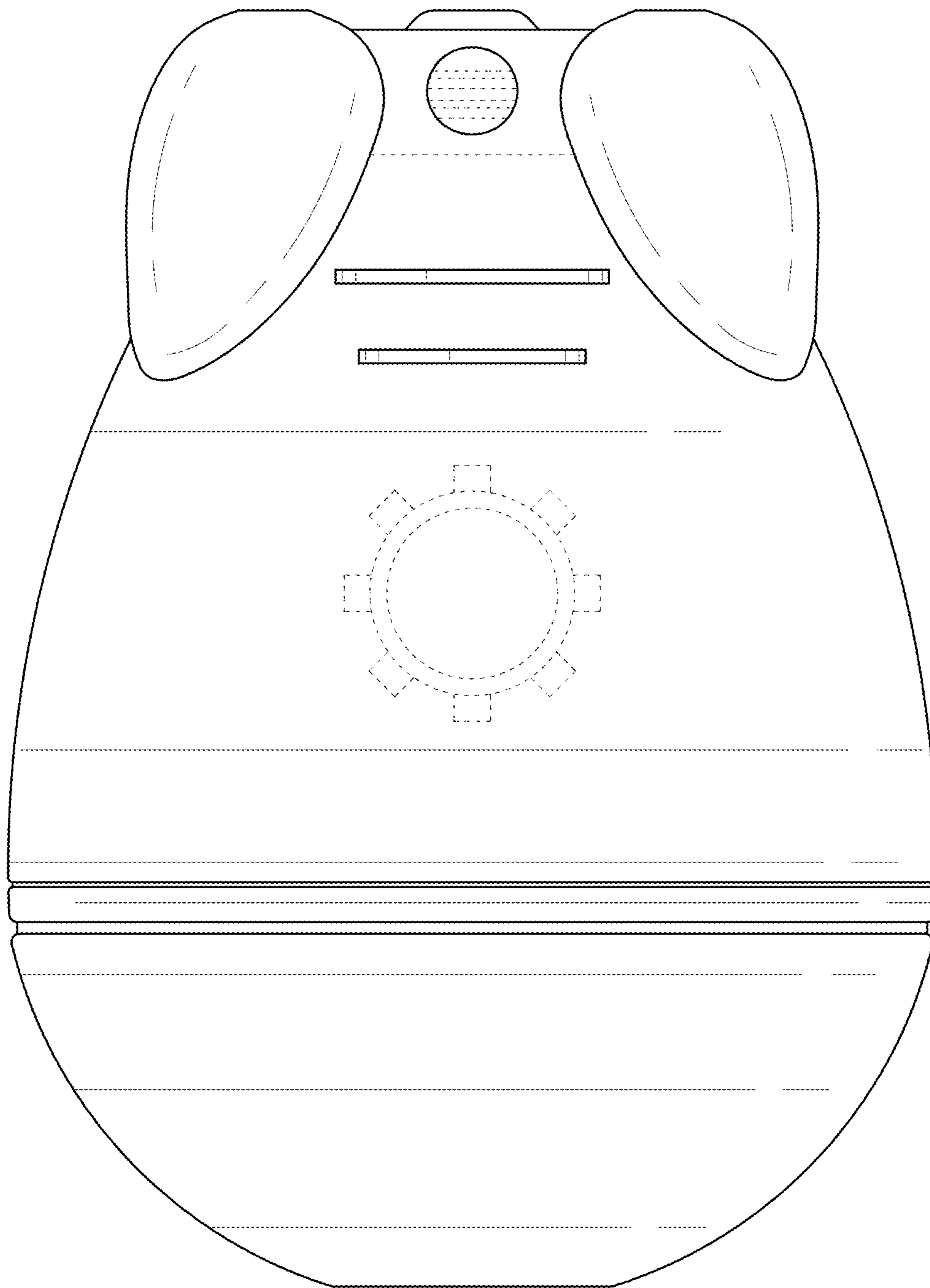


FIG. 3

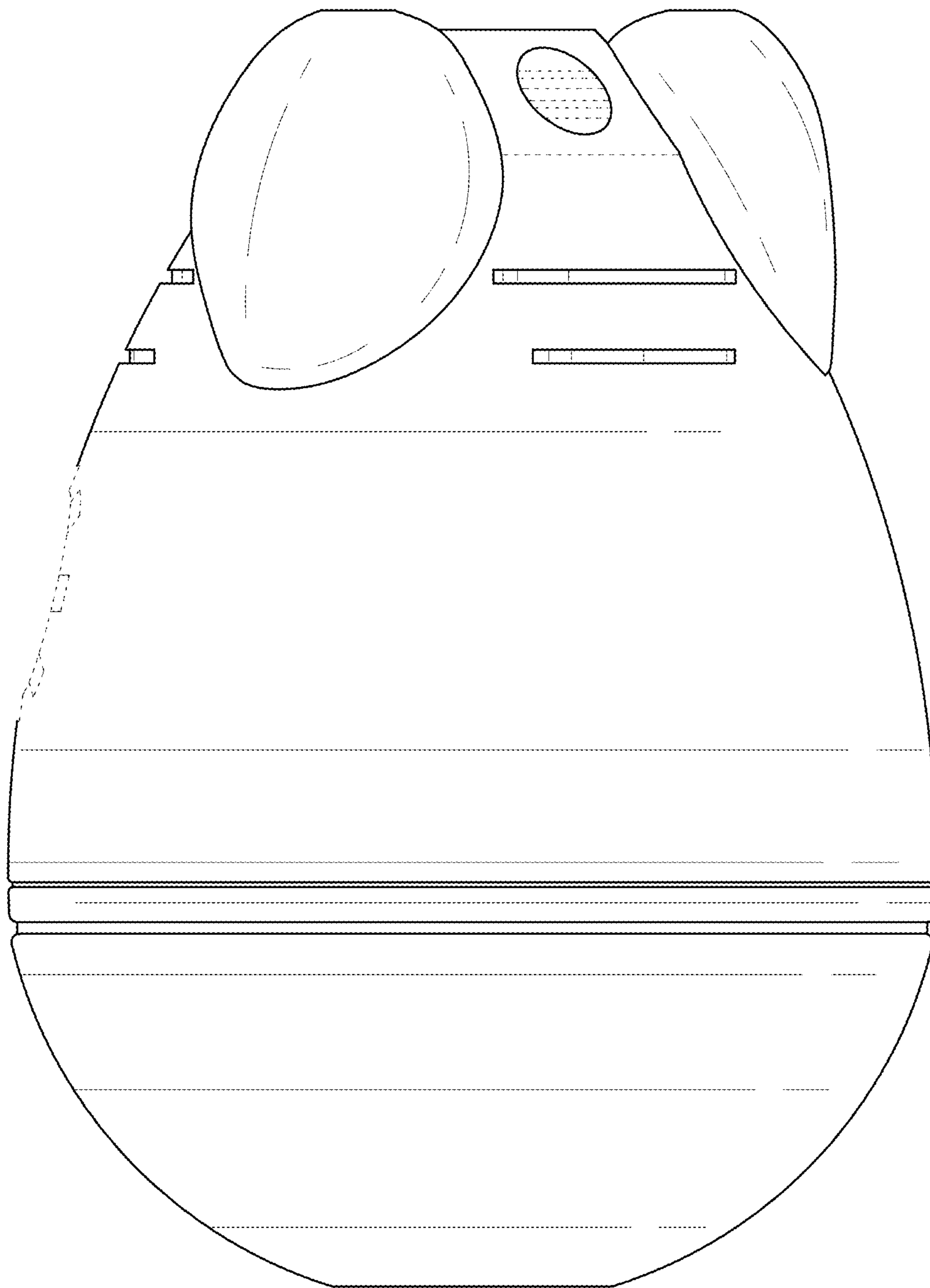


FIG. 4

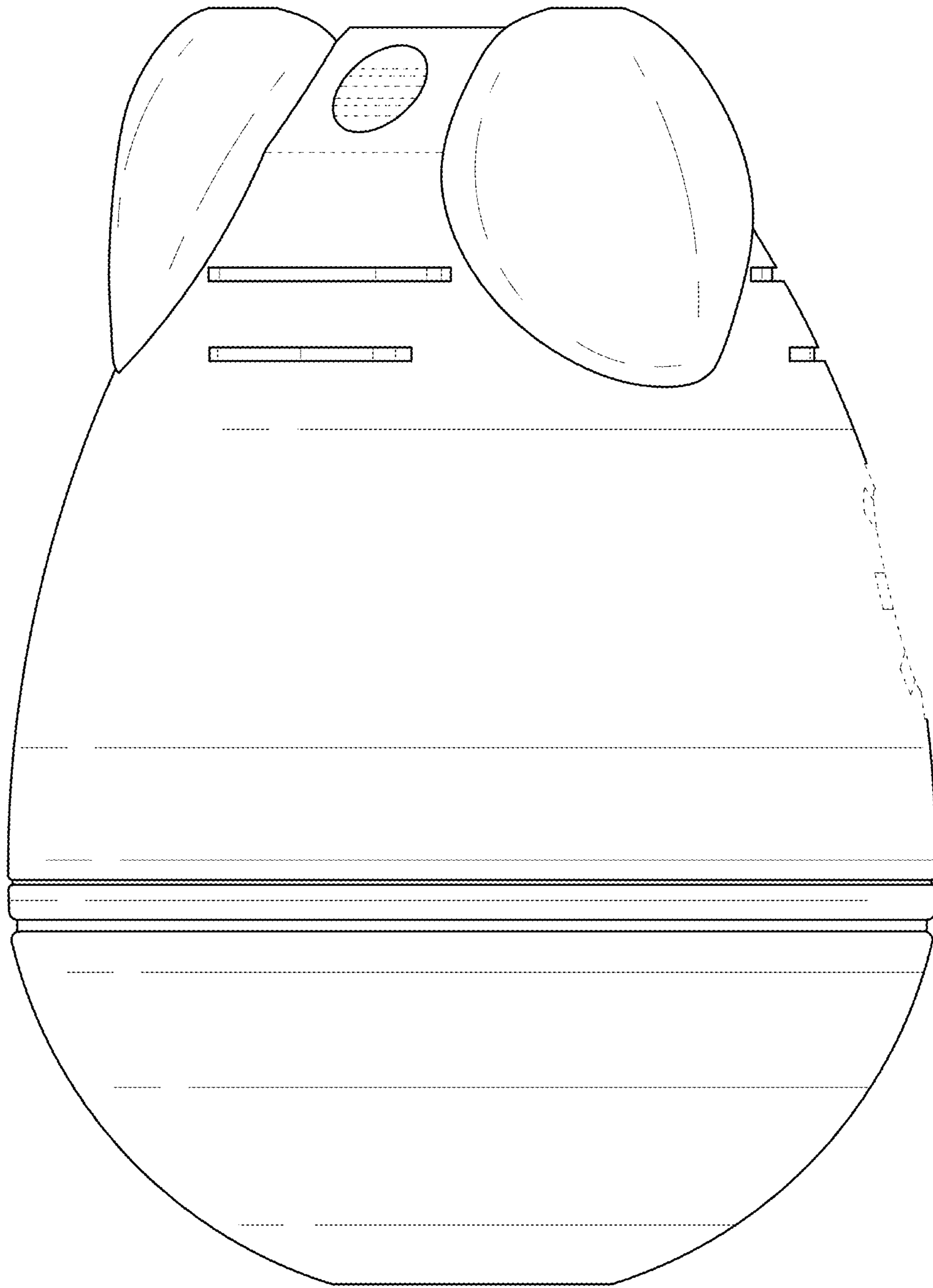


FIG. 5

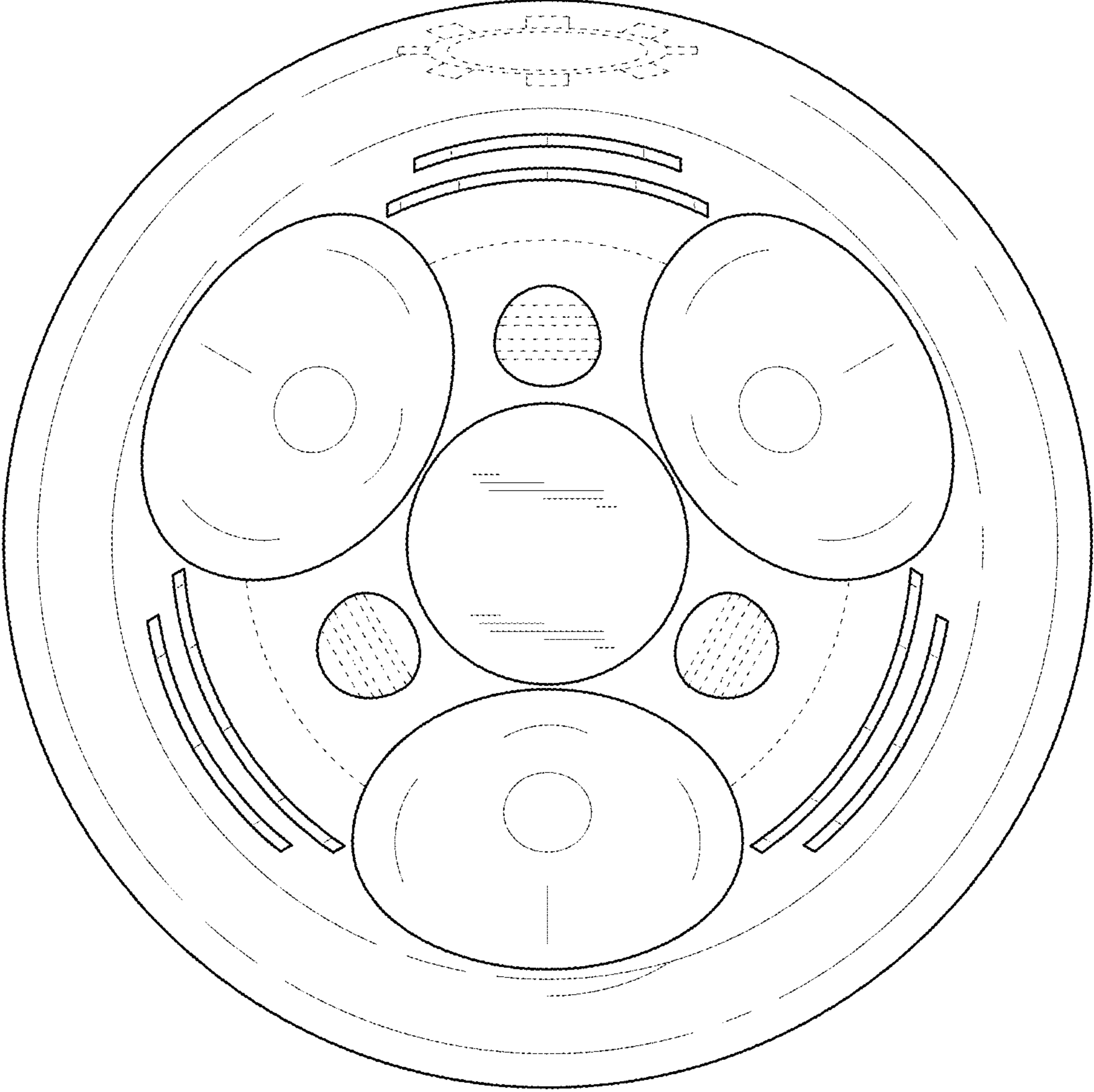


FIG. 6

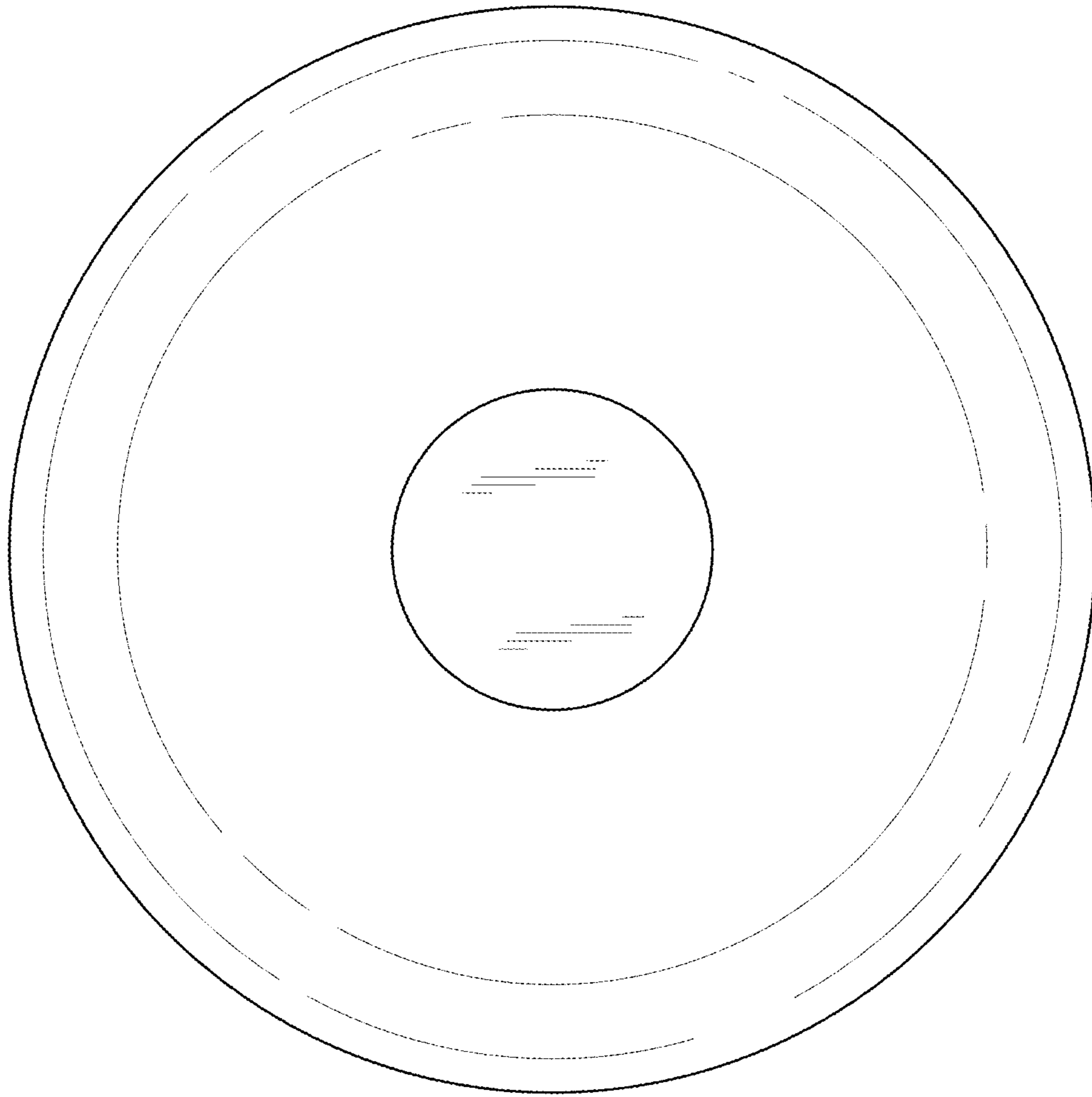


FIG. 7