



US00D920594S

(12) **United States Design Patent** (10) **Patent No.:** **US D920,594 S**
Jordan (45) **Date of Patent:** **** May 25, 2021**

(54) **DEER FEEDER**

(71) Applicant: **JORDAN OUTDOOR ENTERPRISES, LTD.**, Columbus, GA (US)
(72) Inventor: **William R. Jordan**, Columbus, GA (US)
(73) Assignee: **JORDAN OUTDOOR ENTERPRISES, LTD.**, Columbus, GA (US)
(**) Term: **15 Years**

(21) Appl. No.: **29/715,415**
(22) Filed: **Dec. 2, 2019**
(51) **LOC (13) Cl.** **30-03**
(52) **U.S. Cl.**
USPC **D30/131**
(58) **Field of Classification Search**
USPC D30/121, 122, 130-133, 199; 47/24.1, 47/70; 119/51.01, 51.5, 61.5, 61.52, 119/61.53, 61.54, 61.55, 72, 73
CPC . A01K 5/00; A01K 7/00; A01K 39/02; A01K 39/04; A01K 39/0213
See application file for complete search history.

(56) **References Cited**

U.S. PATENT DOCUMENTS

436,112 A *	9/1890	Atkinson	A01K 5/01 119/58
6,990,925 B2 *	1/2006	Banks	A01K 5/01 119/61.1
D637,361 S *	5/2011	Jeffries	D30/131
D643,647 S *	8/2011	Owen	D6/403
D720,895 S *	1/2015	Yates	D30/121
D722,527 S *	2/2015	Rivard	D11/156
D762,016 S *	7/2016	Yates	D30/121

OTHER PUBLICATIONS

“Trough Style Feeders—Facebook” available Feb. 26, 2019, [online], [site visited Dec. 17, 2020]. Retrieved from Internet, URL: <https://www.facebook.com/saddaddyhuntingblinds/posts/trough-style-feedersgreat-for-deer-or-agricultural-purposesground-contact-treat/1233209993501977/> (Year: 2019).*
“Summer Project Idea_ DIY Deer Feeder _ Mossy Oak” available Jun. 17, 2016, [online], [site visited Dec. 17, 2020]. Retrieved from Internet, URL: <https://www.mossoak.com/our-obsession/blogs/how-to/summer-project-idea-diy-deer-feeder> (Year: 2016).*
“How to Build a Covered Wooden Deer Feeder” available Sep. 21, 2018, [online], [site visited Dec. 17, 2020]. Retrieved from Internet, URL: <https://www.youtube.com/watch?v=EZthRfDDBxQ> (Year: 2018).*

* cited by examiner

Primary Examiner — Michael C Stout
Assistant Examiner — Katrina N Gonzalez
(74) *Attorney, Agent, or Firm* — Eversheds Sutherland (US) LLP

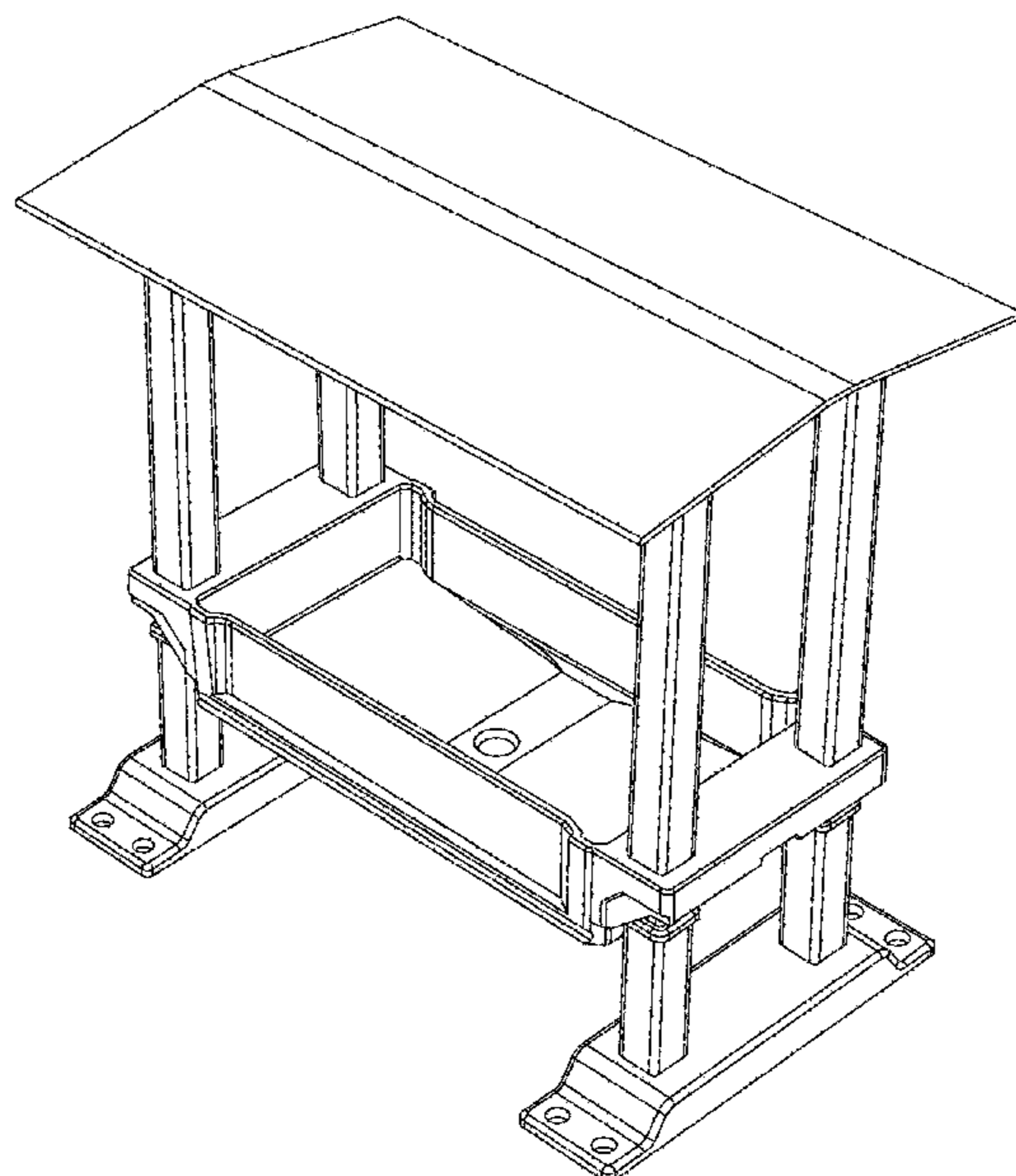
(57) **CLAIM**

The ornamental design for a deer feeder, as shown and described.

DESCRIPTION

FIG. 1 is a perspective view of a deer feeder showing my design;
FIG. 2 is a front view thereof;
FIG. 3 is a rear view thereof;
FIG. 4 is a left side view thereof;
FIG. 5 is a right side view thereof; and,
FIG. 6 is a top view thereof.
The broken lines illustrate portions of the deer feeder that form no part of the claimed design.

1 Claim, 6 Drawing Sheets



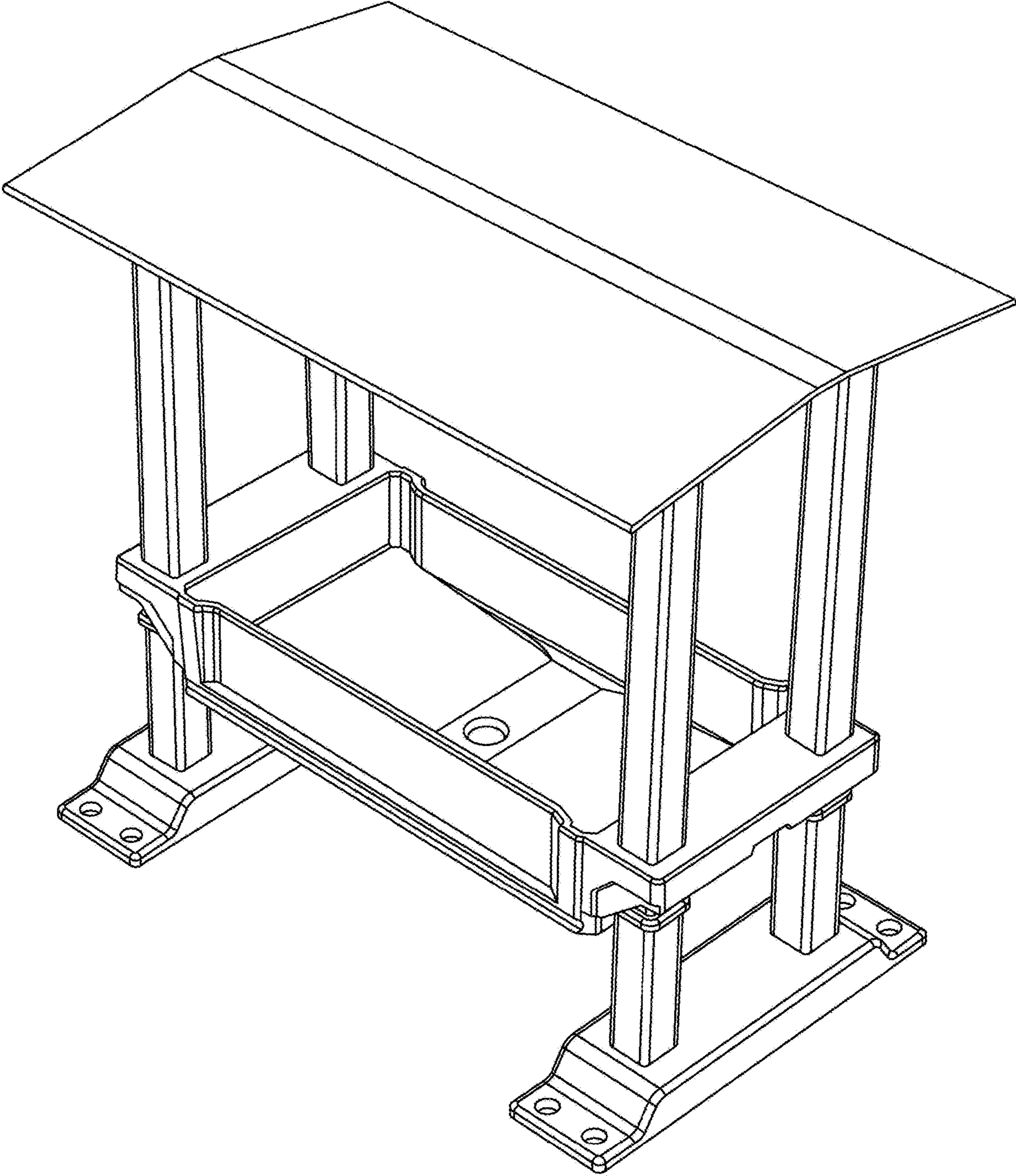


FIG. 1

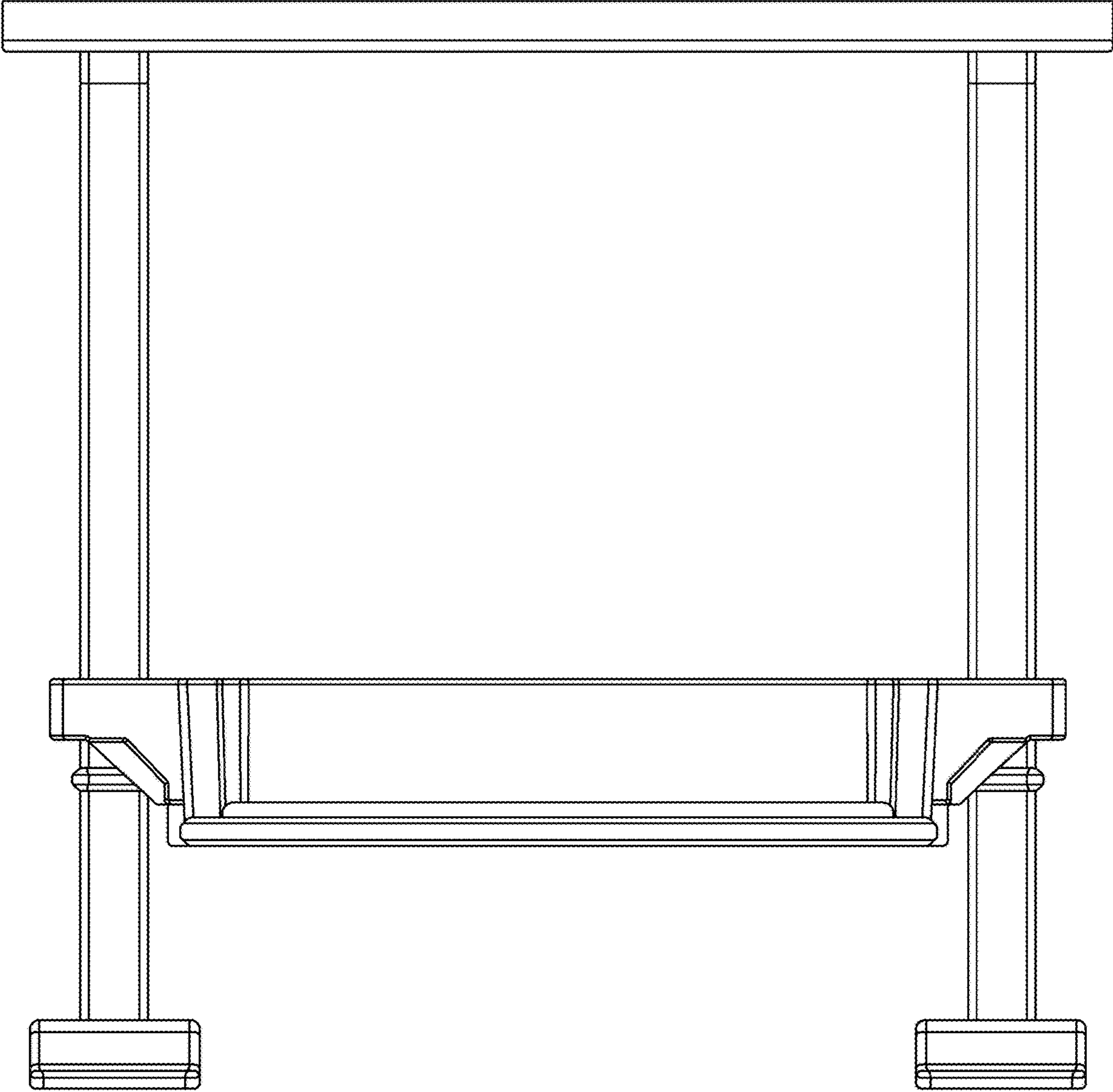


FIG. 2

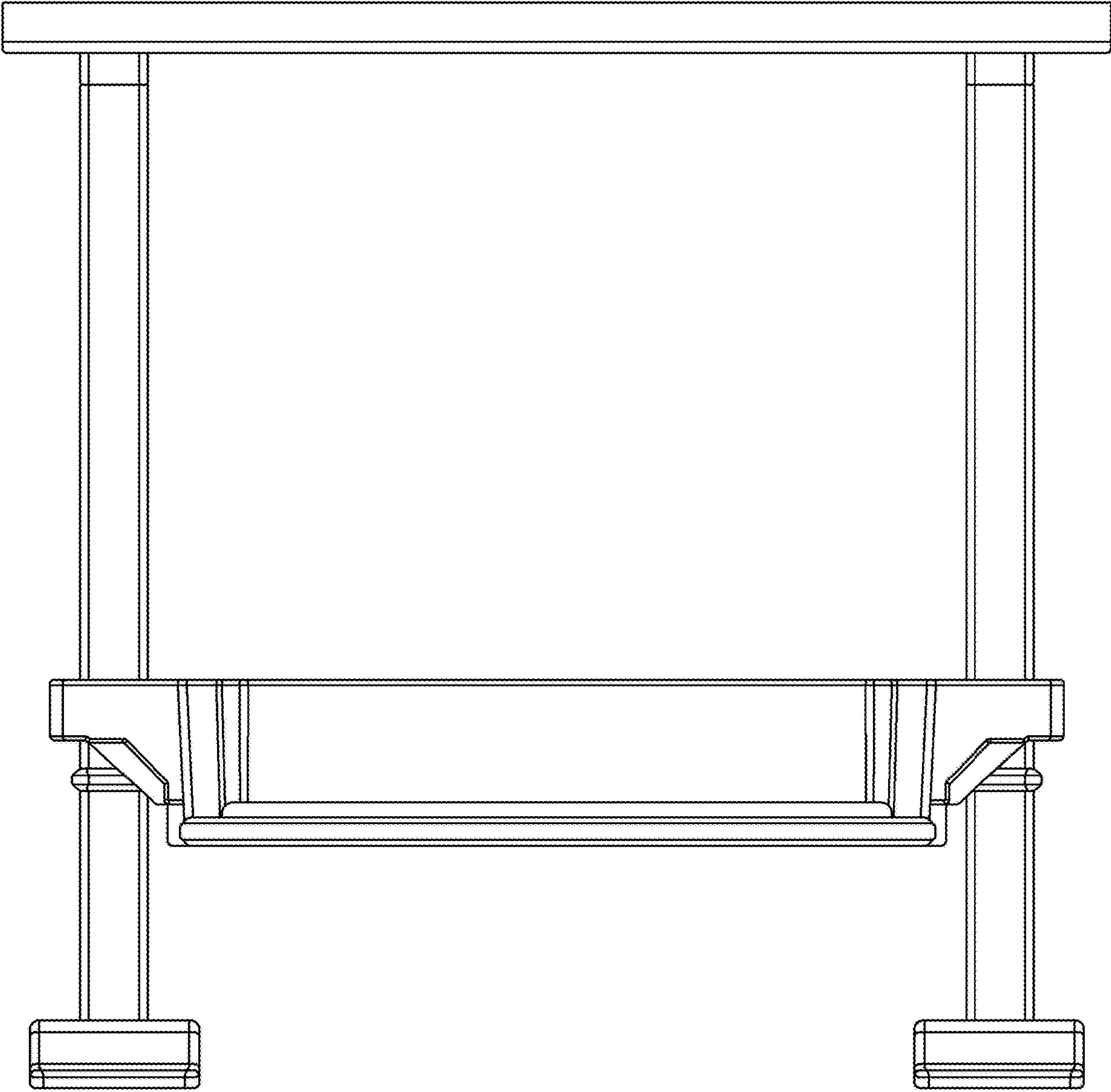


FIG. 3

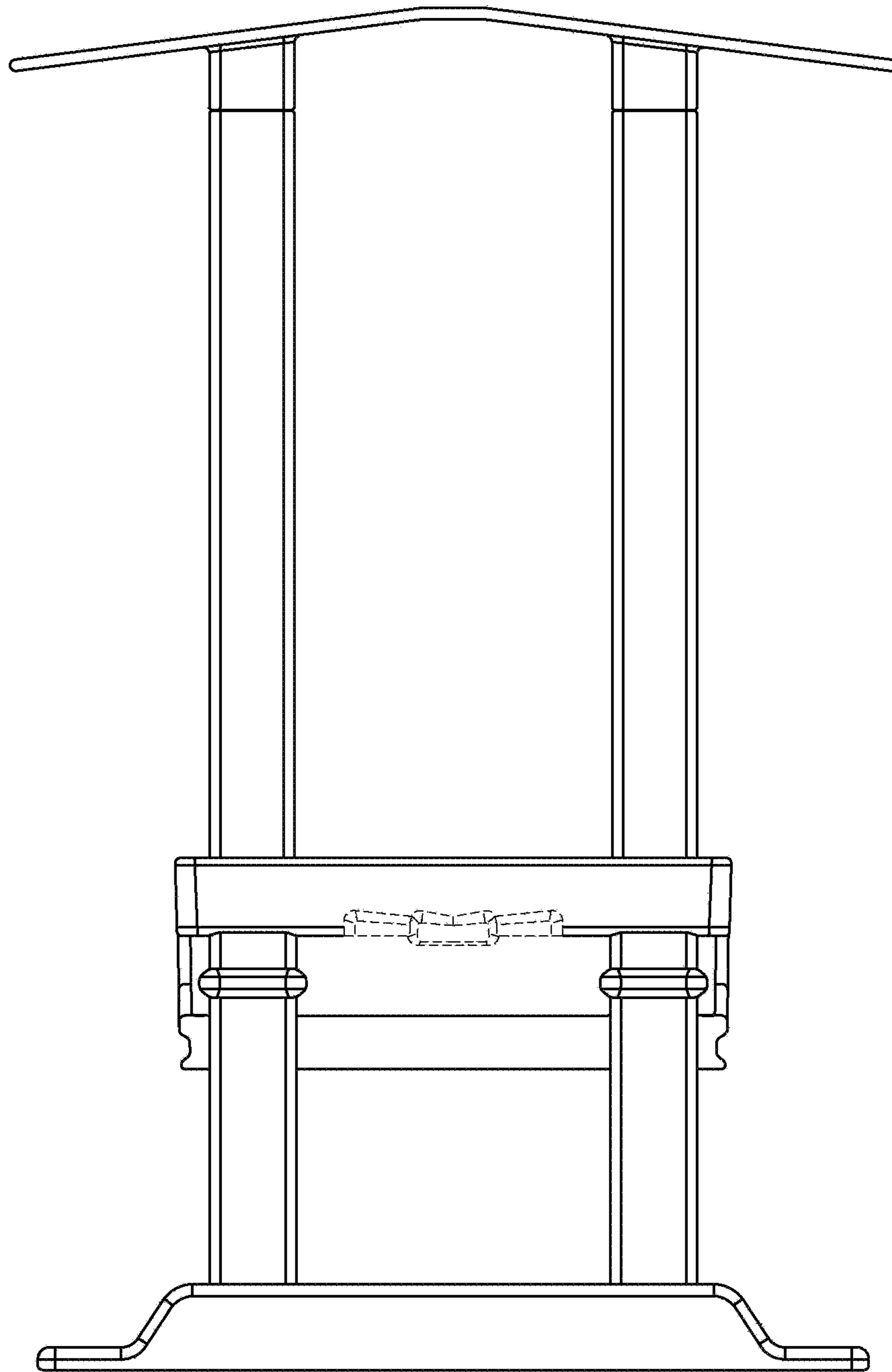


FIG. 4

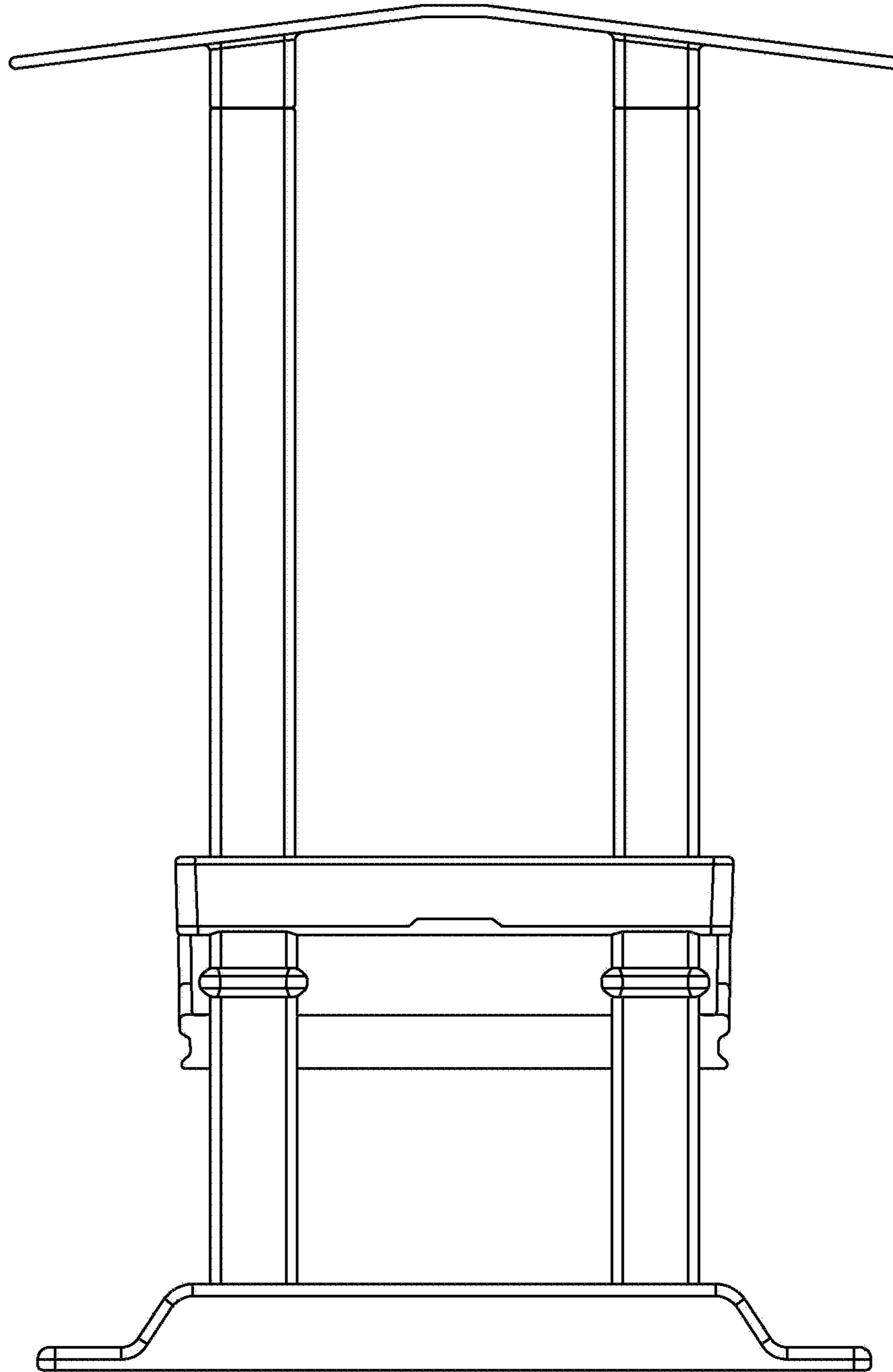


FIG. 5



FIG. 6