



US00D920591S

(12) **United States Design Patent**  
**Jorgensen**

(10) **Patent No.:** **US D920,591 S**

(45) **Date of Patent:** **\*\* May 25, 2021**

(54) **SPRING CRATE FASTENER**

(71) Applicant: **S.P.E.P. ACQUISITION CORP.**, Long Beach, CA (US)

(72) Inventor: **Bret Jorgensen**, Long Beach, CA (US)

(73) Assignee: **S.P.E.P. ACQUISITION CORP.**, Long Beach, CA (US)

(\*\*) Term: **15 Years**

(21) Appl. No.: **29/696,924**

(22) Filed: **Jul. 2, 2019**

(51) **LOC (13) Cl.** ..... **30-02**

(52) **U.S. Cl.**  
USPC ..... **D30/119**

(58) **Field of Classification Search**  
USPC ..... D30/119, 133, 143; D8/331, 367, 370, D8/373, 395  
CPC ..... B65D 45/16; B65D 45/18; A01K 1/00; A01K 1/0035; F16B 12/32  
See application file for complete search history.

(56) **References Cited**

**U.S. PATENT DOCUMENTS**

- 1,097,258 A \* 5/1914 Noble ..... A47B 96/061  
248/224.7
- 1,469,595 A \* 10/1923 Hick ..... B60R 16/04  
180/68.5
- 1,724,362 A \* 8/1929 Peterson ..... B65D 45/18  
292/87
- 2,636,704 A \* 4/1953 Norberg ..... F16L 3/003  
248/79
- 3,154,828 A \* 11/1964 Bonde ..... B65D 9/32  
217/65
- D257,946 S \* 1/1981 Fischer ..... D8/370
- D265,053 S \* 6/1982 Aerne ..... D8/370
- D283,787 S \* 5/1986 Chap ..... D8/370

- D338,700 S \* 8/1993 Webb ..... D21/786
- D354,079 S \* 1/1995 Shapiro ..... D30/133
- D367,000 S \* 2/1996 Martin ..... D7/619.1
- 5,996,955 A \* 12/1999 Chen ..... F16B 12/32  
248/249
- 6,203,235 B1 \* 3/2001 Bonde ..... B65D 9/24  
16/384

(Continued)

**OTHER PUBLICATIONS**

“Klimp Fasteners Dramatically Cut Cost.” Found online Dec. 23, 2020 at [www.klimpindustries.com](http://www.klimpindustries.com). Page archived Jan. 14, 2016. Retrieved from URL: <https://web.archive.org/web/20160114025653/http://klimpindustries.com/> (Year: 2016).\*

(Continued)

*Primary Examiner* — Mary Ann Calabrese  
*Assistant Examiner* — Katelin G Kloberg  
(74) *Attorney, Agent, or Firm* — Karish & Bjorgum, PC

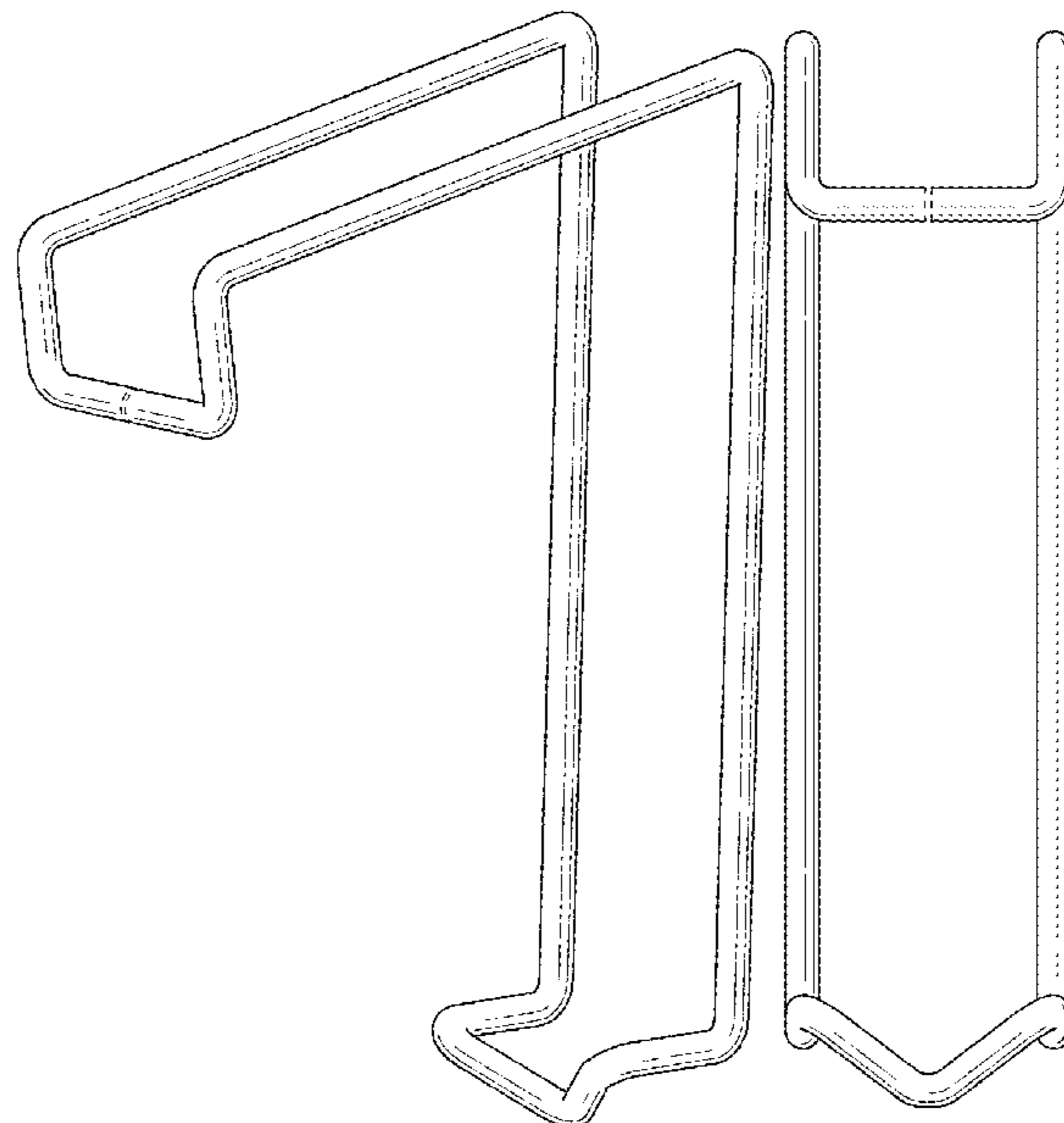
(57) **CLAIM**

The ornamental design for spring crate fastener, as shown and described.

**DESCRIPTION**

FIG. 1 is a front right perspective view of a spring crate fastener, showing my new design;  
FIG. 2 is a front view of the spring crate fastener of FIG. 1.  
FIG. 3 is a rearview of the spring crate fastener of FIG. 1.  
FIG. 4 is a right side view of the spring crate fastener of FIG. 1, with the left side view being a mirror image of FIG. 4.  
FIG. 5 is a top view of the spring crate fastener of FIG. 1; and,  
FIG. 6 is a bottom view of the spring crate fastener of FIG. 2.  
The features shown in dashed lines form no part of the design and are not claimed.

**1 Claim, 2 Drawing Sheets**



(56)

References Cited

U.S. PATENT DOCUMENTS

6,230,655 B1 \* 5/2001 Cohen ..... A01K 31/02  
 119/452  
 D483,250 S \* 12/2003 Klein ..... D8/373  
 D566,538 S \* 4/2008 Wrase ..... D8/395  
 D613,587 S \* 4/2010 Goodman ..... D8/367  
 D655,986 S \* 3/2012 Schneider ..... D7/620  
 D669,767 S \* 10/2012 Burley ..... D8/370  
 D695,973 S \* 12/2013 Carrs ..... D30/133  
 D698,629 S \* 2/2014 Hansen ..... D8/370  
 D710,680 S \* 8/2014 Chen ..... D8/370  
 D727,713 S \* 4/2015 Greene ..... D8/331  
 D799,309 S \* 10/2017 Darby ..... D8/373  
 D839,492 S \* 1/2019 Cantwell ..... D30/119  
 D839,493 S \* 1/2019 Cantwell ..... D30/119  
 D843,739 S \* 3/2019 Carlson ..... D6/317  
 D848,247 S \* 5/2019 Gilenson ..... D8/370  
 D866,874 S \* 11/2019 Cantwell ..... D30/119  
 D867,676 S \* 11/2019 Cantwell ..... D30/119

D877,606 S \* 3/2020 Strothmann ..... D8/395  
 D885,876 S \* 6/2020 Strothmann ..... D8/395  
 2019/0063122 A1 \* 2/2019 McDaid ..... A01K 1/0064

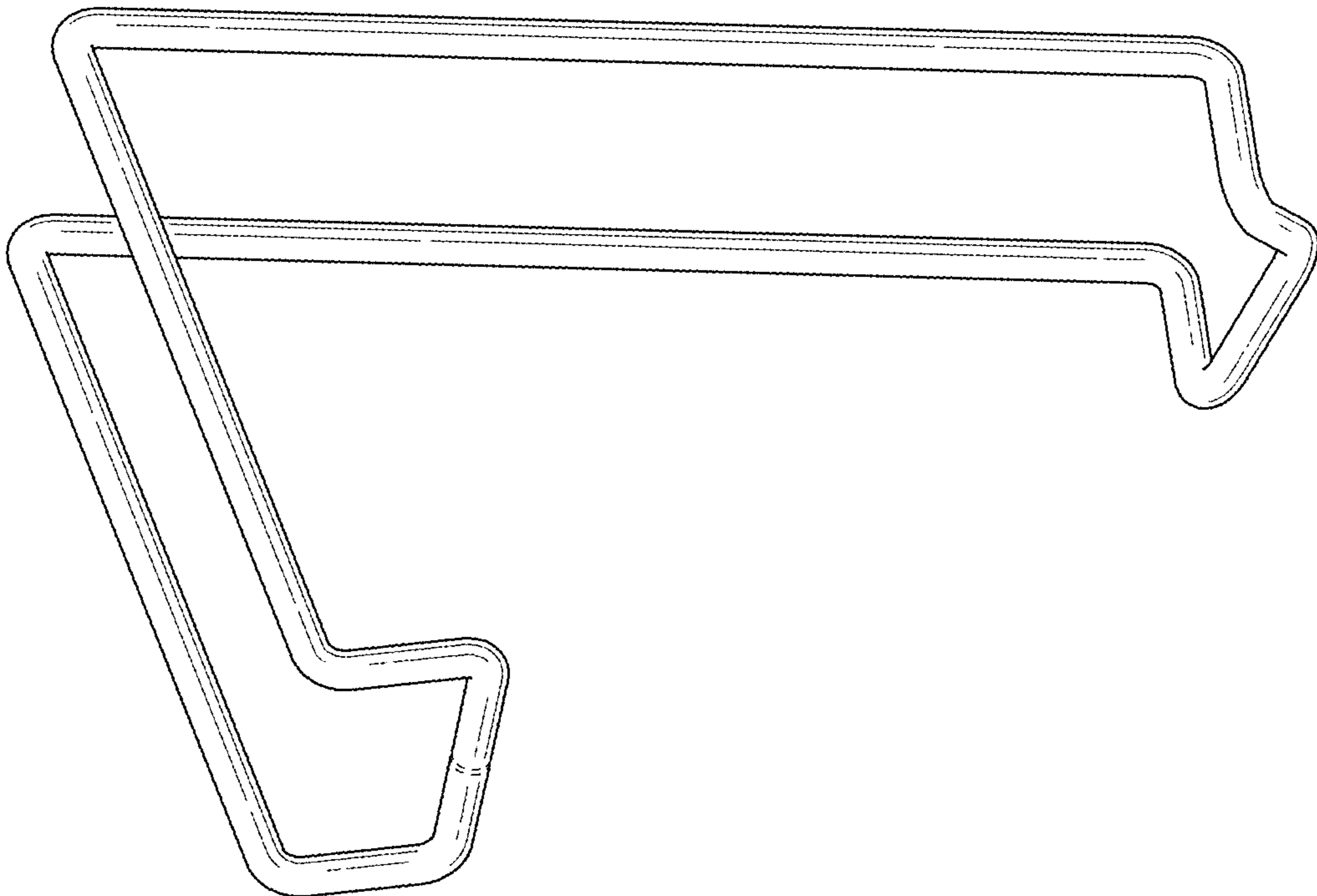
OTHER PUBLICATIONS

“Vault Clamp Spring Locks Crate Hardware.” Found online Dec. 23, 2020 at [www.bigvalleypackaging.com](http://www.bigvalleypackaging.com). Page archived Jan. 7, 2020. Retrieved from URL: <https://web.archive.org/web/20200607220754/https://bigvalleypackaging.com/vault-clamp-spring-locks> (Year: 2020).\*

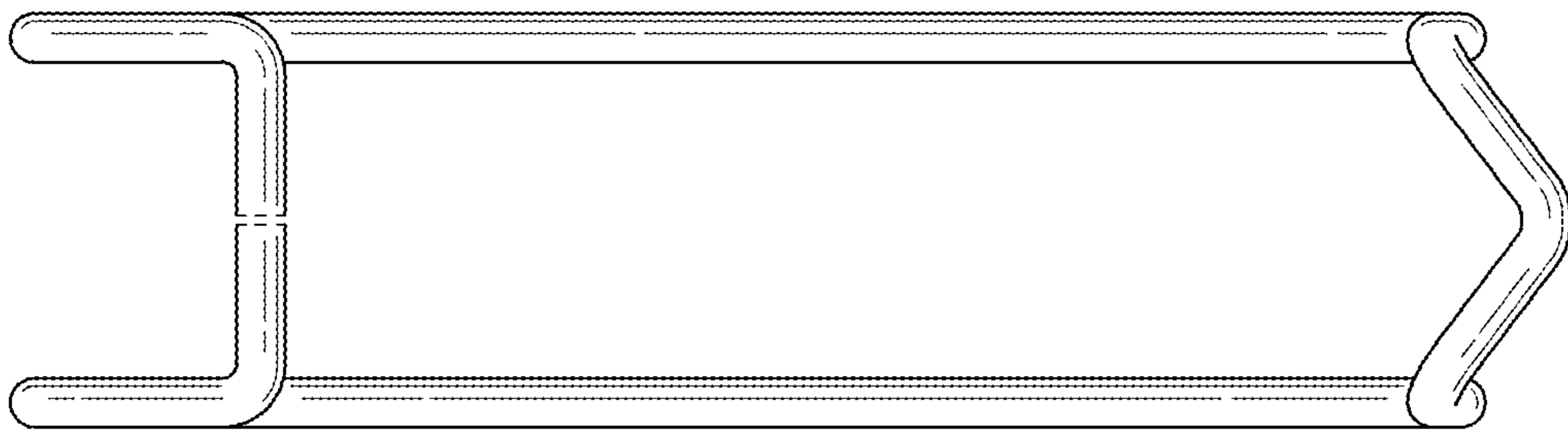
“Heavy Duty Wooden Storage Vaults.” Found online Dec. 23, 2020 at [www.caseworkscrating.com](http://www.caseworkscrating.com). Page archived Mar. 31, 2014, Retrieved from URL: <https://web.archive.org/web/20140331010026/https://www.caseworkscrating.com/wood-storage-vaults> (Year: 2014).\*

“Lock Clamp for Wooden Box.” Found online Dec. 23, 2020 at [www.keyzard.org](http://www.keyzard.org). Image dated Mar. 24, 2020. Retrieved from URL: [https://keyzard.org/nb/views/rossinijoo\\_221838456472](https://keyzard.org/nb/views/rossinijoo_221838456472) (Year: 2020).\*

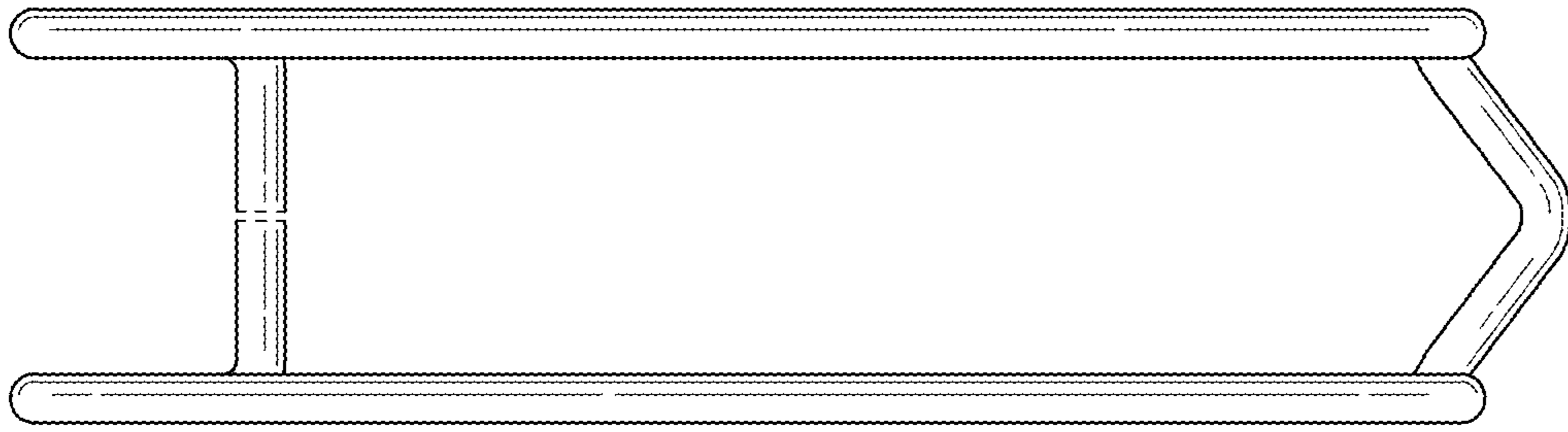
\* cited by examiner



*Fig. 1*



*Fig. 2*



*Fig. 3*

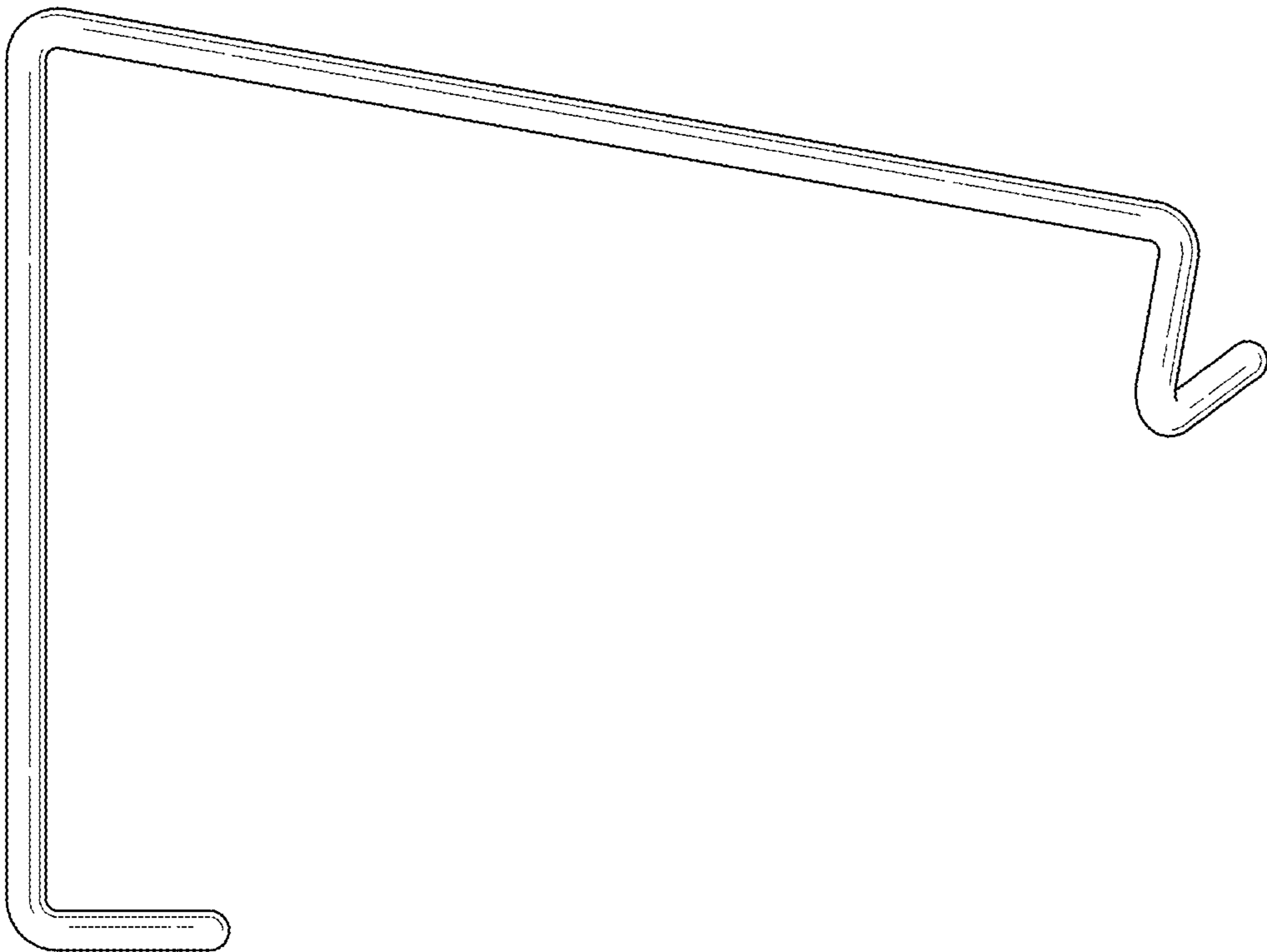


FIG. 4

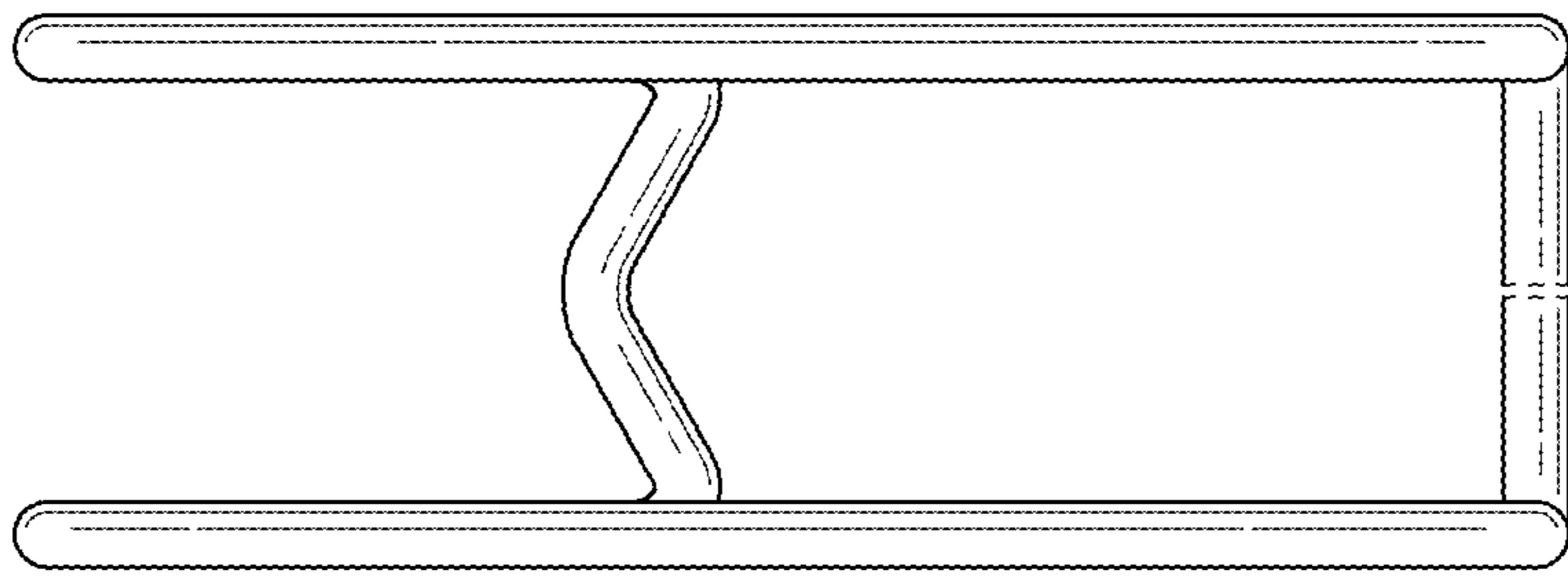


FIG. 5

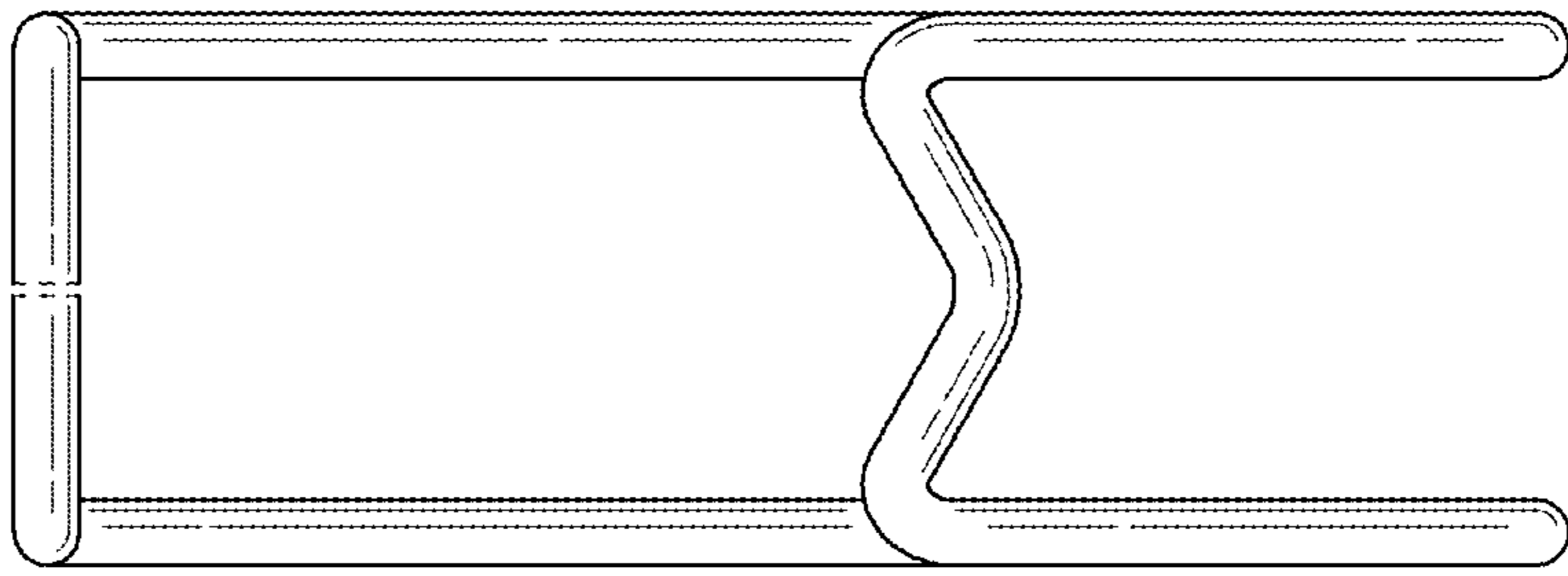


FIG. 6