



US00D920589S

(12) **United States Design Patent** (10) **Patent No.:** **US D920,589 S**
Xu (45) **Date of Patent:** **** May 25, 2021**

(54) **PET CARRIER** D866,085 S * 11/2019 Lou D30/108
D883,658 S * 5/2020 Lu D3/217
(71) Applicant: **Wenzhou Double Star Pet Products** D883,659 S * 5/2020 Lu D3/217
Manufactory, Wenzhou (CN) D884,982 S * 5/2020 Lu D30/108
D885,043 S * 5/2020 Lu D3/217
(72) Inventor: **Jiahui Xu, Wenzhou (CN)** D886,389 S * 6/2020 Lu D30/109
D909,686 S * 2/2021 Berk D30/109
(73) Assignee: **WENZHOU DOUBLE STAR PET** D910,242 S * 2/2021 Berk D30/109
PRODUCTS MANUFACTORY, D910,243 S * 2/2021 Watson D30/109
Wenzhou (CN)

FOREIGN PATENT DOCUMENTS

(**) Term: **15 Years** CN 305083444 S 3/2019
* cited by examiner

(21) Appl. No.: **29/700,770**

(22) Filed: **Aug. 6, 2019**

(51) **LOC (13) Cl.** **30-02**

(52) **U.S. Cl.**
USPC **D30/109**

(58) **Field of Classification Search**
USPC D30/109; D3/315
CPC A01K 1/02
See application file for complete search history.

Primary Examiner — Charles D Hanson
(74) *Attorney, Agent, or Firm* — McClure, Qualey & Rodack, LLP

(57) **CLAIM**

The ornamental design for a pet carrier, as shown and described.

DESCRIPTION

(56) **References Cited**

U.S. PATENT DOCUMENTS

D290,176 S * 6/1987 Demeuse D30/109
D334,253 S * 3/1993 Balzarini D3/214
D370,090 S * 5/1996 Coggins 224/160
D383,305 S * 9/1997 Holstrom D3/216
D539,509 S * 4/2007 Fugazzi D2/830
D662,263 S * 6/2012 Chau D30/109
D728,923 S * 5/2015 Surplus D3/221
D778,595 S * 2/2017 Zurowski D3/216
D853,661 S * 7/2019 Lin D30/109

FIG. 1 is a front, right end isometric view of the pet carrier;
FIG. 2 is a front elevational view thereof;
FIG. 3 is a rear elevational view thereof;
FIG. 4 is a left side elevational view thereof;
FIG. 5 is a right side elevational view thereof;
FIG. 6 is a top plan view view thereof;
FIG. 7 is a view of the pet carrier showing its usage; and,
FIG. 8 is another view of the pet carrier showing its usage.

1 Claim, 8 Drawing Sheets

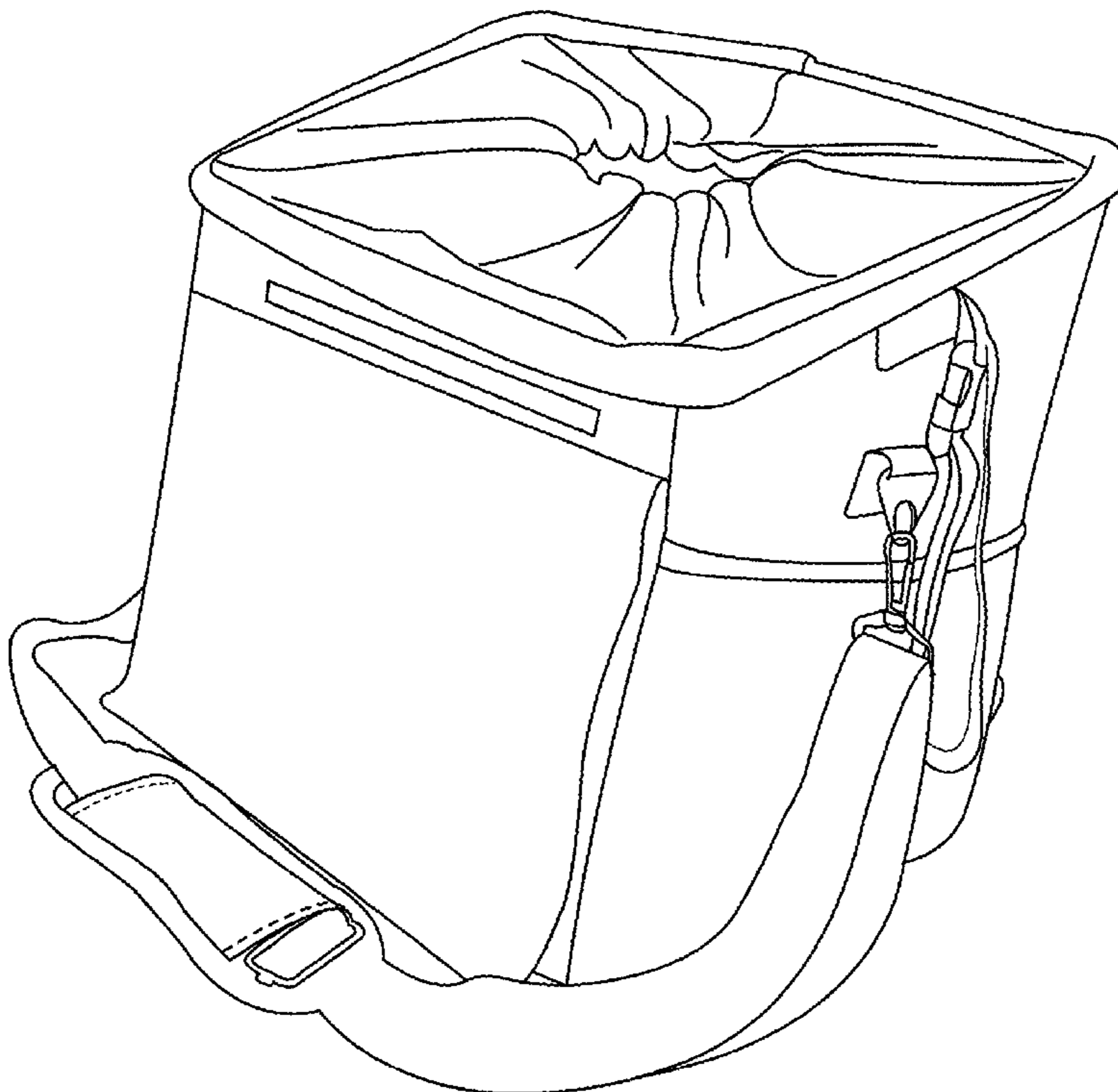


Figure 1

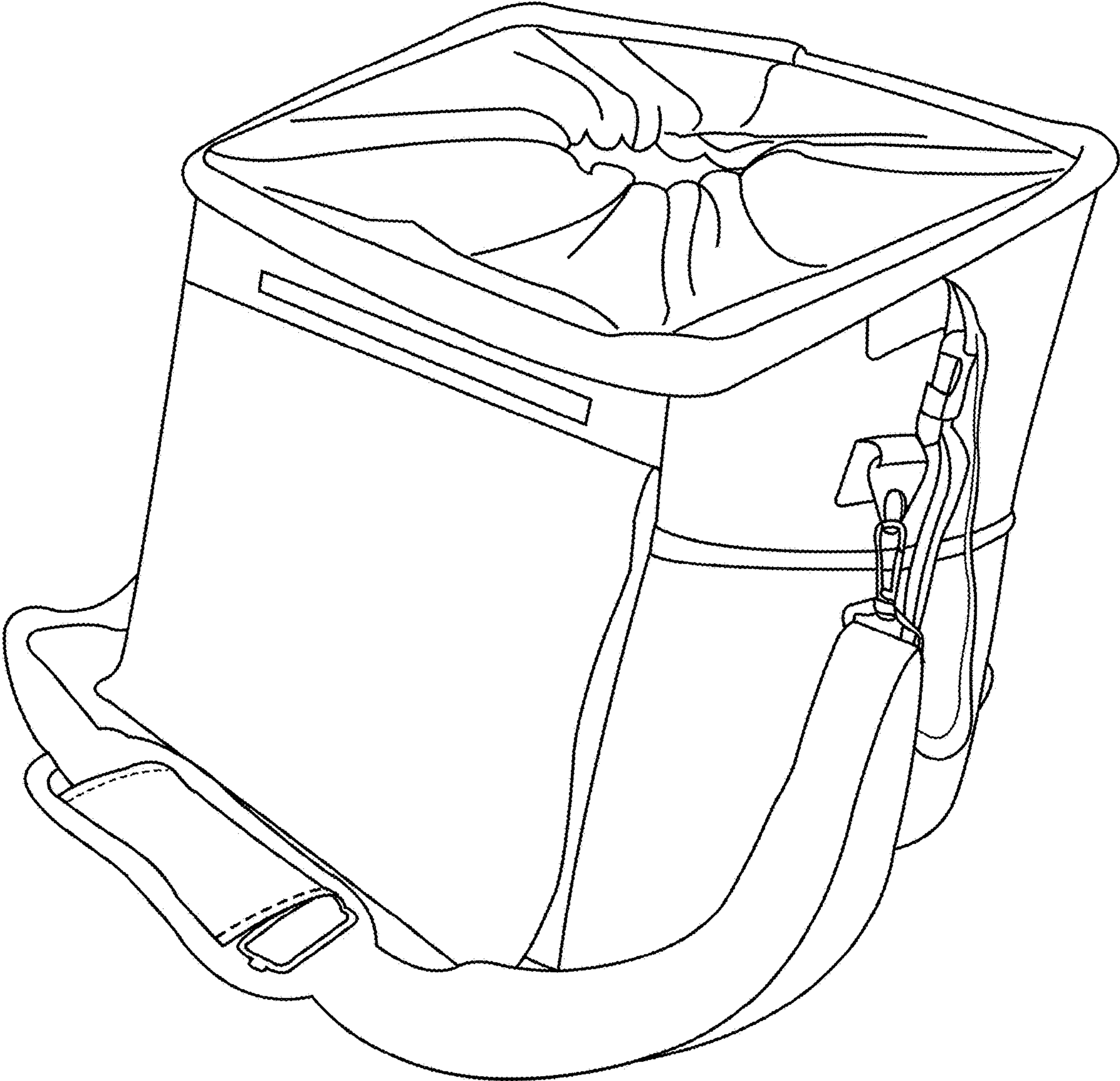


Figure 2



Figure 3

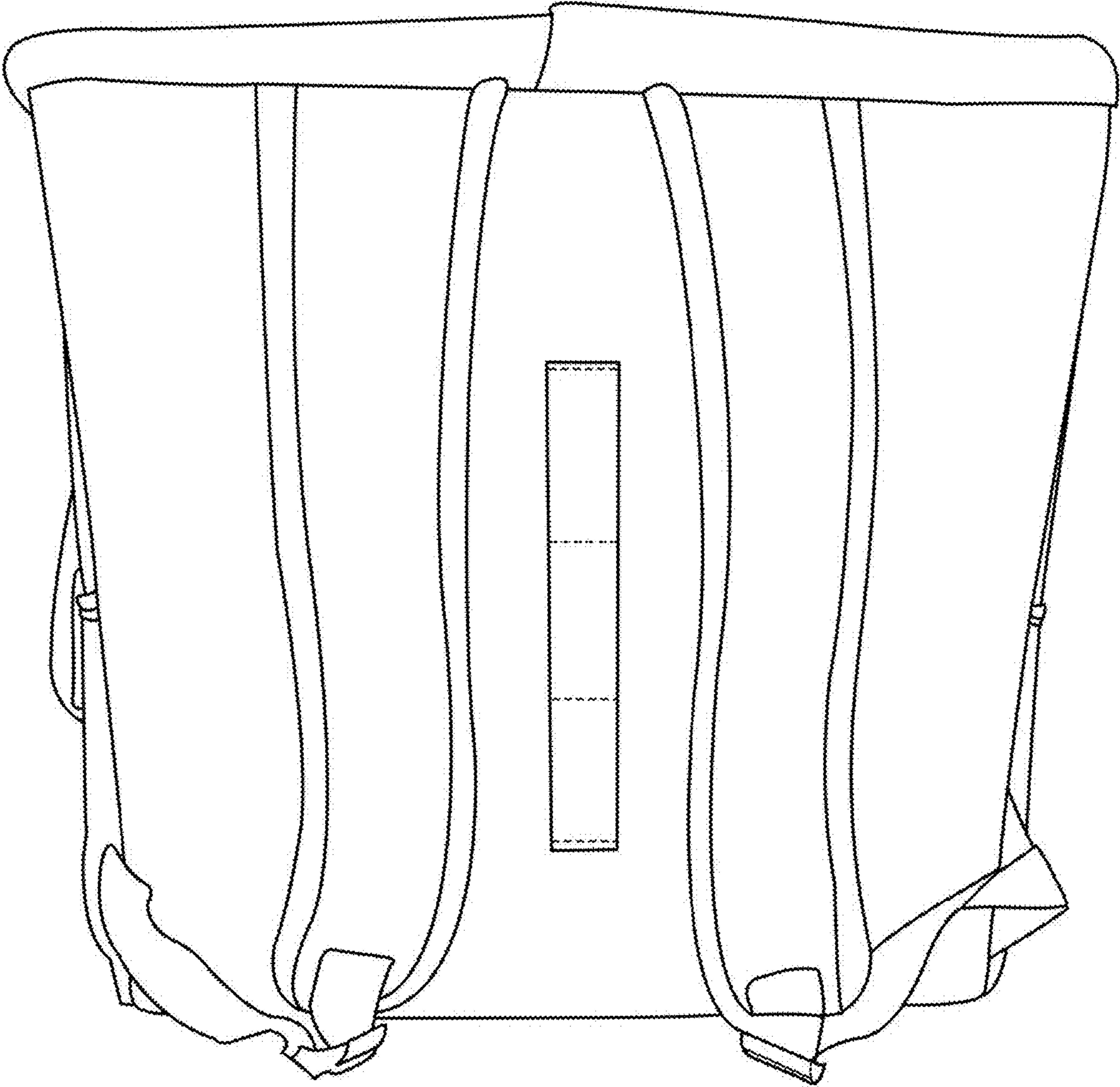


Figure 4

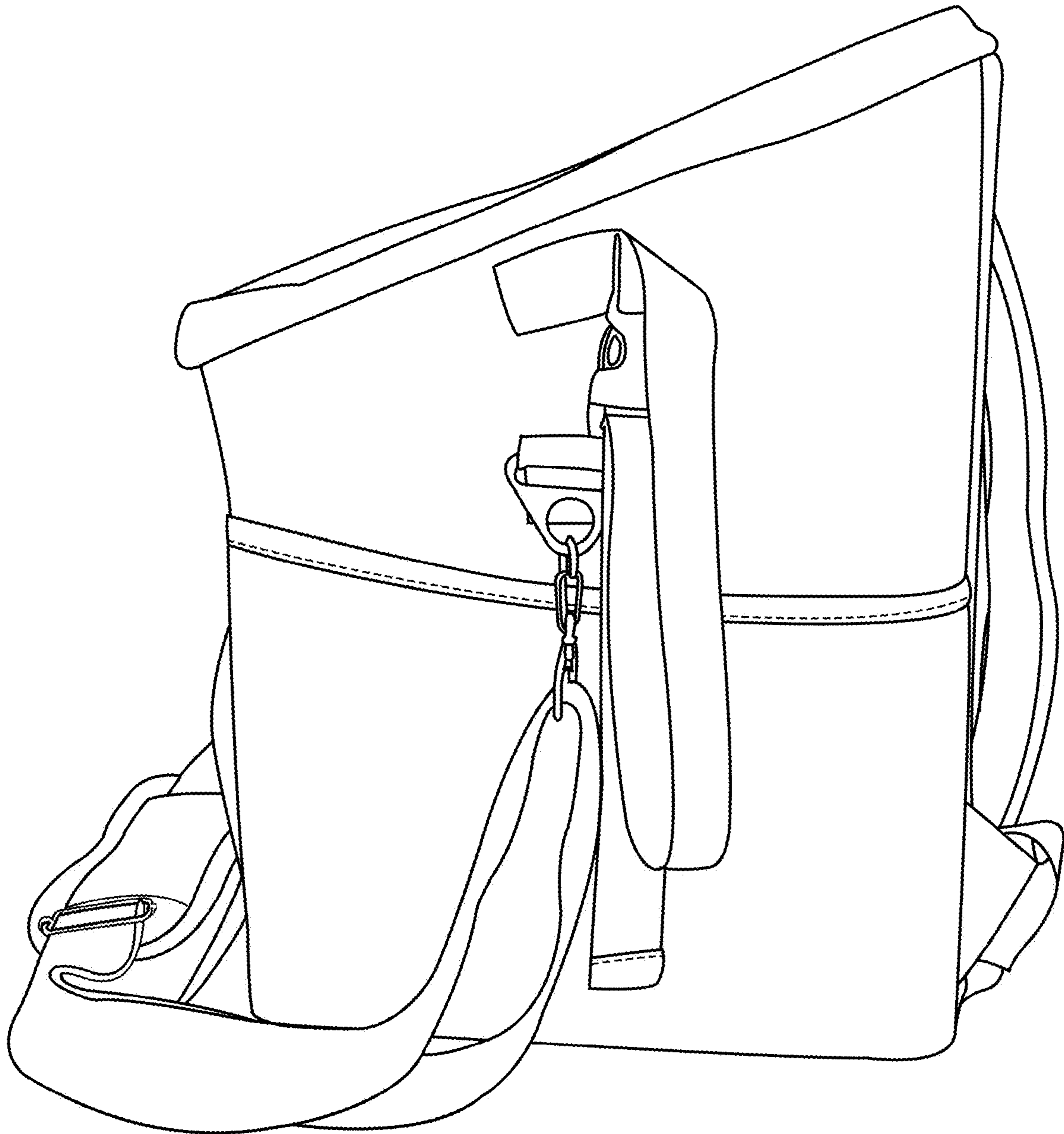


Figure 5



Figure 6

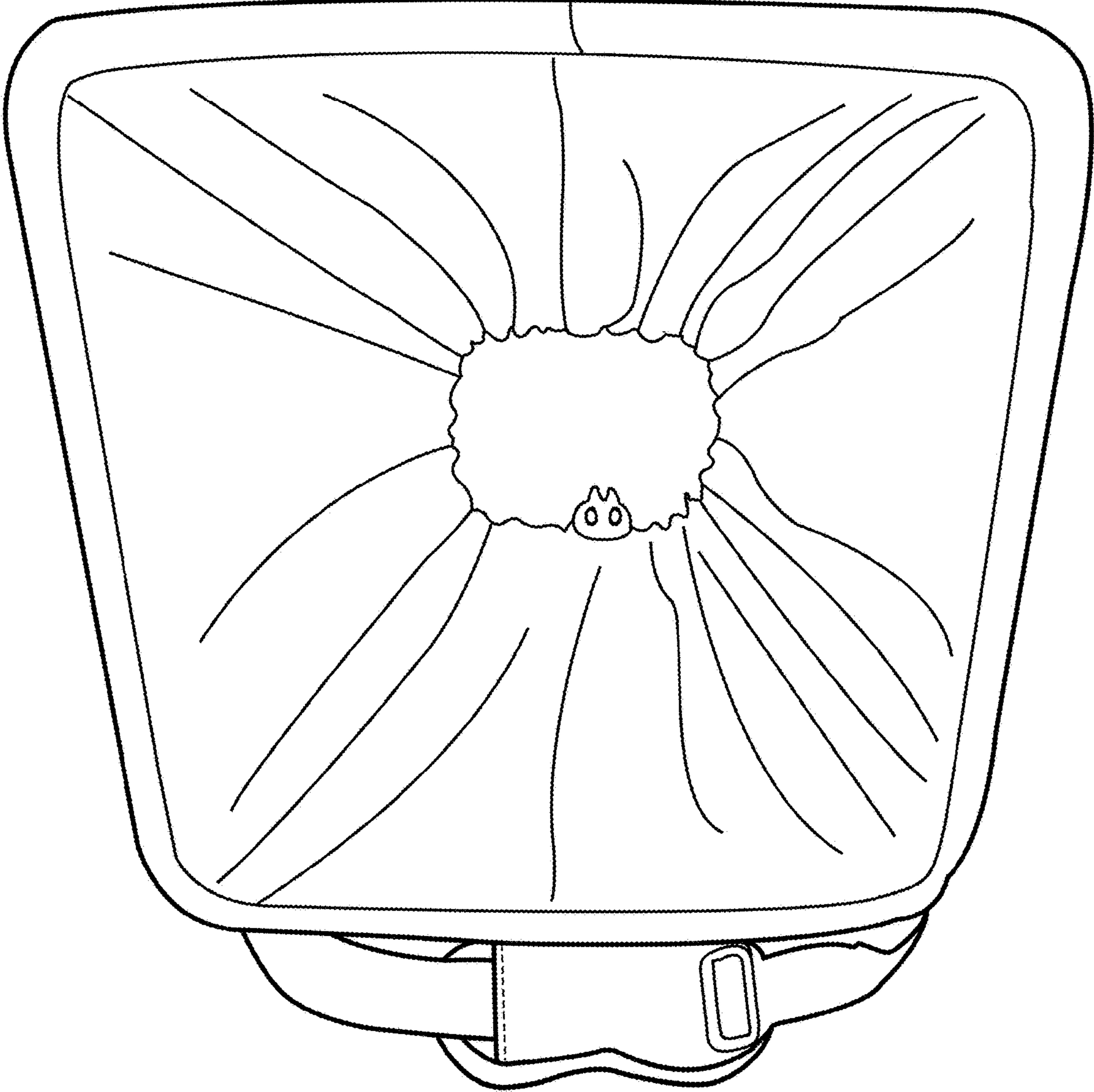


Figure 7

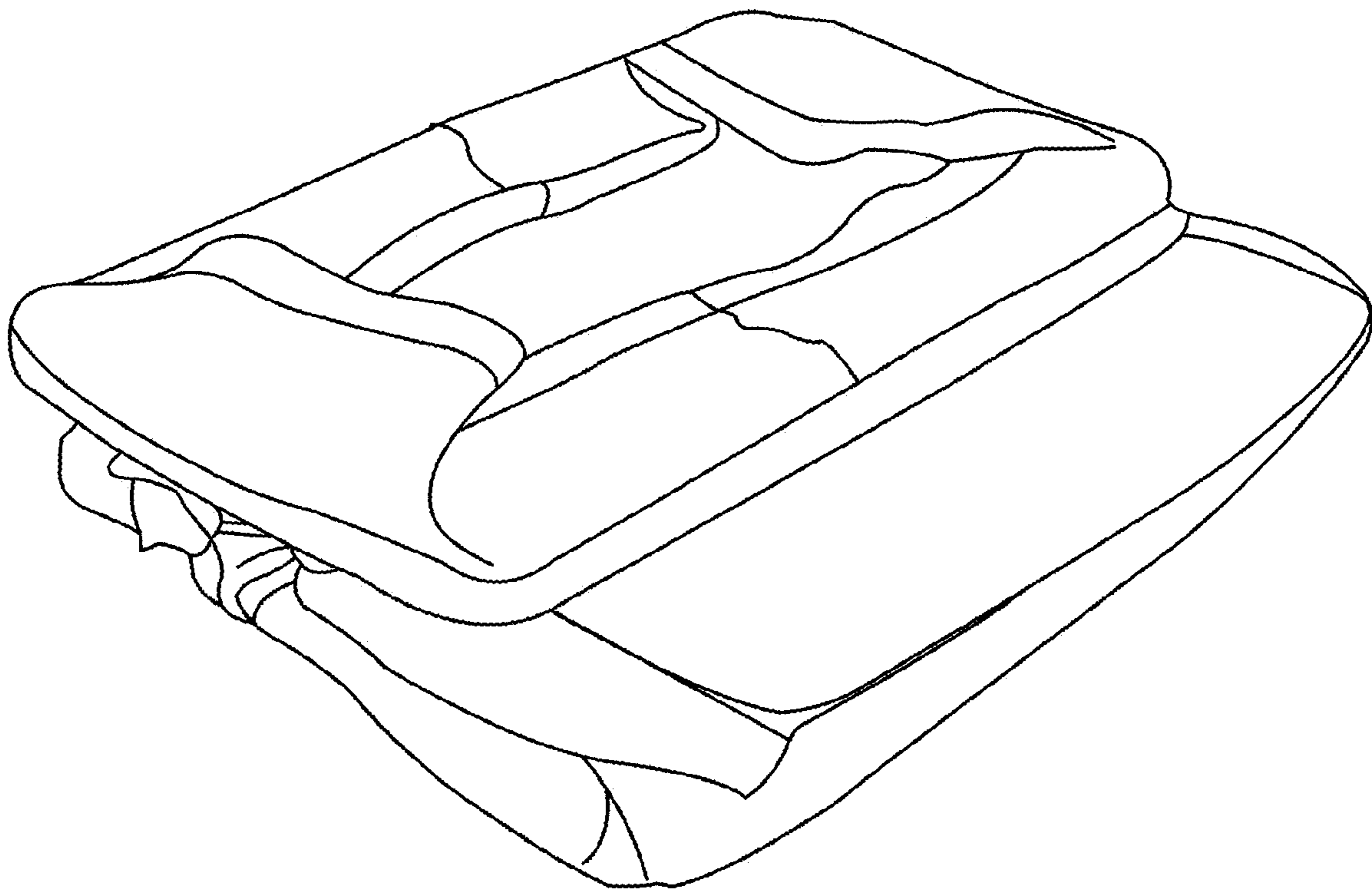


Figure 8

