



US00D920586S

(12) **United States Design Patent** (10) **Patent No.:** **US D920,586 S**  
**Jackson et al.** (45) **Date of Patent:** **\*\* May 25, 2021**

(54) **FINGER PROTECTOR**

(71) Applicant: **DigiShield LLC**, Mapleton, UT (US)

(72) Inventors: **Ryan Jay Jackson**, Levan, UT (US);  
**Matthew Justin Finch**, Mapleton, UT (US)

(73) Assignee: **DigiShield LLC**, Mapleton, UT (US)

(\*\*) Term: **15 Years**

(21) Appl. No.: **29/685,794**

(22) Filed: **Mar. 29, 2019**

(51) **LOC (13) Cl.** ..... **29-02**

(52) **U.S. Cl.**  
USPC ..... **D29/113**

(58) **Field of Classification Search**  
USPC ..... D29/113, 114

(Continued)

(56) **References Cited**

**U.S. PATENT DOCUMENTS**

617,929 A \* 1/1899 Fowble ..... A41D 13/087  
2/21  
1,388,618 A 8/1921 Stein  
(Continued)

**FOREIGN PATENT DOCUMENTS**

KR 1020050006308 1/2005

**OTHER PUBLICATIONS**

Adjustable Hand Guard Finger Protector, posted at amazon.com, posting date Oct. 11, 2016, [online], [site visited Sep. 23, 2020]. Available from Internet, URL: <https://www.amazon.com/Adjustable-Protector-Stainless-Chop-Safe-Chopping/dp/B01M8GL4WQ> (Year: 2016).\*

(Continued)

*Primary Examiner* — George D. Kirschbaum

*Assistant Examiner* — Maria J. Edwards

(74) *Attorney, Agent, or Firm* — Goff IP Law PLLC;  
Jared S. Goff

(57) **CLAIM**

The ornamental design for a finger protector, as shown and described.

**DESCRIPTION**

FIG. 1 is a perspective view of a finger protector, as viewed from the back, bottom, and right side of the finger protector. FIG. 2 is a perspective view of the finger protector of FIG. 1, as viewed from the back, top, and right side of the finger protector.

FIG. 3 is a perspective view of the finger protector of FIG. 1, as viewed from the back, bottom, and left side of the finger protector.

FIG. 4 is a perspective view of the finger protector of FIG. 1, as viewed from the back, top, and left side of the finger protector.

FIG. 5 is a perspective view of the finger protector of FIG. 1, as viewed from the front, bottom, and left side of the finger protector.

FIG. 6 is a perspective view of the finger protector of FIG. 1, as viewed from the front, bottom, and right side of the finger protector.

FIG. 7 is a front elevation view of the finger protector of FIG. 1.

FIG. 8 is a back elevation view of the finger protector of FIG. 1.

FIG. 9 is a right side elevation view of the finger protector of FIG. 1.

FIG. 10 is a sectional view taken along line 10-10 in FIG. 9.

FIG. 11 is a top plan view of the finger protector of FIG. 1.

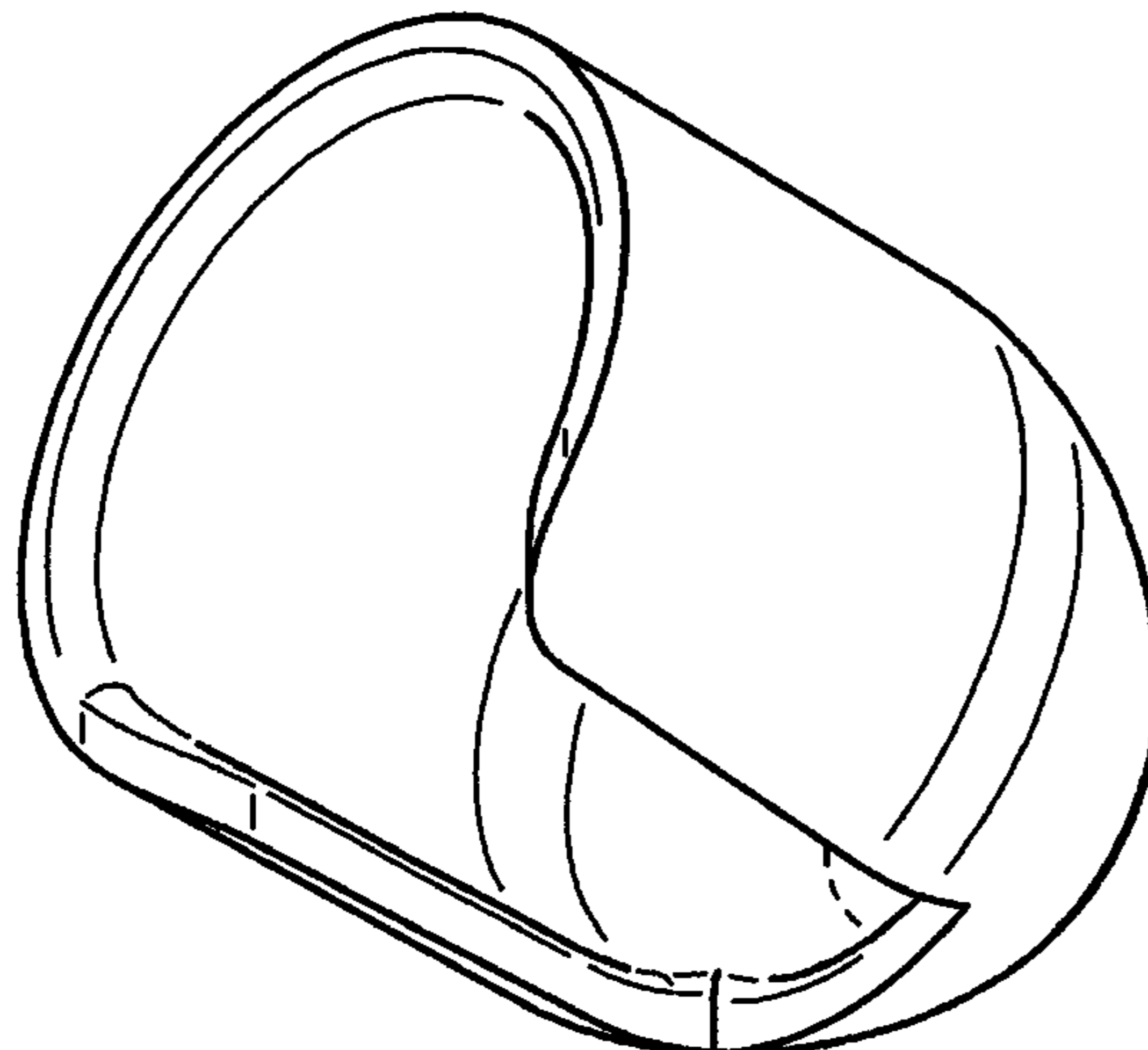
FIG. 12 is a bottom plan view of the finger protector of FIG. 1.

FIG. 13 is a sectional view taken along line 13-13 of FIG. 12.

FIG. 14 is a left side elevation view of the finger protector of FIG. 1; and,

FIG. 15 is a sectional view taken along line 15-15 of FIG. 14.

(Continued)



The broken lines and areas encompassed by broken lines in the drawings are part of the disclosure herein, but they form no part of the claimed design.

**1 Claim, 15 Drawing Sheets**

(58) **Field of Classification Search**

CPC ... A61F 13/105; A61F 5/0118; A61F 5/05875  
See application file for complete search history.

(56) **References Cited**

U.S. PATENT DOCUMENTS

1,408,070 A \* 2/1922 Boehringer ..... A41D 13/087  
2/21  
1,755,014 A \* 4/1930 Morrison ..... A61F 13/105  
2/21  
D147,797 S \* 11/1947 Kayer ..... D28/56  
D168,689 S \* 1/1953 Jones ..... D29/114  
D170,260 S \* 8/1953 Jones ..... D29/114  
D208,047 S \* 7/1967 Brophy ..... D3/29  
3,386,104 A 6/1968 Casey  
3,732,575 A 5/1973 Pakulak  
3,967,631 A \* 7/1976 Kosal ..... A45D 29/00  
132/73  
4,272,849 A 6/1981 Thurston et al.  
D270,966 S \* 10/1983 Lynn ..... D3/29  
4,694,508 A 9/1987 Iriyama et al.  
4,766,612 A 8/1988 Patton, Sr.  
D335,938 S \* 5/1993 Kam ..... D24/190

5,842,227 A \* 12/1998 Rabin ..... A41D 13/087  
2/21  
5,974,588 A 11/1999 Furman  
D422,121 S \* 3/2000 Peck ..... D29/114  
D488,588 S \* 4/2004 Murphy ..... D29/114  
6,925,653 B1 8/2005 King  
D608,978 S 2/2010 Votel  
7,937,774 B1 5/2011 King  
D648,487 S \* 11/2011 Demaree ..... D28/56  
D651,356 S \* 12/2011 Logan ..... D29/114  
D651,357 S \* 12/2011 Logan ..... D29/114  
D733,362 S \* 6/2015 Weimar ..... D29/114  
D799,710 S \* 10/2017 Wong ..... D24/190  
D825,065 S \* 8/2018 Wong ..... D24/190  
D873,499 S \* 1/2020 Kain ..... D29/114  
2005/0086722 A1 4/2005 Bjomtwedt  
2009/0271912 A1 11/2009 Jaunault et al.  
2013/0074242 A1 3/2013 Moreland et al.

OTHER PUBLICATIONS

DRADUO Finger Guard, posted at smapcivil.com, posting date not given, [online], [site visited Sep. 23, 2020]. Available from Internet, URL: [https://www.smapcivil.com/index.php?main\\_page=product\\_info&products\\_id=28020](https://www.smapcivil.com/index.php?main_page=product_info&products_id=28020) (Year: 2020).\*

Guitar finger protector, posted at vova.com, posting date not given, [online], [site visited Sep. 23, 2020]. Available from Internet, URL: <https://www.vova.com/4x-Guitar-Finger-Protector-Fingertip-Picks-Silicone-Guard-Plectrum-B-SN159117565063896393664255-g19232179-m20697933> (Year: 2020).\*

\* cited by examiner

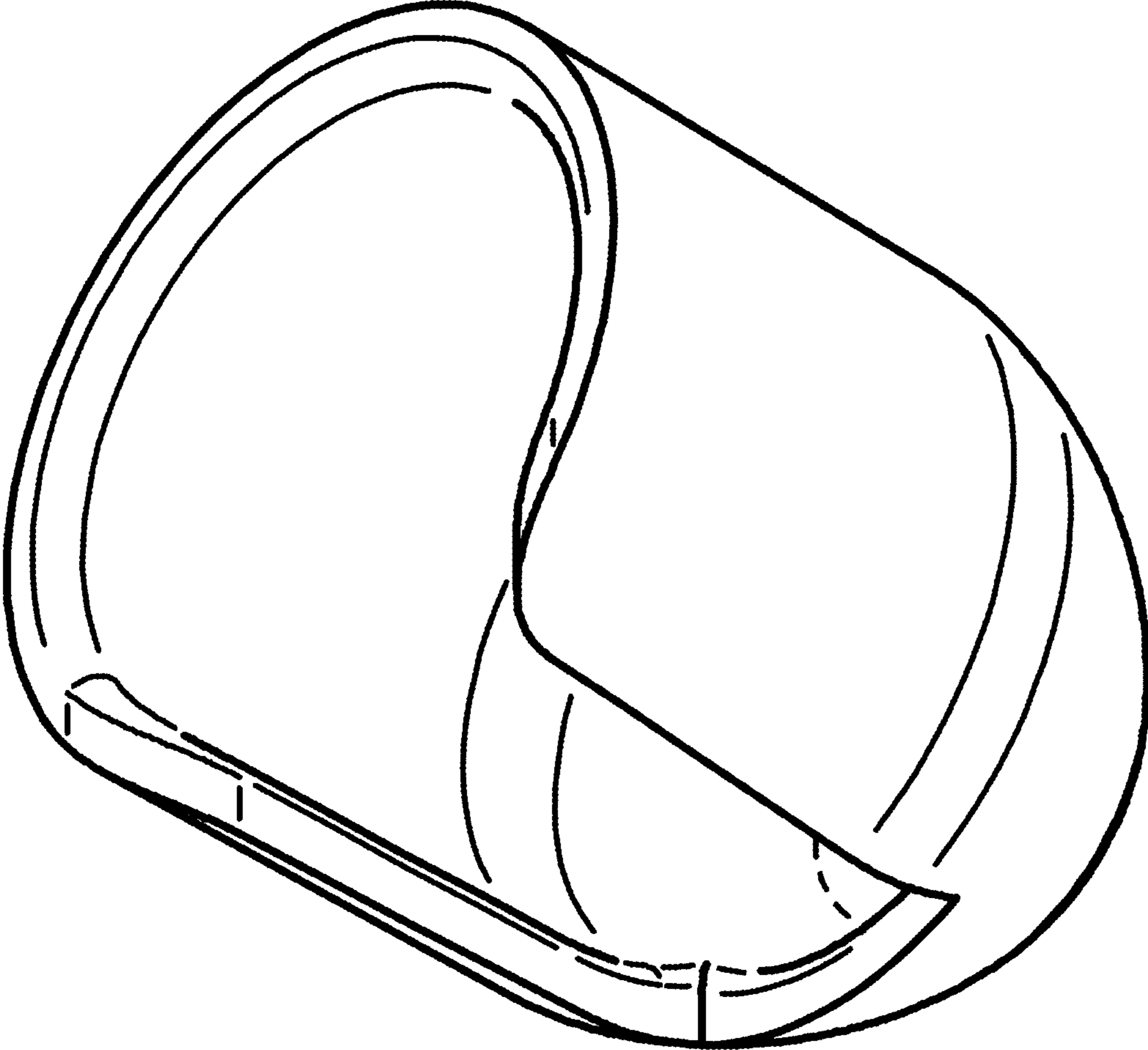


Figure 1

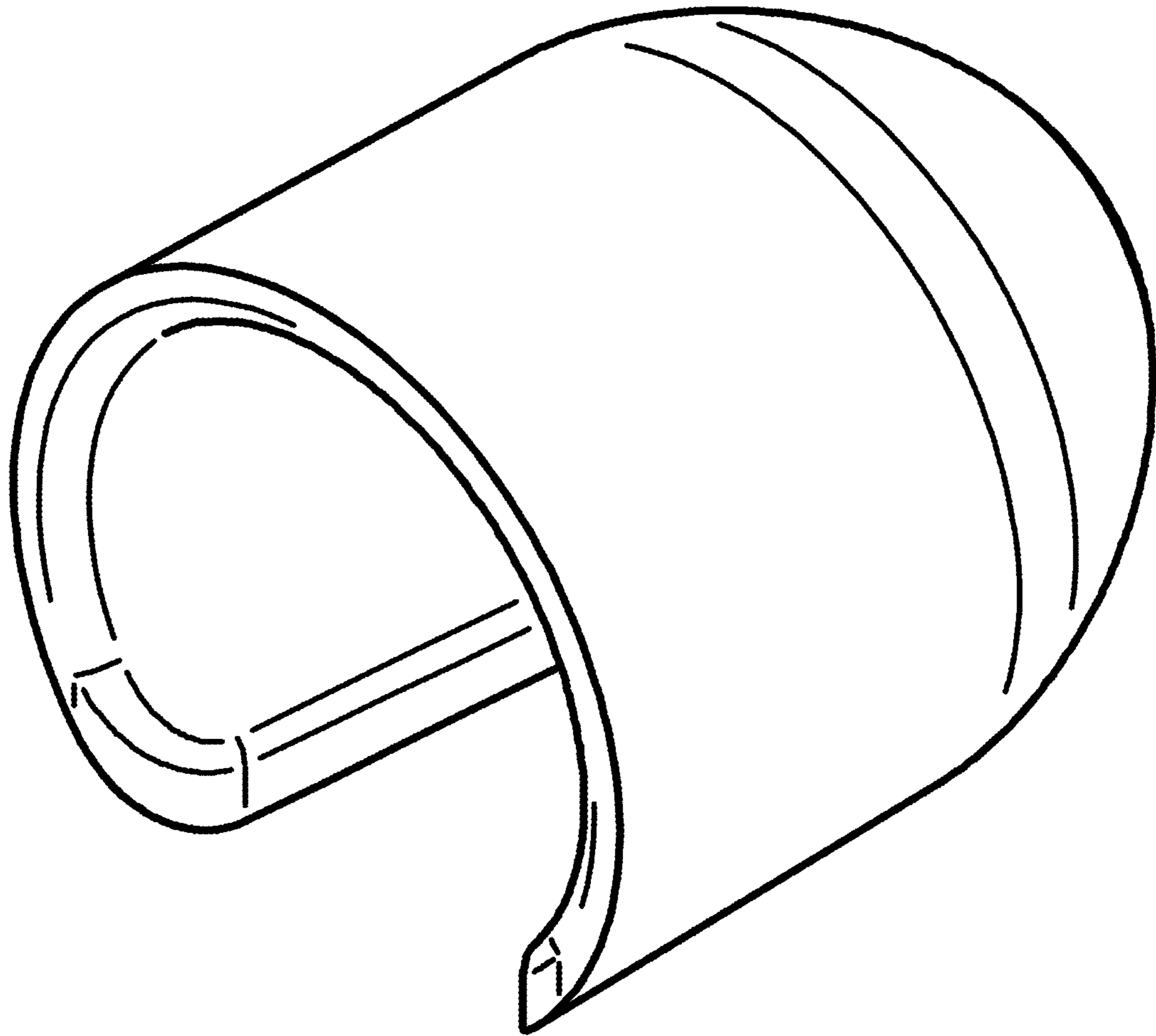


Figure 2

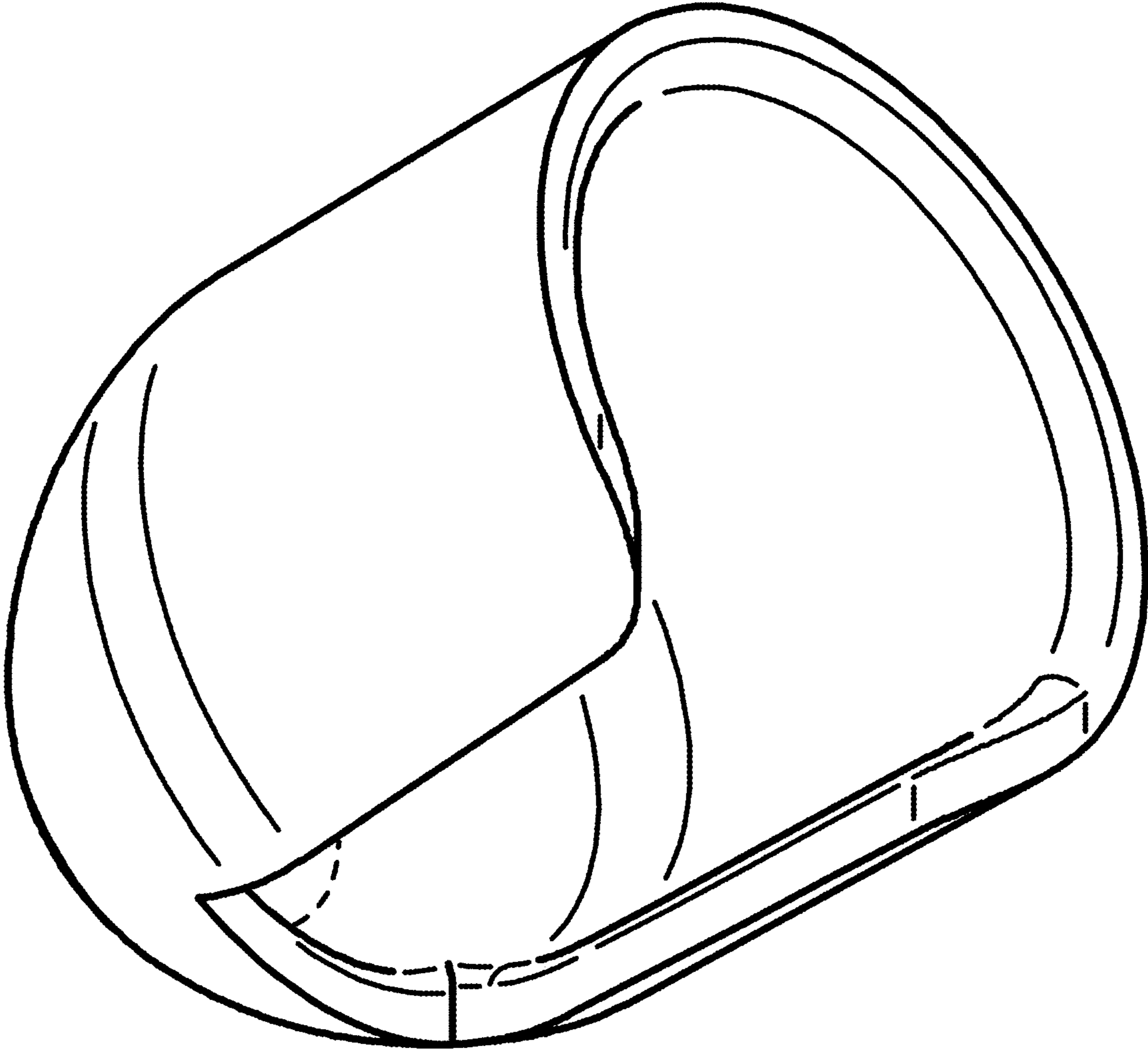


Figure 3

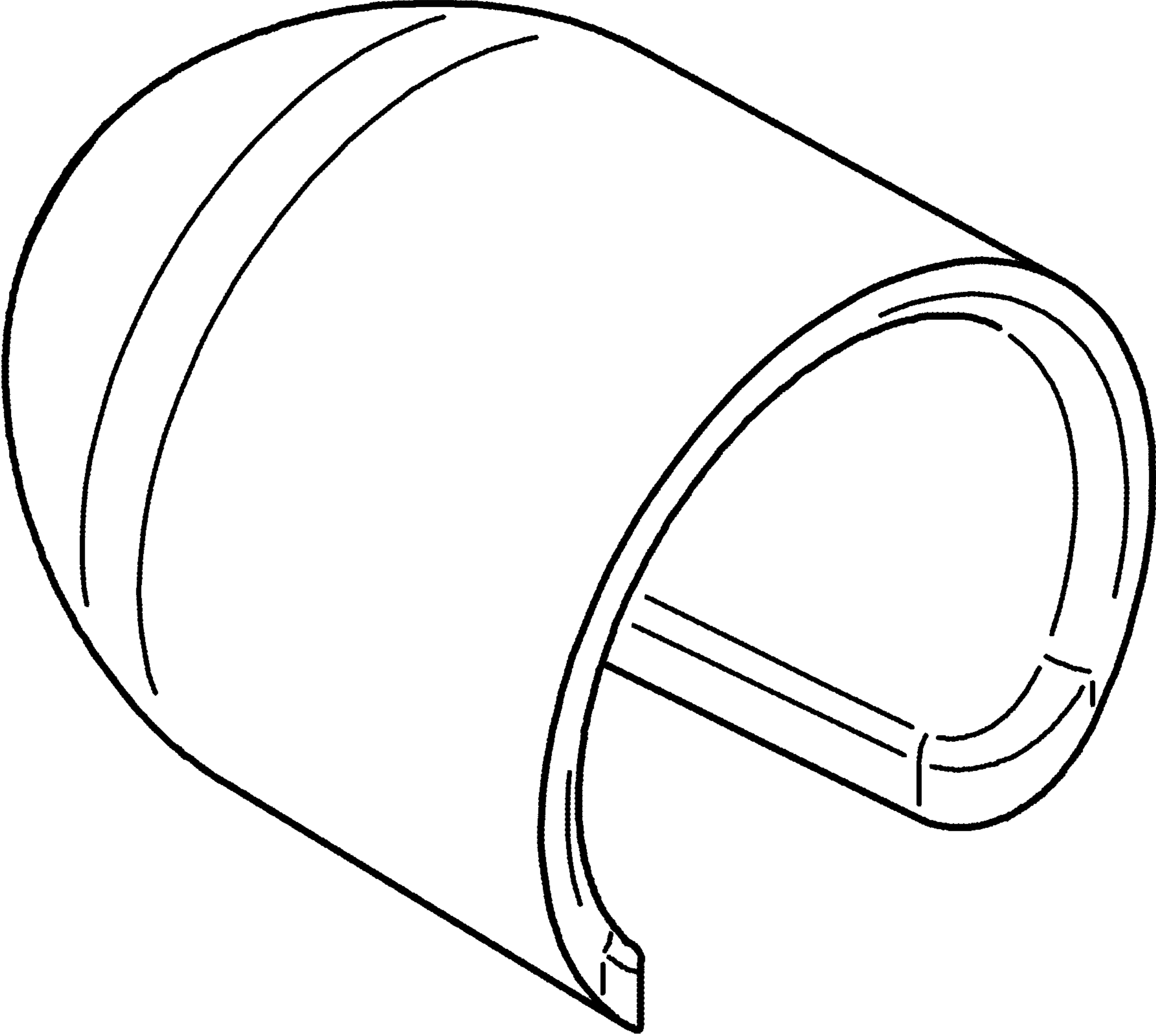


Figure 4

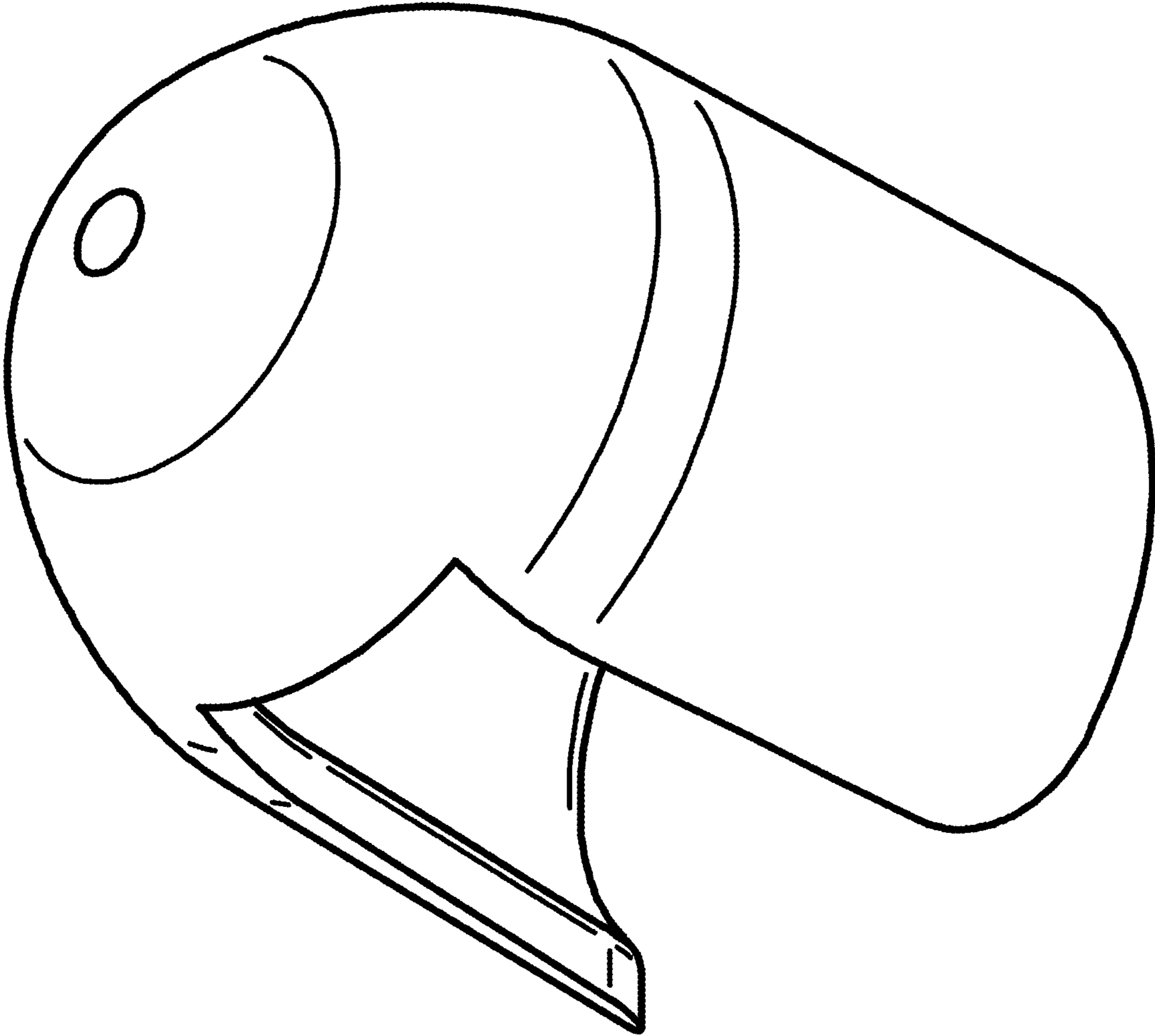


Figure 5

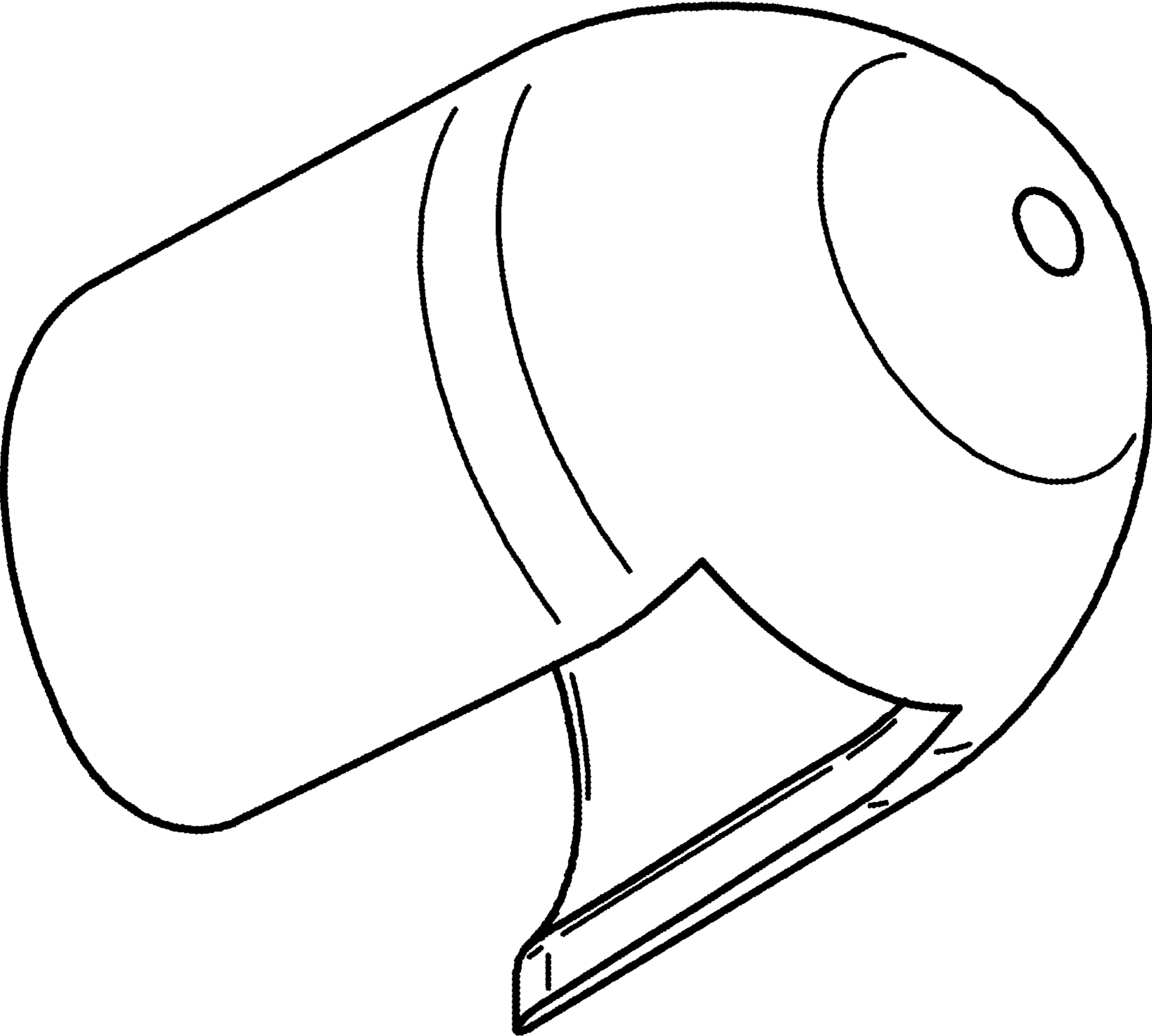


Figure 6



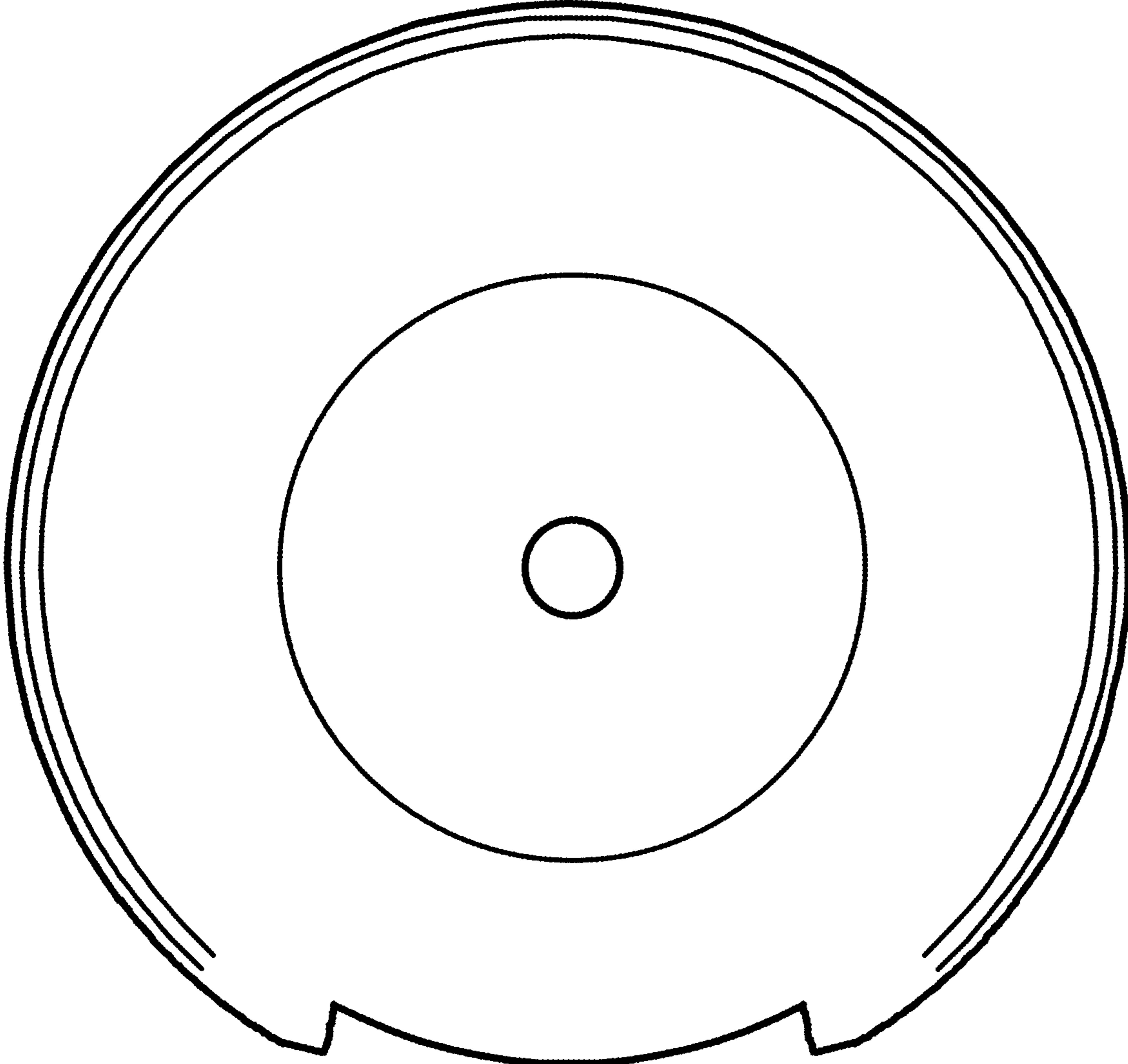


Figure 7

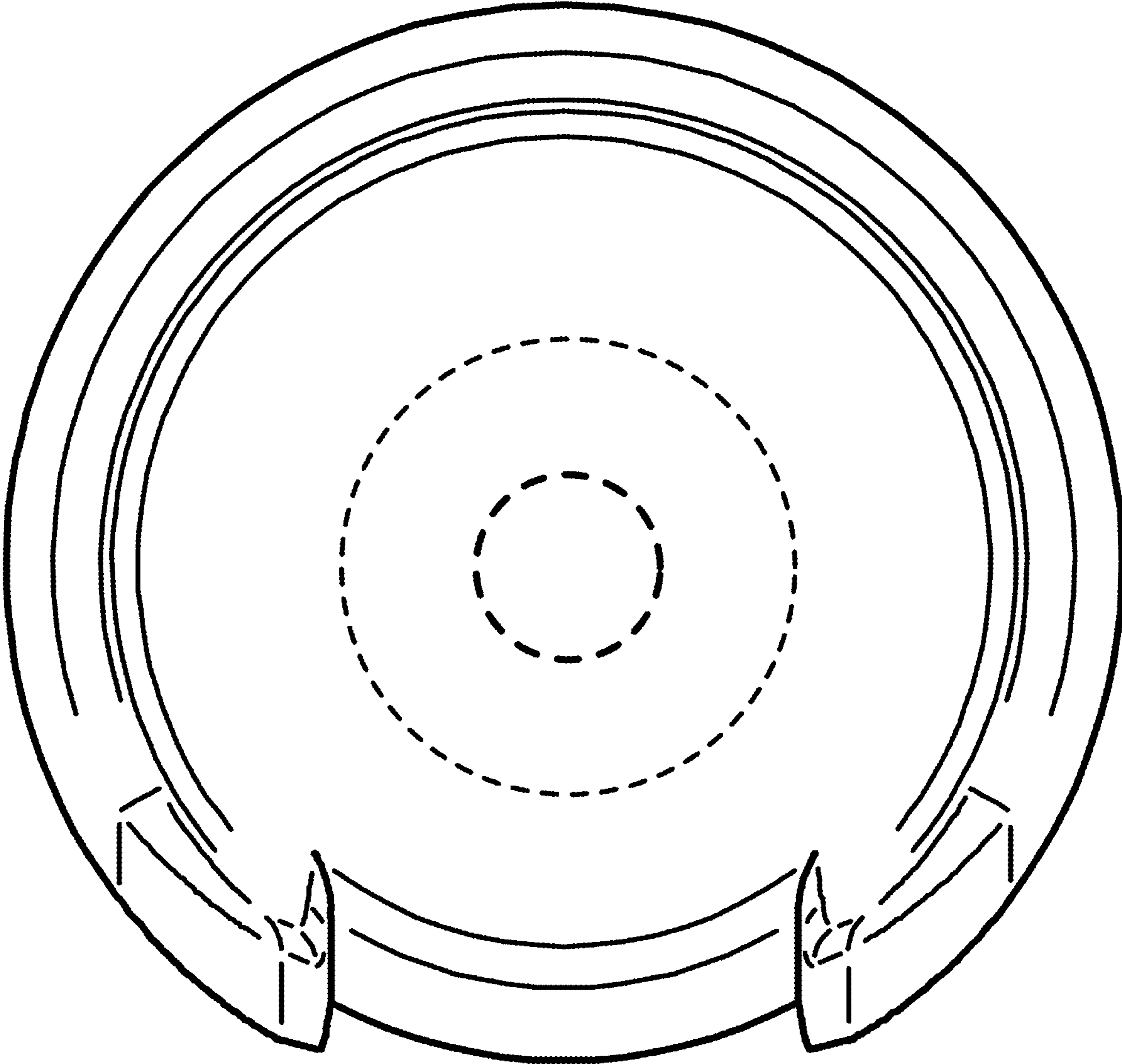


Figure 8

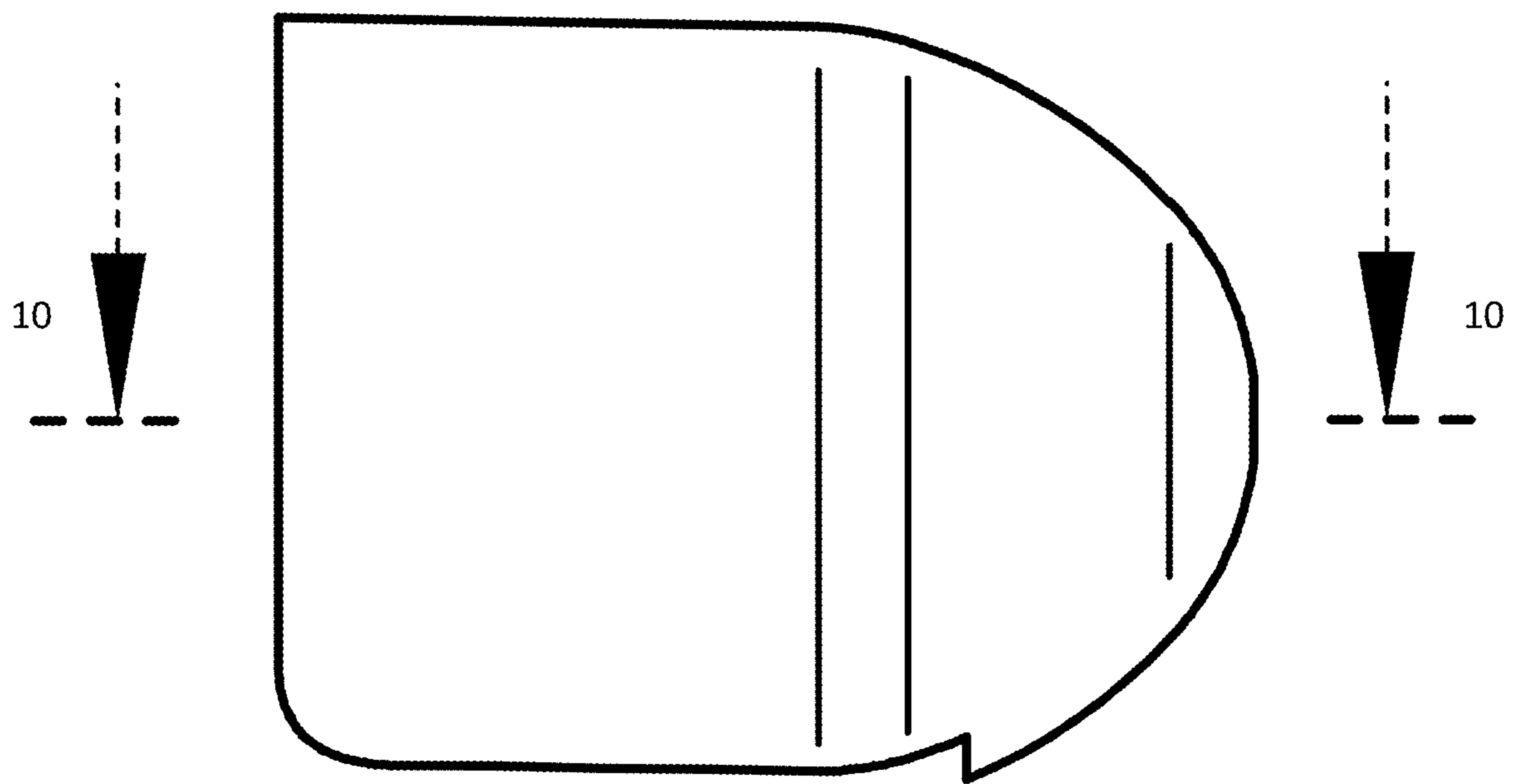


Figure 9

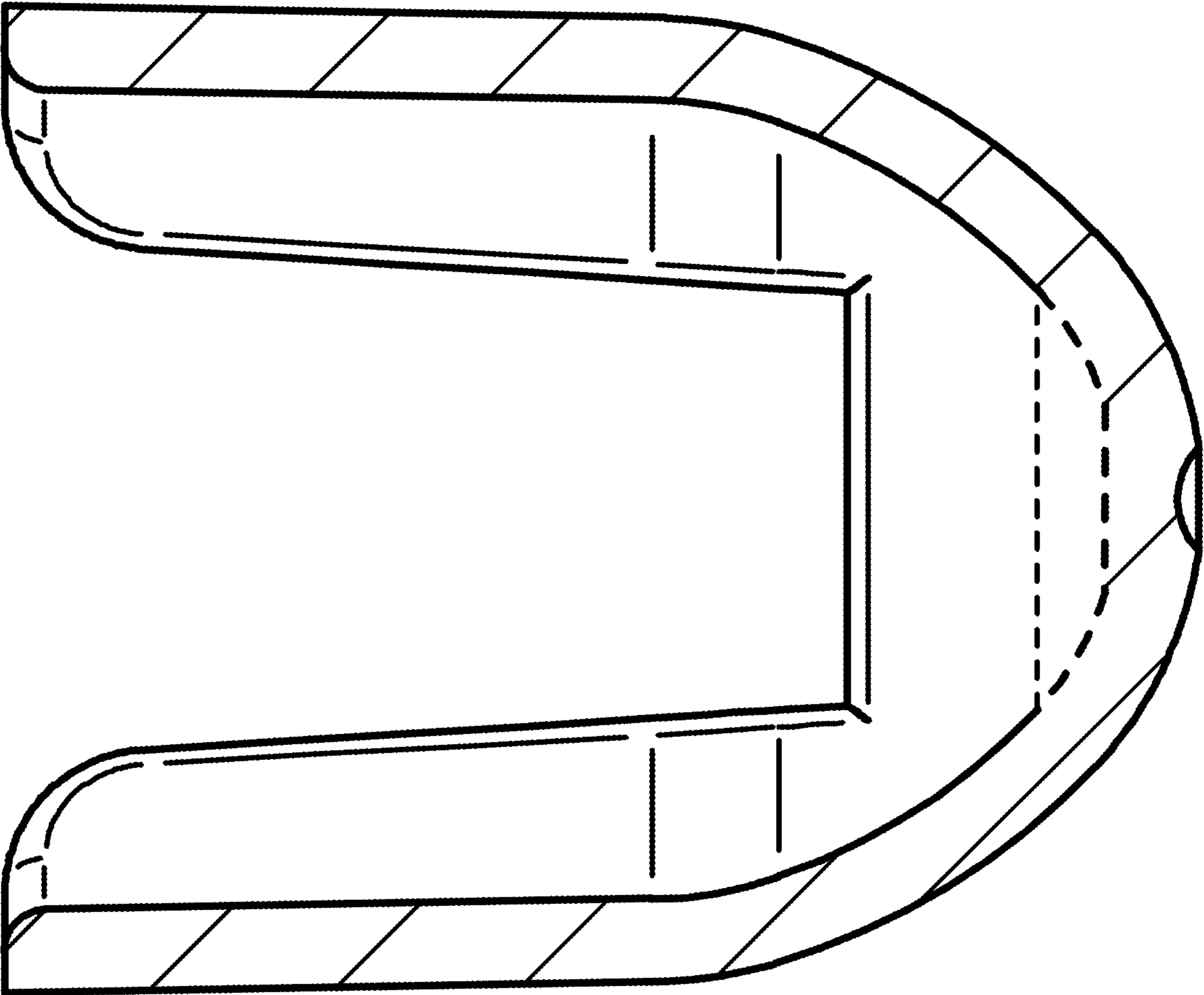


Figure 10

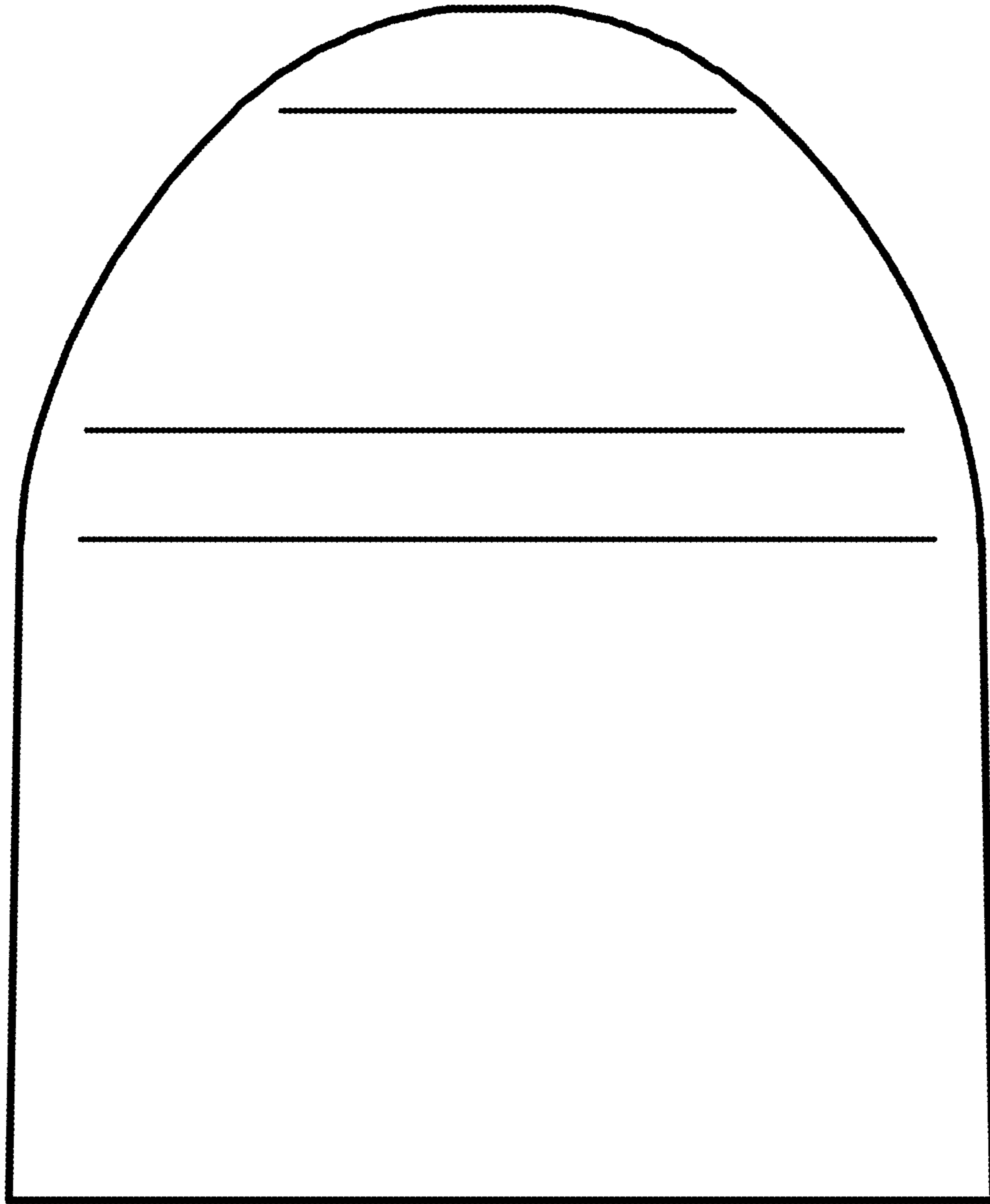


Figure 11

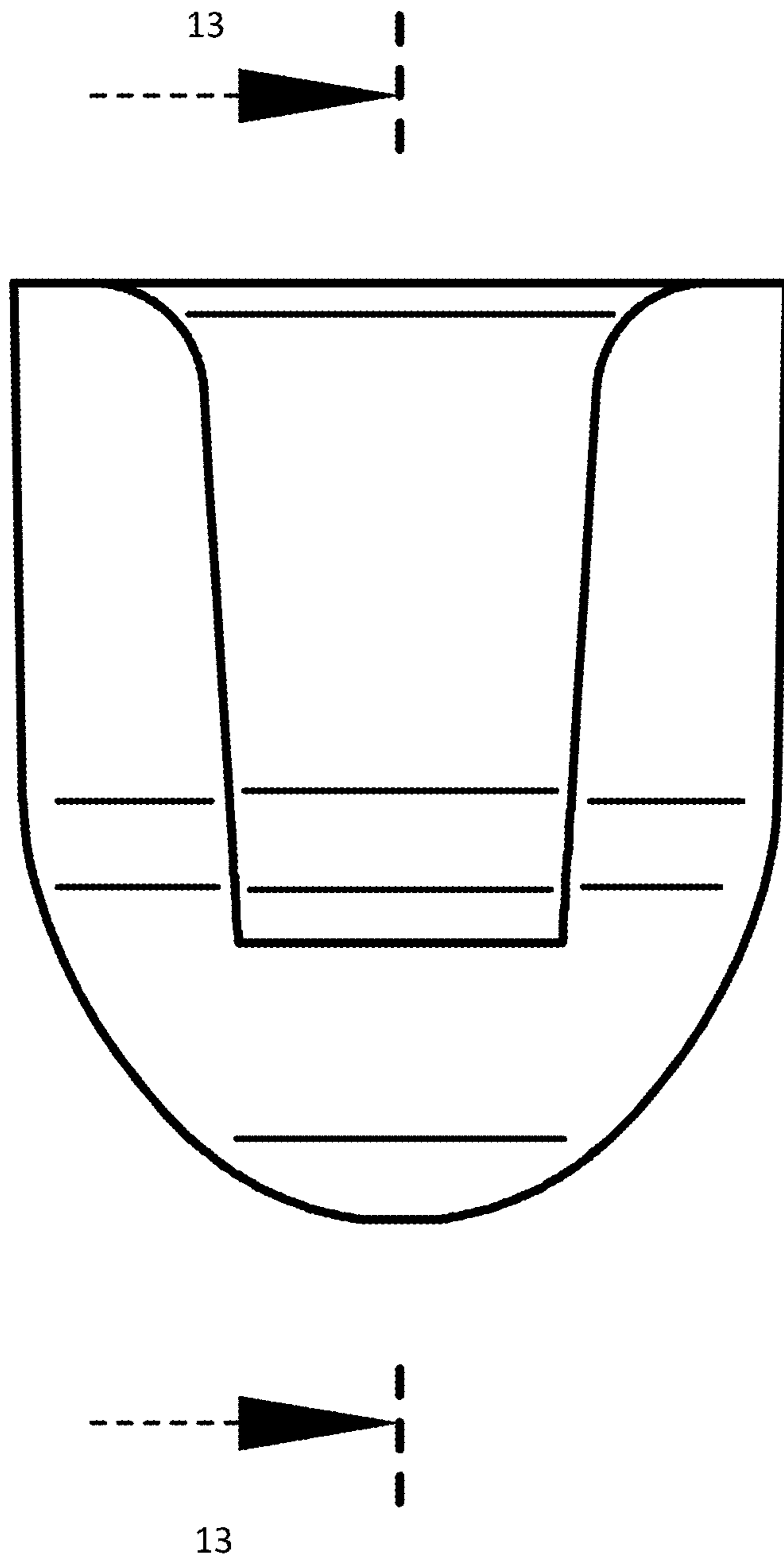


Figure 12

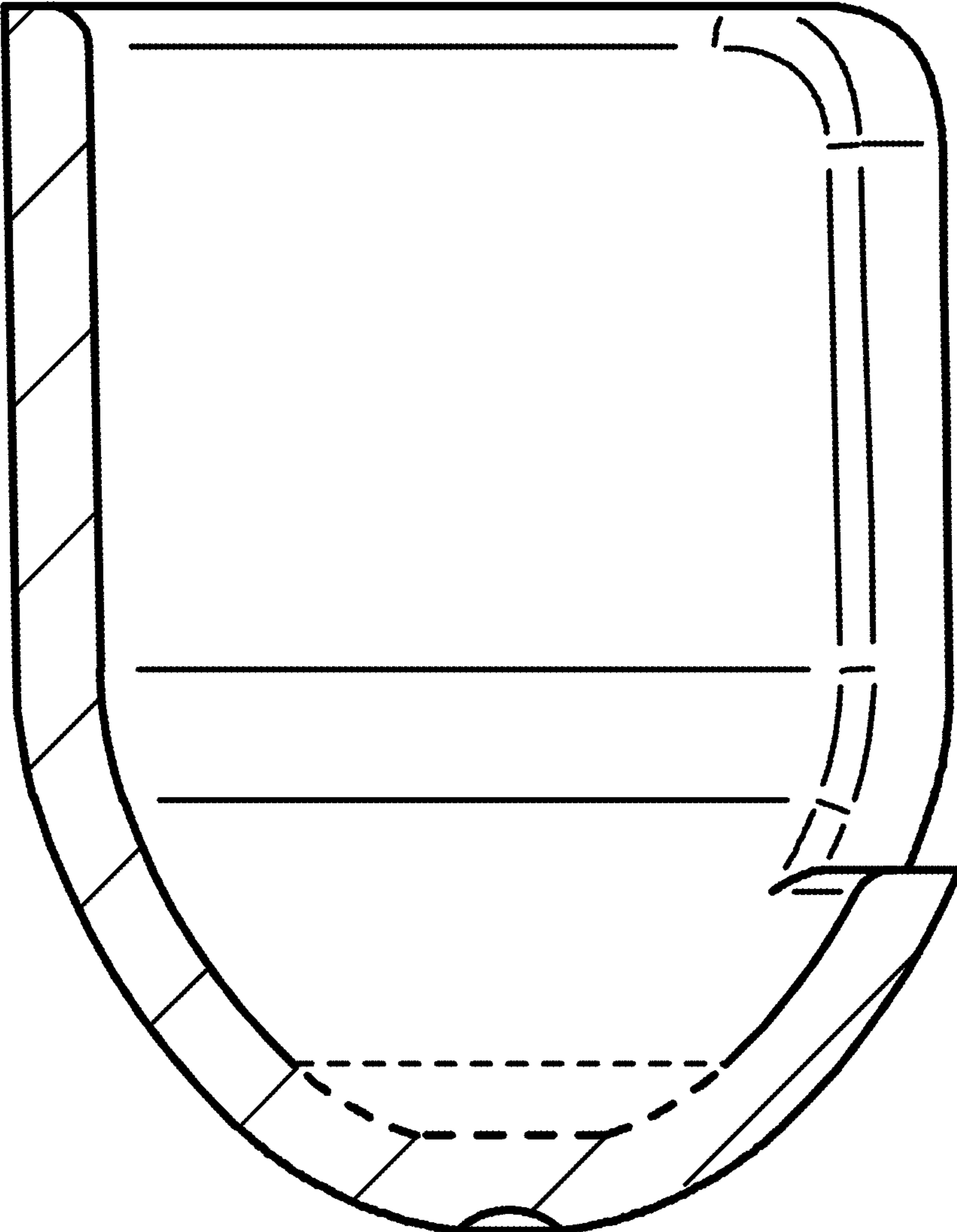


Figure 13

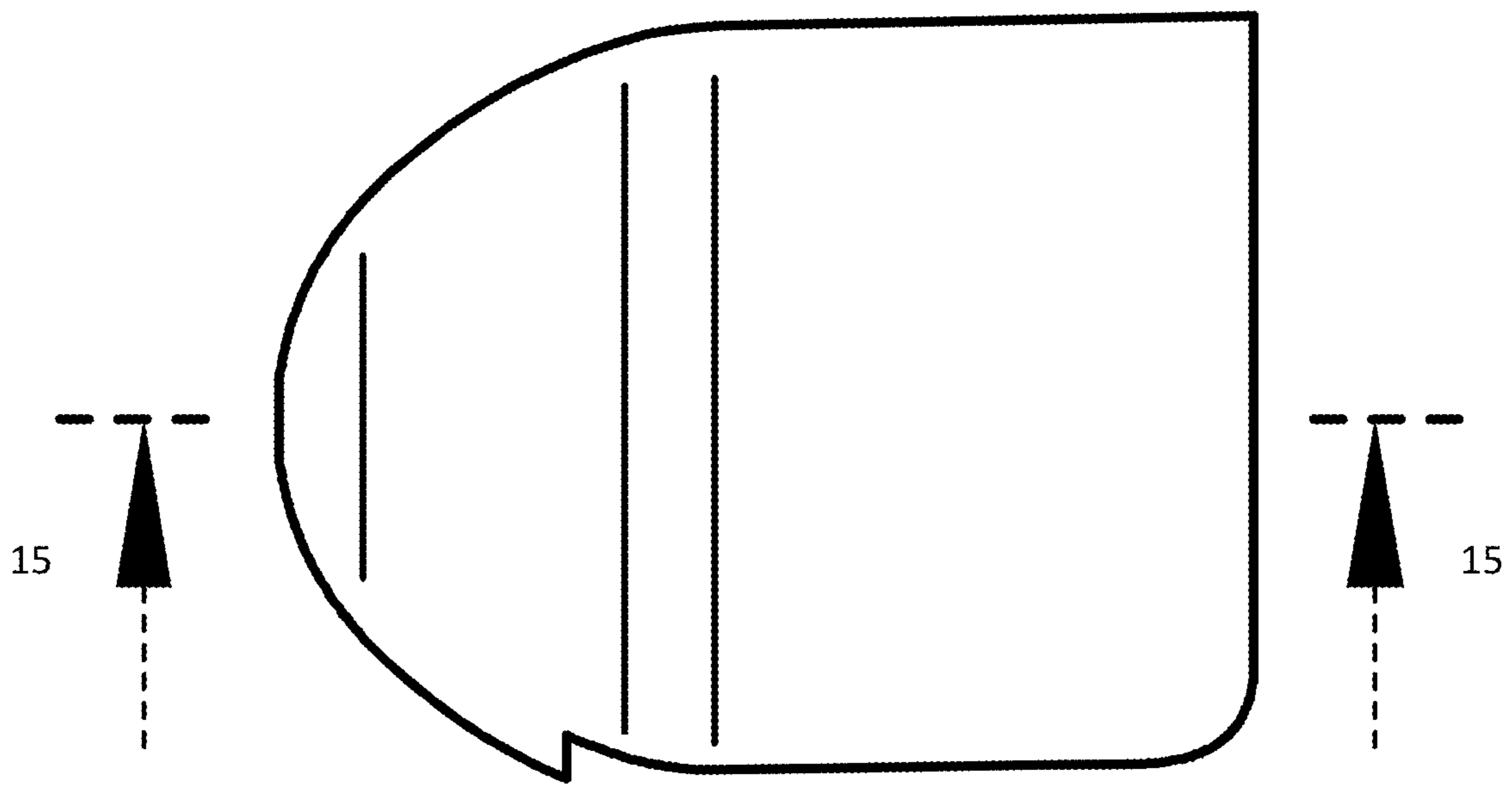


Figure 14



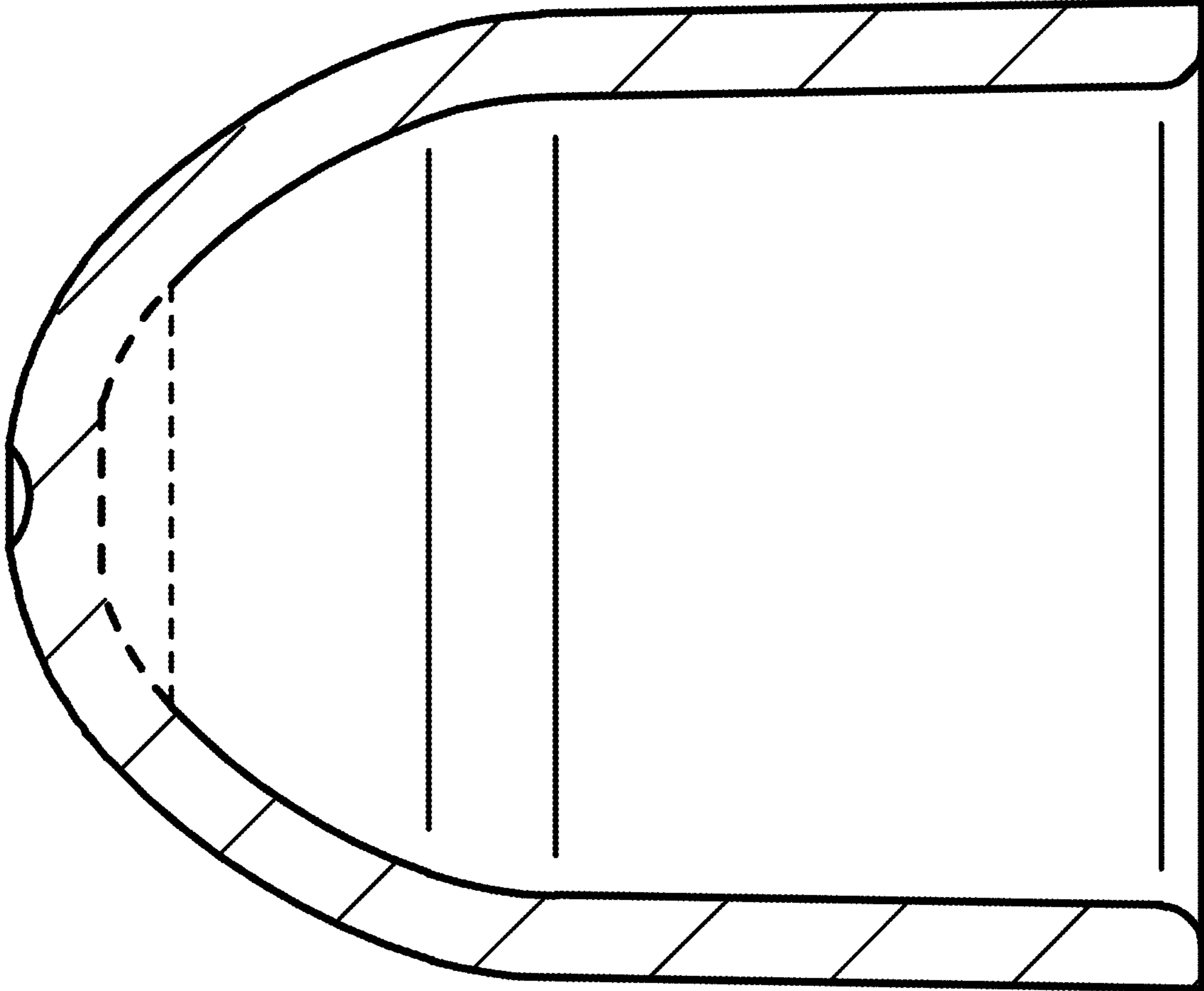


Figure 15